



CATALOGUE DE PIECES DETACHEES SPARE PARTS CATALOGUE



A00 - MOTEUR & FLUIDES - <i>ENGINE & LIQUIDS</i>	7
A11 - CARTER CYLINDRES - <i>CYLINDER BLOC</i>	11
A12 - ATTELAGE MOBILE - <i>CRANK DRIVE</i>	15
A14 - DISTRIBUTION - <i>TIMING</i>	19
A15 - GRAISSAGE MOTEUR - <i>ENGINE LUBRICATION</i>	23
A16 - POMPE A EAU - <i>WATER PUMP</i>	35
A21 - REPARTITEUR ADMISSION - <i>INTAKE MANIFOLD</i>	39
A23 - INJECTION - <i>INJECTION</i>	45
A26 - ALIMENTATION AIR - <i>AIR INTAKE</i>	51
A27 - SURALIMENTATION - <i>TURBO CIRCUIT</i>	59
A27 - SURALIMENTATION 2024 - <i>TURBO CIRCUIT 2024</i>	69
A31 - ALTERNATEUR - <i>ALTERNATOR</i>	73
A32 - DEMARREUR - <i>STARTER</i>	77
A33 - ALLUMAGE - <i>IGNITION</i>	81
A36 - BOITIER ELECTRONIQUE MOTEUR - <i>ENGINE CONTROL UNIT</i>	85
A37 - CAPTEURS ET ACTIONNEURS - <i>SENSORS AND ACTUATORS</i>	89
A41 - COLLECTEUR D'ÉCHAPPEMENT - <i>EXHAUST MANIFOLD</i>	95
B12 - RADIATEUR EAU - <i>WATER RADIATOR</i>	99
B12 - RADIATEUR EAU 2024 - <i>WATER RADIATOR 2024</i>	105
B21 - ÉCHAPPEMENT - <i>EXHAUST LINE</i>	109
C11 - EMBRAYAGE - <i>CLUTCH</i>	113
C23 - BV - <i>GEARBOX</i>	117
C231 - BV – LIGNE PRIMAIRE - <i>GEARBOX – PRIMARY GEARTRAIN</i>	123
C232 - BV – LIGNE SECONDAIRE - <i>GEARBOX – SECONDARY GEARTRAIN</i>	126

SOMMAIRE / TABLE OF CONTENTS

C233 - BV – PORTE COURONNE - GEARBOX – REAR CONNECTION TUBE	129
C234 - BV – SELECTION INTERNE - GEARBOX – GEAR SELECTOR	132
C235 - BV – DIFFERENTIEL AVANT - GEARBOX – FRONT DIFFERENTIAL	137
C235_2 - BV – RENVOI TRANSMISSION LONGI - GEARBOX – REAR OUTPUT LINE	140
C235_3 - BV – SORTIE TRANSMISSION AVD - GEARBOX – FRONT RIGHT OUTPUT	145
C236_1 - BV – CARTER PRINCIPAL - GEARBOX – MAIN HOUSING	148
C236_2 - BV – CARTER INTERMEDIAIRE - GEARBOX – INTERMEDIARY HOUSING	153
C236_3 - BV – CARTER CASSETTE - GEARBOX – CLUSTER HOUSING	158
C237 - BV – LUBRIFICATION - GEARBOX – LUBRICATION	163
C24 - ECHANGE THERMIQUE BV - GEARBOX COOLING	166
C25 - COMMANDE D’EMBRAYAGE - CLUTCH COMMAND	174
C29 - PILOTAGE EMBRAYAGE ARBRE LONGITUDINAL (PEAL) - REAR DIFF CLUTCH COMMAND	177
C34 - PONT ARRIERE - REAR DIFFERENTIAL	185
C342 - PONT – ARBRE D’ENTREE - REAR DIFF – INPUT SHAFT	189
C343_1 - PONT – BOITIER DIFFERENTIEL - REAR DIFF – DIFFERENTIAL LINE	192
C343_2 - PONT – DIFFERENTIEL - REAR DIFF – DIFFERENTIEL	195
C344 - PONT – LUBRIFICATION - REAR DIFF – LUBRICATION	198
C345 - PONT – CARTERS - REAR DIFF – CARTERS	201
C35 - PURGE DE PONT ARRIERE - REAR DIFF BLEEDING	206
C61 - TRANSMISSION LONGITUDINALE - PROP SHAFT	210
C71 - TRANSMISSIONS LATERALES - DRIVESHAFTS	214
C82 - REFROIDISSEMENT DE PONT AR - REAR DIFF COOLING	220
D11 - SUPPORTS GMP - POWER UNIT MOUNTS	226
E11 - BERCEAU AVANT - FRONT CROSSMEMBER	232
E12 - TRIANGLE AVANT - FRONT WISHBONE	236

SOMMAIRE / TABLE OF CONTENTS

E13-E24 - PIVOT - UPRIGHT	240
E14_1 - SUSPENSION AV ASPHALTE - TARMAC FRONT SUSPENSION.....	254
E14_2 - SUSPENSION AV TERRE - GRAVEL FRONT SUSPENSION	258
E15 - BARRE ANTI ROULIS AVANT - FRONT ANTI ROLL BAR	262
E21 - BERCEAU ARRIERE - REAR SUBFRAME.....	266
E22 - TRIANGLE ARRIERE - REAR WISHBONE	270
E23 - BIELLETTE DE PINCE ARRIERE - REAR TRACK ROD	274
E25_1 - SUSPENSION AR ASPHALTE - TARMAC REAR SUSPENSION	278
E25_2 - SUSPENSION AR TERRE - GRAVEL REAR SUSPENSION	282
E26 - BARRE ANTI ROULIS ARRIERE - REAR ANTI ROLL BAR	286
E31 - JANTES - RIMS	290
E41 - DIRECTION ASPHALTE & TERRE - STEERING TARMAC & GRAVEL.....	293
E42 - SOURCE PRESSION DA - POWER STEERING PUMP	297
E44 - BIELLETTE DE DIRECTION - STEERING ROD	307
E45 - COLONNE DE DIRECTION - STEERING COLUMN	311
F11 – F31 - DISQUES DE FREIN - ASPHALTE & TERRE - BRAKE DISCS - TARMAC & GRAVEL.....	319
F21 – F41 - ETRIERS FREIN - ASPHALTE & TERRE - BRAKE CALIPERS - TARMAC & GRAVEL.....	323
F22 - REFROIDISSEMENT FREINS - BRAKE COOLING.....	329
F63 - CIRCUIT DE FREINAGE - BRAKING SYSTEM	339
F71 - FREIN A MAIN - HANDBRAKE	351
G11 - PEDALIER - PEDAL BOX	357
G11_2 - PEDALIER EVO - EVO PEDAL BOX	367
G21 - COMMANDE BV - GEARBOX COMMAND	375
H11 - ENS CRIC HYDRAULIQUE - HYDRAULIC JACK	381
K3C - AILES AV - FRONT FENDERS	387

SOMMAIRE / TABLE OF CONTENTS

K4E - AILES AR - REAR FENDERS	391
K7A - PORTE AV - FRONT DOOR	395
K7A - PORTE AR - REAR DOOR	403
K7B - CAPOT - BONNET	413
K7C - HAYON - REAR TAILGATE	419
K9A - CAISSE ARCEAUTE - BODY SHELL	427
P1A - VITRES - GLASSES	431
R1A - BOUCLIER AVANT - FRONT BUMPER	439
R1B - BOUCLIER ARRIERE - REAR BUMPER	443
R5A - RETROVISEURS EXTERIEURS - SIDE MIRRORS	447
R5E - SANGLE ROUE DE SECOURS - SPARE WHEEL STRAP	451
R5F - SANGLE DE REMORQUAGE - TOWING STRAP	455
R6A - SKIS / TRAVERSE AVANT - GUARDS	459
R6C - PROTECTION - PROTECTION	473
S1A - PLANCHE DE BORD - DASHBOARD	493
S1C-S3A - CONSOLE / DASHBOARD - CENTRAL PANEL / DASHBOARD	497
T3C - EXTINCTEUR - EXTINGUISHER	503
T3L - PROTECTION INTERIEURE - COCKPIT PROTECTION	509
T4A - RESERVOIR D'ESSENCE - FUEL TANK	513
T5B - EQUIPEMENTS INTERIEURS - COCKPIT EQUIPMENT	523
U1A - HARNAIS - SAFETY BELT	529
V1B - VENTILATION HABITACLE - CAR VENTING	533
V1B_2 - VENTILATION HABITACLE 2024 - CAR VENTING 2024	537
V2A - GROUPE CHAUFFAGE - HEATING DEVICE	542
Y1A - ASSISE AV - SEATS	546

SOMMAIRE / TABLE OF CONTENTS

Z1A - PROJECTEURS AV - HEADLIGHTS	552
Z1C - BATTERIE - BATTERY	556
Z2C - RAMPE DE PHARE - HEADLIGHT RAMP.....	560
Z2F - FEUX ARRIERE - REAR LIGHT	564
Z9J - ENS FAISCEAUX MOTEUR - ENGINE LOOM	568
Z9S - FAISCEAUX CHASSIS - CHASSIS LOOM.....	570

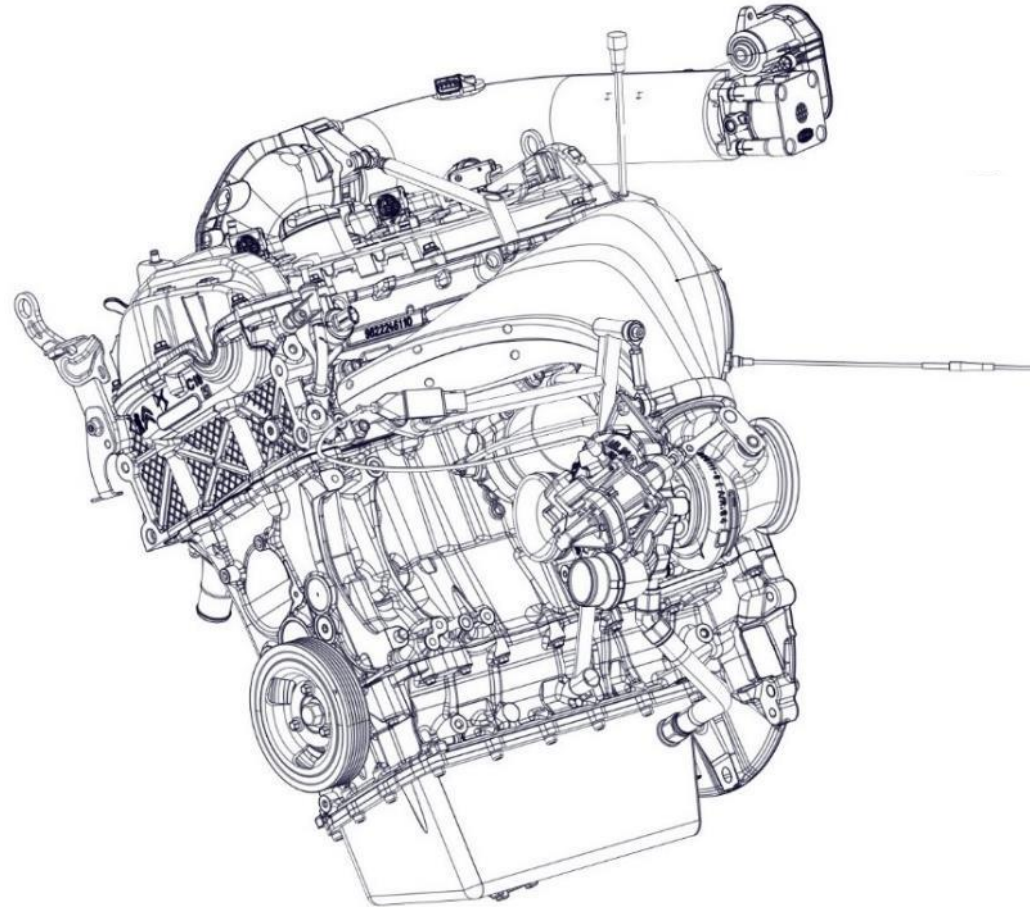


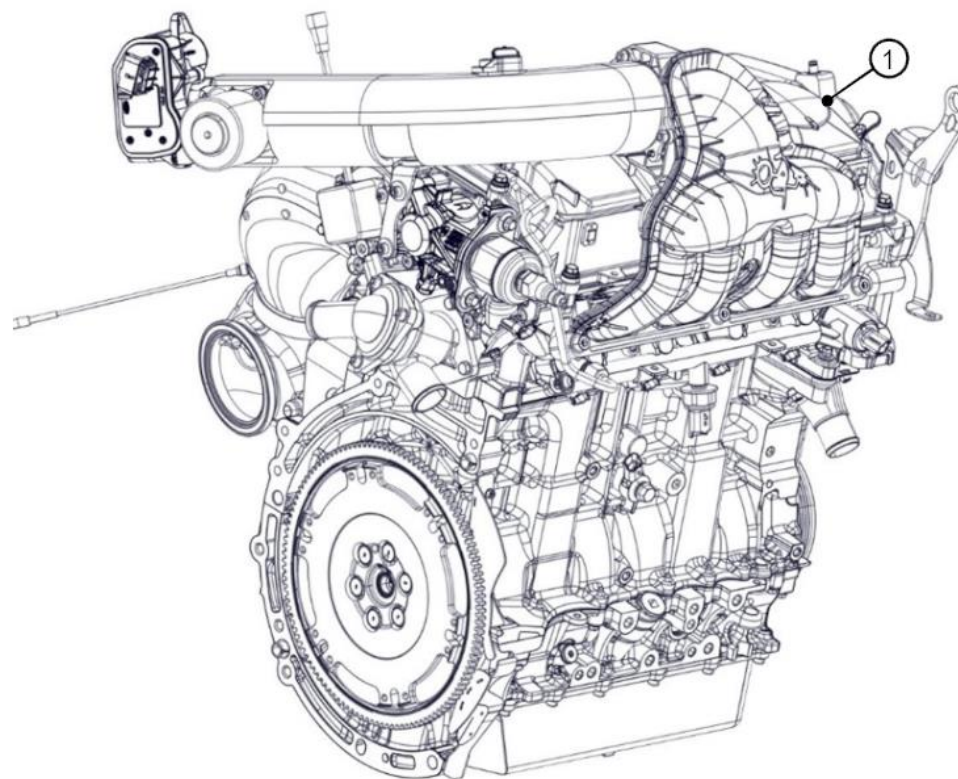
A00

MOTEUR & FLUIDES

ENGINE & LIQUIDS







REP	REFERENCE	QTE	DESIGNATION
1	904497778B	1	Moteur assemblé C3R5 <i>C3R5 Engine</i>
2	PS97727C10	1	Huile Quartz Ineo First 0W30 5L <i>Engine oil Quartz Ineo First 0W30 5L</i>
3*	0AXXQUARTZ	1	Huile Quartz Racing 10W50 5L <i>Engine oil Quartz Racing 10W50 5L</i>
4	1637756480	1	Liquide refroidissement -35°C 5L <i>Coolant -35°C 5L</i>
5	1615099680	3	Liquide direction et PEAL 1L <i>Steering & PEAL fluid 1L</i>
6	904895438A	3	Huile BV et Pont ELF HTX750 1L <i>Gearbox and diff oil ELF HTX750 1L</i>
7	PS97633A10	1	Liquide de frein Brembo 0,5L <i>Brake fluid Brembo 0 5l</i>

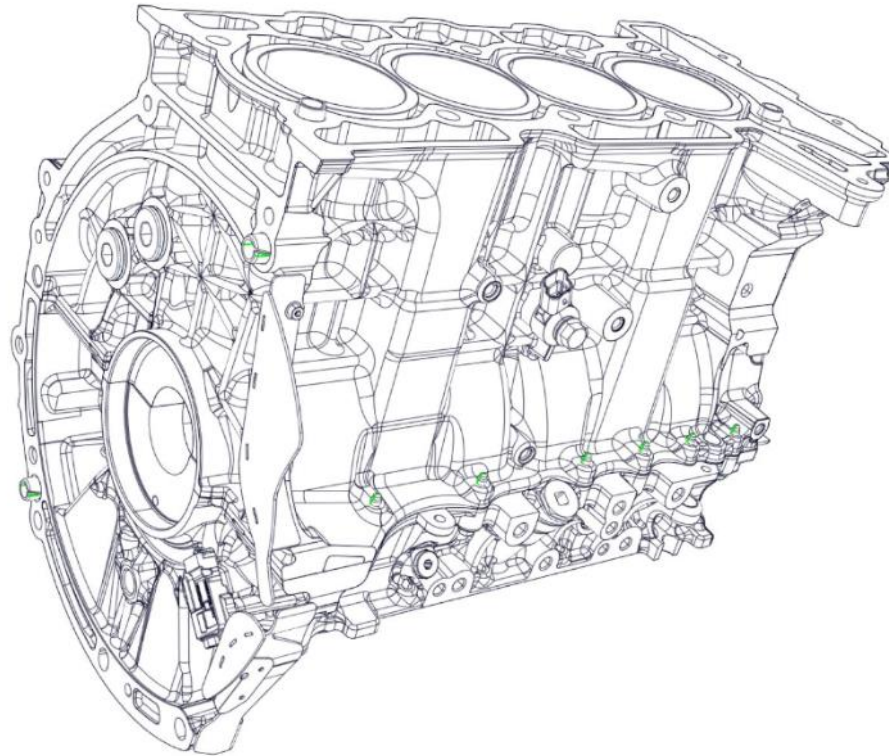
* : a utilisé seulement pour les essences à haut taux de dilution comme la P1 WRC
To use only with high dilution fuels like P1 WRC

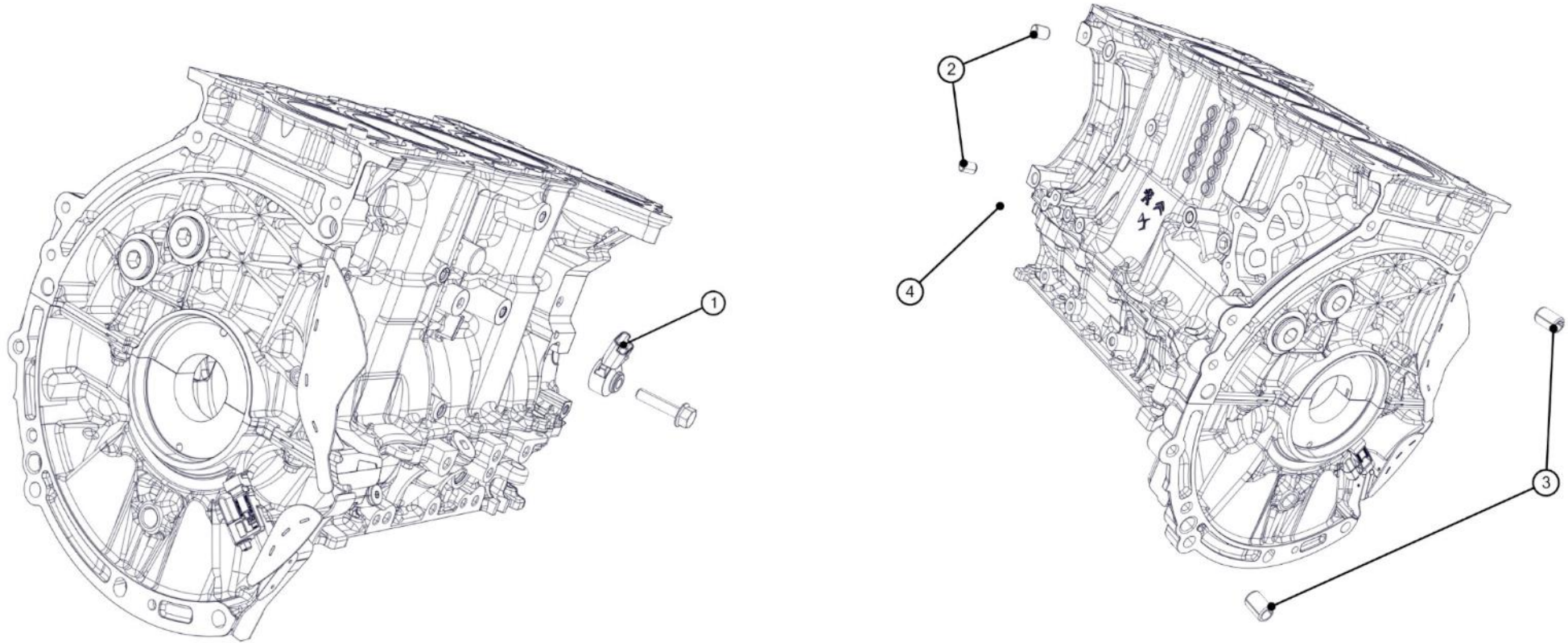
A11

CARTER CYLINDRES

CYLINDER BLOC





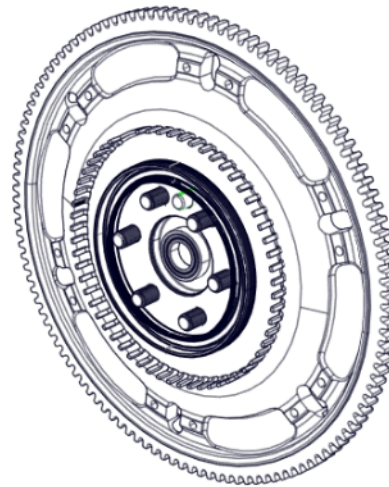
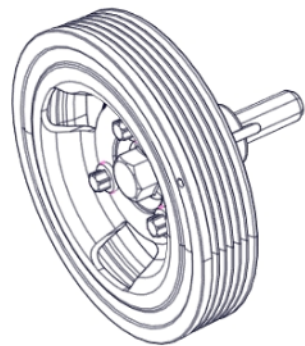


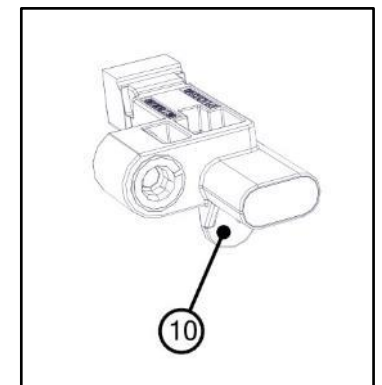
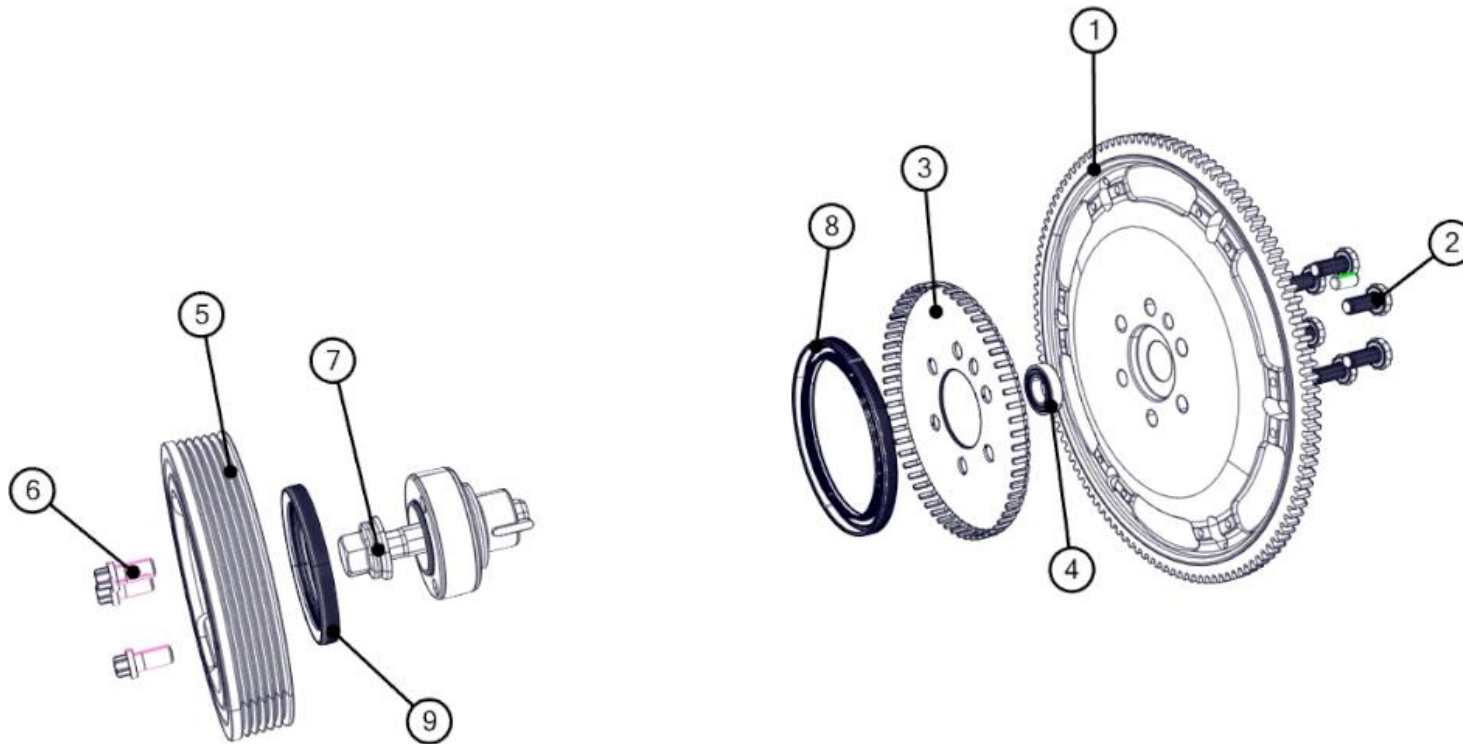
REP	REFERENCE	QTE	DESIGNATION
1	904476818B	1	n Capteur cliquetis câblé <i>Knock sensor</i>
2	9623511780	2	Goupille Diam 9x11-14 (pour l'alternateur) <i>Pin diam 9x11-14 (for alternator)</i>
3	6968-36	2	Goupille Diam 14x20 <i>Pin diam 14x20</i>
4	321107	1	Goupille support pompe DA 5x18 <i>PS pump bracket pin 5x18</i>



A12
ATTELAGE MOBILE
CRANK DRIVE





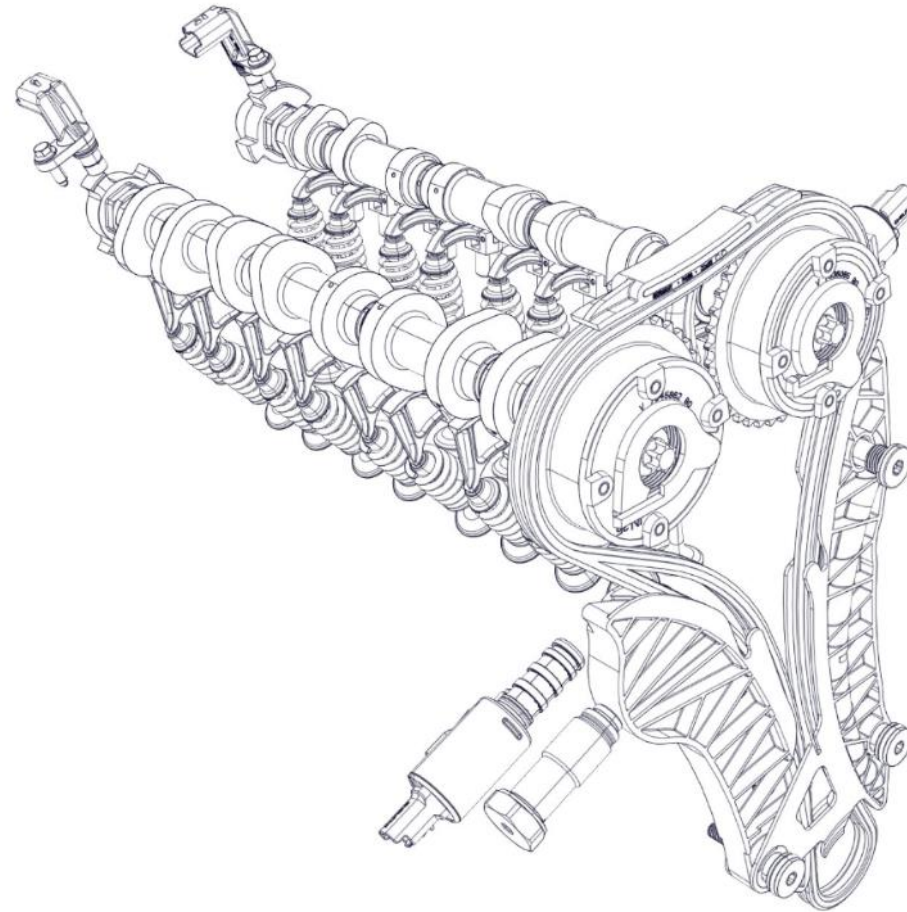


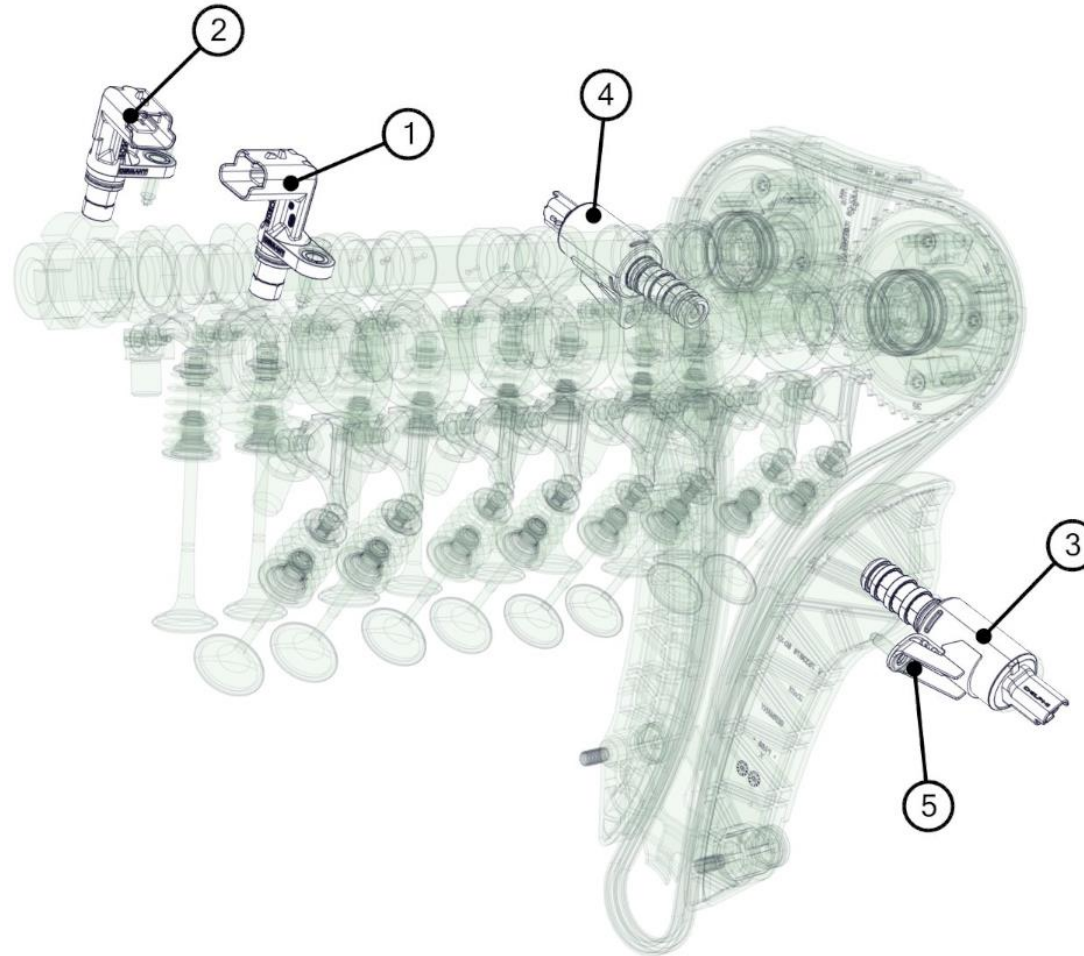
REP	REFERENCE	QTE	DESIGNATION
1	904460448C	1	n VOLANT MOTEUR EQUILIBRE <i>Flywheel C3R5</i>
2	0537-60	6	Vis fixation de volant moteur Ø9x125-2 <i>Flywheel bolt</i>
3	0532Q2	1	Cible détection <i>Engine target</i>
4	CS460005ST	1	Roulement à billes Ø15x28x7 <i>Bearing Ø15x28x7</i>
5	V763855180	1	POULIE <i>Accesory Pulley</i>
6	0516K5	3	VIS DE POULIE M8X16 <i>Pulley bolt</i>
7	904825948A	1	VIS DE POULIE <i>Pulley bolt</i>
8	9820978780	1	Joint spy Ø85x105x8 (côté BV) <i>Seal Ø85x105x8 (Gearbox side)</i>
9	1614085980	1	Joint spy Ø61x75x8 (côté accessoire, à monter à l'envers) <i>Seal Ø61x75x8 (accessory side, fitted upside down)</i>
10	904476798B	1	n Capteur régime moteur câblé <i>Engine rev sensor</i>



A14 DISTRIBUTION *TIMING*







REP	REFERENCE	QTE	DESIGNATION
1	904476808A	1	n Capteur SCAM admission cablé B6 R5 <i>Intake camshaft sensor</i>
2	904477648A	1	n Capteur SCAM echappement cablé B6 R5 <i>Exhaust camshaft sensor</i>
3	904476838C	1	n EV SCAM admission cablée B6 R5 <i>Intake electrovalve</i>
4	904477638B	1	n Vanos echappement cablé B6 R5 <i>Exhaust electrovalve</i>
5	904602798A	2	SUPPORT ELECTROVANNE <i>Electrovalve bracket</i>

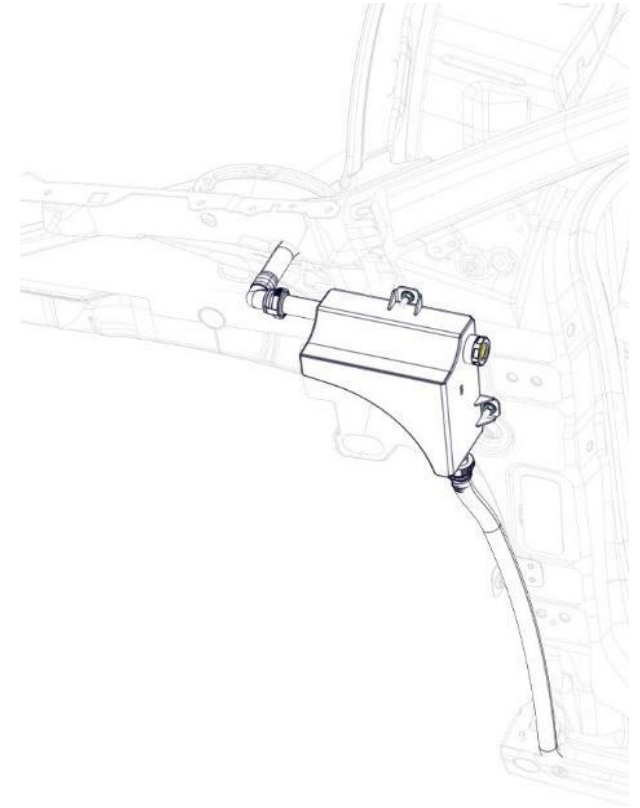
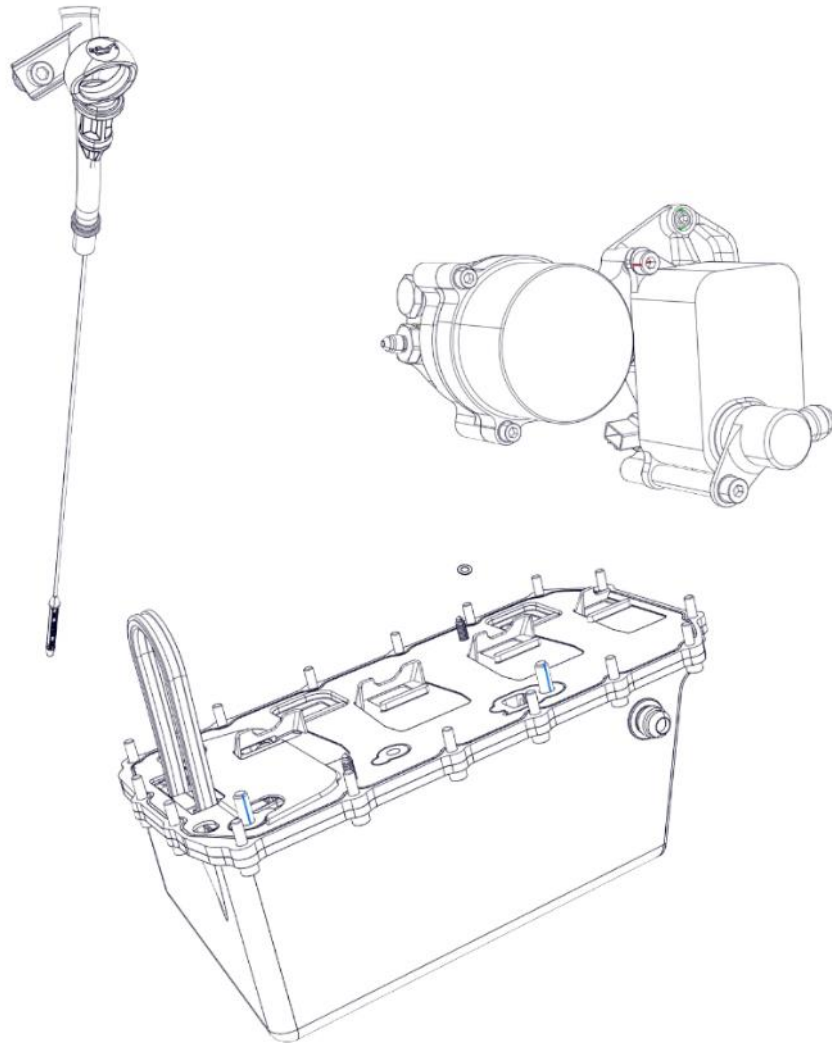


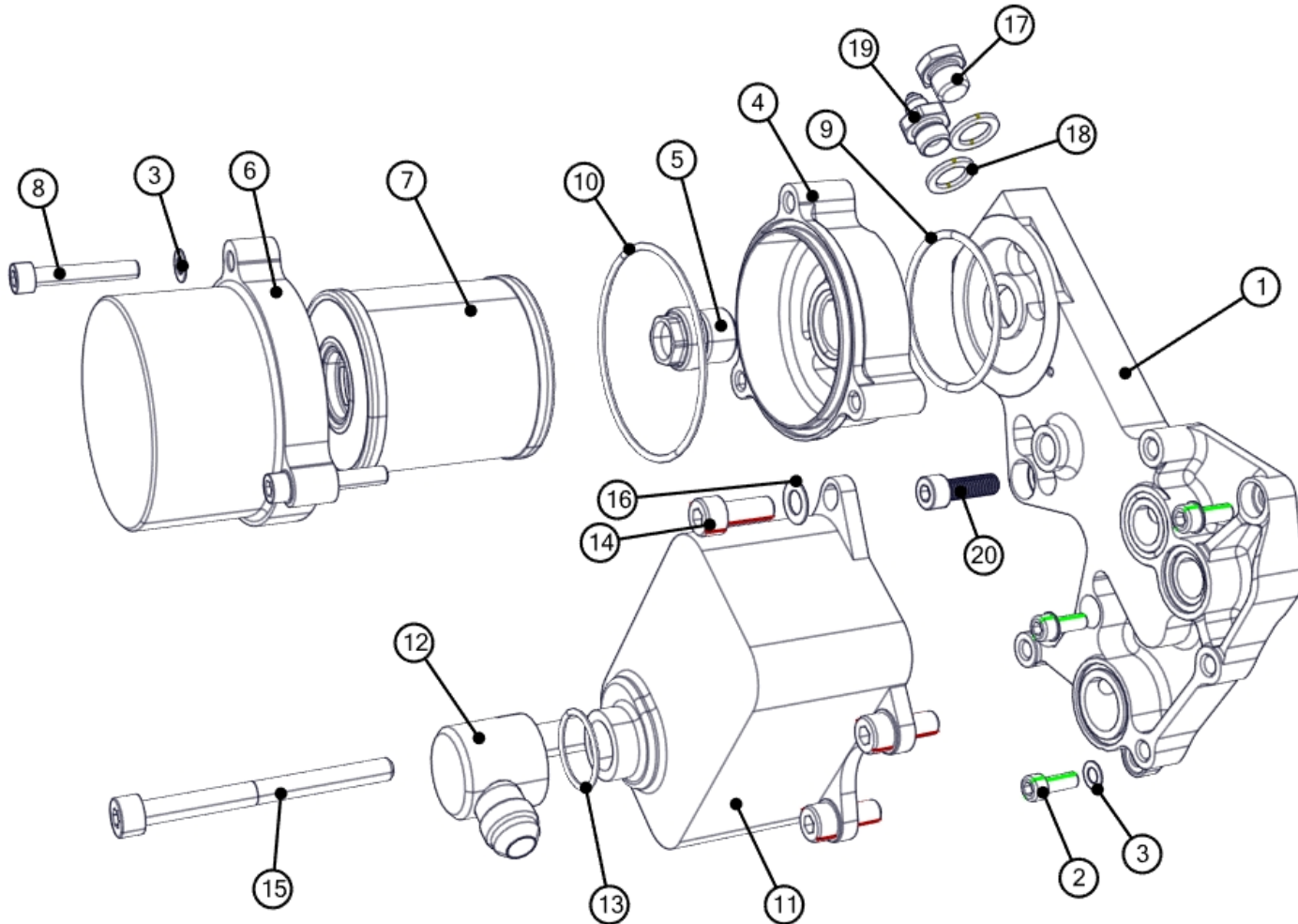
A15

GRAISSAGE MOTEUR

ENGINE LUBRICATION

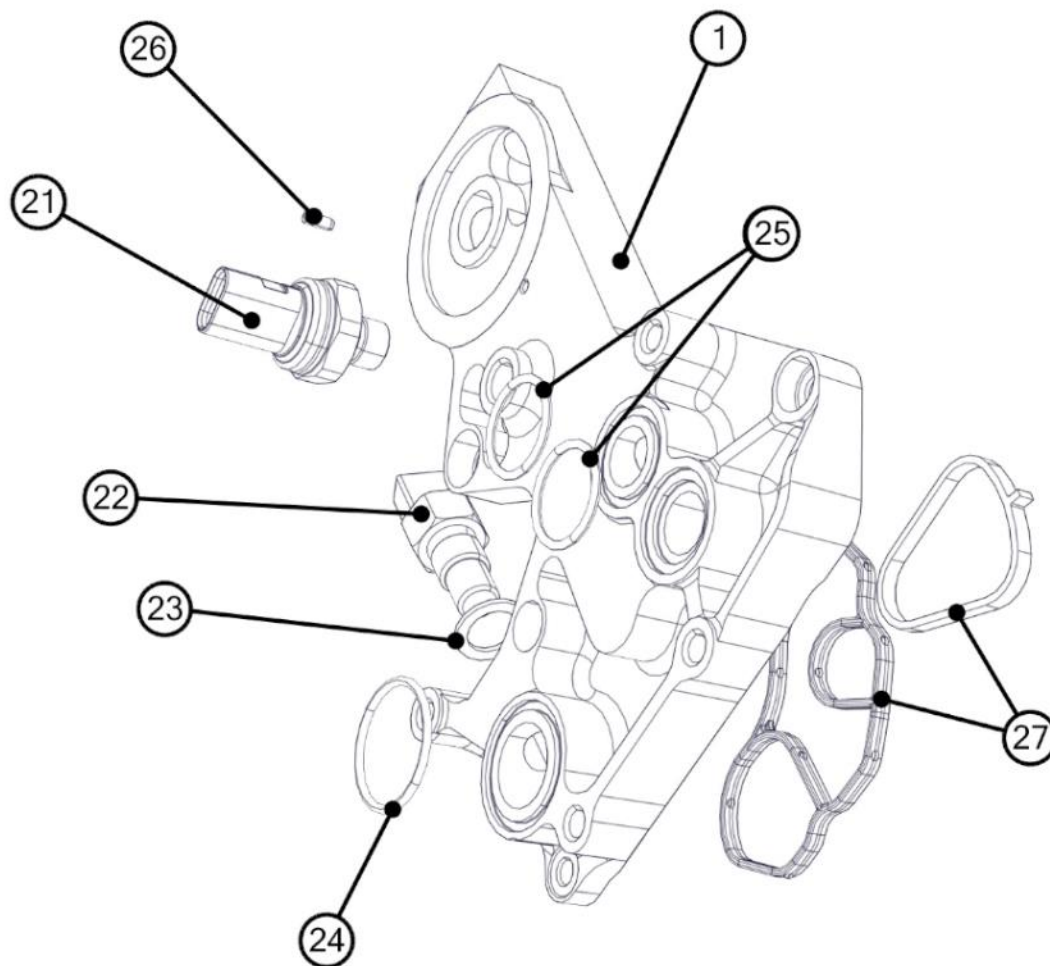




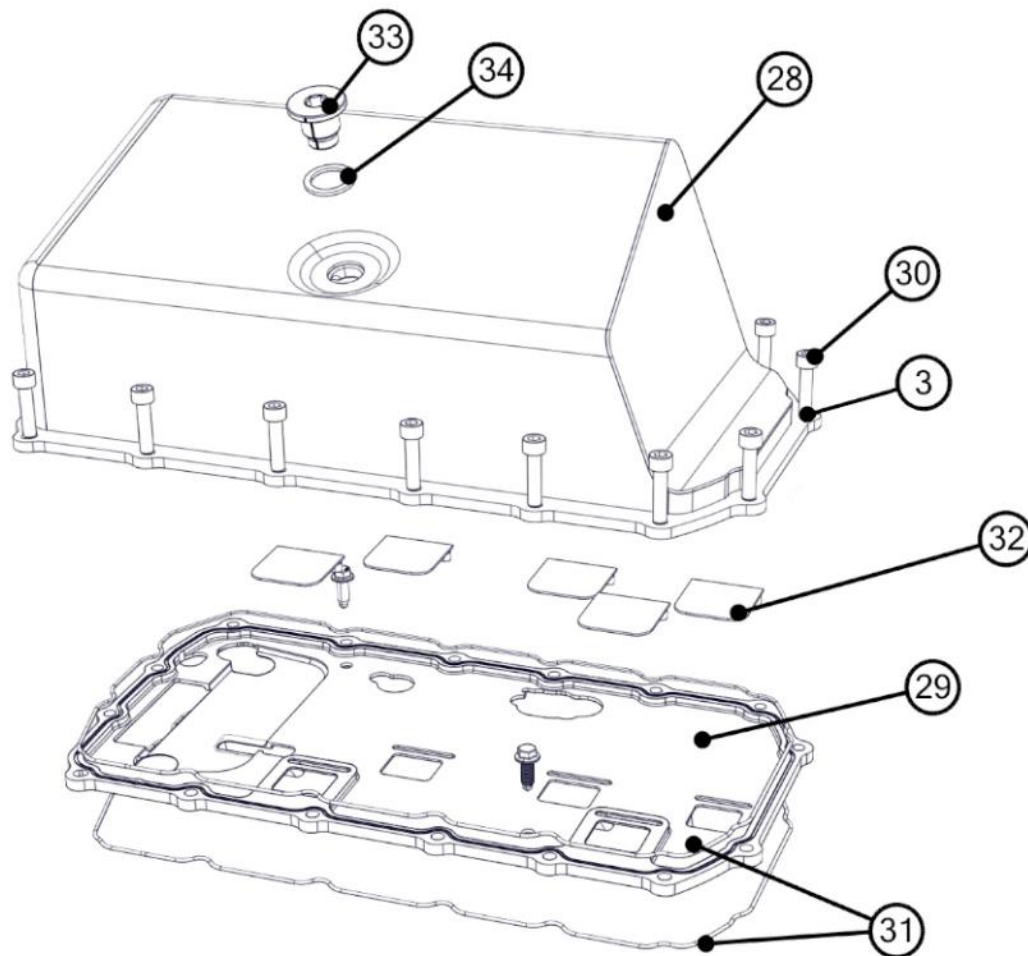


REP	REFERENCE	QTE	DESIGNATION
1	904472738C	1	PLAQUE MODINE MOTEUR <i>Engine oil exchanger mount</i>
2	691306	3	Vis CHC M6-16 cl 10.9 <i>Screw CHC M6-16 cl10,9</i>
3	PS86004A10	22	RONDELLE ONDULEE 6 TYPE A <i>Ond washer D6 type A</i>
4	0A1527487A	1	Embasse filtre à huile <i>Oil filter holder</i>
5	0A1527574B	1	Vis embasse filtre à huile <i>Oil filter holder screw</i>
6	0A1526877C	1	Cloche filtre à huile <i>Oil filter cover</i>
7	9818914980	1	FILTRE A HUILE <i>Oil filter</i>
8	PS82038A10	3	Vis CHC M6x35 cl.12.9 <i>CHC screw M6x35 cl 12.9</i>
9	PS77835A10	1	Joint torique Ø57,5x3 FKM <i>Oring Ø57,5x3 FKM 80SH</i>
10	PS77052A10	1	Joint torique Ø76x2,5 NBR <i>Oring Ø76x2,5 NBR 70sh</i>

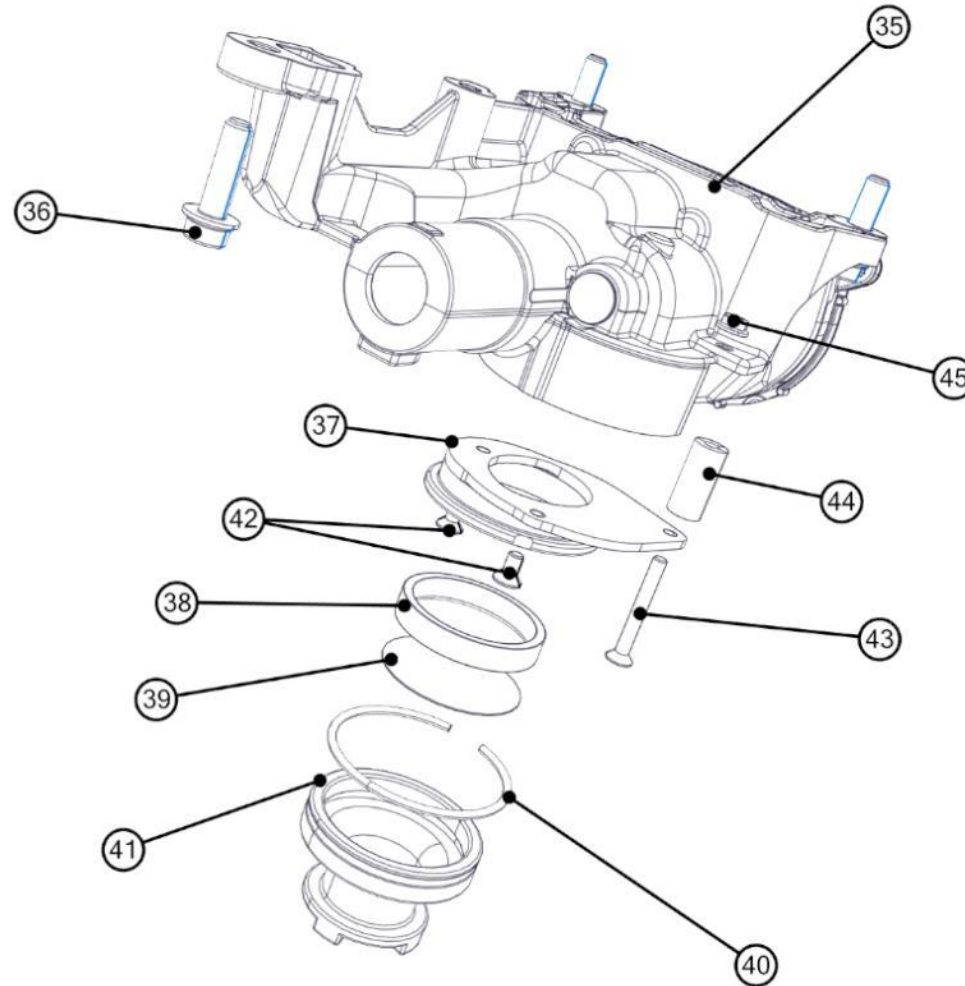
REP	REFERENCE	QTE	DESIGNATION
11	0B1325512B	1	Echangeur huile repris <i>Engine oil heat exchanger</i>
12	904484308A	1	Coude sortie modine <i>Heat exchanger exit adaptator</i>
13	PS77317A10	1	Joint torique Ø25x2 FKM 80 Sh <i>Oring Ø25x2 FKM 80 Sh</i>
14	4228-22	3	Vis CHC M8x20 <i>Screw CHC M8x20</i>
15	PS82137A10	1	Vis CHC M8x90 <i>Screw CHC M8x90</i>
16	PS86510A10	4	Rondelle ond. D8 type A <i>Ond washer D8 type A</i>
17	PS71145A10	1	BOUCHON ALU 14X150 MALE <i>Plug 14x150 Male</i>
18	0313-27	3	Joint Ø14x21x2 <i>Copper seal Ø14x21x2</i>
19	ST04100005	1	Adaptateur M14X1.5/DASH3 M/M <i>Adaptator M14x1.5 Dash3 M/M</i>
20	PS82091A10	1	VIS CHC M8x125 L25 ACIER <i>Screw CHC M8x125 L25</i>



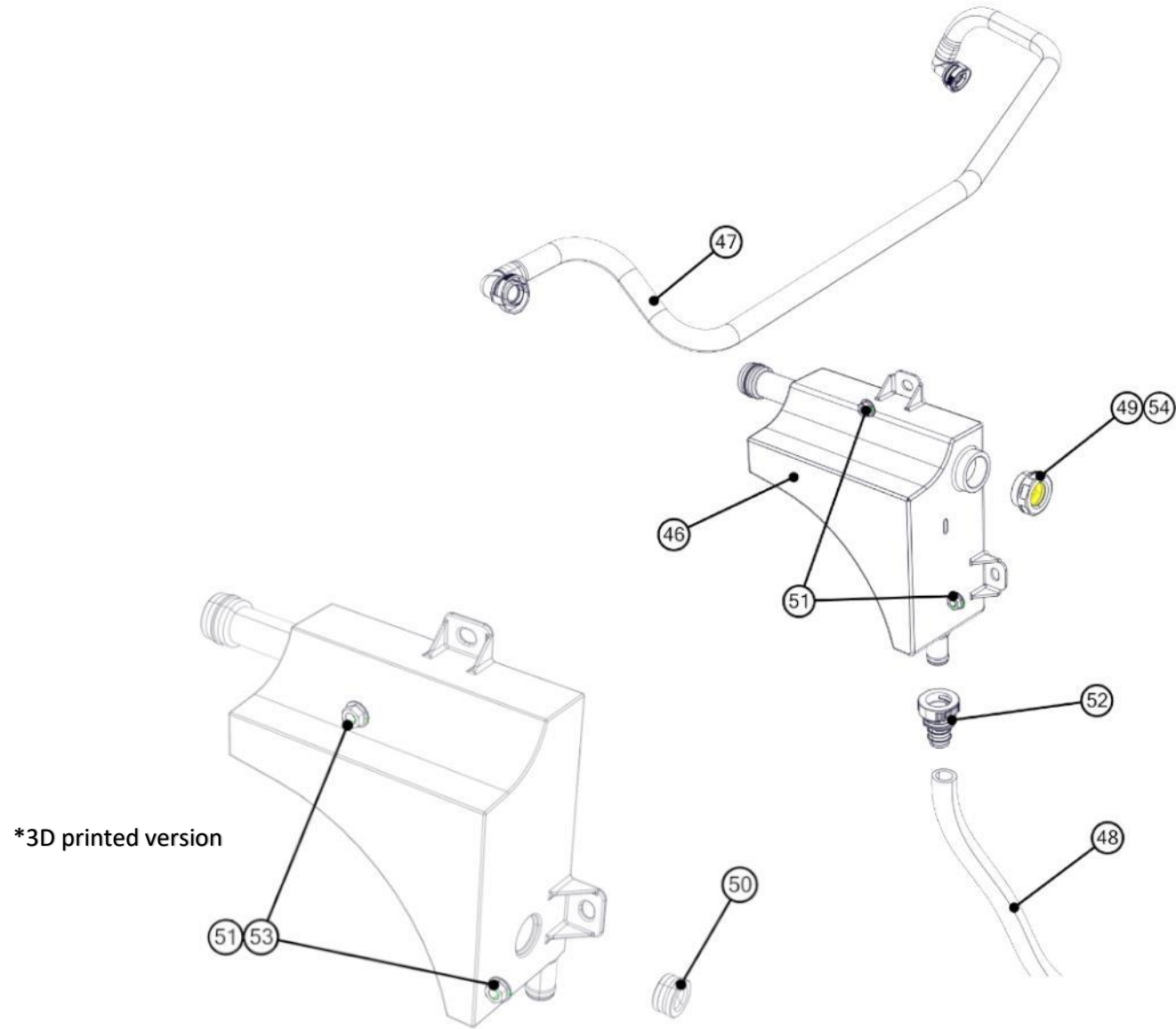
REP	REFERENCE	QTE	DESIGNATION
21	904476868B	1	Capteur pression huile cablé B6 R5 <i>Oil pressure sensor</i>
22	904476878C	1	Capteur température huile cablé B6 R5 <i>Oil Temperature sensor</i>
23	PS81052A10	1	Joint cuivre 14x20x1,5 <i>Copper washer 14x20x1,5</i>
24	PS77027A10	1	Joint torique Ø28x2 <i>Oring Ø28x2</i>
25	PS77852A10	2	Joint torique Ø21x2 FKM 80SH <i>Oring Ø21x2 FKM 80SH</i>
26	PS78646A10	1	Goupille cylindrique Ø3x8 m6 BN857 <i>Pin Ø3x8 m6 BN857</i>
27	1613571980	1	POCHETTE JOINTS <i>Seal kit</i>



REP	REFERENCE	QTE	DESIGNATION
3	PS86004A10	22	RONDELLE ONDULEE 6 TYPE A <i>Ond washer D6 type A</i>
28	904496018D	1	CARTER HUILE <i>Oil sump</i>
29	904476998B	1	PLAQUE ANTIEMULSION <i>Oil breather plate</i>
30	PS82017A10	16	Vis CHC M6x25 <i>Screw CHC M6x25</i>
31	PS77919A10	2	Joint corde torique Ø1,78 Viton L:1200mm <i>Sump seal</i>
32	619026-02	5	Clapet de carter <i>Sump valve</i>
33	31139	1	BOUCHON VIDANGE M16X1,5 <i>Drain plug M16x1,5</i>
34	PS81564A10	1	Joint cuivre Ø16.5x22x1.5 <i>Copper seal Ø16.5x22x1.5</i>



REP	REFERENCE	QTE	DESIGNATION
35	904498448B	1	POMPE A HUILE <i>Oil pump</i>
36	1011-30	3	Vis à embase M8x28 <i>Flange Nut M8x28</i>
37	904484988A	1	SUPPORT CREPINE <i>Suction screen mount</i>
38	904477208A	1	CALE DE TAMIS <i>Suction screen spacer</i>
39	0A1570620A	1	Tamis circulaire <i>Suction screen</i>
40	0A1570623A	1	Jonc <i>Ring</i>
41	0A1570622A	1	Manchon <i>Strainer</i>
42	PS82699A10	2	VIS FHC 90° M5X080 L10 CL10.9 <i>Screw FHC 90° M5X080 L10 CL10.9</i>
43	PS85562A10	1	VIS FHC 90° M5X080 L40 CL12.9 <i>Screw FHC 90° M5X080 L40 CL12.9</i>
44	0A1563489B	1	Entretoise serrage crépine ppe huile A55 <i>Suction screen tightening spacer</i>
45	6936-67	1	Ecrou à embase STD M5x5x8 <i>Flange nut M5x5x8</i>

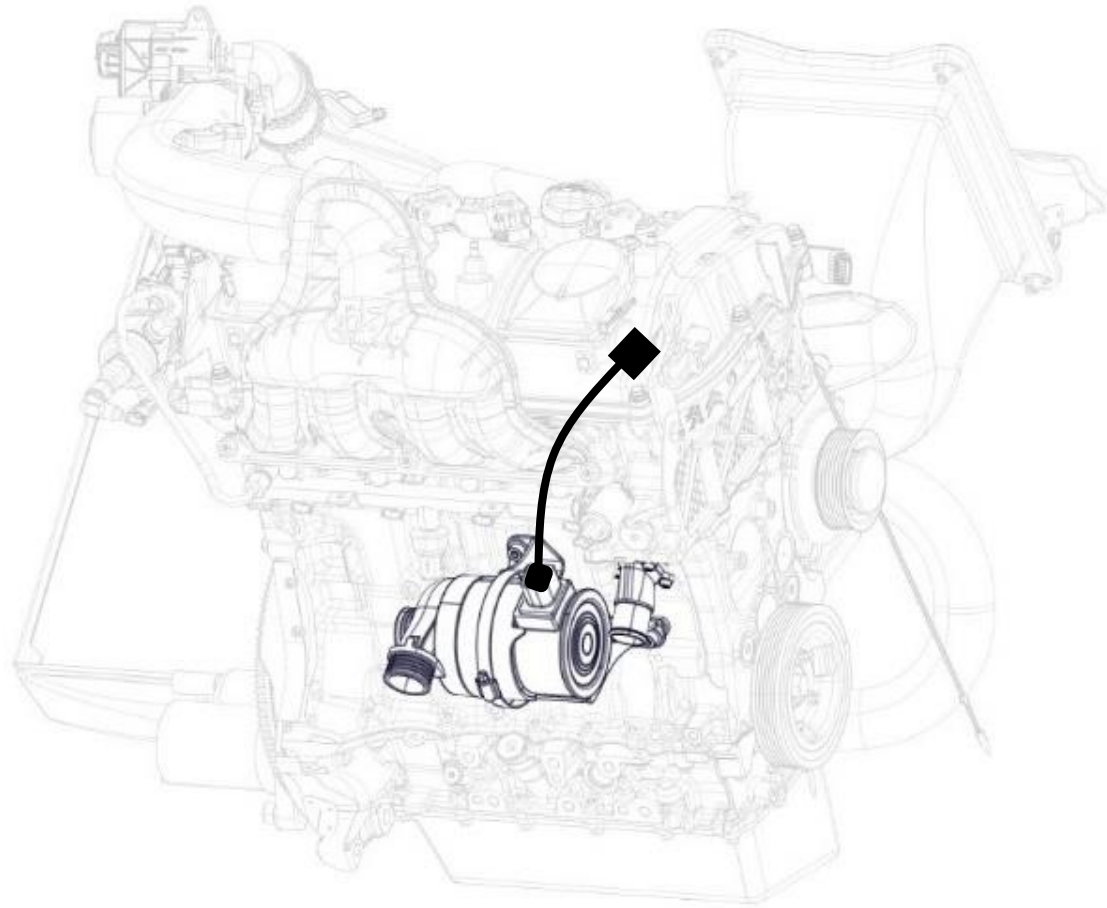


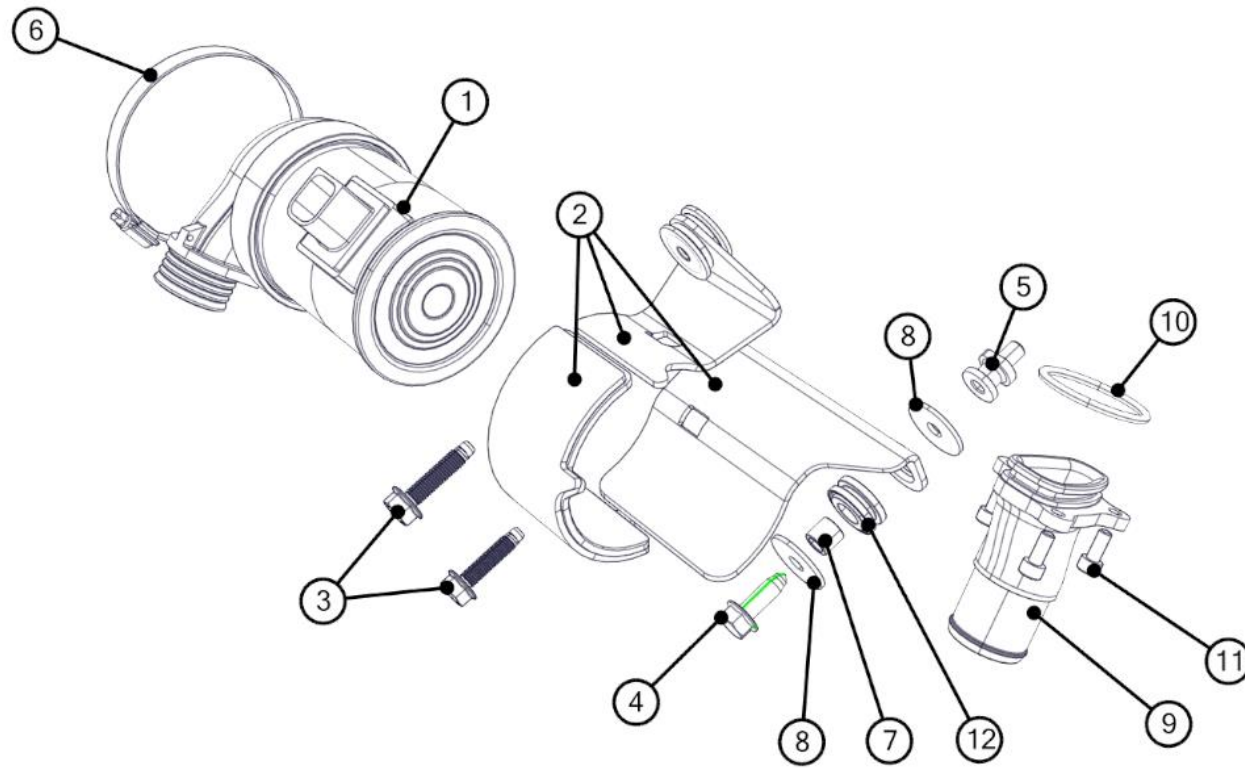
REP	REFERENCE	QTE	DESIGNATION
46	904848738A	1	BOITE RECUPERATEUR HUILES USAGEES <i>Engine oil catch tank</i>
47	904482808E	1	TUYAU DE DEGAZAGE <i>Degazing hose</i>
48	PS69789A10	1	TUYAU CONVOLUTE L550 <i>Output hose</i>
49	90344293-A	1	INDICATEUR NIVEAU pour boite tampon alu <i>Level indicator for aluminium catch tank</i>
50*	904849518A	1	INDICATEUR NIVEAU Ø20 pour boite tampon ref 904848738A <i>Ø20 Level indicator for catch tank ref 904848738A</i>
51	6936A9	2	ECROU H EMB M6X100 <i>H Nut M6x100</i>
52	PS73143A10	1	Raccord droit <i>Coupling straight</i>
53*	694737	2	RONDELLE PLATE 6X22X1.5 <i>Washer 6X22X1.5</i>
54	PS81052A10	1	JOINT CUIVRE <i>Copper washer</i>



A16
POMPE A EAU
WATER PUMP







REP	REFERENCE	QTE	DESIGNATION
1	904626248A	1	Pompe à eau câblée <i>Wired water pump</i>
2	904652078A	1	Support pompe à eau <i>Water pump bracket</i>
3	9802558580	2	VIS H EMB M8x125 – 35 <i>Screw H M8x125 - 35</i>
4	6925P2	1	VIS H EMB M8x125 – 25 <i>Screw H M8x125 - 25</i>
5	904452658A	1	Bobine <i>Spacer</i>
6	PS91515A10	1	Collier D87x112 <i>Collar D87x112</i>
7*	904652308B	3	ENTRETOISE SILENT BLOC <i>Silent bloc spacer</i>
8	6948-34	6	RONDELLE-D8X30-2 <i>Washer D8x30-2</i>
9	0A1626420A	1	Bride entrée eau <i>Water inlet pipe</i>
10	PS77022A10	1	Joint torique Ø37,46x3 <i>Oring Ø37,46x3</i>
11	PS82027A10	3	Vis CHC M5x12 cl.12.9 <i>Screw CHC M5x12</i>
12	0384L3	3	SILENT BLOC <i>Silent bloc</i>

* = non représenté / not illustrated

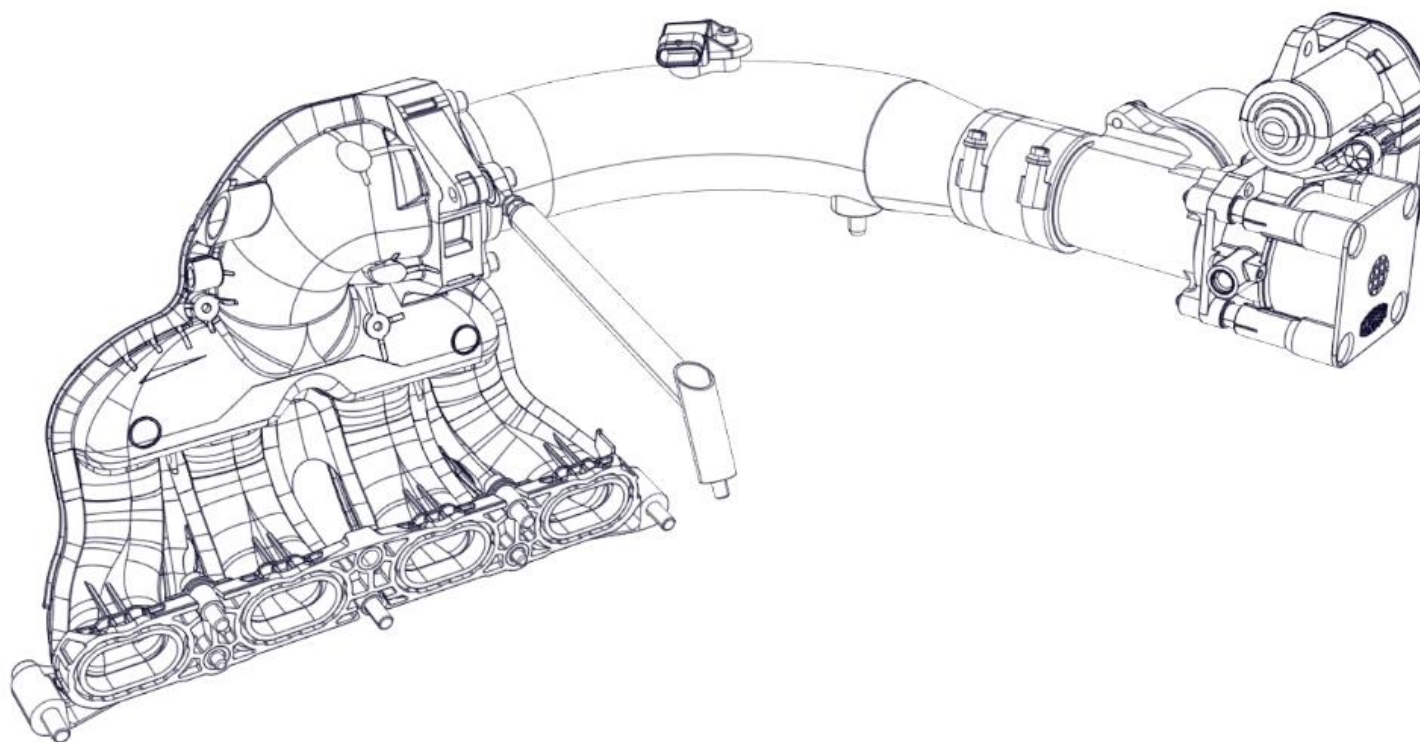


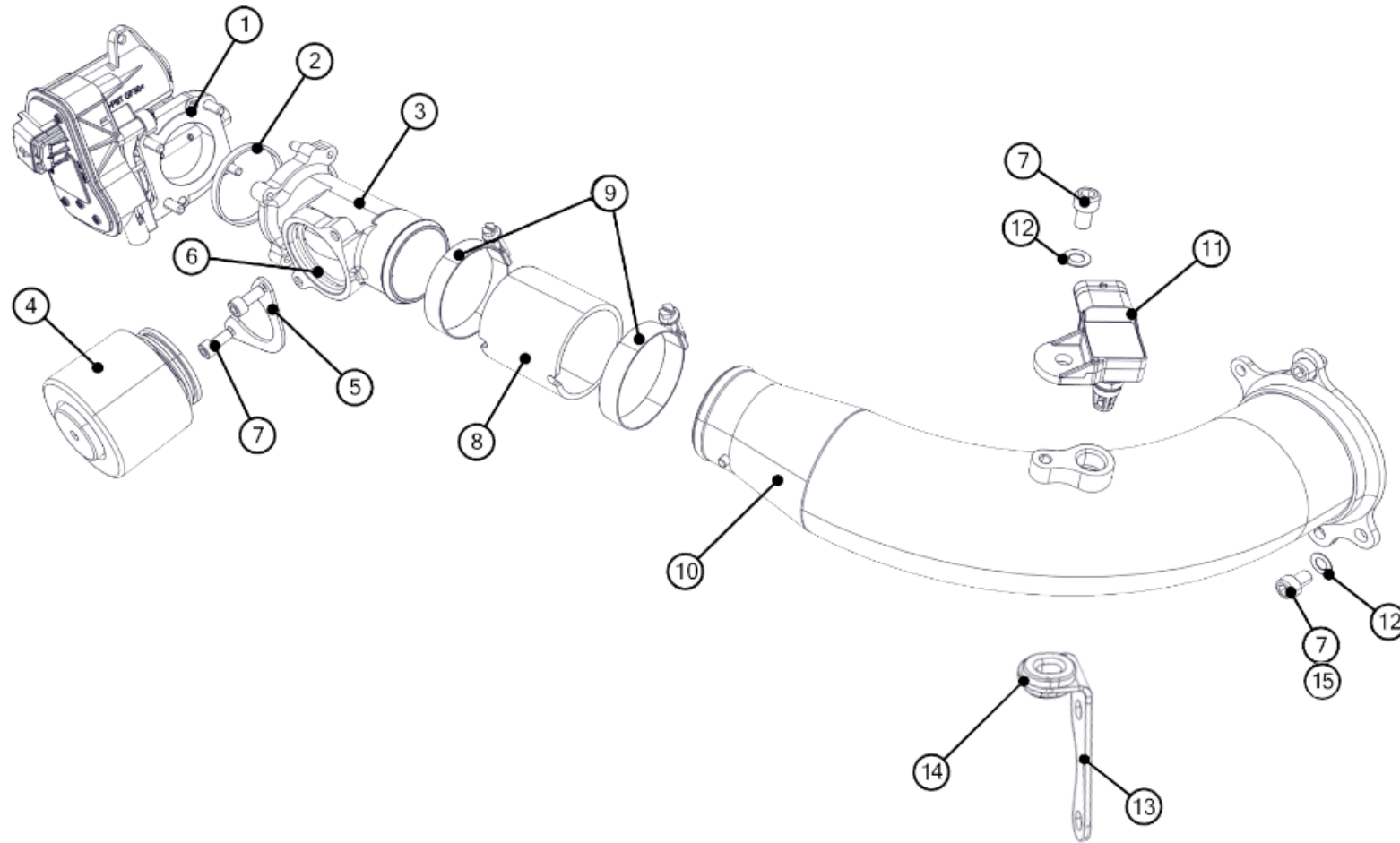
A21

REPARTITEUR ADMISSION

INTAKE MANIFOLD





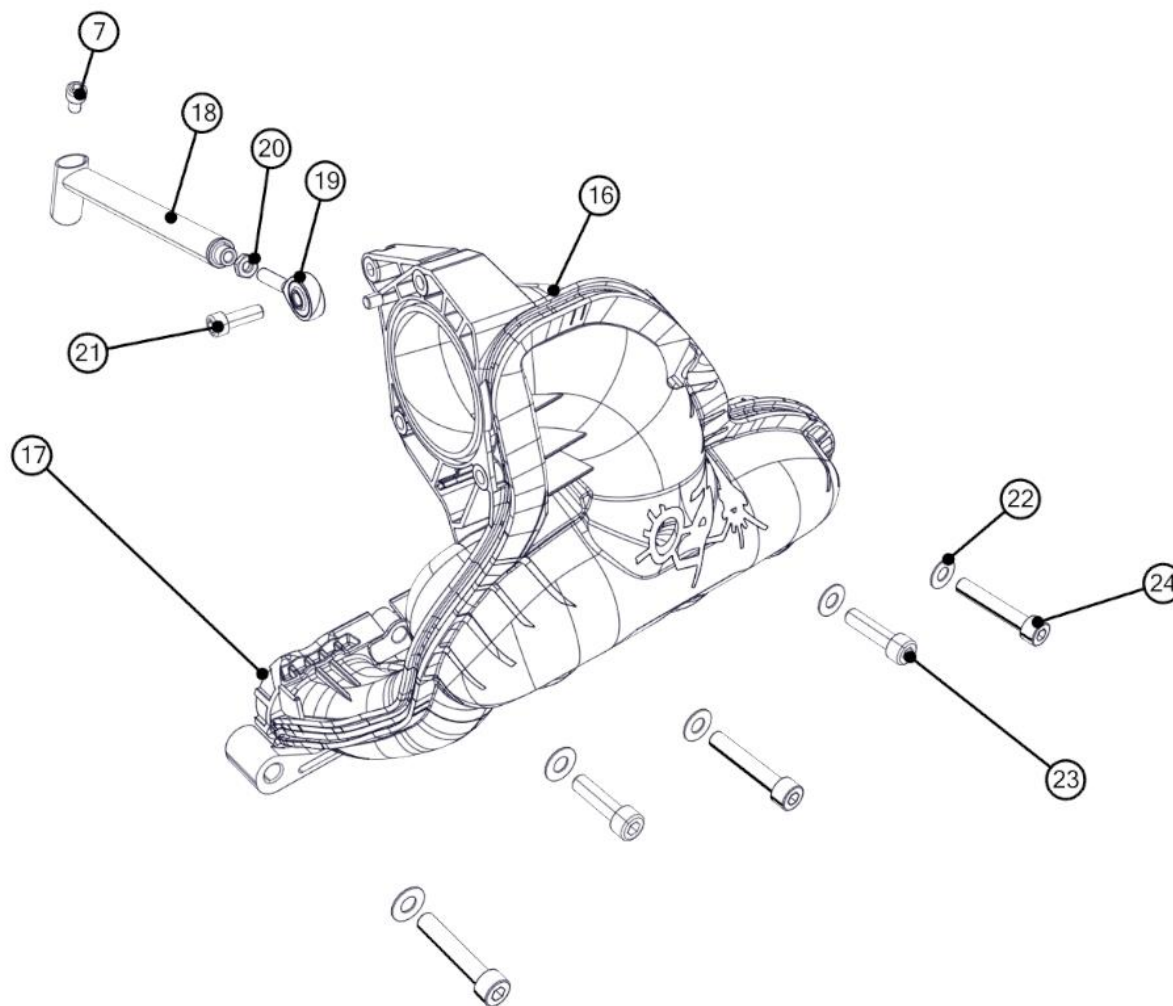


REP	REFERENCE	QTE	DESIGNATION
1	904476858C	1	Boitier papillon cablé B6 R5 <i>Throttle body C3R5</i>
2	9803918480	2	JOINT BOITIER PAPILLON <i>Throttle body seal</i>
3	904476608B	1	SUPPORT POPOFF <i>Popoff mount</i>
4	904498748A	1	POPOFF ANGLE 08
5	0A2726154A	1	FOURCHETTE POPOFF <i>Popoff flange</i>
6	904617158A	1	INSERT POPOFF <i>Popoff insert</i>
7**	PS82045A10	3	VIS CHC M6x10 <i>CHC screw M6x10</i>
8	904493958A	1	DURITE-D50 INDEXEE <i>Hose D50</i>
9	PS91510A10	2	COLLIER MURRAY D46-67 <i>Murray collar D46-67</i>
10	904472458C	1	TUBE ENTREE REPARTITEUR <i>Intake manifold pipe</i>
11	904495668A	1	Capteur P2-T2 cablée B6 R5 <i>P2-T2 sensor</i>
12**	PS86004A10	4	RONDELLE ONDULEE 6 TYPE A <i>Ond Washer D6 type A</i>
13	904495118A	1	SUPPORT TUBE ENTREE REPARTITEUR <i>Intake manifold pipe bracket</i>
14	0348S8	1	DECOUPLEUR <i>Groomet</i>
15*	1922R5	3	VIS Tole <i>Sheet metal screw</i>

*Seulement pour les répartiteurs d'admission ind G ou supérieur / *Only for intake manifold with index G or more*

** Pour les répartiteurs ind F ou inférieur, fixation via 3 vis CHC M6x10 (PS82045A10) sans rondelles onduflex D6

***For intake manifold index F or less, use 3 CHC M6x10 (PS82045A10) without any onduflex washer D6*

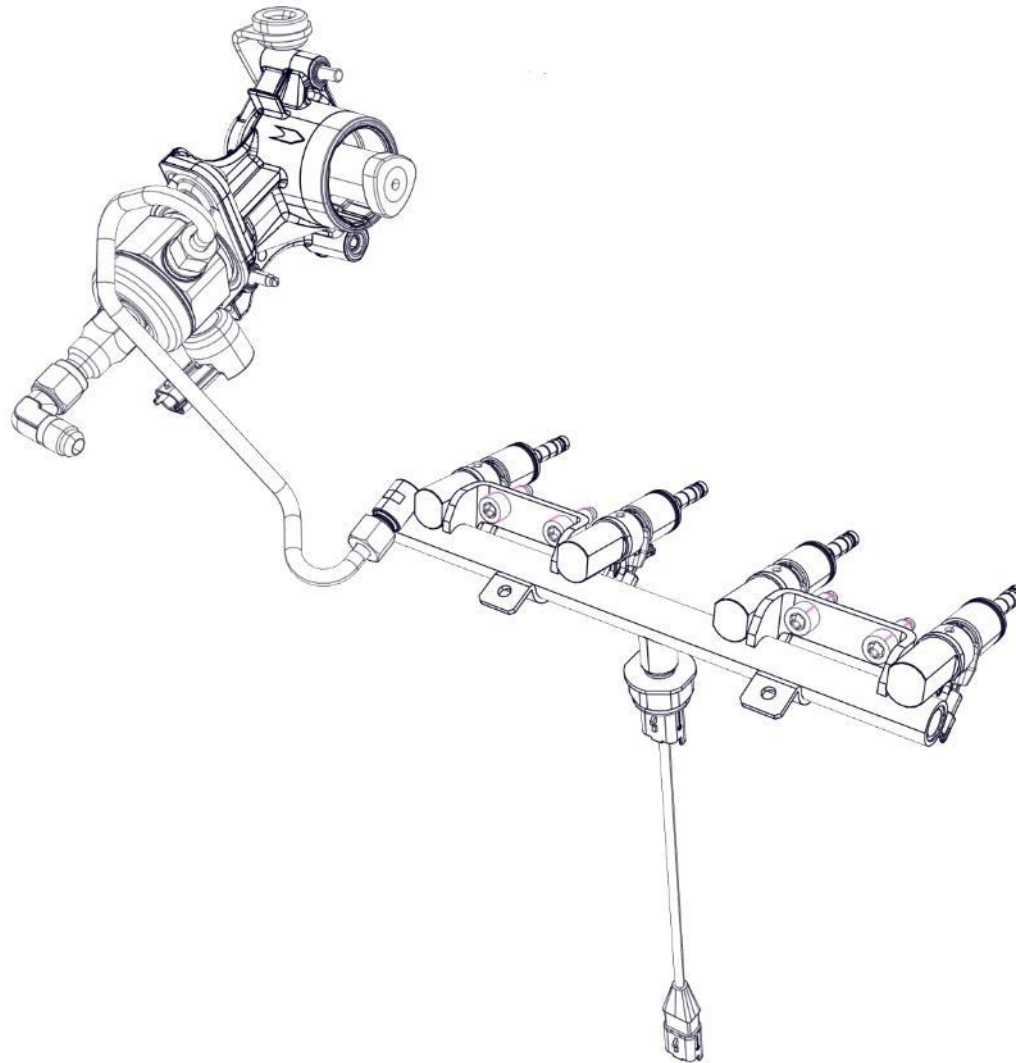


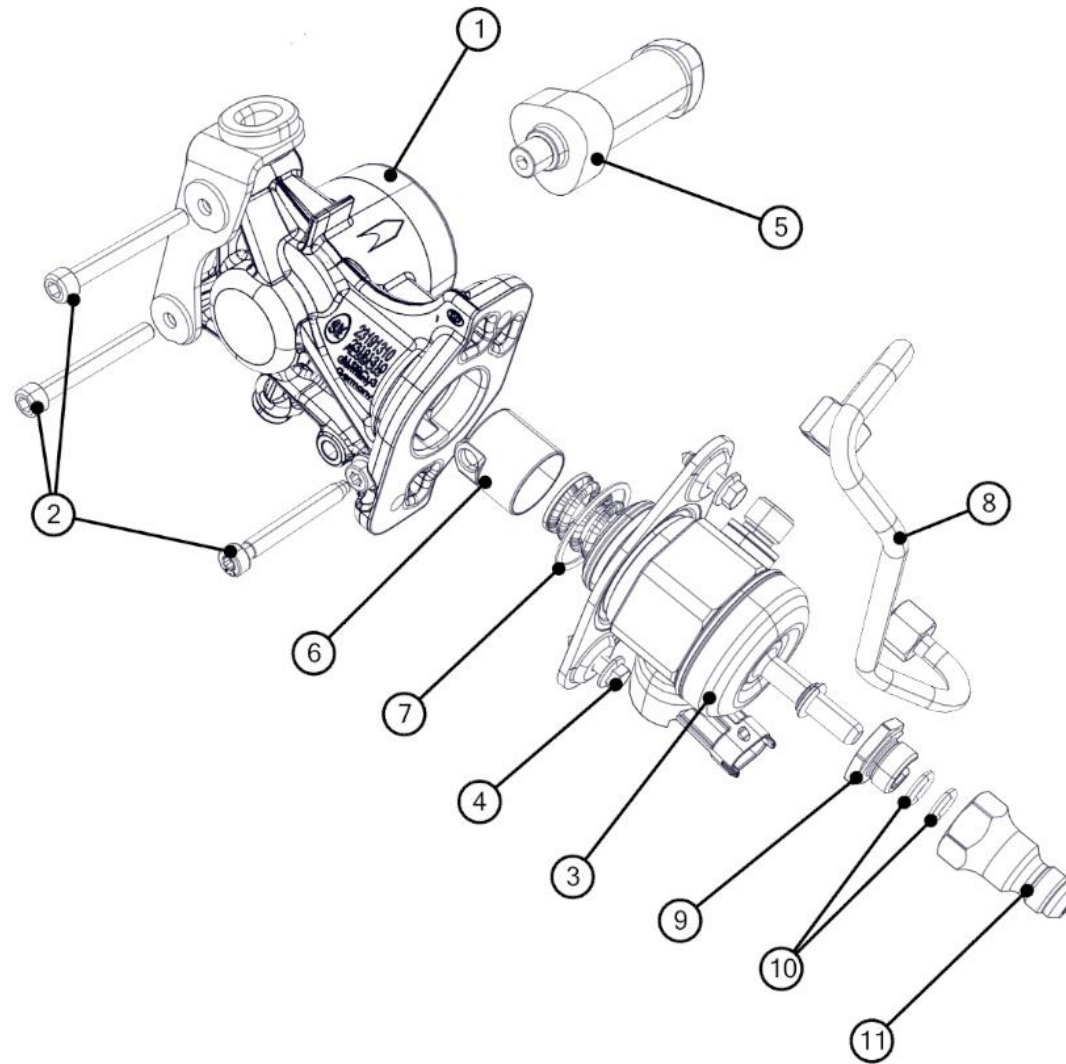
REP	REFERENCE	QTE	DESIGNATION
7**	PS82045A10	3	VIS CHC M6x10 <i>CHC screw M6x10</i>
16	904497758K	1	REPARTITEUR ADM <i>Intake manifold</i>
17	0348S9	4	Joint répartiteur admission <i>Intake manifold to engine seal</i>
18	904472688C	1	BEQUILLE REPARTIEUR <i>Intake manifold crutch</i>
19	ST04500018	1	Rotule SM M6 Male <i>Rose joint SM M6 male</i>
20	PS74697A10	1	Ecrou Hm M6 <i>Nut Hm M6</i>
21	PS82057A10	1	Vis M6x18 cl.12.9 <i>Screw CHC M6x18 cl12.9</i>
22	PS86510A10	5	RONDELLE OND DIAM. 8 <i>Ond washer D8</i>
23	PS82079A10	2	Vis CHC M8x30 cl.12.9 <i>Screw CHC M8x30 cl 12.9</i>
24	PS82132A10	3	Vis CHC M8x45 cl12.9 <i>Screw CHC M8x125 L45</i>
25	904942468C	1	Répartiteur d'admission équipé 2024 <i>Equipped intake manifold 2024</i>
26	904942458A	2	Douille de répartiteur 2024 <i>Manifold spacer 2024</i>



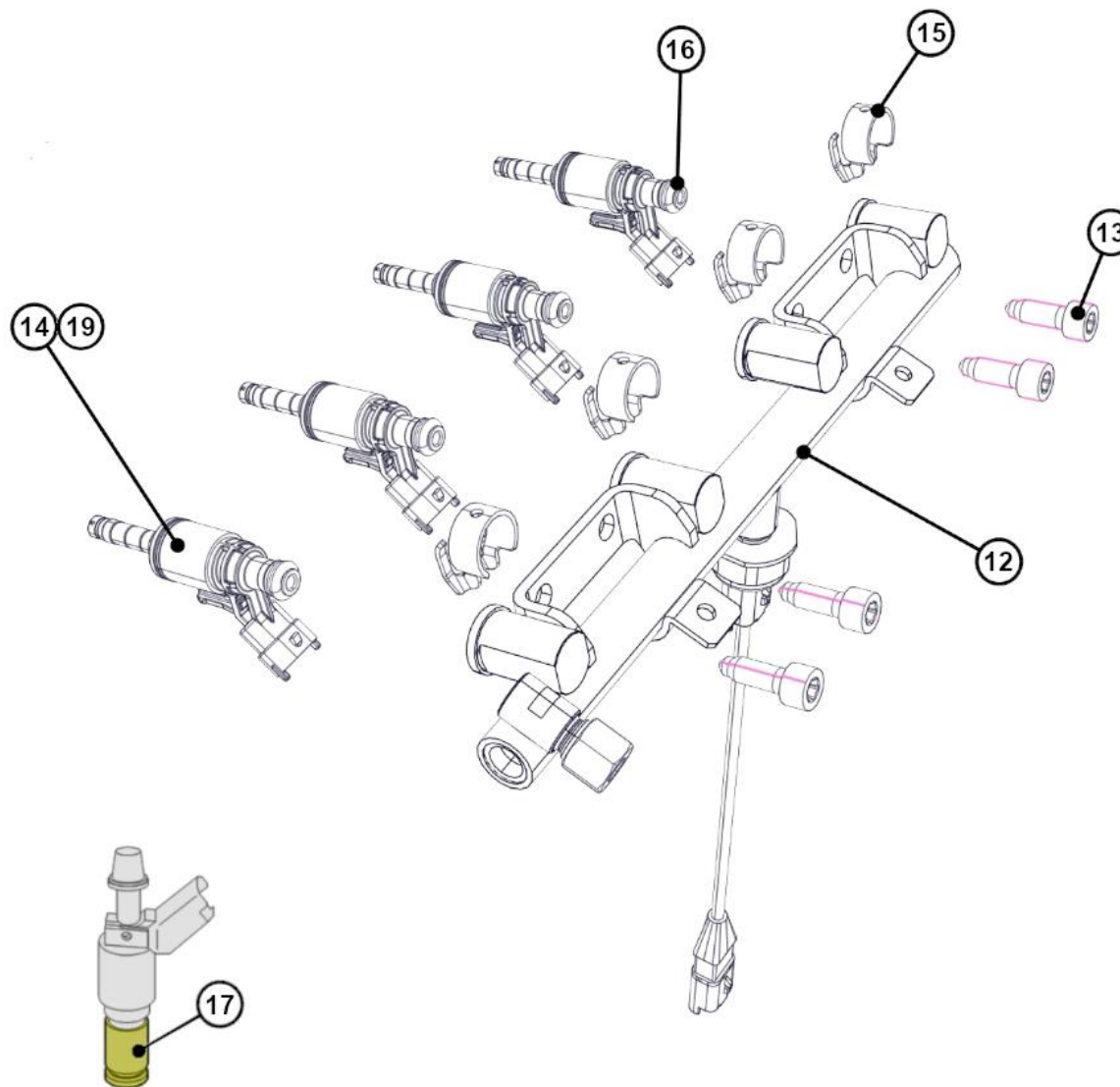
A23 INJECTION *INJECTION*







REP	REFERENCE	QTE	DESIGNATION
1	9811831280	1	BOITIER SUPP POMPE DRIVE UNIT TVDI EP6F <i>HP Fuel pump mount</i>
2	9805219080	3	VIS SUPPORT BOITIER EP6F <i>HP Fuel pump mount screw</i>
3	904477668B	1	Pompe essence HP C3R5 <i>HP Pump C3R5</i>
4	025057	2	VIS TH Embase <i>Flange screw TH</i>
5	904443168C	1	n TRI-LOBE POMPE HP FUEL <i>HP fuel pump trilobe</i>
6	9802359080	1	POUSSOIR RAPPEL PISTON POMPE HP ESSENCE <i>HP fuel pump tappet</i>
7	9805133580	1	JOINT POMPE ESSENCE HP <i>HP Fuel pump Oring</i>
8	V861333680	1	TUYAU CARBURANT RAMPE ALIMENT <i>HP Fue pipe</i>
9	0A2326472B	1	Ecrou raccord alimentation essence <i>Adaptator fuel supply</i>
10	CS360296ST	2	Joint torique Ø8x2,5 FPM 80Sh <i>Oring Ø8x2,5 FPM 80Sh</i>
11	0A2326471C	1	Raccord alimentation essence <i>HP Fuel adaptator straight</i>



REP	REFERENCE	QTE	DESIGNATION
12	904477678B	1	n rampe essence 200 bars cablée B6 R5 <i>Injection ramp 200bar C3R5</i>
13	V990549180	4	VIS RAMPE INJ <i>Injection ramp screw</i>
14	9809802380	4	Injecteurs <i>Injector</i>
15	9803525680	4	CLIP INJECTEUR <i>Injector holder</i>
16	198190	4	Kit Joints d'injecteur <i>Injector Oring kit</i>
17	9780FJ	1	Outil de mise en place joints d'injecteur (PR) <i>Injector ring positioning tool (SP)</i>
18	3Z9J24331C	1	Faisceau injecteurs <i>Injectors loom</i>
19*	1984H5*	4	Injecteurs EVO <i>Injectors EVO</i>

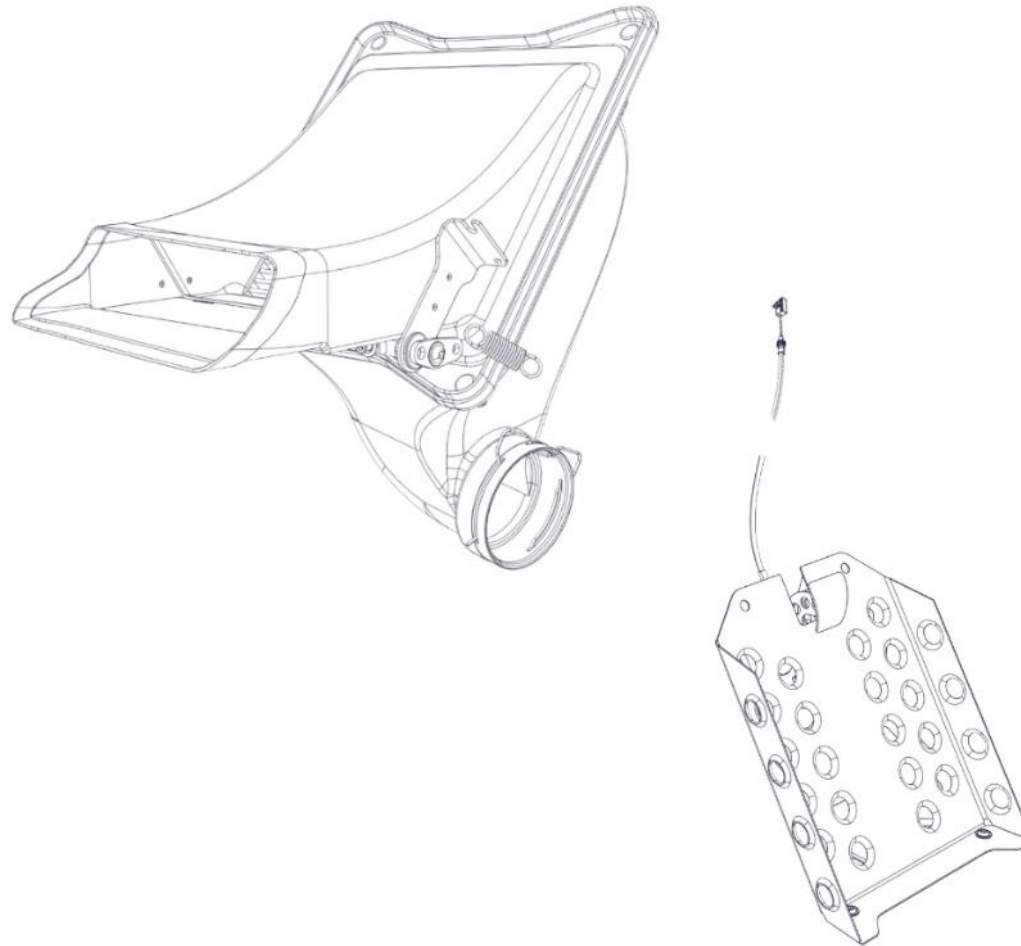
* : **Injecteur avec cartographie spécifique !**

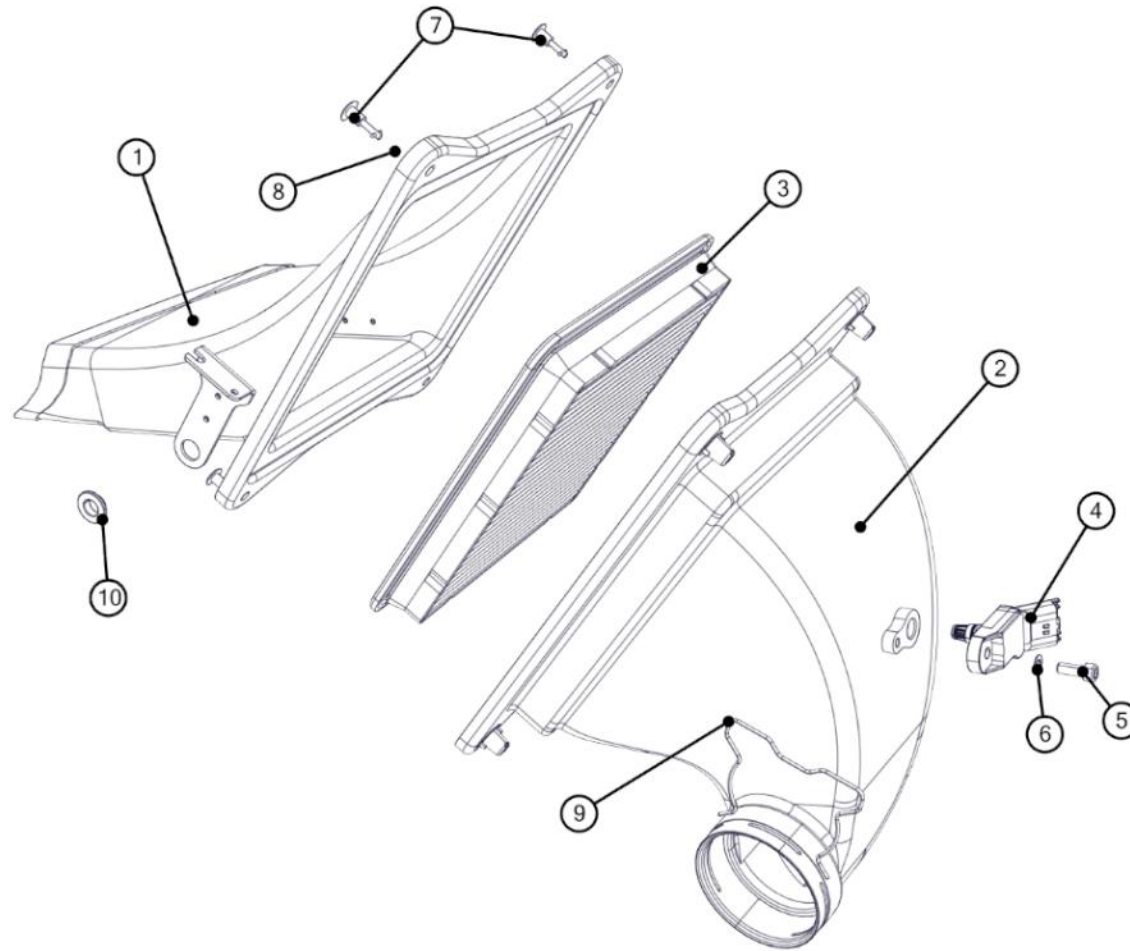
* : **Injector with specific mapping !**



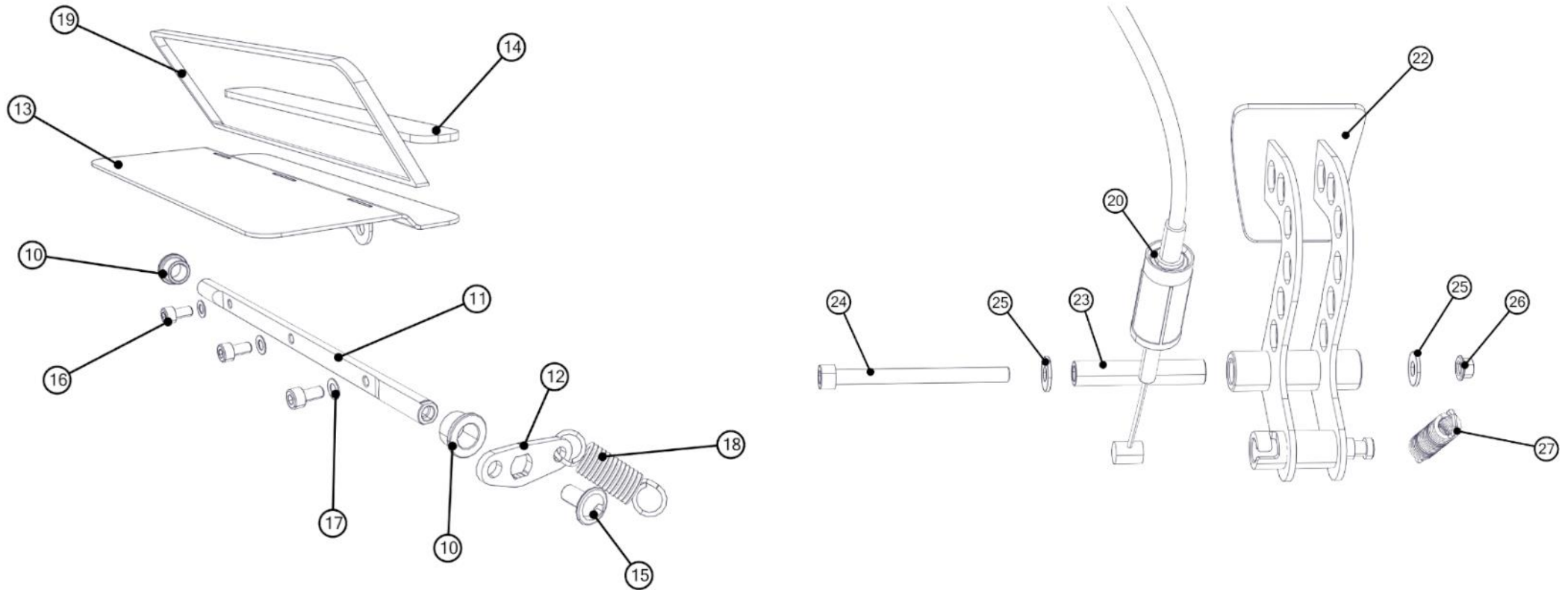
A26
ALIMENTATION AIR
AIR INTAKE



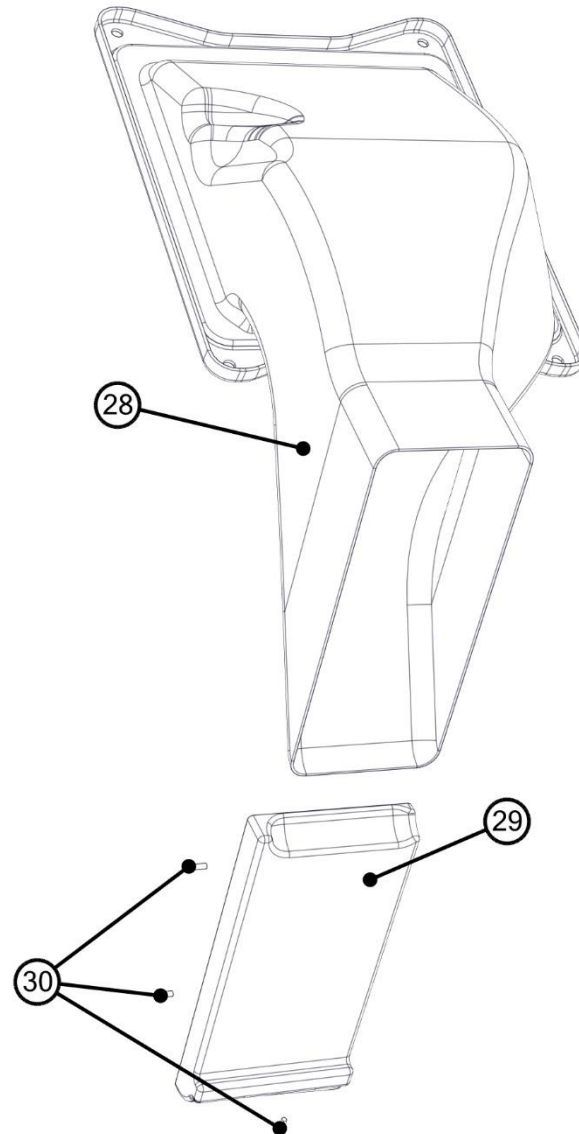




REP	REFERENCE	QTE	DESIGNATION
1	904481078E	1	Boite à air supérieure <i>Upper air box</i>
2	904485418J	1	Boite à air inférieure <i>Lower air box</i>
3	904475998A	1	Filtre à air <i>Air filter</i>
4	904613138A	1	Capteur de pression d'air câblé <i>Wired Air pressure sensor</i>
5	PS82156A10	1	Vis CHC M6x16 <i>CHC screw M6x16</i>
6	PS86004A10	1	Rondelle ondulée 6 type A <i>Washer D6</i>
7	CS620011ST	4	Axe fermeture <i>Fastener</i>
8	PS86135A10	4	Rondelle retenue axe <i>Retaining washer</i>
9	904475778D	1	Agrafe boite à air <i>Air box clamp</i>
10	ST02100016	2	BAGUE EPAULE 101410 <i>Bushing 101410</i>



REP	REFERENCE	QTE	DESIGNATION
10	ST02100016	2	BAGUE EPAULE 101410 <i>Bushing 101410</i>
11	904485428D	1	AXE TRAPPE DE GUE <i>Flap axle</i>
12	904626368B	1	LEVIER <i>Lever</i>
13	904485438D	1	TRAPPE DE GUE <i>Flap</i>
14	904626538A	1	MOUSSE 185x22x3 / Foam 185X22X3
15	PS82696A10	1	VIS BHC EMB M6 L12 / BHC screw M6x12
16	PS82516A10	3	VIS-CHC-M5X10 / CHC screw M5x10
17	PS86001A10	3	RONDELLE-OND-D5 / Ond washer D5
18	ST04200037	1	RESSORT TRACT D12,7 HL44,4 K2,72N/mm <i>Spring D12,7 HL44,4 K2,72N/mm</i>
19	904680998A	1	ETANCHEITE TRAPPE DE GUE
20	904609988C	1	CABLE-TRAPPE-DE-GUE <i>Cable</i>
21	PS93553A10	1	PASSE GAINÉ 1T 7 D15 CAOUTCHOUC <i>Grommet D15</i>
22	904604398A	1	PEDALE-TRAPPE-DE-GUE <i>Pedal</i>
23	904605998A	1	AXE-PEDALE-GUE <i>Pedal axle</i>
24	PS82058A10	1	VIS CHC M6 L70 <i>CHC screw M6 L70</i>
25	694904	2	ROND PLATE 6X14X1.5 <i>Washer 6X14X1.5</i>
26	PS74001A10	1	ECROU M6PH135 <i>Nut M6PH135</i>
27	ST04200027	1	Ressort Phi9.14 L44.45 <i>Spring Phi9.14 L44.45</i>
	C3R5-TRAPPE		Kit trappe de gué / Water splash kit



REP	REFERENCE	QTE	DESIGNATION
28	904948628A	1	Boite à air supérieure 2024 <i>2024 top air box</i>
29	904948898B	1	Obturateur 2024 <i>2024 cover</i>
30	CS430020ST	3	Rivet TF D3.2 L8 alu <i>Rivet TF D3.2 L8 alu</i>

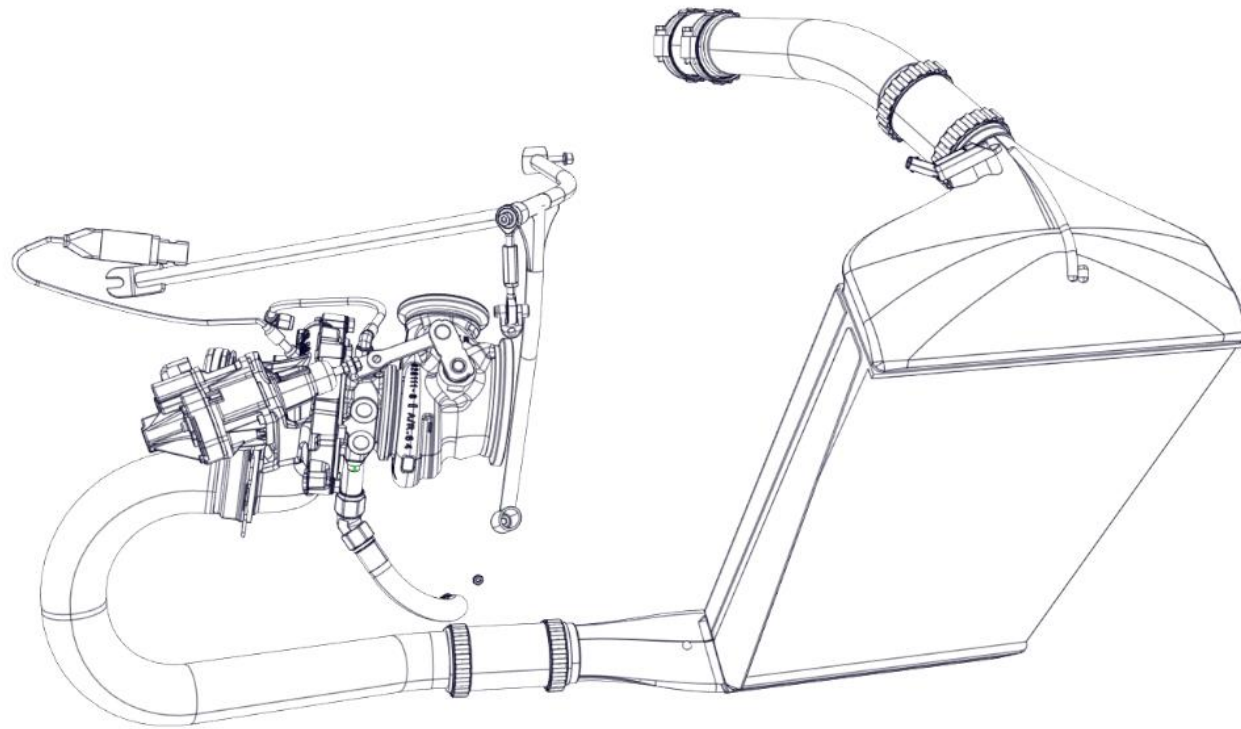


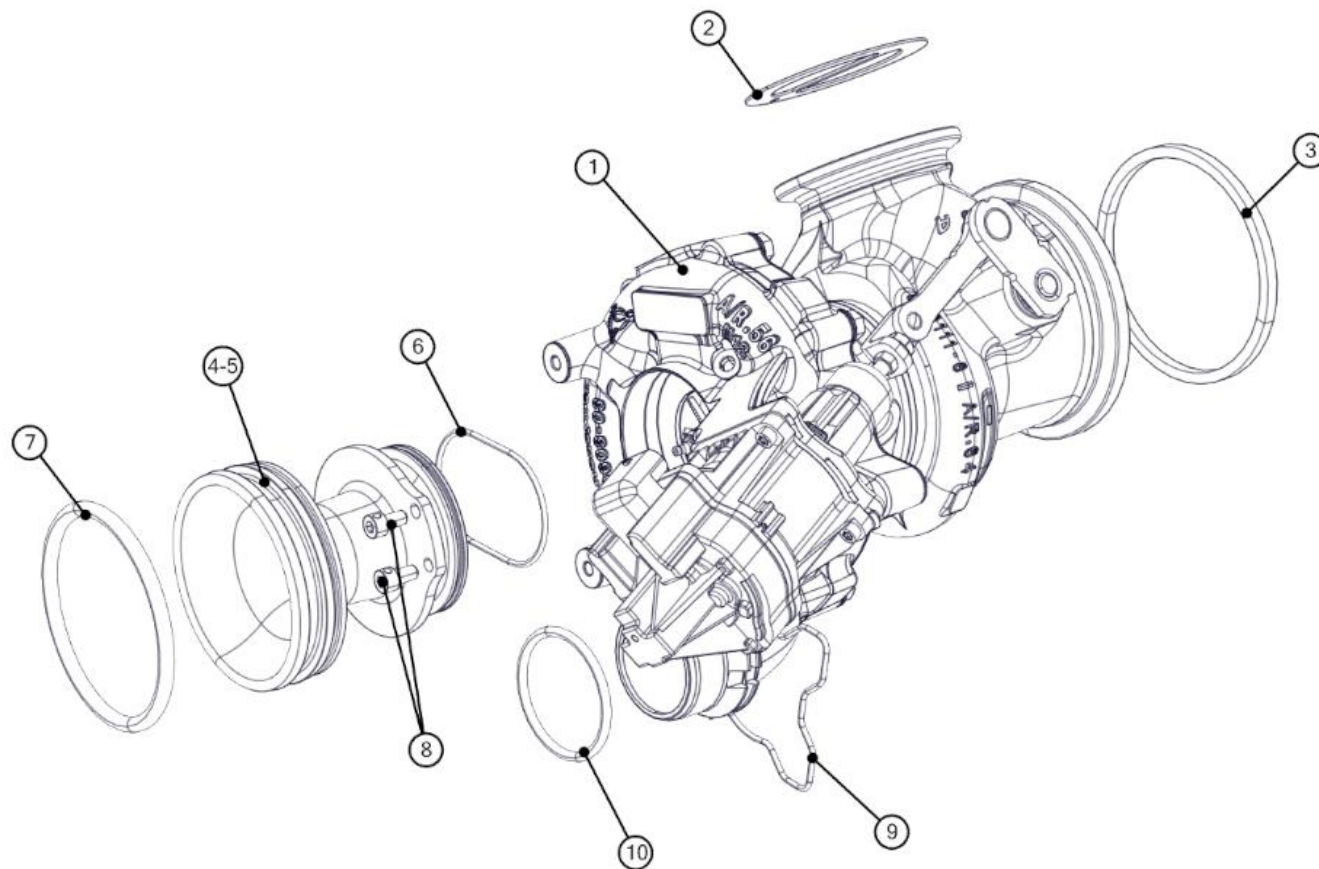
A27

SURALIMENTATION

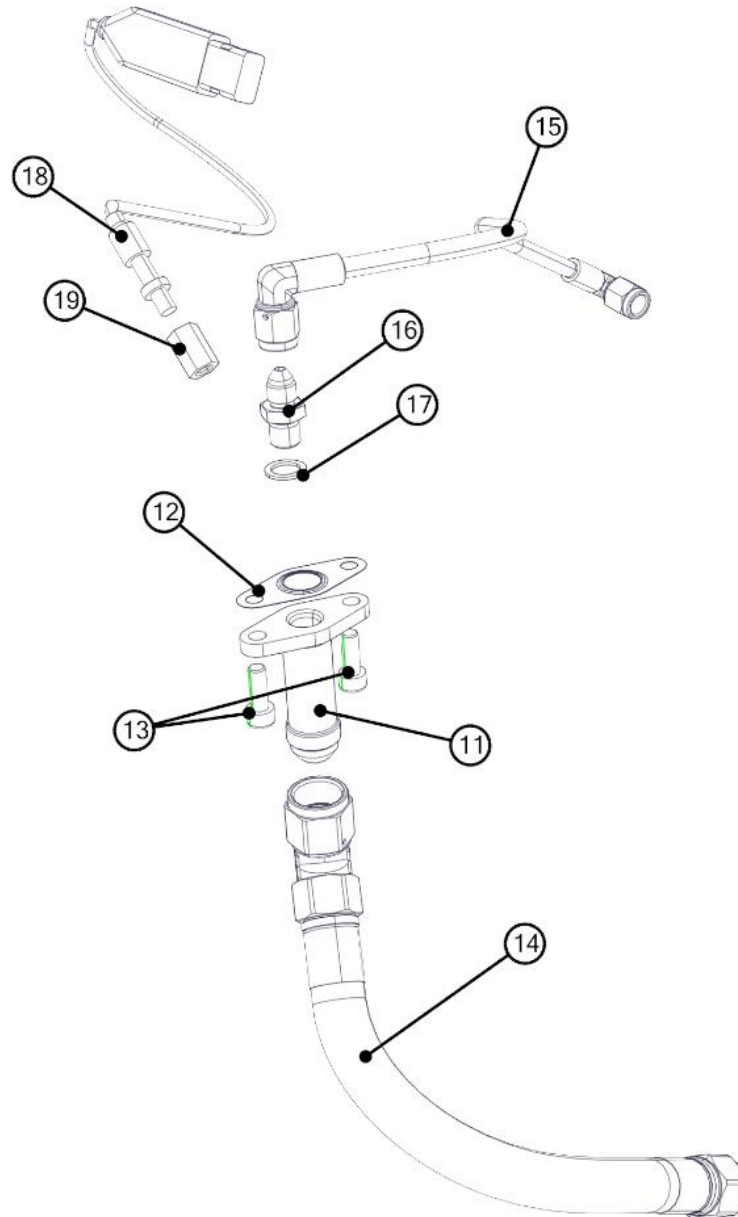
TURBO CIRCUIT



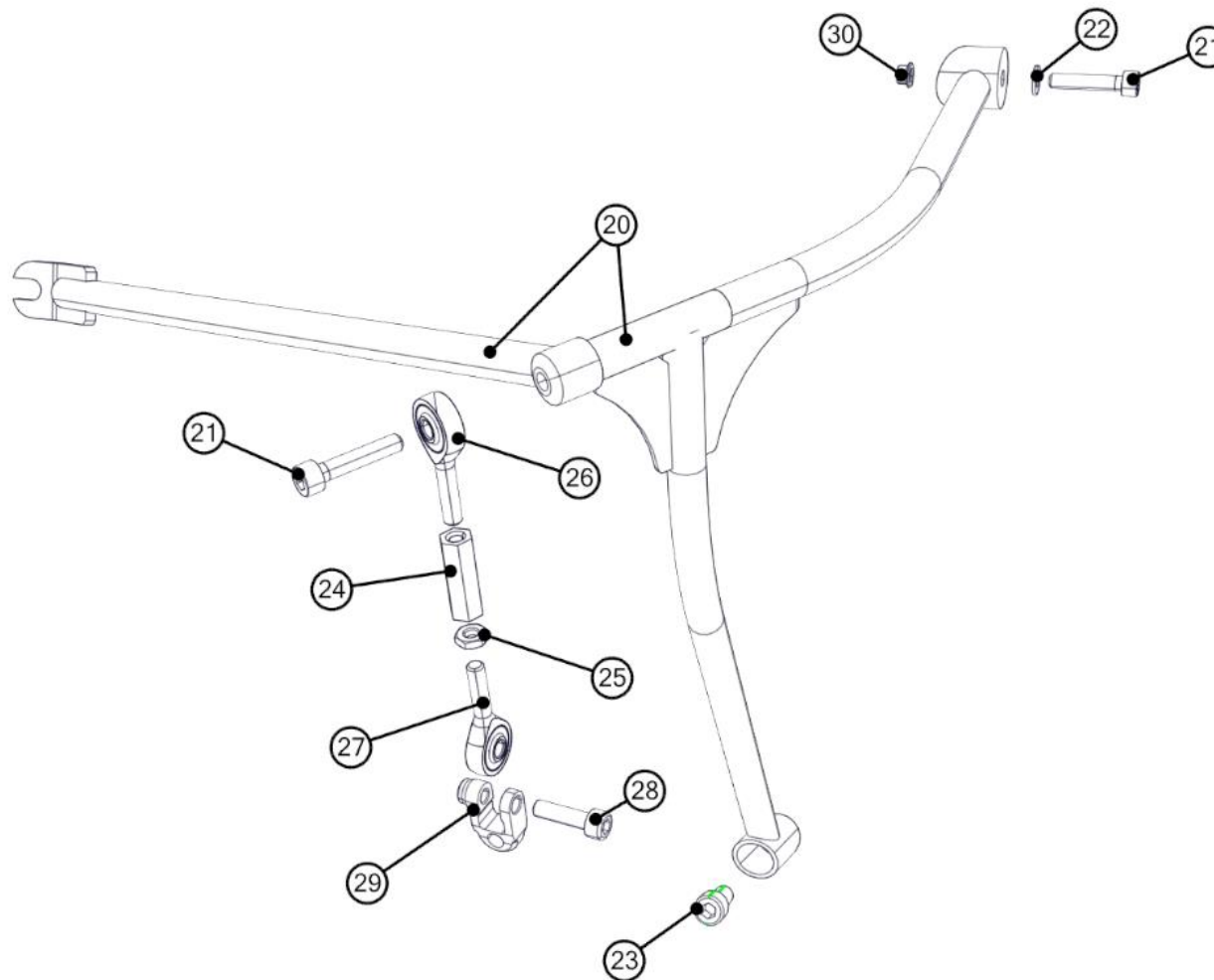




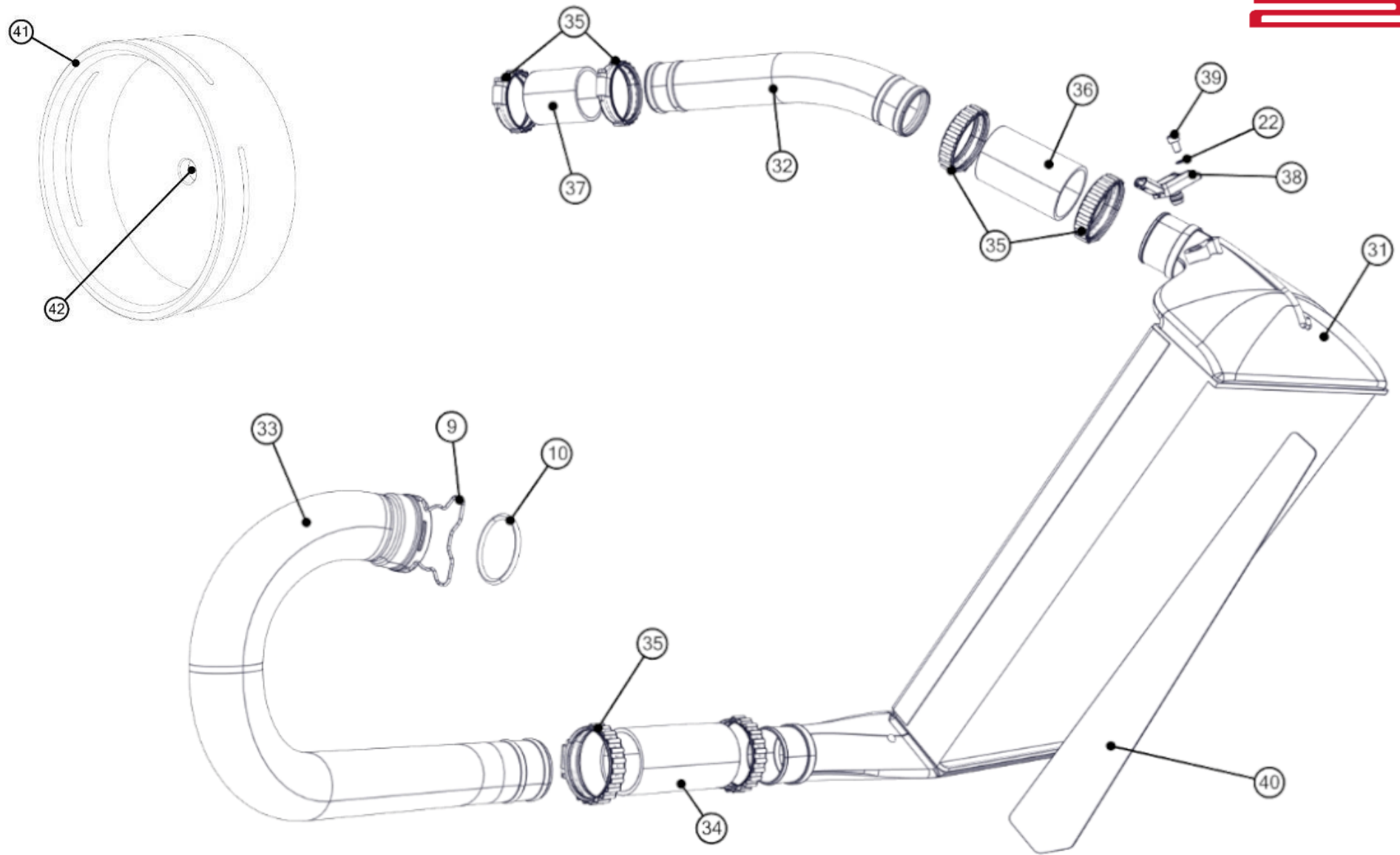
REP	REFERENCE	QTE	DESIGNATION
1	904472008D	1	TURBO ASS C3R5 <i>Turbo charger C3R5</i>
2	904607298A	1	JOINT COLLECTEUR TURBINE <i>Exhaust manifold / Turbo gasket</i>
3	0B2118478A	1	Joint catalyseur/turbo <i>Turbo / Exhaust line seal</i>
4	904475328F	1	BRIDE 32MM ADMISSION TURBO <i>Restrictor 32mm</i>
5	904864328B	1	BRIDE 34MM ADMISSION TURBO <u>NON FIA</u> <i>Restrictor 34mm <u>NO FIA</u></i>
6	CS360270ST	1	Joint torique Ø56x2 Viton 80sh <i>Oring Ø56x2 Viton 80sh</i>
7	ST03600033	1	JOINT TOR D INT 72.39 D THORE5.33 FPDM <i>Oring 72.39 x 5.33 FPDM</i>
8	PS82516A10	1	Vis CHC M5x10 cl.12.9 <i>Screw CHC M5x10 cl.12.9</i>
9	904472998B	1	CLIPS SORTIE COMPRESSEUR <i>Turbo exit clips</i>
10	PS77299A10	1	Joint torique D44x3.53 viton -(67X15) <i>Oring D44x3.53</i>



REP	REFERENCE	QTE	DESIGNATION
11	904602538A	1	BRIDE SORTIE HUILE TURBO <i>Turbo oil exit flange</i>
12	0A2726865A	1	Joint retour huile turbo <i>Flange gasket</i>
13	691306	2	VIS CHC M6x16 <i>Screw CHC M6x16</i>
14	904602558B	1	TUYAU RETOUR HUILE TURBO <i>Turbo oil exit pipe</i>
15	904495988A	1	TUYAU HUILE ALIMENTATION TURBO <i>Turbo oil feeding pipe</i>
16	PS73035A10	1	Adaptateur M10x1/Dash3 M/M <i>Adaptator M10/Dash3</i>
17	PS81031A10	1	Joint cuivre Ø10,2x13,9x1 <i>Copper seal Ø10,2x13,9x1</i>
18	0A2718634A	1	Capteur N turbo gainé <i>Turbo speed sensor</i>
19	904477288A	1	ECROU LONG M6X50 L16 <i>Nut long M6x150 L16</i>



REP	REFERENCE	QTE	DESIGNATION
20	904631268E	1	BEQUILLE TURBO <i>Turbo crutch</i>
21	PS82120A10	2	Vis CHC M6x30 <i>Screw CHC M6x30</i>
22	PS86004A10	2	RONDELLE ONDULEE 6 TYPE A <i>Ond Washer D6 type A</i>
23	PS82130A01	1	Vis CHC M8x16 <i>Screw CHC M8x16</i>
24	0A2724059A	1	Biellette suspente turbo <i>Turbo holding rod</i>
25	PS74697A10	1	Ecrou Hm M6 <i>Nut Hm M6</i>
26	ST04500018	1	Rotule CM M6 Male <i>Rose joint CM M6 male</i>
27	ST04500019	1	Rotule CB M6 Male <i>Rose joint CB M6 male</i>
28	PS82017A10	1	Vis CHC M6x25 <i>Screw CHC M6x25</i>
29	904622798B	1	SUPPORT TURBO <i>Turbo mount</i>
30	PS74001A10	1	ECROU A EMBASE M6 <i>Collar nut M6</i>

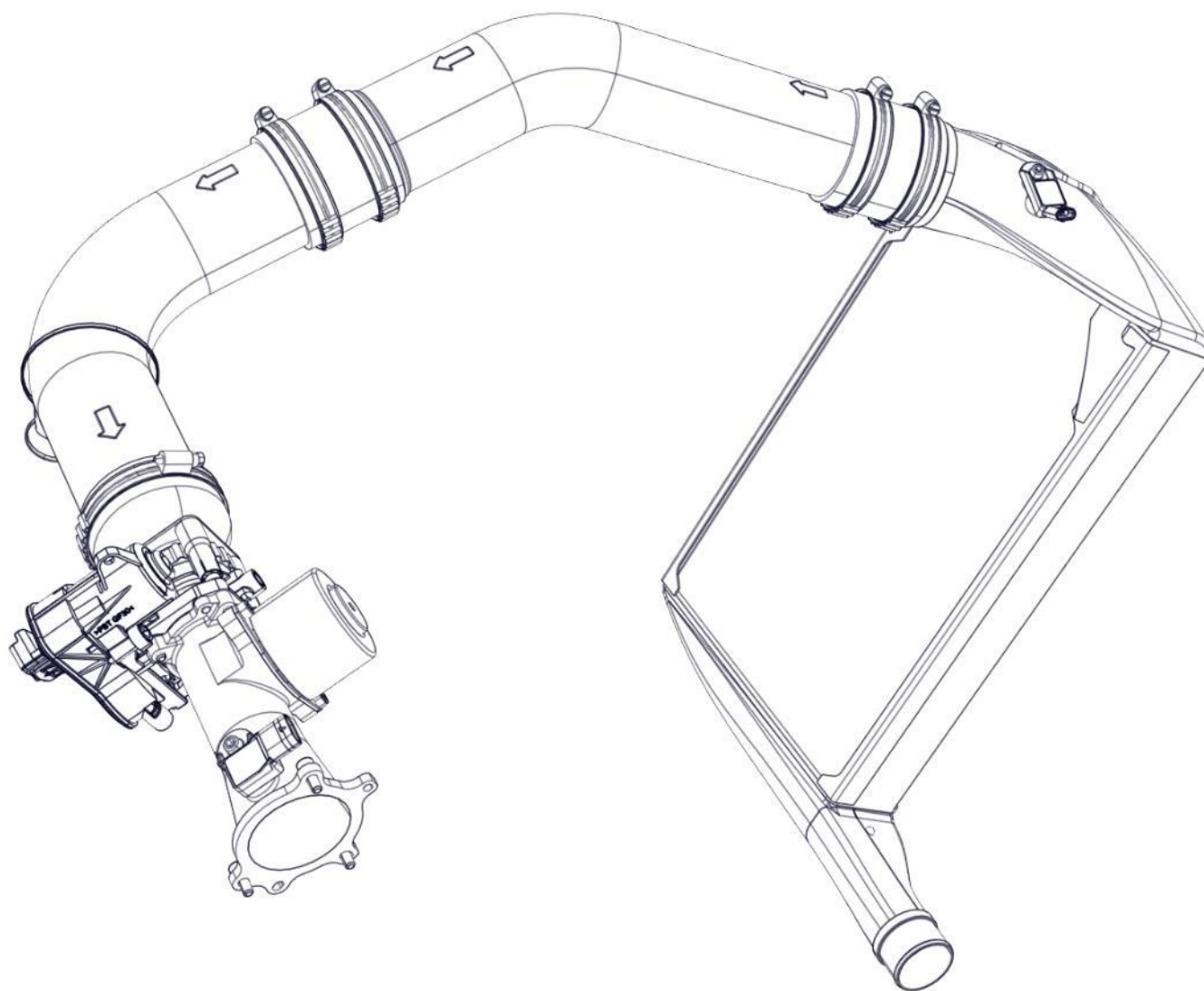


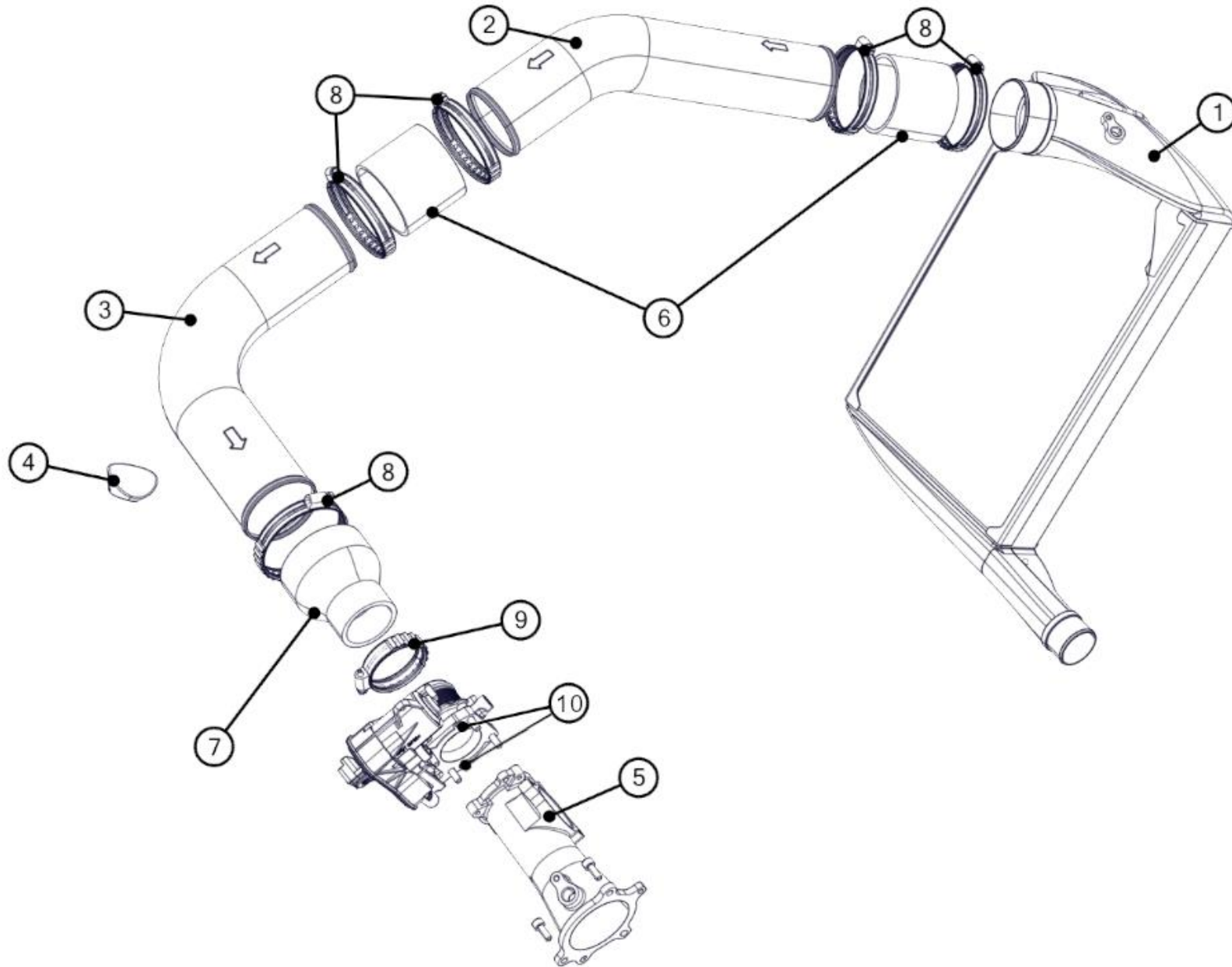
REP	REFERENCE	QTE	DESIGNATION
9	904472998B	1	CLIPS sortie compresseur <i>turbo outlet clips</i>
31	904471688G	1	Echangeur AIR AIR <i>intercooler</i>
32	904472248B	1	Tube sortie RAS <i>intercooler outlet pipe</i>
33	904615568B	1	Tube sortie compresseur <i>turbo outlet pipe</i>
34	904601748B	1	Durite L120 <i>L120 hose</i>
35	ST01600034	6	Collier MURRAY D46-67 <i>MURRAY clamp D46-67</i>
36	904493918A	1	Durite D50 L90 <i>D50 L90 hose</i>
37	904493928A	1	Durite D50 L65 <i>D50 L65 hose</i>
38	9806432480	1	Capteur pression air P2P <i>P2p air pressure sensor</i>
39	PS82045A10	1	Vis CHC M6x10 <i>Screw CHC M6x10</i>
40	904614238A	1	Etanchéité radia / échangeur <i>Radiator/Intercooler separator</i>
41	904493548B	1	Outil test pression (ligne d'air) <i>Pressure test tool (air circuit)</i>
42	1E3121373A	1	Valve schrader <i>Schrader valve</i>
43	904498748A		



A27
SURALIMENTATION 2024
TURBO CIRCUIT 2024





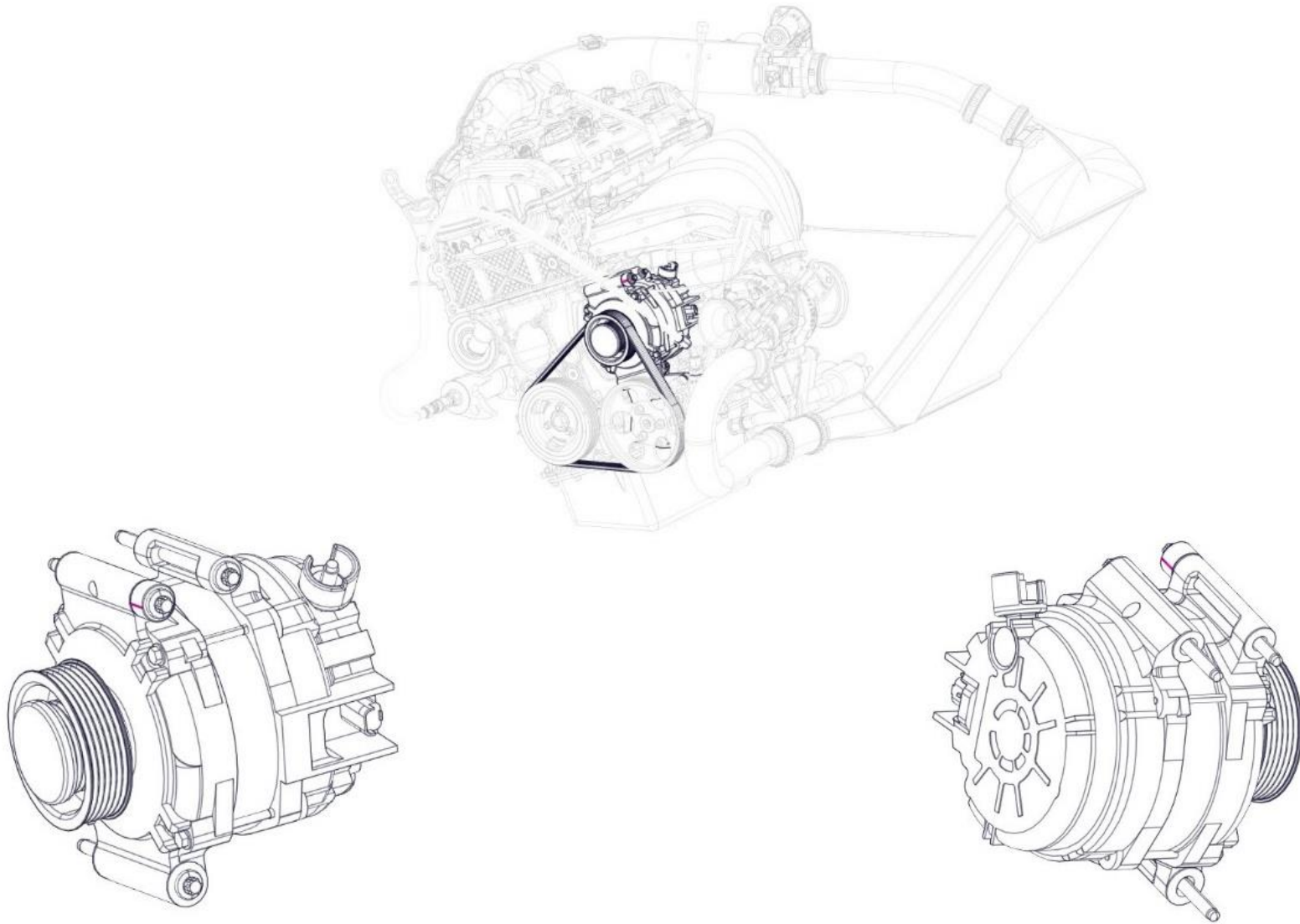


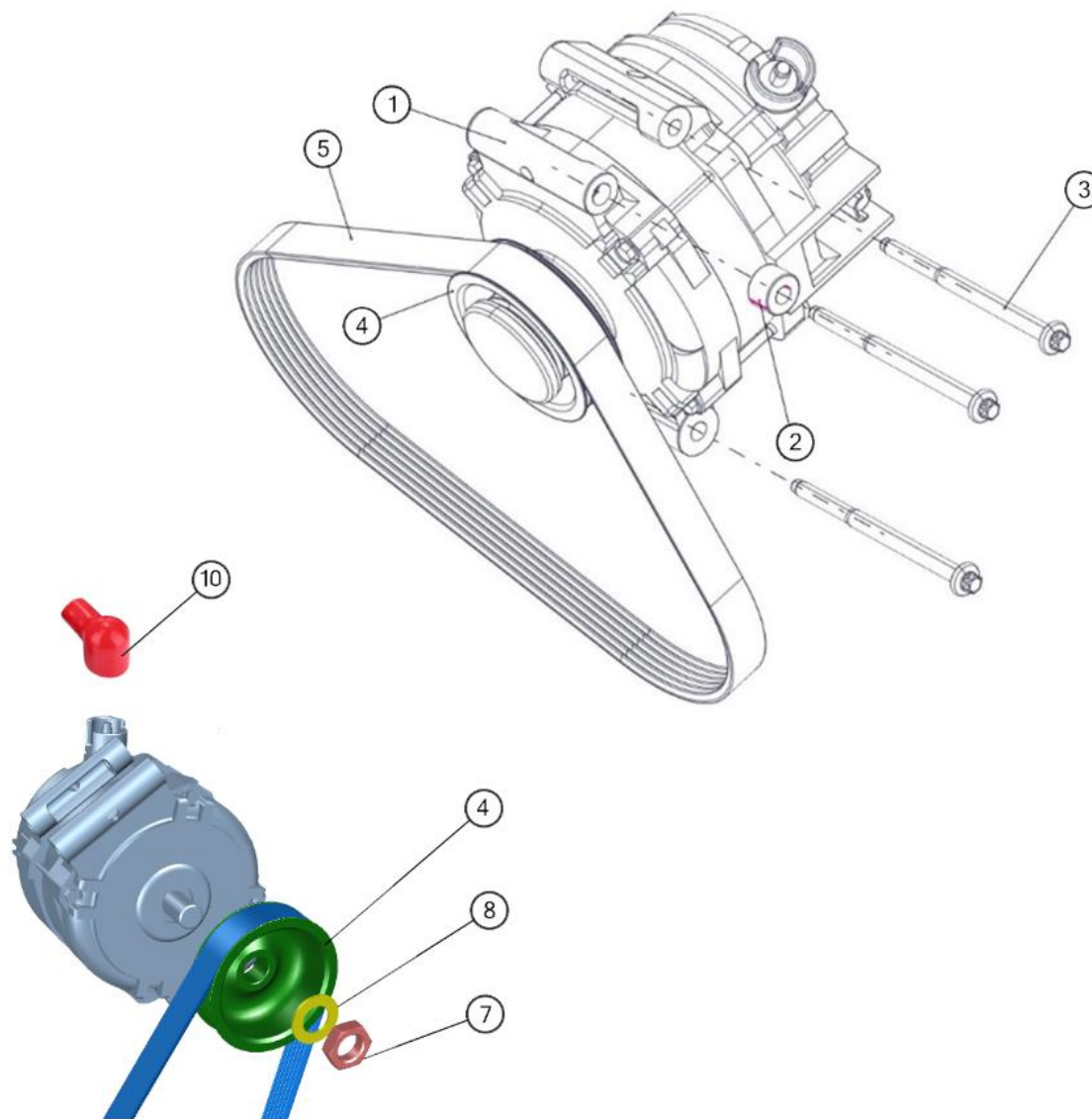
REP	REFERENCE	QTE	DESIGNATION
1	904938258B	1	Echangeur air/air 2024 <i>Intercooler 2024</i>
2	904938328B	1	Tube suralimentation 1 <i>Intercooler pipe 1</i>
3	904943048B	1	Tube suralimentation 2 <i>Intercooler pipe 2</i>
4	904957958B	1	Support tube suralimentation 2 <i>Intercooler pipe 2 mount</i>
5	904940998C	1	Support Popoff 2024 <i>Popoff bracket 2024</i>
6	ST04800037	2	Manchon D80 L76 <i>Hose D80 L76</i>
7	ST04800036	1	Réducteur D80/D51 <i>Hose reductor D80/D51</i>
8	ST01600083	5	Collier MURRAY D76-98 <i>MURRAY clamp D76-98</i>
9	ST01600034	1	Collier MURRAY D46-67 <i>MURRAY clamp D46-67</i>
10	6965-12	2	Pion centrage 6x18 <i>Centering pin 6x18</i>



A31
ALTERNATEUR
ALTERNATOR







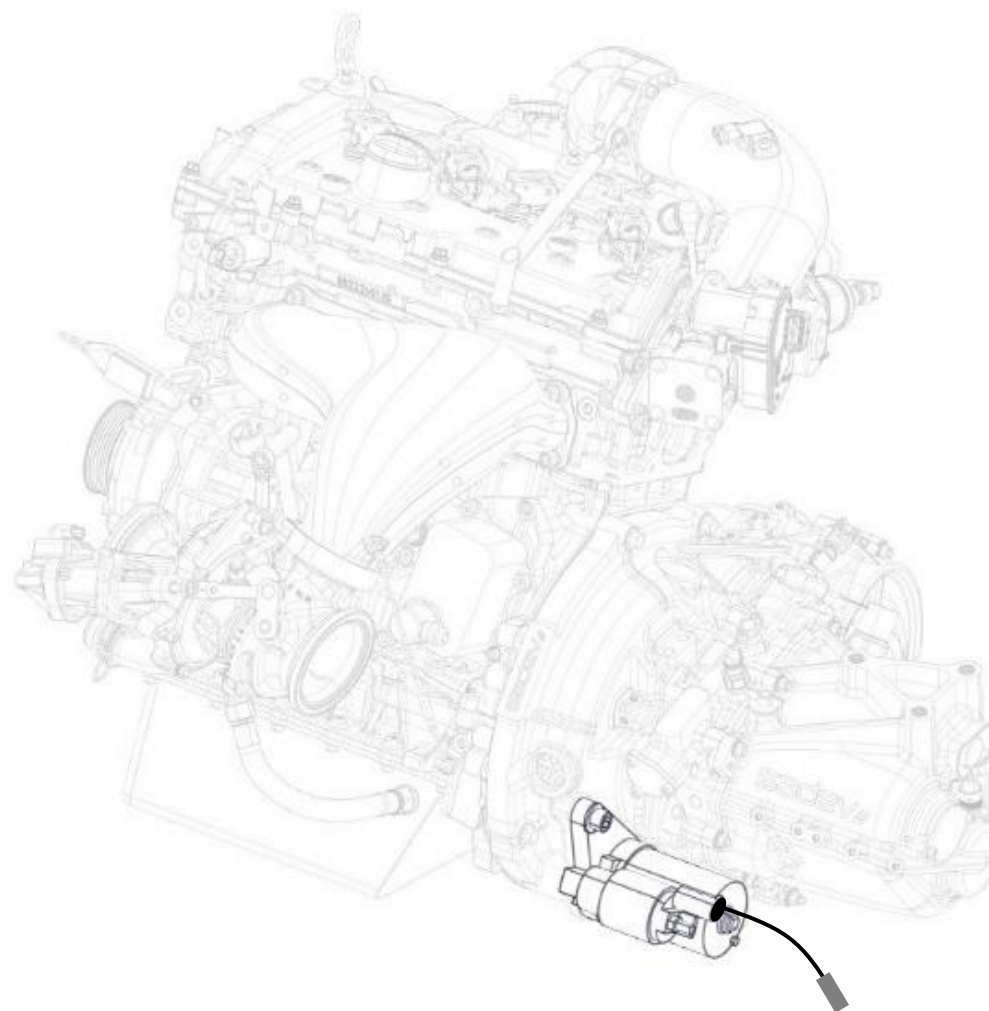
REP	REFERENCE	QTE	DESIGNATION
1	9822789580	1	Alternateur <i>Alternator</i>
2	5703C3	1	Entretoise fixation support alternateur <i>Alternator spacer</i>
3	5703A6	3	Vis fixation alternateur <i>Alternator fixing screw</i>
4	0A3142574B	1	Poulie alternateur <i>Pulley</i>
5	1606349480	1	Courroie <i>Accessory belt</i>
6	450343	1	ECROU A EMBASE M8X125-8-13 <i>Nut M8X125-8-13</i>
7	PS74815A10	1	Ecrou H M17x150 <i>H Nut M17x150</i>
8	PS86675A10	1	Rondelle ond. D16 type B <i>Washer D16 B type</i>
9	1612108280	1	Douille poulie alternateur <i>Alternator pulley socket</i>
10	3Z1C40609A	2	Protection cosse batterie rouge <i>Wire battery end cover red</i>

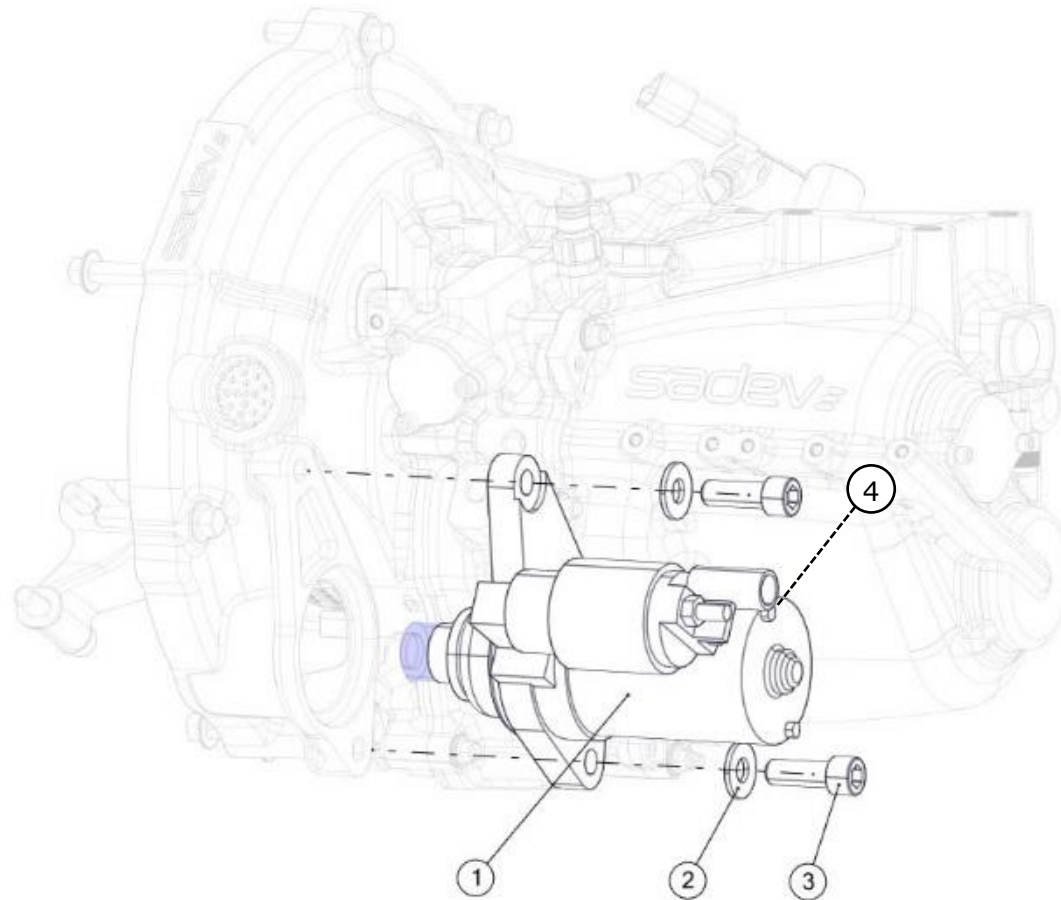
* = pas représenté / not represented



A32 DEMARREUR *STARTER*





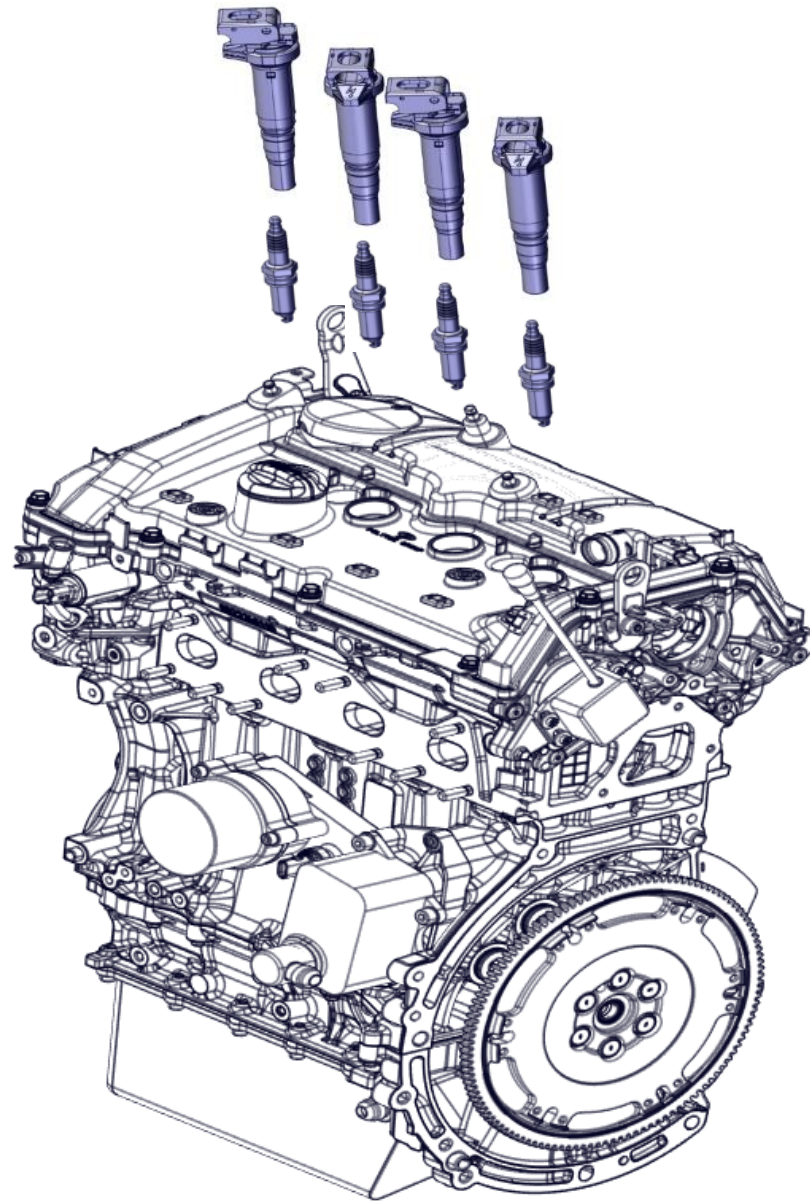


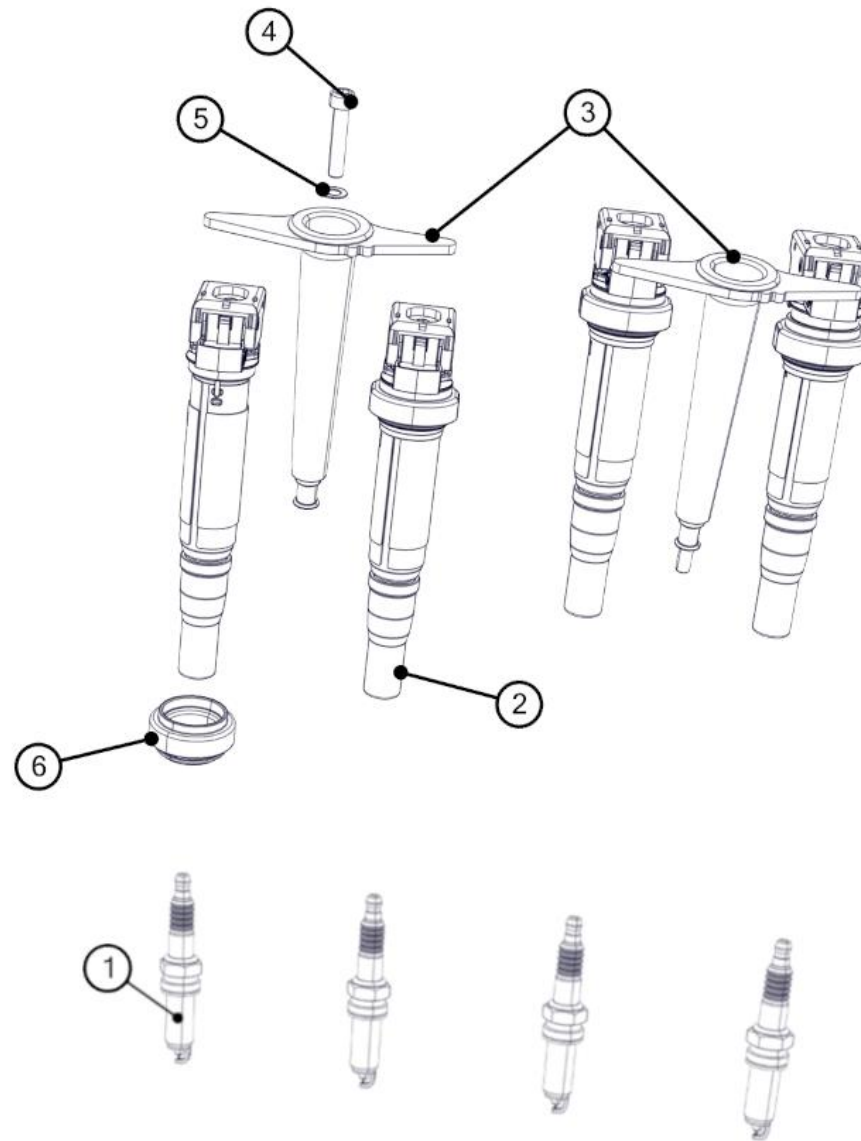
REP	REFERENCE	QTE	DESIGNATION
1	0A3124325A	1	Démarreur cablé <i>Wired starter</i>
2	PS86554A10	2	Rondelle plate D12x27x2.5 <i>Washer D12x27x2.5</i>
3	PS82066A10	2	Vis CHC M12 L30 <i>CHC screw M12 L30</i>
4	450343	1	ECROU A EMBASE M8X125-8-13 <i>Nut M8X125-8-13</i>



A33
ALLUMAGE
IGNITION







REP	REFERENCE	QTE	DESIGNATION
1	904609568A	4	Bougie <i>Spark plug</i>
2	5970-91	4	Bobine d'allumage <i>Coil</i>
3	904974068A	2	Bride de bobine <i>Coil maintainer</i>
4	PS82120A10	2	Vis CHC M6x30 <i>Screw CHC M6x30</i>
5	PS86004A10	2	Rondelle ondulée type A D6 <i>Stop washer type A D6</i>
6	904974638A	4	Joint bobine d'allumage <i>Coil seal</i>
7	4125-07*	1	Mousse adhésive <i>Foam</i>

* : mousse à installer entre les brides et les bobines

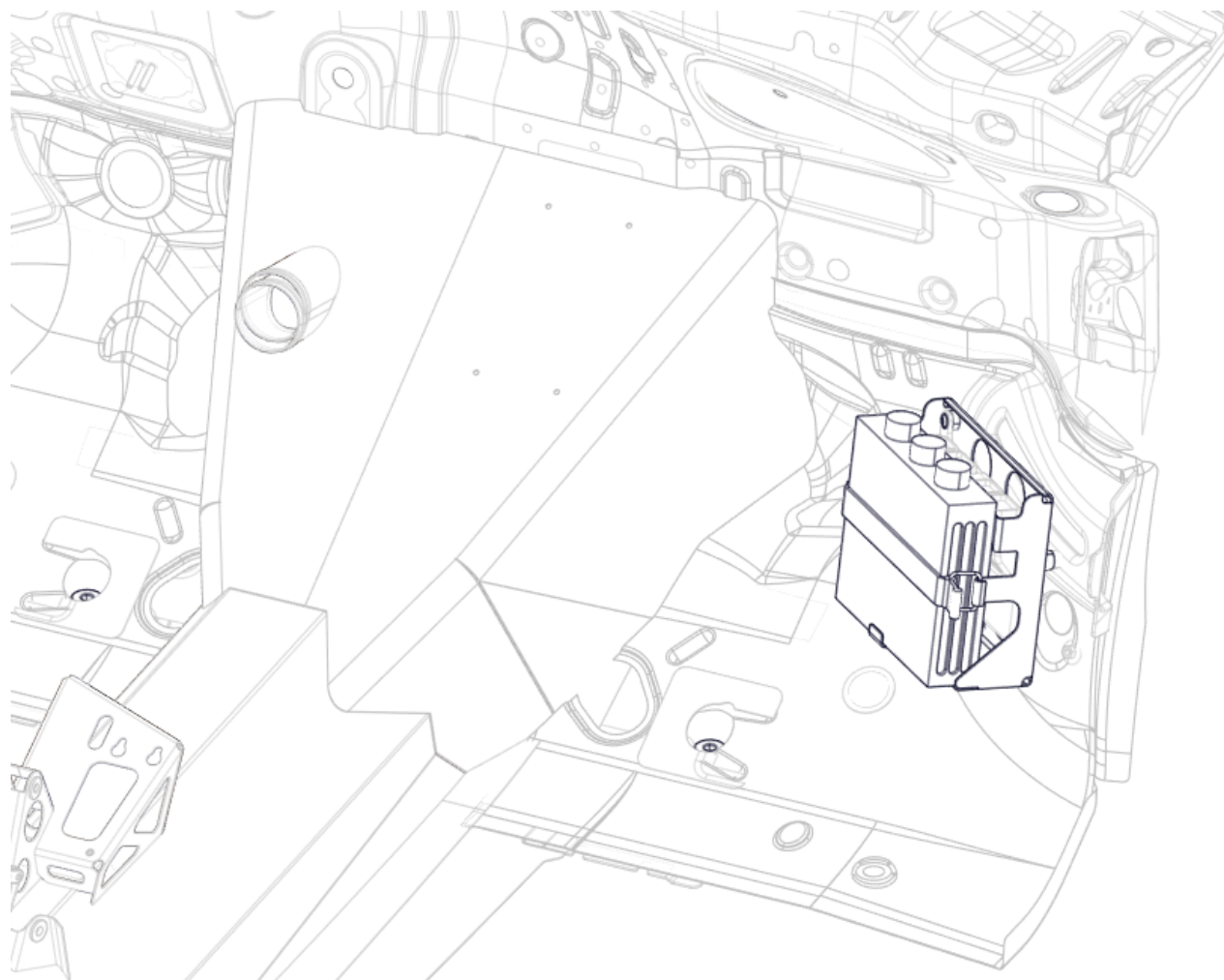
* : foam to glue between the maintainers and the coils

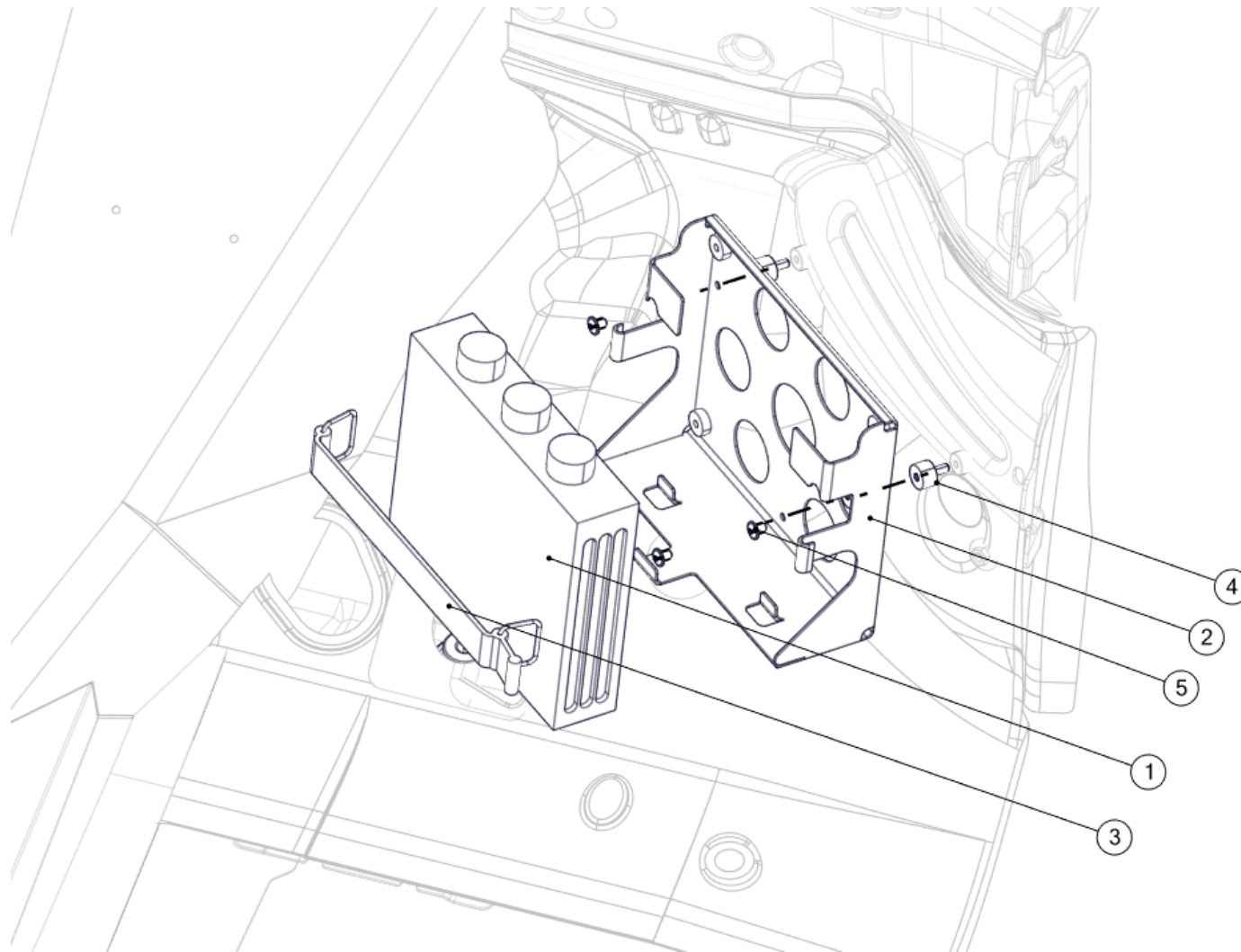


A36

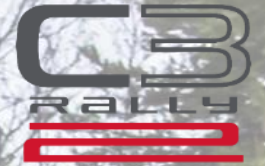
BOITIER ELECTRONIQUE MOTEUR *ENGINE CONTROL UNIT*





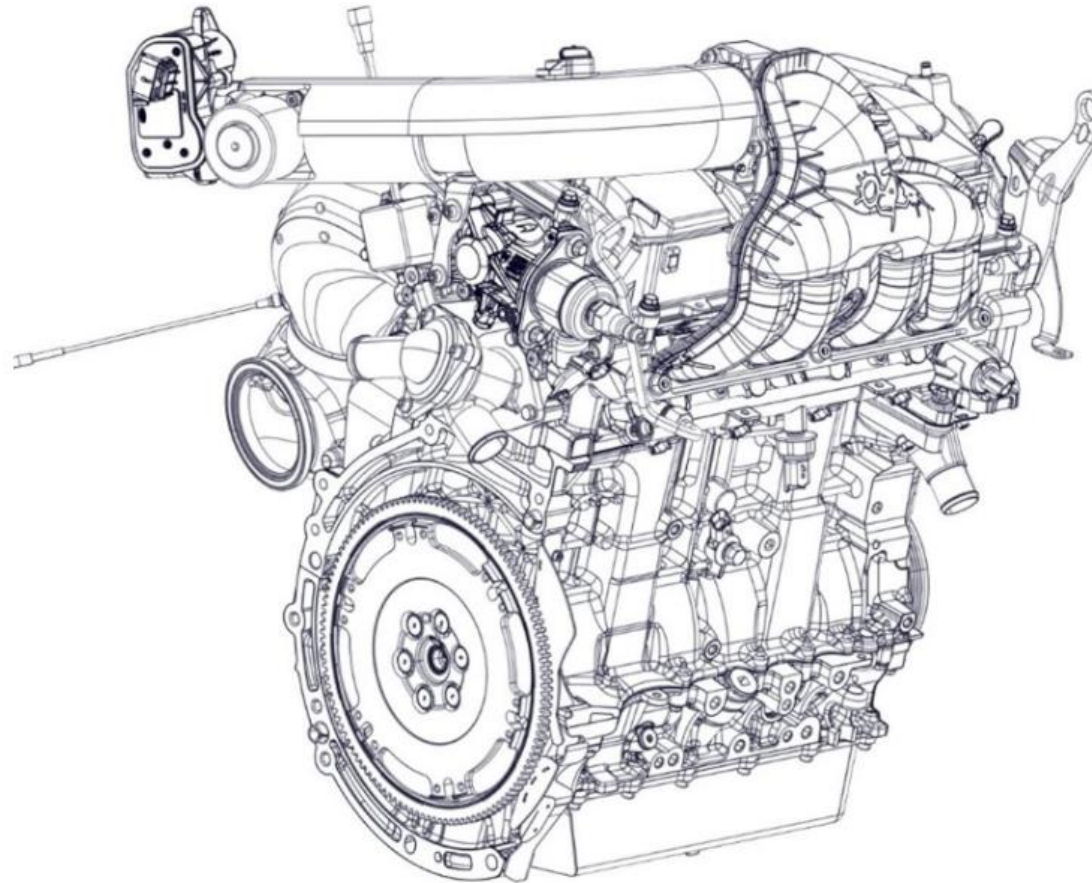


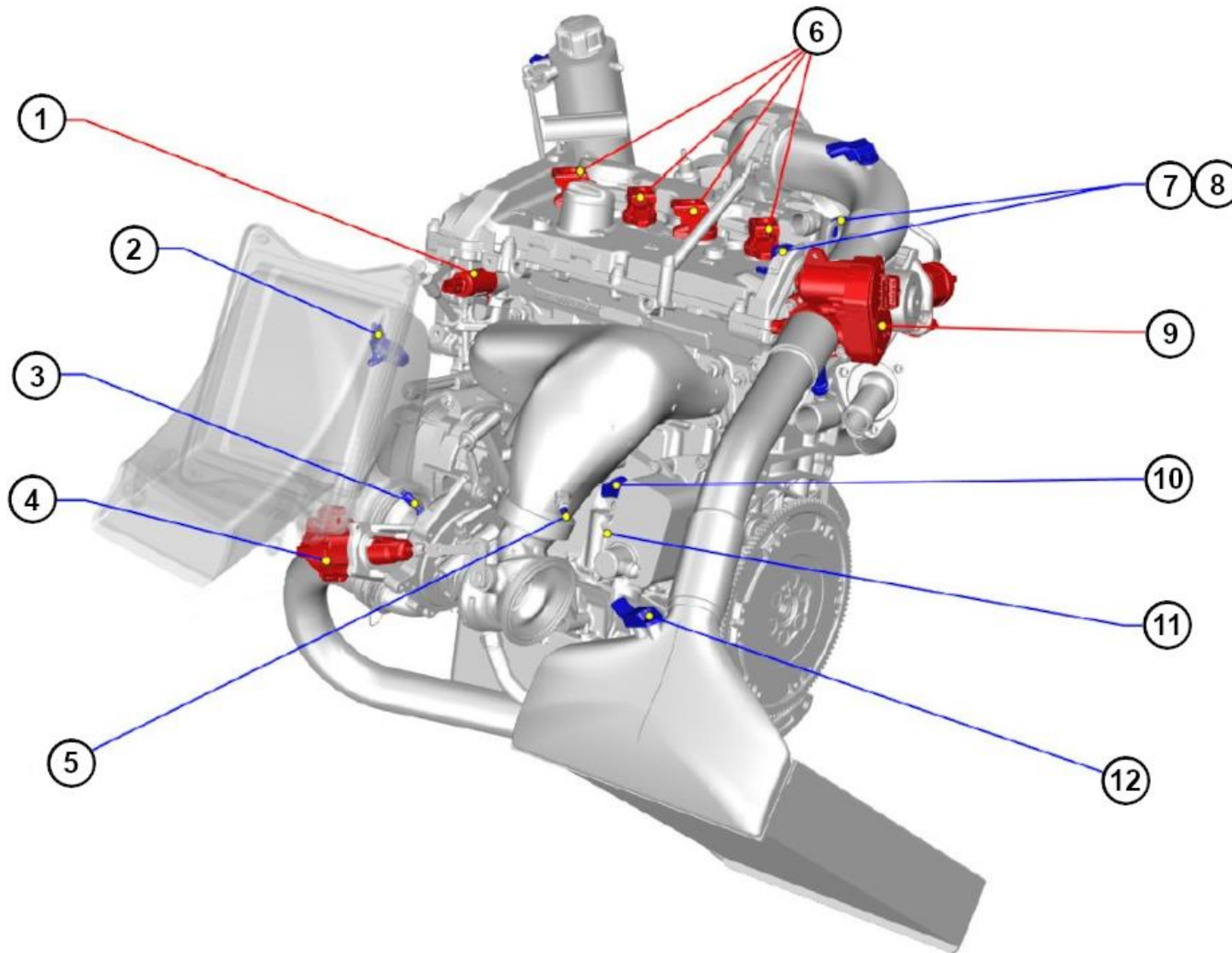
REP	REFERENCE	QTE	DESIGNATION
1	904861038A	1	Calculateur SRG 340-3 EVO <i>ECU SRG 340-3 EVO</i>
2	904470948C	1	Support calculateur <i>ECU bracket</i>
3	RC7617711	1	Sangle ECU <i>ECU Strap</i>
4	CS070013ST	3	Silent bloc M5 <i>M5 silent bloc</i>
5	PS82632A10	3	Vis BHC M5x8 <i>Screw BHC M5x8</i>
6	904577291A	1	Dongle USB licence WINTAX4 SAT <i>USB dongle license WINTAX4 SAT</i>
7	3Z9S89529A-OUT	1	Cable ethernet <i>Ethernet Cable</i>



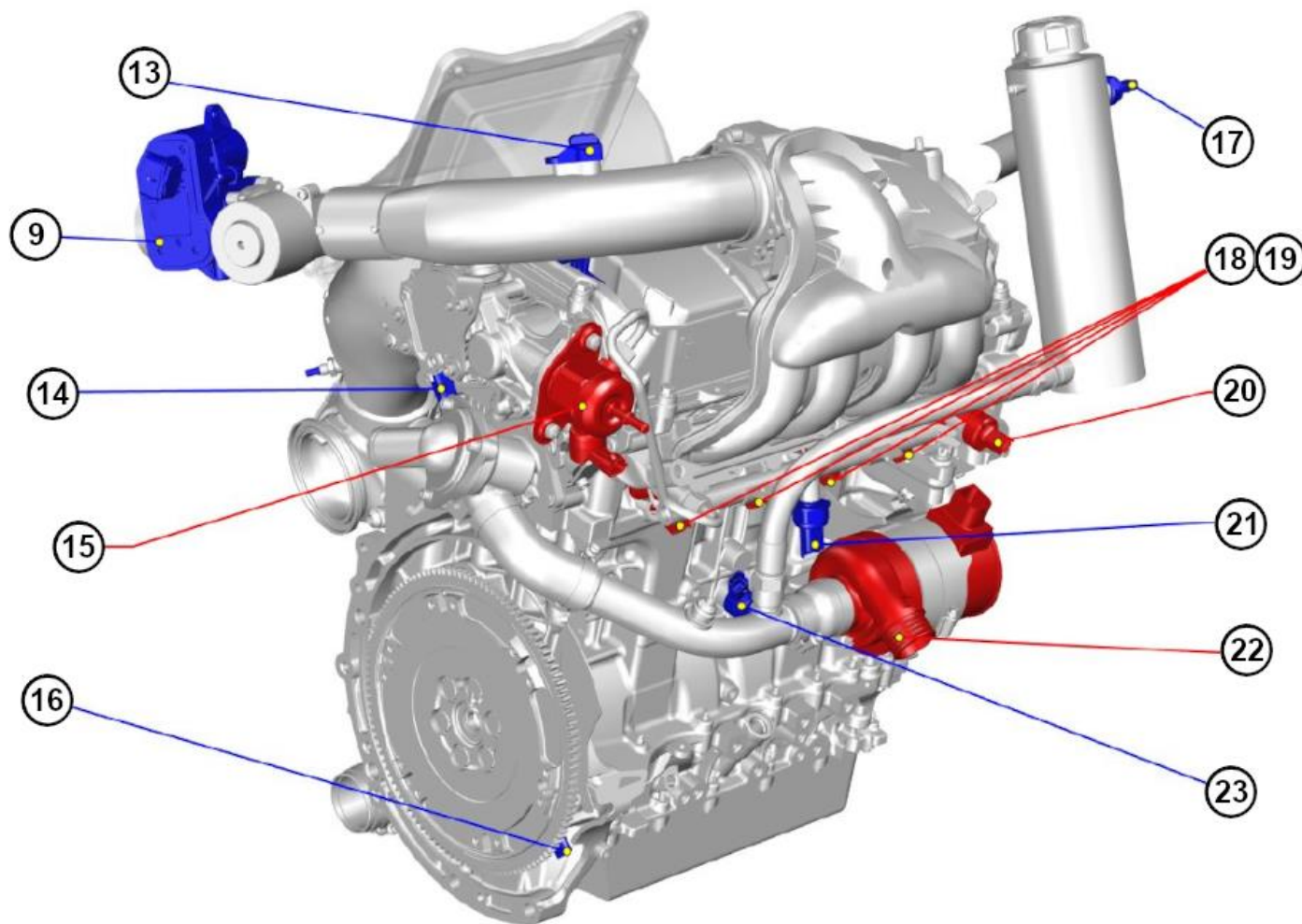
A37
CAPTEURS ET ACTIONNEURS
SENSORS AND ACTUATORS







REP	REFERENCE	QTE	DESIGNATION
1	904477638B	1	Vanos échappement câblé <i>Exhaust electro valve</i>
2	904613138A	1	Capteur de pression d'air câblé <i>Wired air pressure sensor</i>
3	0A2718634A	1	Capteur N turbo gainé <i>Turbo speed sensor</i>
4	A SUIVRE	1	Wastegate câblée <i>Wired wastegate</i>
5	904498478A	1	Capteur T3 assemblé <i>T3 sensor</i>
6	5970-91	4	Bobine d'allumage <i>Coil</i>
7	904476808A	1	Capteur SCAM admission câblé <i>Intake camshaft sensor</i>
8	904477648A	1	Capteur SCAM échappement câblé <i>Exhaust camshaft sensor</i>
9	904476858C	1	Boitier papillon câblé <i>Wired throttle body</i>
10	904476868B	1	Capteur pression huile câblé <i>Oil pressure sensor</i>
11	904476878C	1	Capteur température huile câblé <i>Oil temperature sensor</i>
12	9806432480	1	Capteur pression air P2P <i>P2P air pressure sensor</i>



REP	REFERENCE	QTE	DESIGNATION
13	904495668A	1	Capteur P2-T2 câblée B6 R5 <i>P2T2 sensor</i>
14	904476888C	1	Capteur température eau <i>Water temperature sensor</i>
15	904477668B	1	Pompe essence HP <i>HP pump</i>
16	904476798B	1	Capteur régime moteur câblé <i>Engine rev sensor</i>
17	904477608B	1	Capteur pression eau <i>Water pressure sensor</i>
18	9809802380	4	Injecteur <i>Injector</i>
19	1984H5	1	Injecteur EVO <i>Injector EVO</i>
20	904476838C	1	EV SCAM admission câblée <i>Intake electro valve</i>
21	904477678B	1	Rampe essence 200 bars câblée <i>Injection ramp 200bars</i>
22	904626248A	1	Pompe à eau câblée <i>Wired water pump</i>
23	904476818B	1	Capteur cliquetis câblé <i>Knock sensor</i>

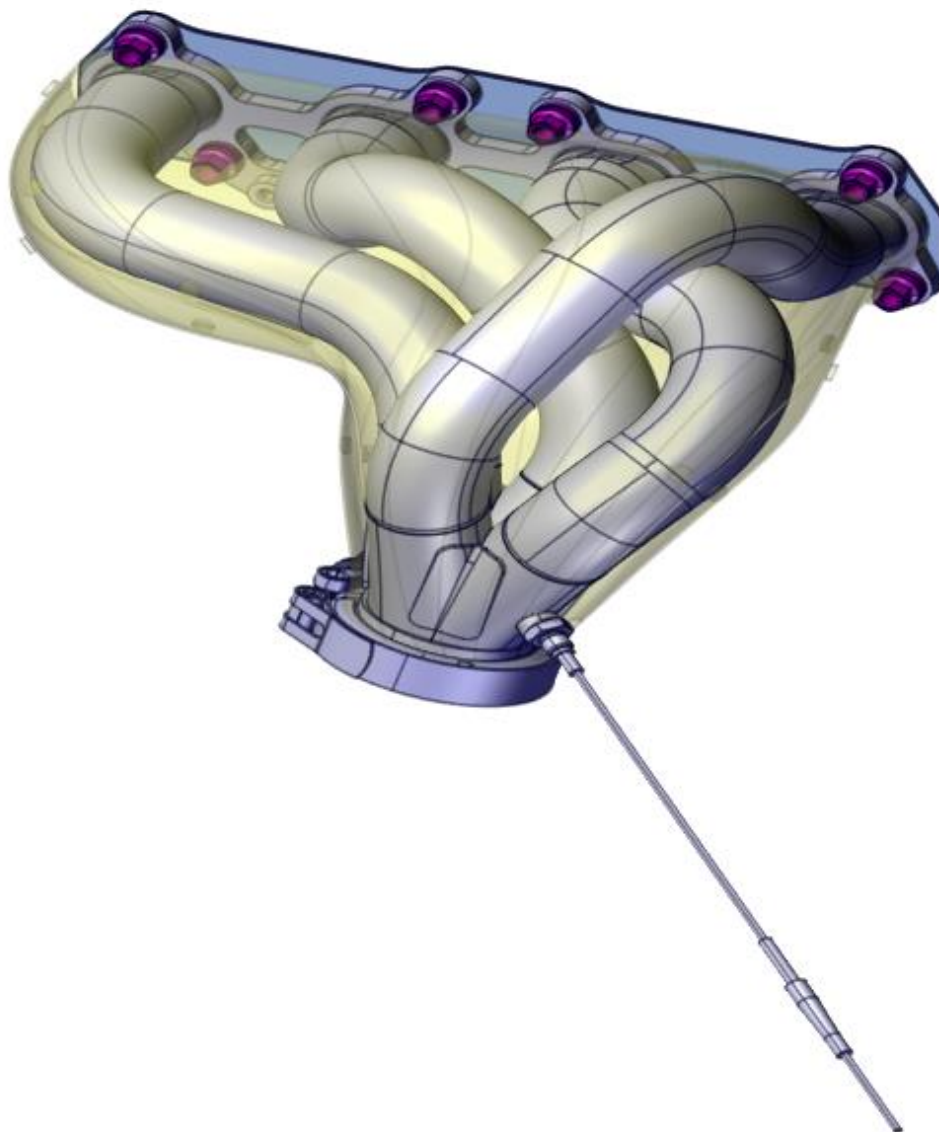


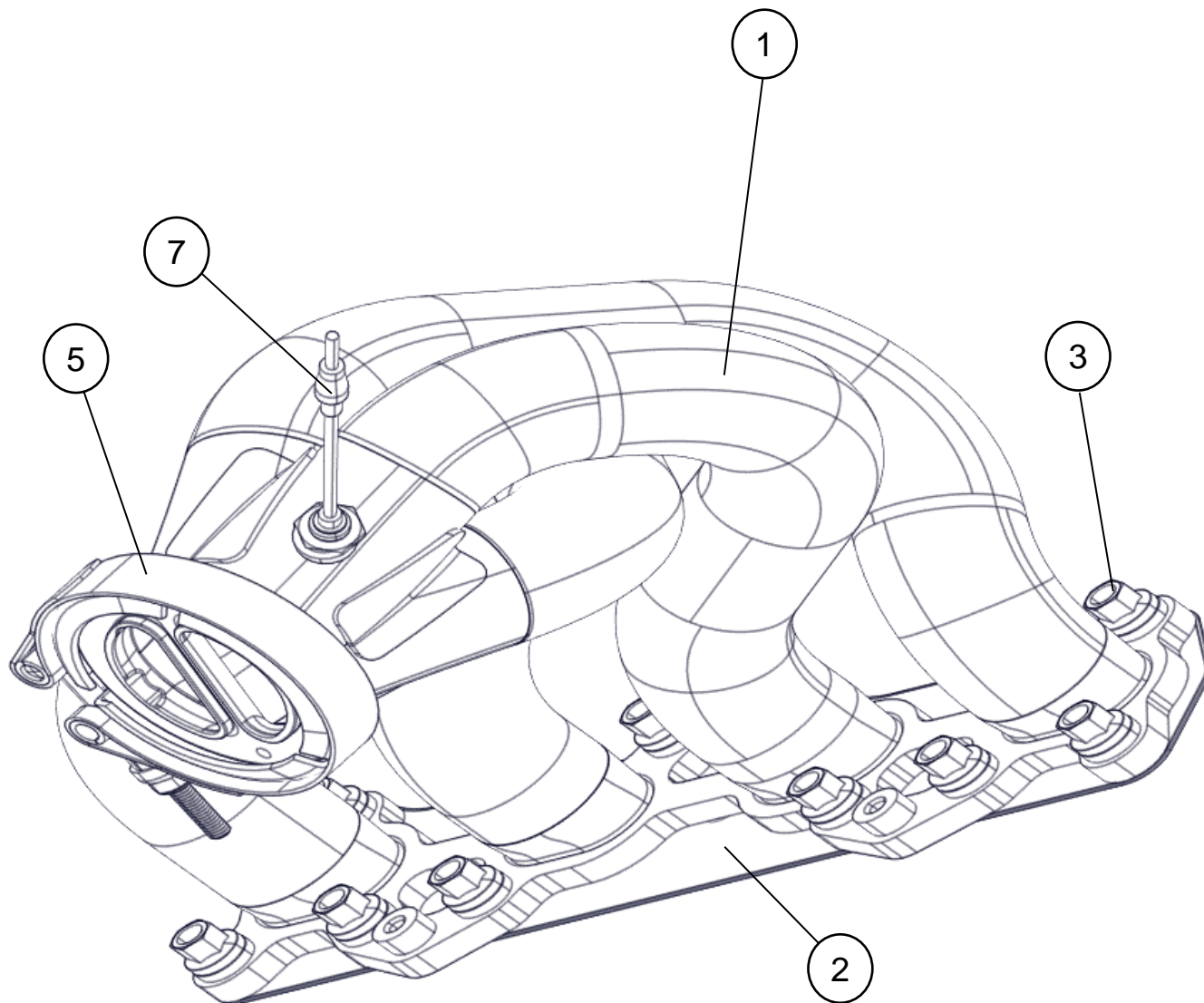
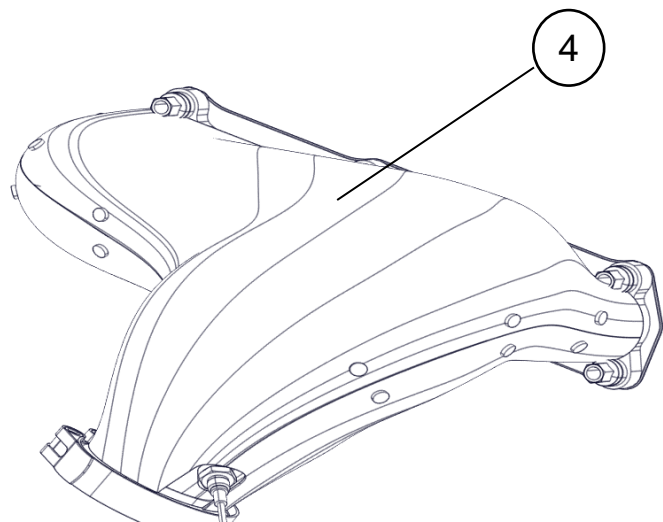
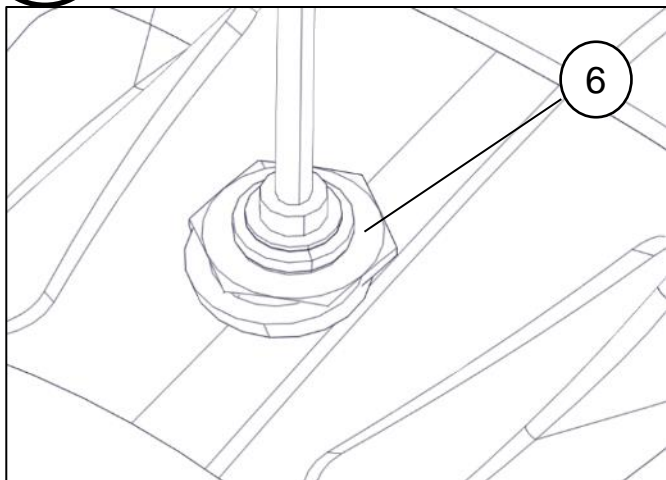
A41

COLLECTEUR D'ÉCHAPPEMENT

EXHAUST MANIFOLD







REP	REFERENCE	QTE	DESIGNATION
1	904695588A	1	COLLECTEUR ECHAPPEMENT Evo <i>Exhaust manifold Evo</i>
2	0A4126409A	1	Joint échappement <i>Exhaust manifold gasket</i>
3	0341P2	10	Ecrou à embase M8 <i>Flange copper nut M8</i>
4	904608408A	1	Ecran de collecteur <i>Exhaust manifold heat shield</i>
5	904482878A	1	COLLIER COLLECTEUR ECH ENTREE TURBO <i>Exhaust manifold / Turbo collar</i>
6	904499138A	1	SUPPORT SONDE T3 <i>T3 sensor mount</i>
7	904498478A	1	capteur T3 assemblé B6 R5 <i>T3 sensor C3R5</i>

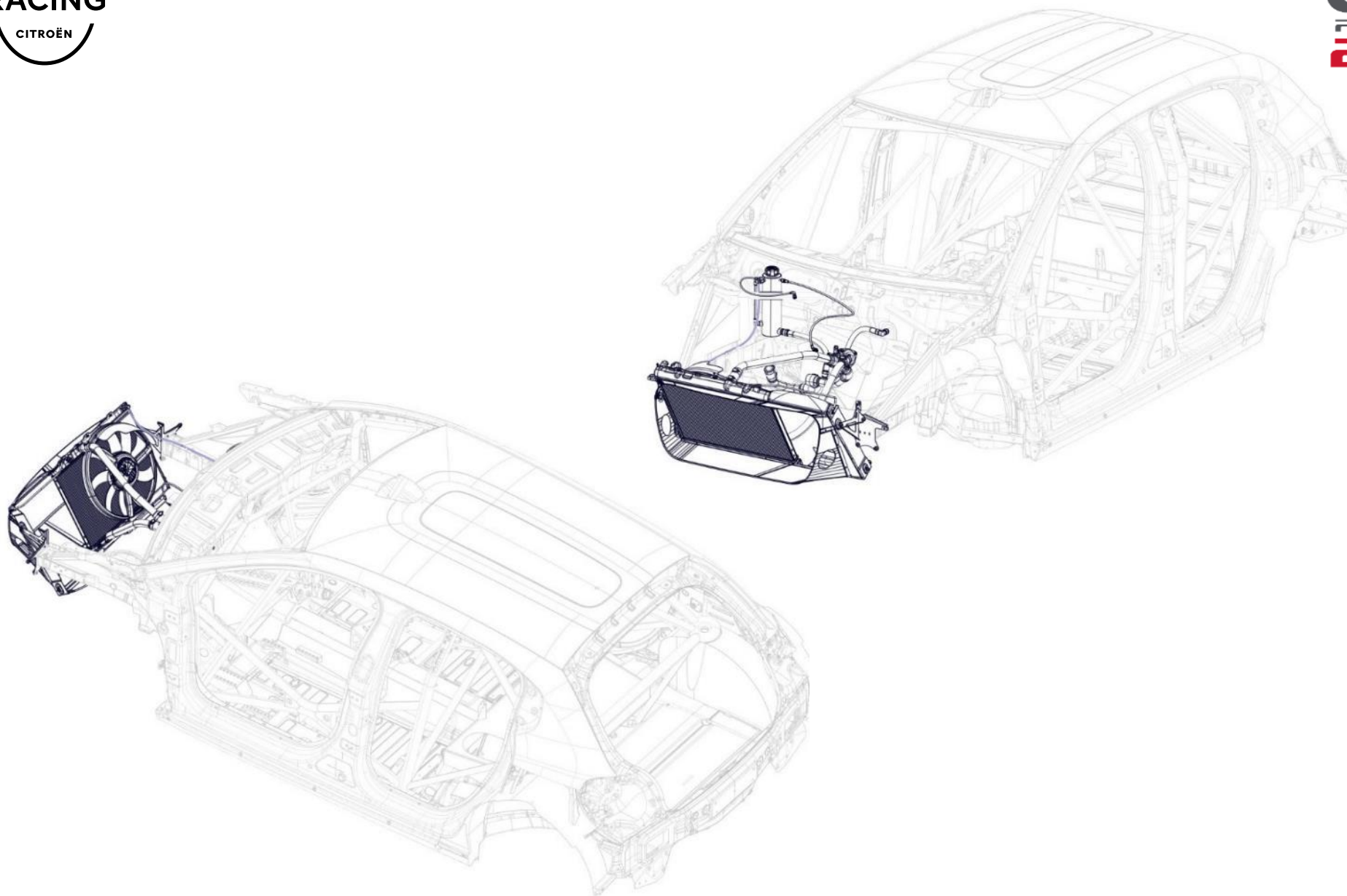


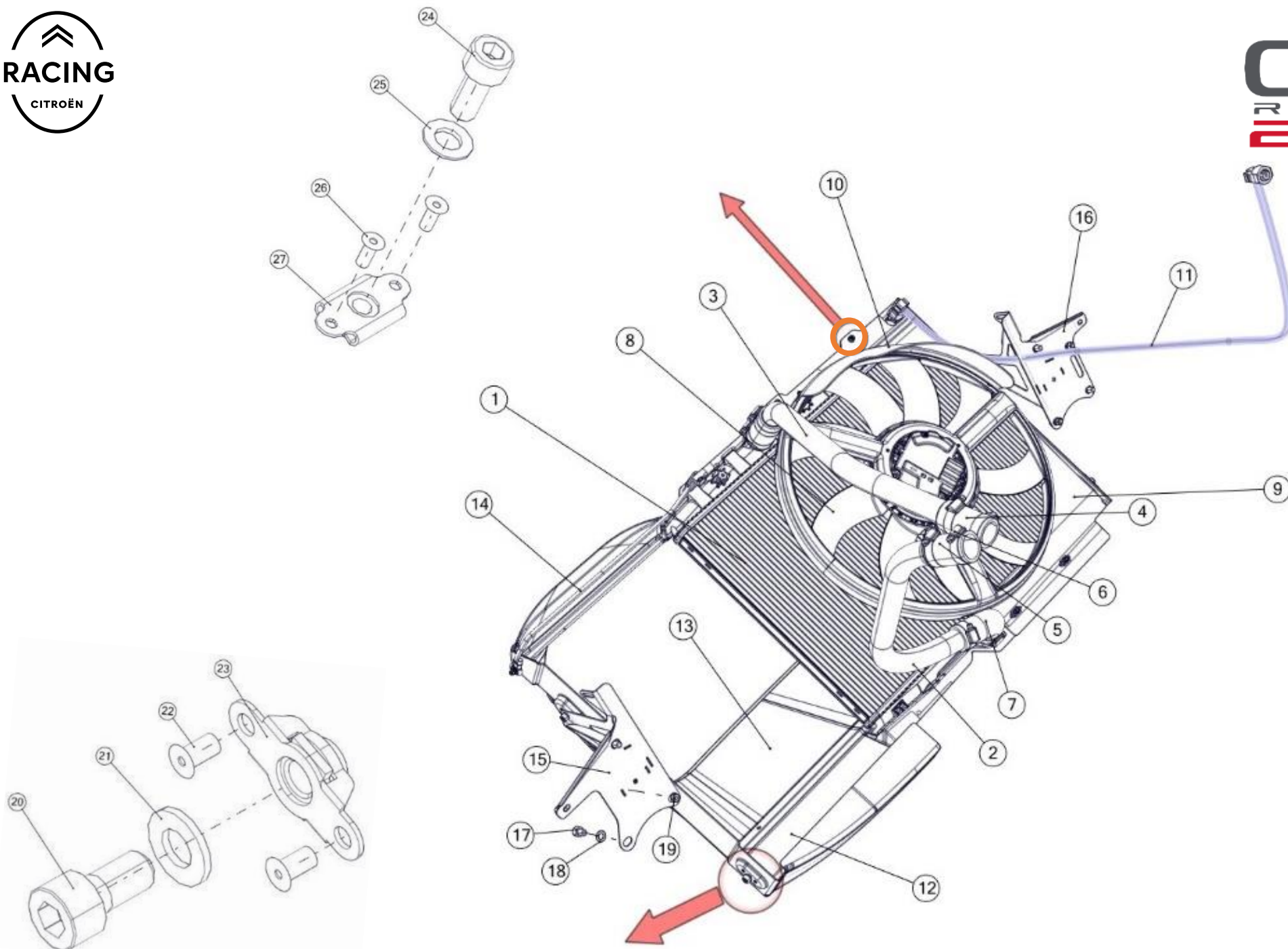
B12

RADIATEUR EAU

WATER RADIATOR

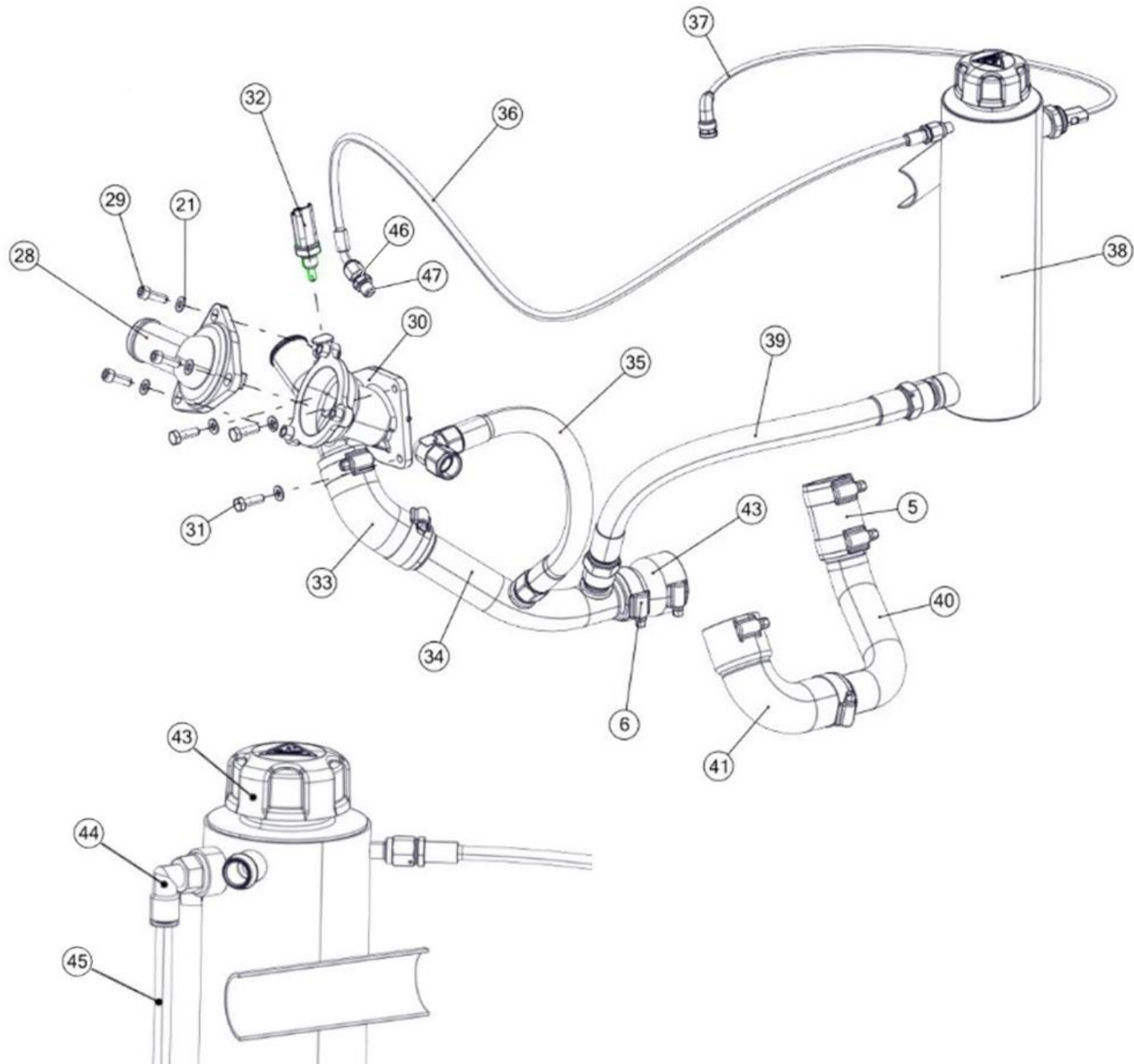






REP	REFERENCE	QTE	DESIGNATION
1	904498828B	1	Radiateur eau modifié <i>Water radiator modified</i>
2	904486108B	1	Tube sortie radiateur <i>Radiator outlet pipe</i>
3	904485748B	1	Tube entree radiateur <i>Radiator inlet pipe</i>
4	904614548A	1	Manchon D32 L70 <i>Hose D32 L70</i>
5	904486518A	3	Manchon D32 L60 <i>Hose D32 L60</i>
6	CS160085ST	16	Collier de serrage TORRO <i>TORRO Collar</i>
7	904486638A	1	Durite D32 90deg <i>Elbow flexible D32</i>
8	9805897480	1	Motoventilateur <i>Water fan</i>
9	904473698C	1	Support motoventilateur <i>Motor fan mount</i>
10	904601938A	1	Déflexeur motoventilateur <i>Motor fan deflector</i>
11	904496068C	1	Tuyau dégazage radiateur <i>degassing pipe</i>
12	904473438E	1	Cassette radiateur <i>Radiator box</i>
13	904473448D	1	Ecope radiateur <i>Radiator duct</i>
14	904608558A	1	Sandow RAS <i>Intercooler strap</i>
15	904476478D	1	Support cassette gauche <i>left radiator bracket</i>
16	904476468D	1	Support cassette droite <i>Right radiator bracket</i>
17	PS82621A10	8	Vis CHC M8 L12 <i>CHC screw M8 L12</i>

REP	REFERENCE	QTE	DESIGNATION
18	PS86510A10	8	Rondelle ondullex D8 <i>Washer D8</i>
19	PS74040A10	4	Ecrou H M6 <i>H nut M6</i>
20	PS82119A10	4	Vis CHC M6 L12 <i>CHC screw M6 L12</i>
21	PS86047A10	4	Rondelle D6x12x1.2 <i>Washer D6x12x1.2</i>
22	PS92565A10	8	Rivet TF Alu 3.2x6 <i>Rivet 3.2x6</i>
23	PS74673A10	4	Ecrou prisonnier M6x1.00 <i>Nut M6x1.00</i>
24	PS82027A10	4	Vis CHC M5 L12 <i>CHC screw M5 L12</i>
25	6947-81	4	Rondelle D5x10x.8 <i>Washer D5x10x1.8</i>
26	PS92617A10	8	Rivet TF Alu 2.4x6 <i>Rivet 2.4x6</i>
27	PS74677A10	4	Ecrou prisonnier M5 <i>Nut M5</i>
51	1637756480	1	Liquide refroidissement 5L <i>Coolant fluide 5L</i>



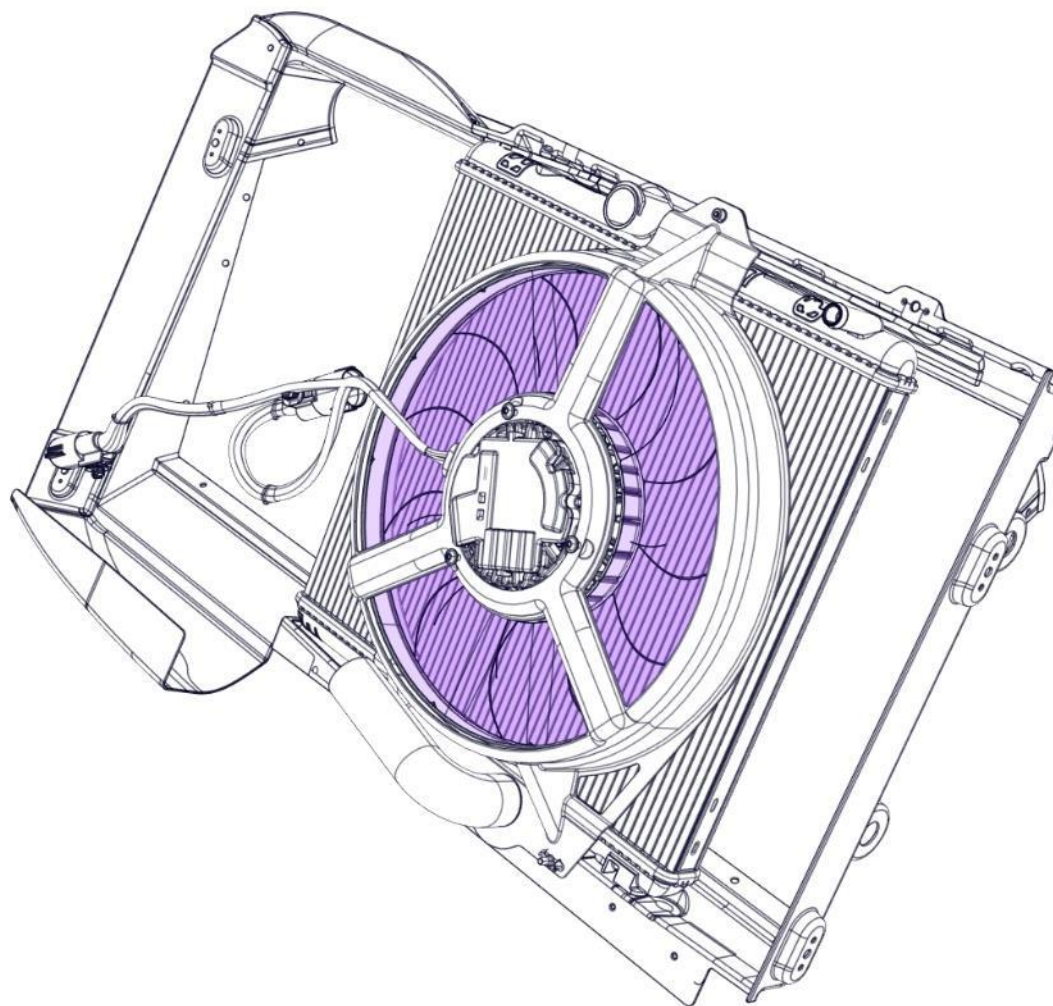
REP	REFERENCE	QTE	DESIGNATION
28	904471028A	1	Calorstat <i>Thermostat</i>
29	PS82057A10	3	Vis CHC M6 L18 <i>CHC screw M6 L18</i>
21	PS86047A10	6	Rondelle Plate D6x14x1 <i>Washer D6x14x1</i>
30	PS84526A10	3	Vis H M6 L20 <i>H screw M6 L20</i>
31	904486068B	1	Boitier sortie eau <i>Thermostatic box</i>
32	904476888C	1	Capteur température eau <i>Water temperature sensor</i>
33	904486568A	1	Durite D32 coude 45° <i>45° elbow flexible</i>
34	904486218B	1	Tube pompe BSE <i>pump to Thermostat pipe</i>
35	904489868A	1	Tuyau retour pompe <i>Return pipe</i>
36	904495498D	1	Tuyau débullage <i>Degasing pipe</i>
37	904477608B	1	Capteur pression eau <i>water pressure sensor</i>
38	904480018B	1	Boite à eau <i>Water tank</i>
39	904495798B	1	Tuyau alimentation pompe à eau <i>Water pump feeding pipe</i>
40	904486498A	1	Tube pompe à eau moteur <i>Water pump to engine pipe</i>
41	904486658A	1	Durite D32 elbow 90° <i>90° elbow hose</i>
42	0B1242743A	1	Manchon reduction D39 D30 <i>D39 D30 hose</i>
43	1306J5	1	Bouchon pression boite à eau <i>Water tank cap</i>

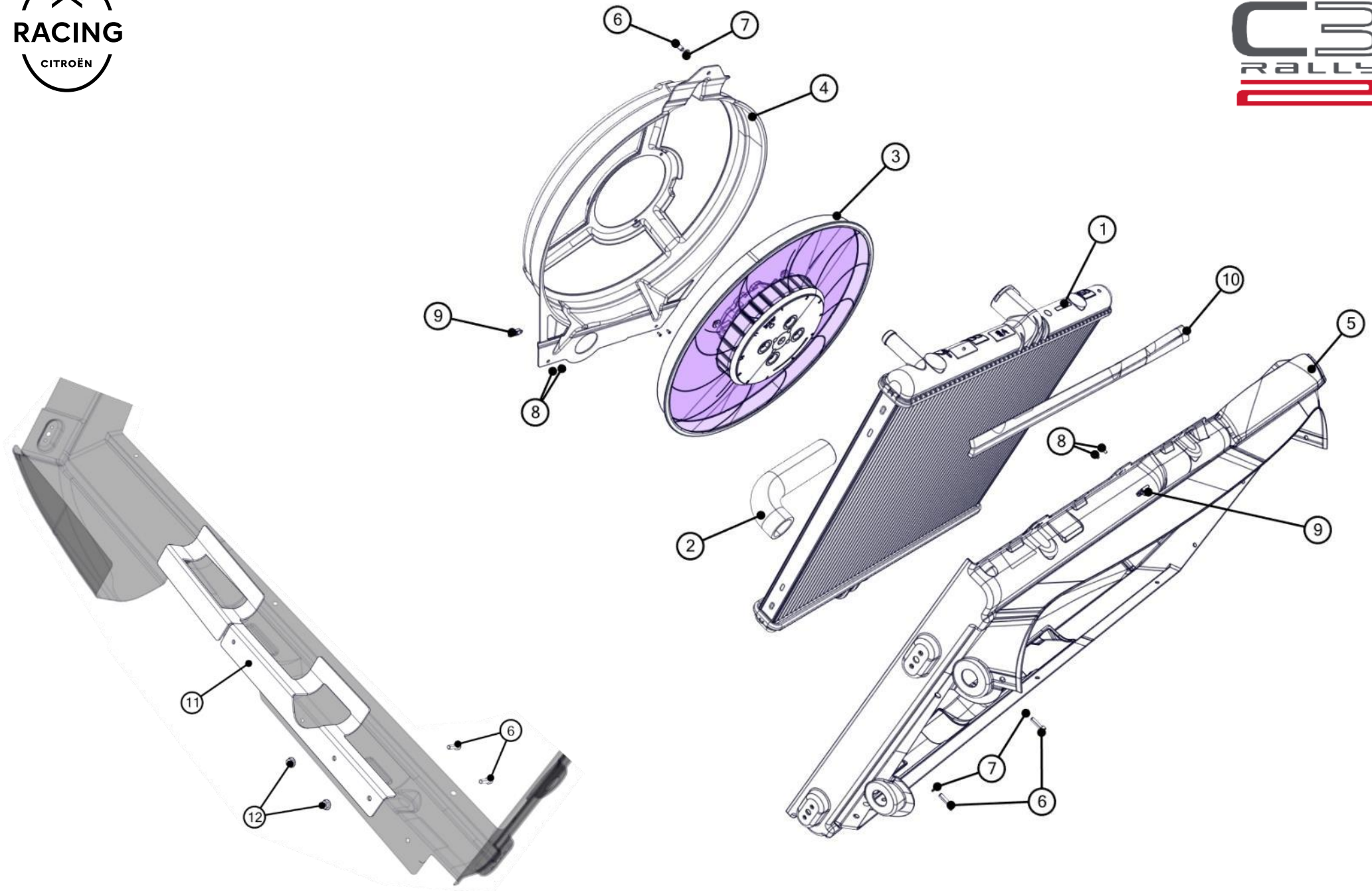
REP	REFERENCE	QTE	DESIGNATION
44	ST04100018	2	Festo NPQH L D8 <i>D8 NPQH Festo fitting</i>
45	904495938A	1	Tube FEP 140 D8x6 <i>D8x6 FEP pipe</i>
46	PS73035A10	1	Adaptateur M10x1/Dash3 M/M <i>Adaptateur M10x1/Dash3 M/M</i>
47	PS81031A10	1	Joint cuivre Ø10,2x13,9x1 <i>Copper seal Ø10,2x13,9x1</i>
48	904625358A	1	CALE SUPPORT GMV <i>Fan bracket spacer</i>
49	1622749580	9	AGGRAFFE DEMONTABLE <i>Removable staple</i>
50	ST08300009-450	2	Gaine ifnifugée 450mm dash6 <i>Thermal protection 450mm dash6</i>



B12
RADIATEUR EAU 2024
WATER RADIATOR 2024







REP	REFERENCE	QTE	DESIGNATION
1	904954708B	1	Radiateur refroidissement équipé 2024 <i>Equipped water radiator 2024</i>
2	904954718A	1	Durite D32 90° <i>Hose D32 90°</i>
3*	9826929880	1	GMV 2024 <i>Radiator fan 2024</i>
4	904949948B	1	Support GMV 2024 <i>Radiator fan bracket 2024</i>
5	904952738B	1	Cassette radiateur 2024 <i>Radiator bracket 2024</i>
6	PS82765A10	3	Vis CHC M5x18 <i>CHC screw M5x18</i>
7	6947-81	3	Rondelle D5x10x1.8 <i>Washer D5x10x1.8</i>
8	PS92617A10	6	Rivet TF alu Ø2,4x6 <i>Rivet TF Ø2,4x6</i>
9	PS74677A10	3	Ecrou prisonnier D5 flottant <i>Flotting nut D5</i>
10	1606409780	1	Mousse L500 <i>Foam L500</i>
11**	904952851A	1	Outil découpe cassette radiateur <i>Radiator bracket cutting tool</i>
6	PS82765A10	2	Vis CHC M5x18 <i>CHC screw M5x18</i>
12	693639	2	Ecrou à embase M5 <i>Collar nut M5</i>

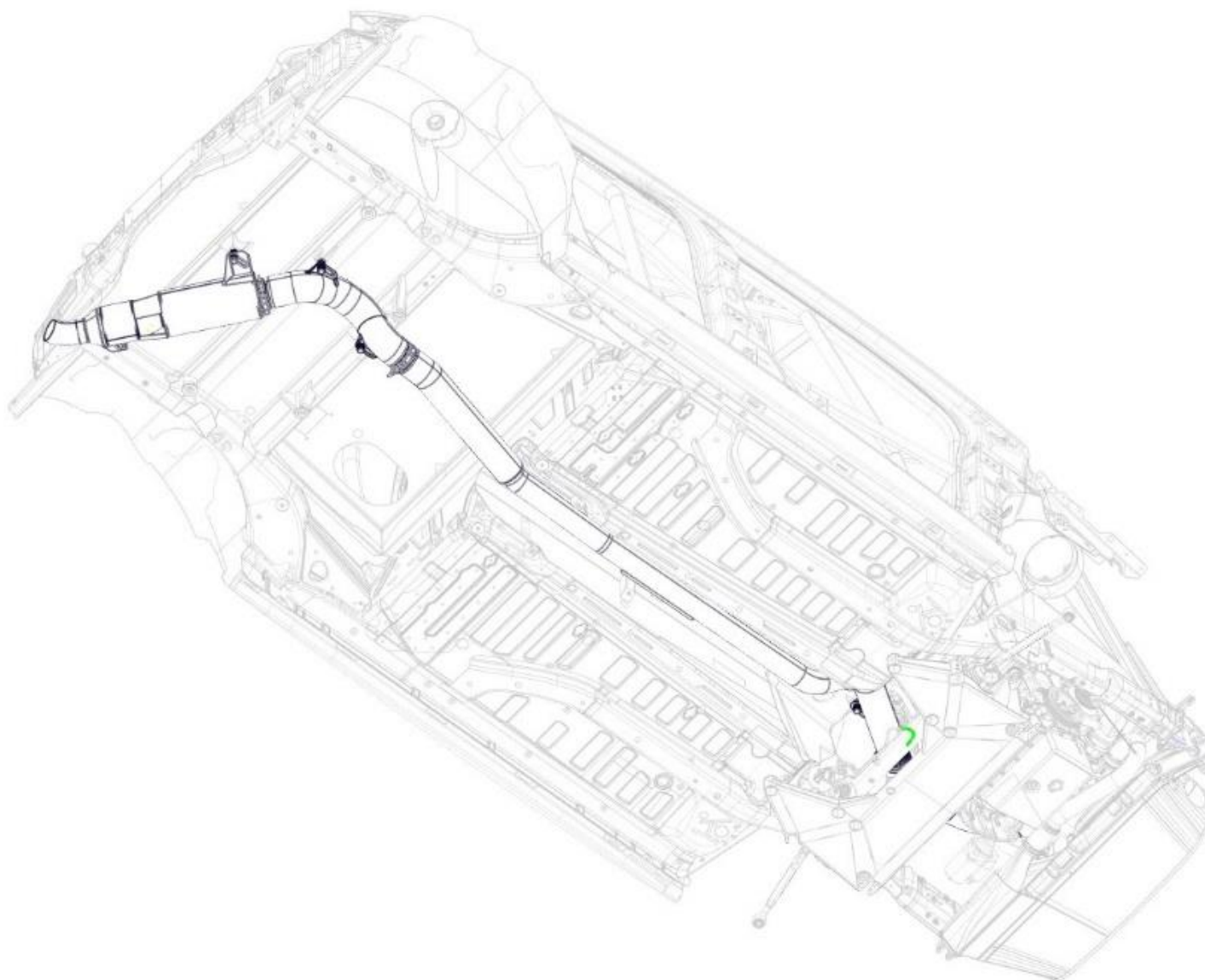
* : Support d'origine à retirer
Original bracket to dismount

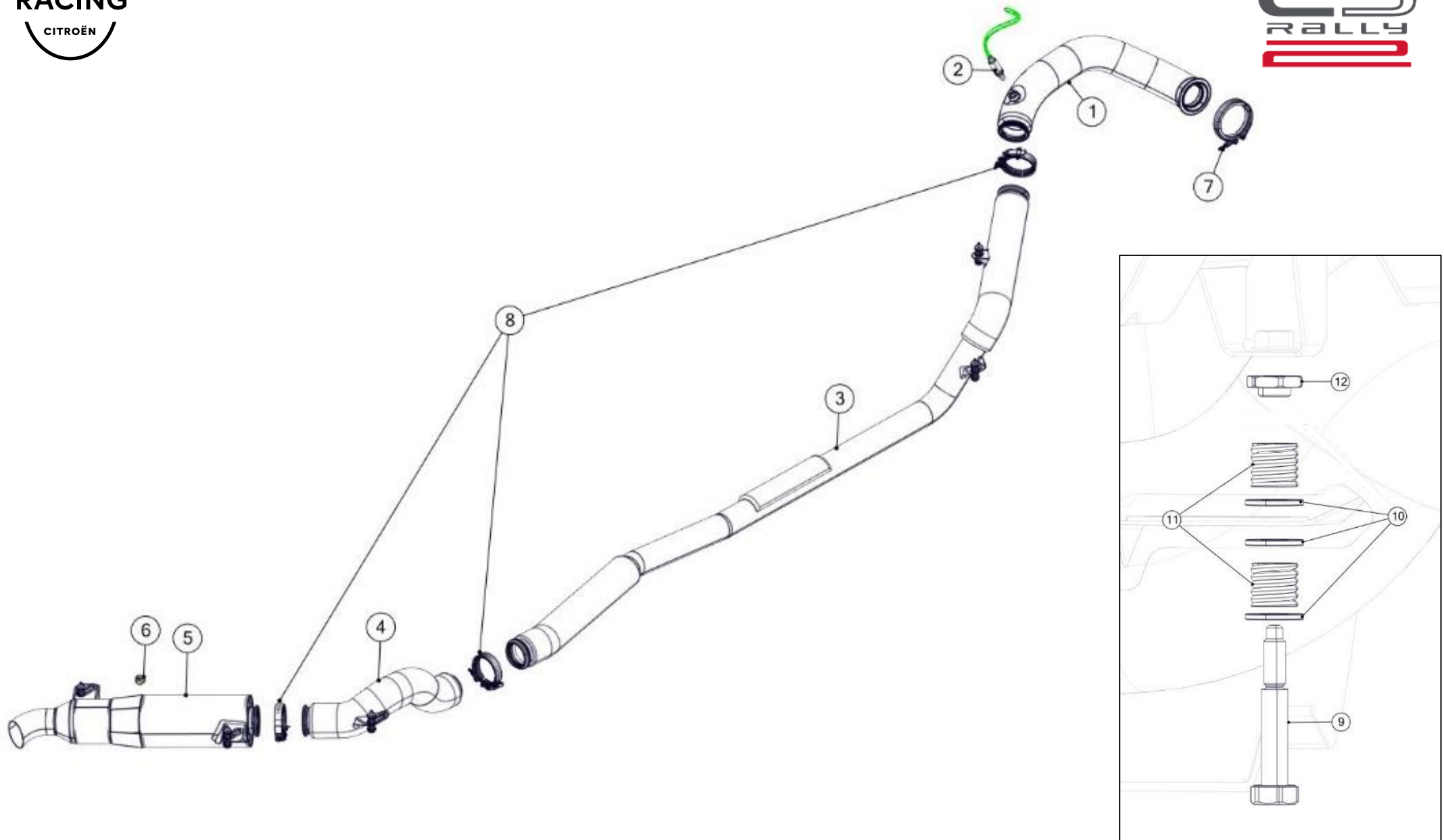
** : Outil pour modifier la cassette 904473438E en 904952738B
Tool to modify bracket 904473438E to 904952738B



B21
ECHAPPEMENT
EXHAUST LINE





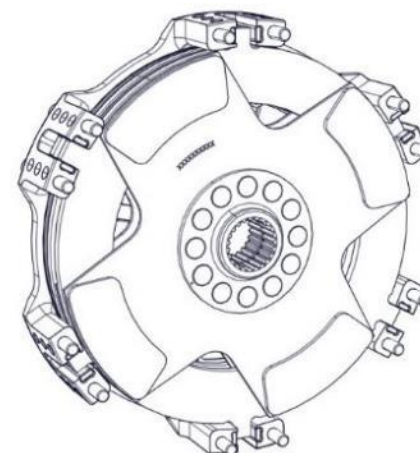
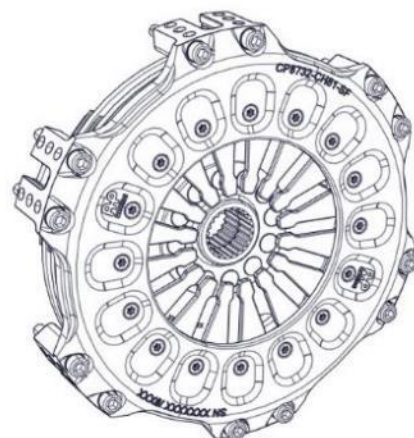
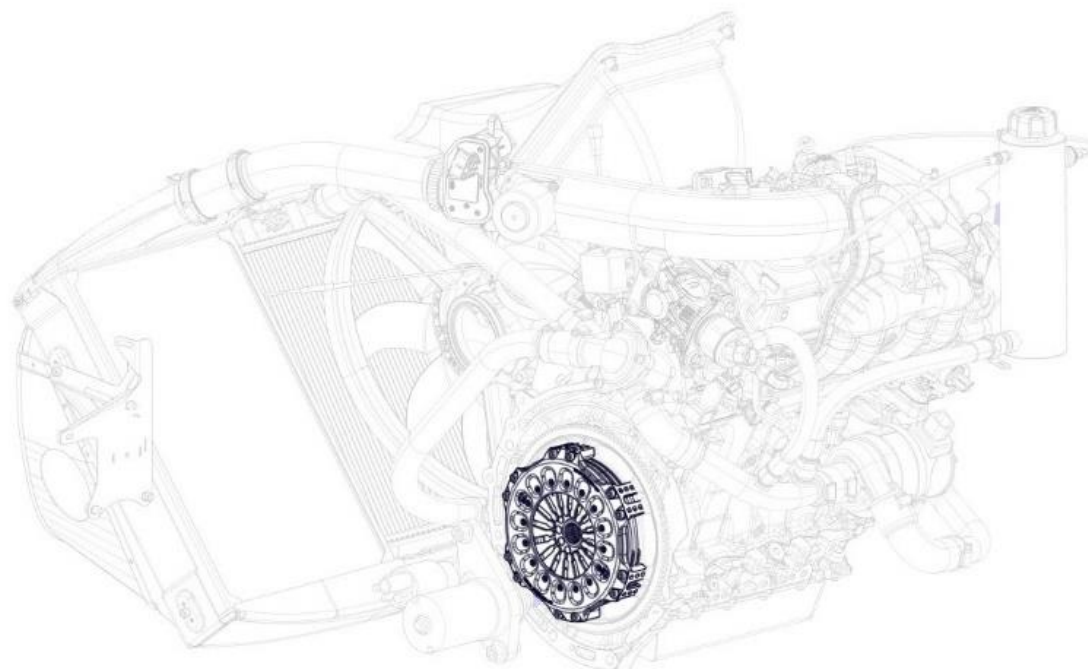


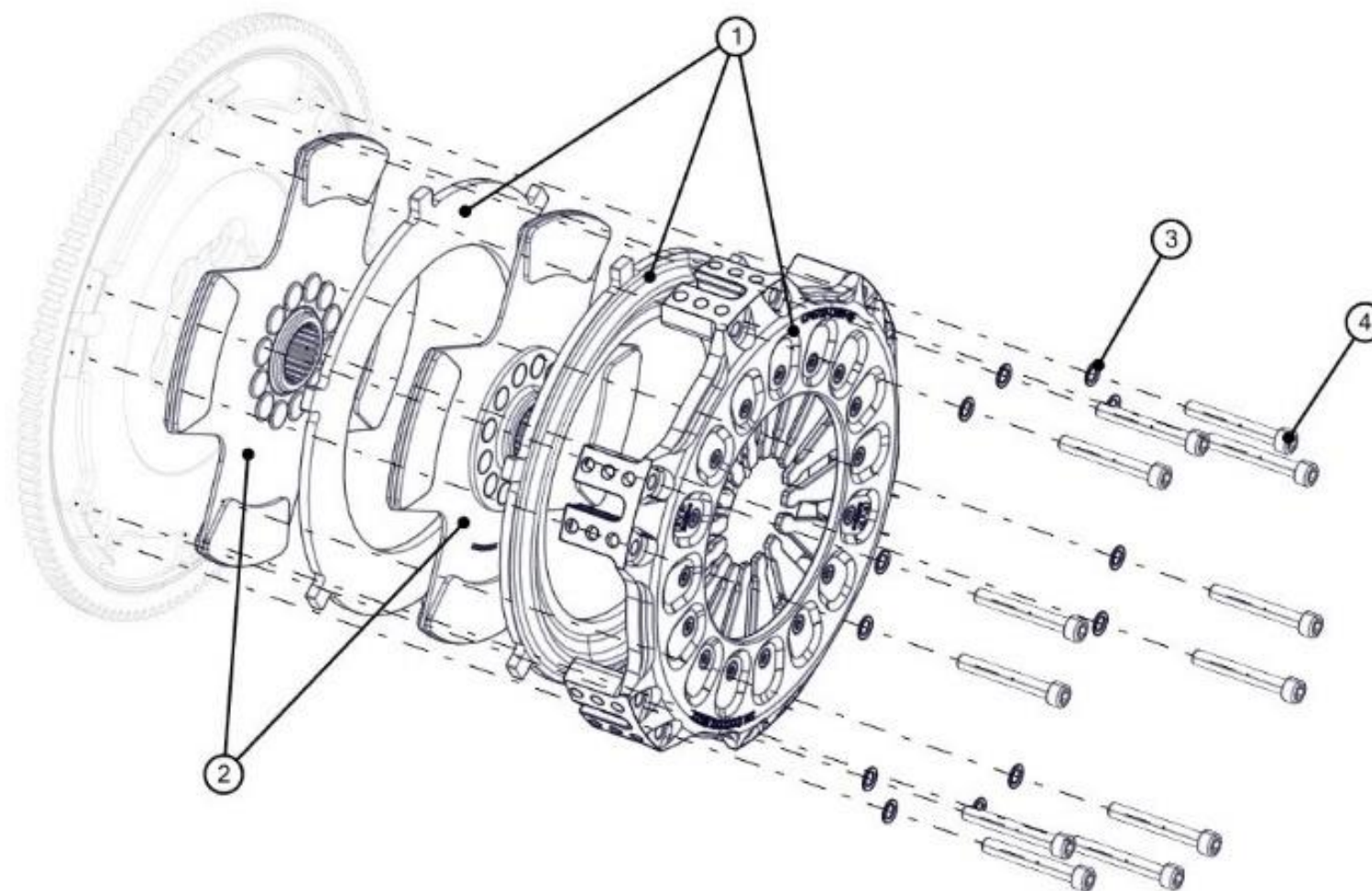
REP	REFERENCE	QTE	DESIGNATION
1	904640628B	1	Ligne sortie turbo <i>Turbo exit pipe</i>
2	1628PW	1	Sonde lambda <i>Lambda Sensor</i>
3	904492908F	1	Ligne primaire <i>Primary pipe</i>
4	904495838E	1	Ligne secondaire <i>Secondary pipe</i>
5	904477848G	1	Ligne catalyseur <i>Catalitic converter</i>
6	1714-A2	1	Bouchon Fileté M18x150 <i>Plug M18x150</i>
7	904482888A	1	Collier fixation ø109 <i>Collar ø109</i>
8	904482898A	3	Collier fixation ø85 <i>Collar ø85</i>
9	PS82135A10	5	Vis CHC M8x125 L65 <i>Screw CHC M8x125 L65</i>
10	694779	15	Rondelle 8x22x2.5 <i>Washer 8x22x2.5</i>
11	ST04200009	10	Ressort <i>Spring</i>
12	904477898A	5	Rondelle ressort <i>Spring washer</i>



C11 EMBRAYAGE *CLUTCH*







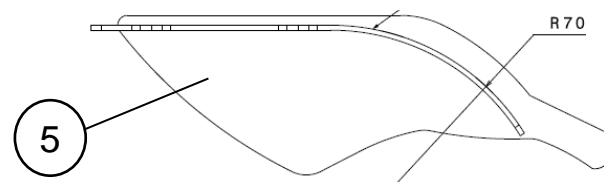
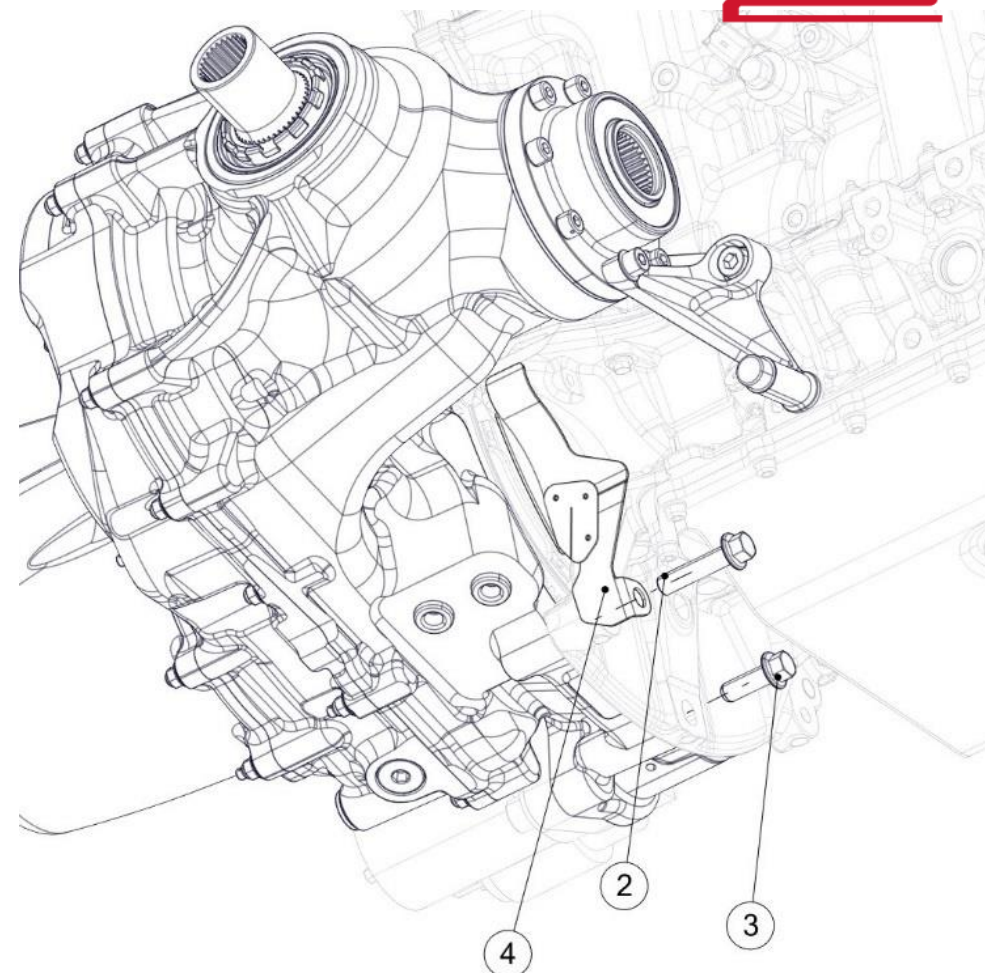
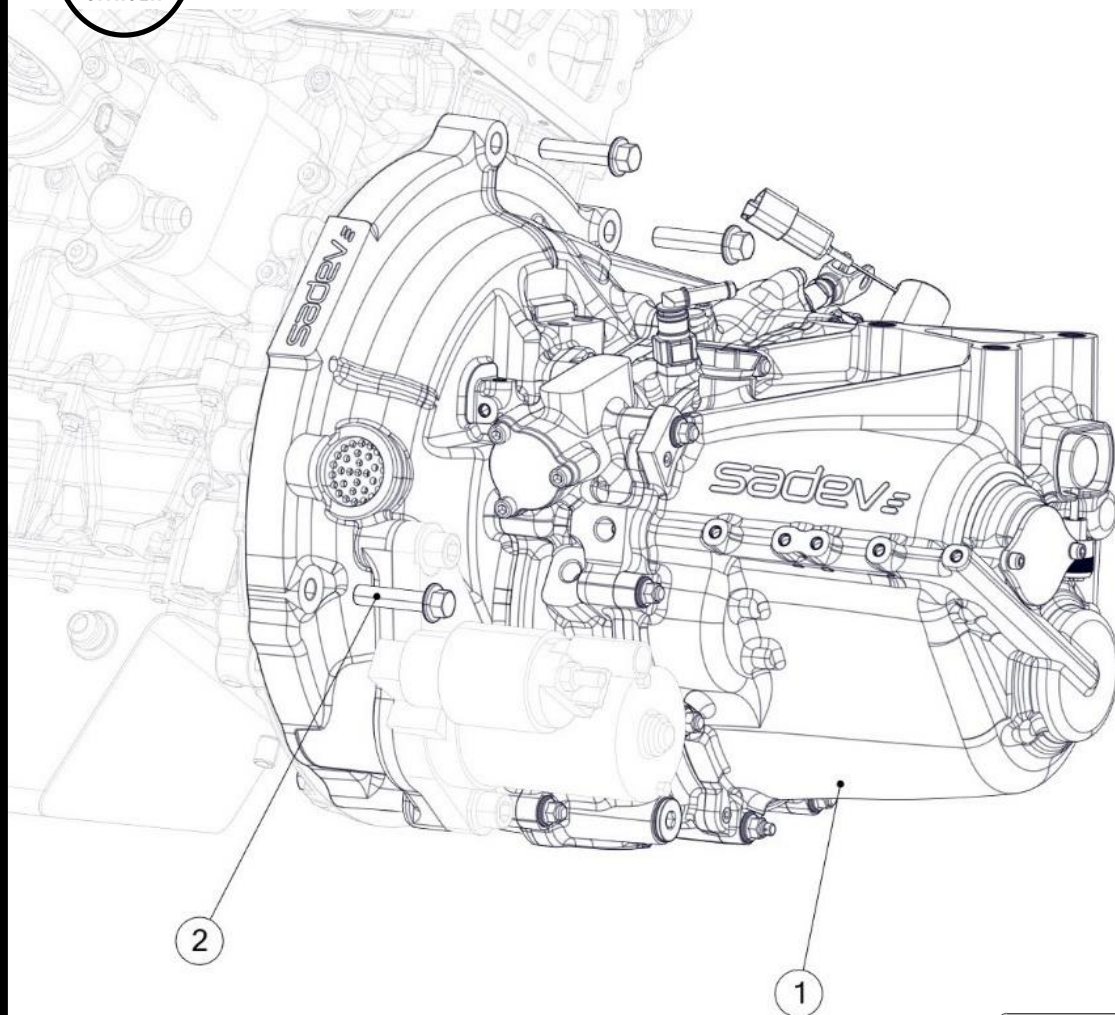
REP	REFERENCE	QTE	DESIGNATION
1	1C1122254B	1	Mécanisme embrayage <i>Clutch Assembly</i>
2	1C1122260A	2	Disque d'embrayage <i>Clutch Disc</i>
3	PS86098A10	12	Rondelle SPS D6 <i>D6 Washer</i>
4	PS82039A10	12	Vis CHC M6X100 L45 <i>Screw CHC M6X100 L45</i>



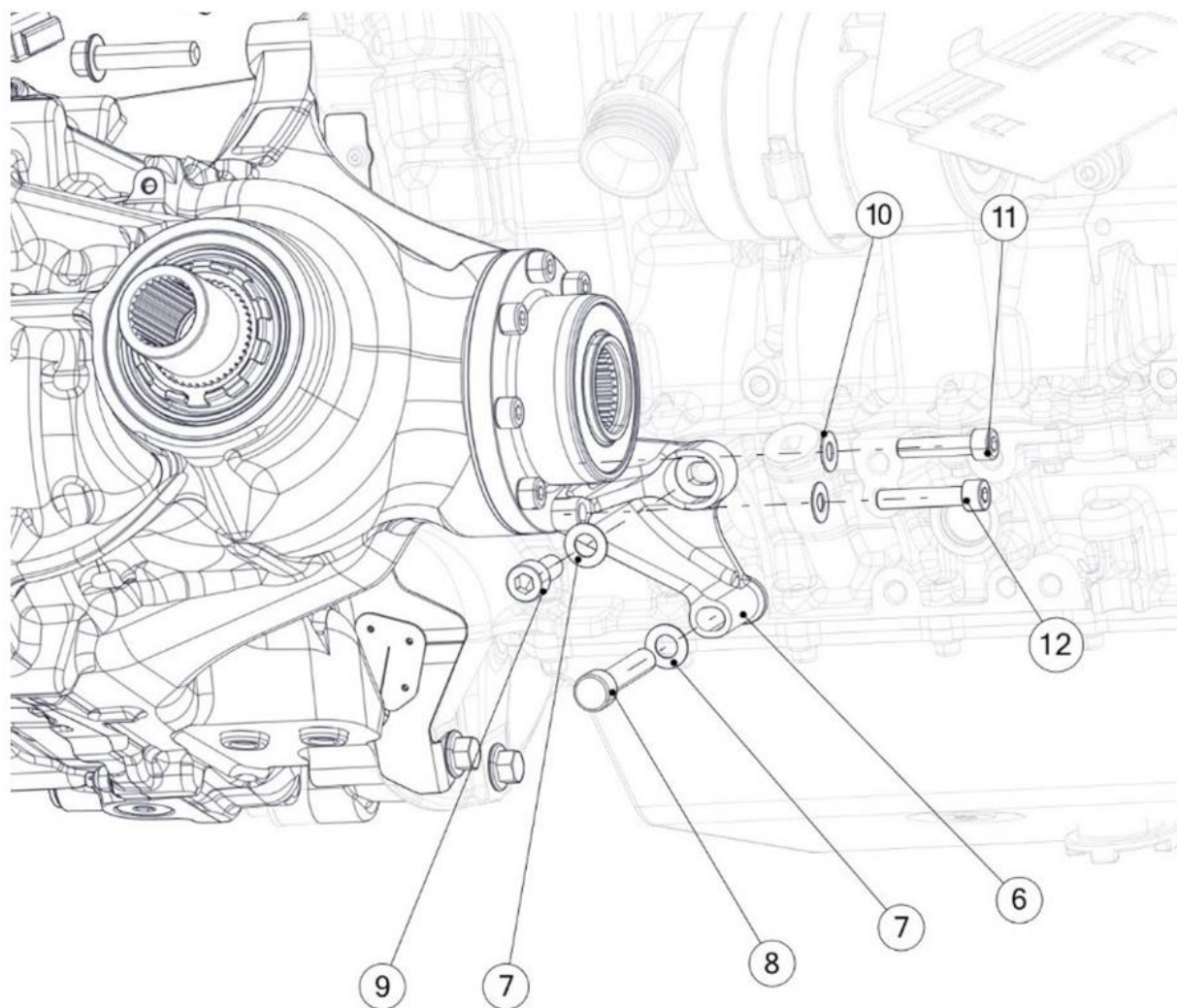
C23 BV *GEARBOX*







REP	REFERENCE	QTE	DESIGNATION
1	904863278A	1	BOITE VITESSE 40/75 8FF Courte <i>GEARBOX 40/60 8FF Short Ratio</i>
2	904481408B	5	VIS BV M10X150 LNG 45 <i>Gearbox screw M10x150 L45</i>
3	904613878A	1	VIS BV M10X150 LNG 30 <i>Gearbox screw M10x150 L30</i>
4	904604998B	1	CACHE BV INF <i>LOWER GEARBOX COVER</i>
5	904604988A	1	CACHE BV SUP <i>UPPER GEARBOX COVER</i>
13	6925G5	1	VIS A EMBASE DIAM 6X100-20 <i>Flange screw D6x100 L20</i>
14	1920LS	1	CAPTEUR POSTION AAC (vitesse FIA) <i>Camshaft sensor (FIA speed)</i>
15	904895438A	4	HUILE BV ELF HTX750 1L <i>Gearbox Oil ELF HTX750 1L</i>

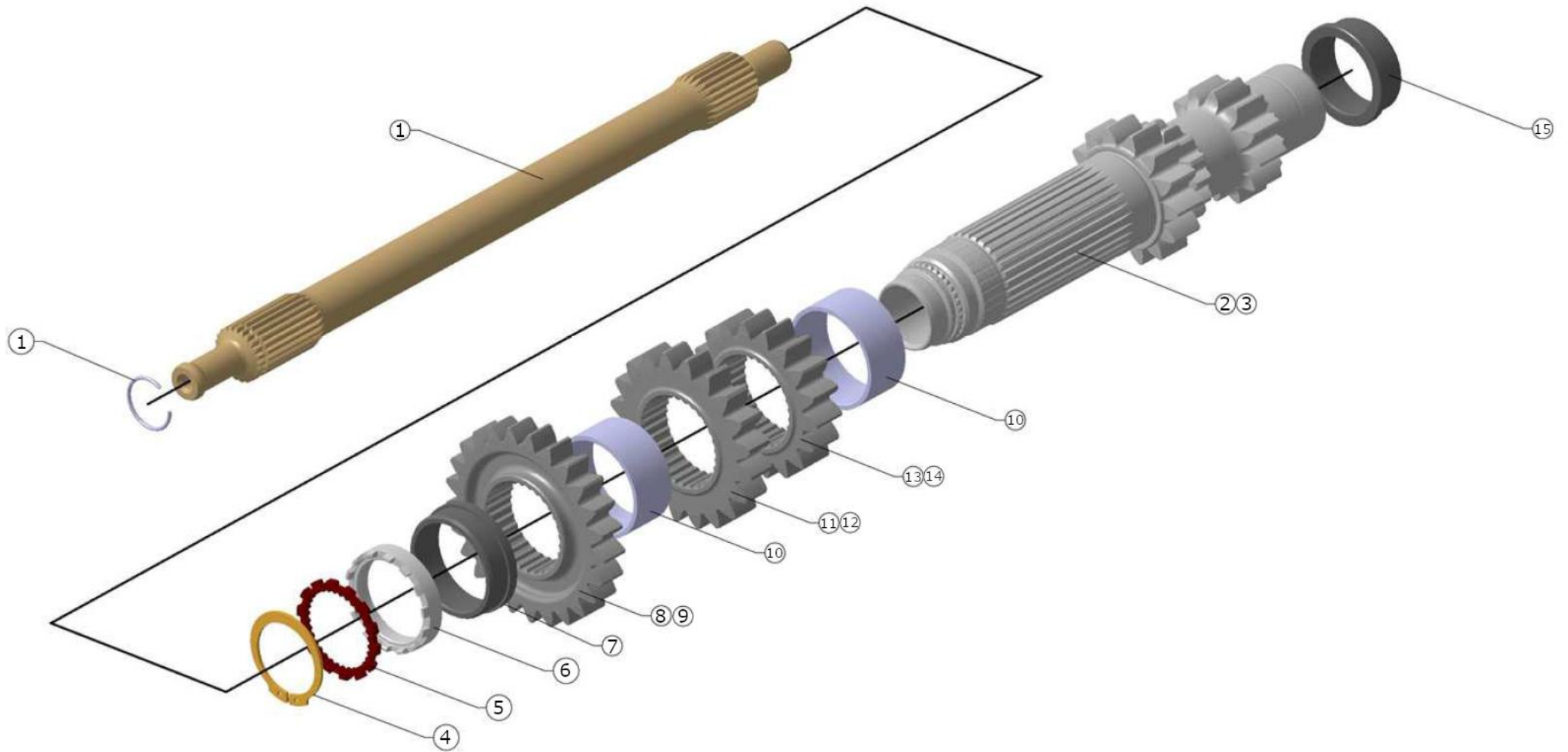


REP	REFERENCE	QTE	DESIGNATION
6	904478558B	1	RENFORT BV <i>Gearbox reinforcement bracket</i>
7	PS86538A10	2	RONDELLE ONDULEE 10 TYPE B <i>Spring Washer D10 type B</i>
8	PS82145A10	1	VIS M10X55 <i>SCREW M10X55</i>
9	PS82094A10	1	VIS CHC M10X25 <i>SCREW M10x25</i>
10	PS86510A10	2	RONDELLE OND DIAM. 8 <i>ONDULATED WASHER D8</i>
11	PS82082A10	1	VIS CHC M8X35 CL.12.9 <i>SCREW CHC M8X35 CL.12.9</i>
12	PS82010A10	1	VIS CHC M8X40 CL.12.9 <i>SCREW CHC M8X40 CL.12.9</i>



C231
BV – LIGNE PRIMAIRE
GEARBOX – PRIMARY GEARTRAIN



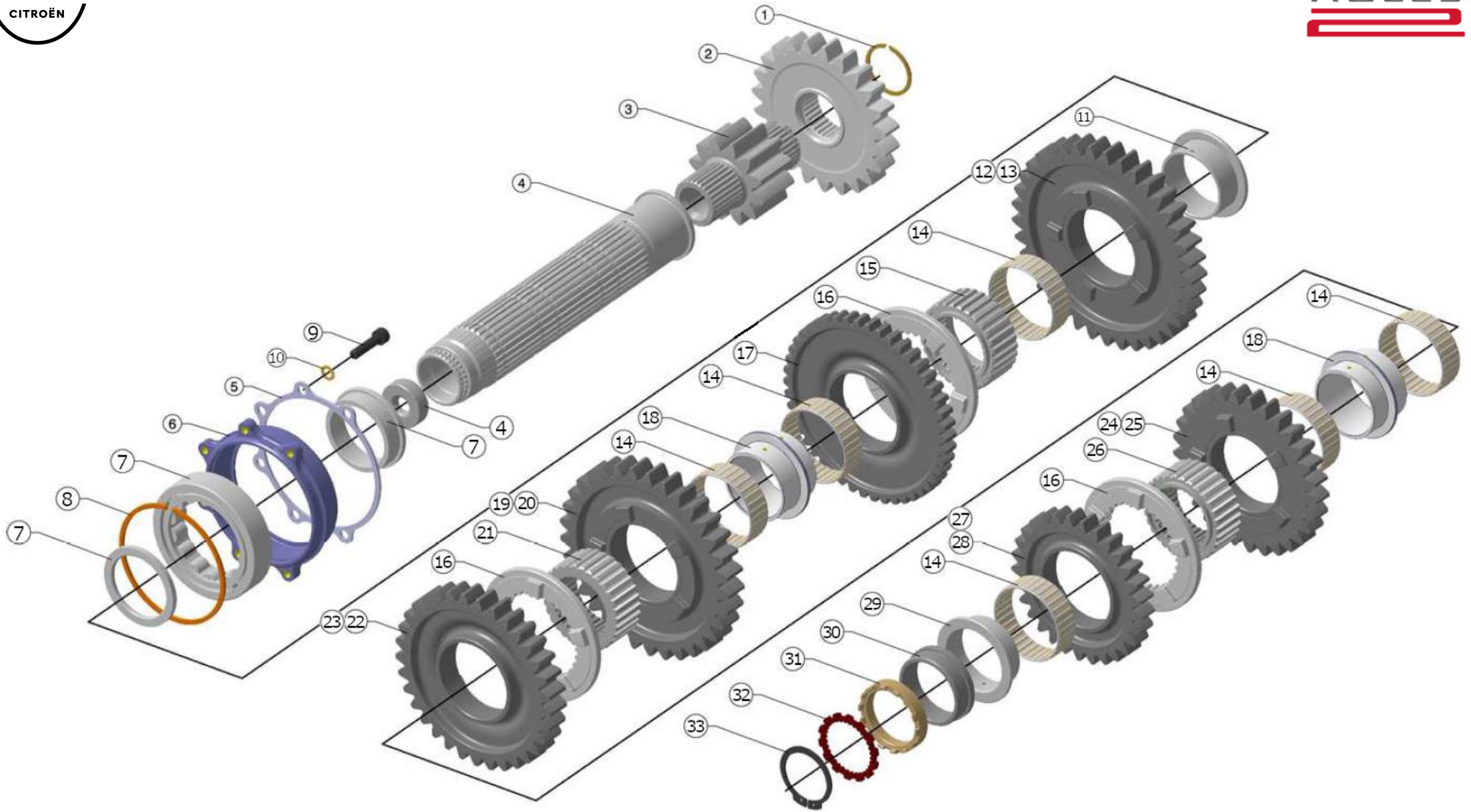


REP	REFERENCE	QTE	DESIGNATION
1	F15136001	1	ARBRE EMBRAYAGE EQUIPE <i>Clutch shaft assembly</i>
2	K909053R07915F5F	1	ARBRE PRIMAIRE LONG – 1^{ère} et 2nd <i>Primary shaft 1st & 2nd gear long</i>
3	K909053R02915F5F	1	ARBRE PRIMAIRE COURT – 1^{ère} et 2nd <i>Primary shaft 1st & 2nd gear short</i>
4	0601009	1	CIRCLIP D35 <i>D35 clip</i>
5	F9037204	1	RONDELLE FREIN SECONDAIRE <i>Ssecondary stop washer</i>
6	F9037203	1	ECROU DE SECONDAIRE M39X150 <i>Secondary M39x150 nut</i>
7	F9053103	1	ROULEMENT NU1008 <i>Bearing NU1008</i>
8	C9014R2627915F	1	RAPPORT 5^{ème} LONG <i>5th gear long</i>
9	C9014R2123915F	1	RAPPORT 5^{ème} COURT <i>5th gear short</i>
10	F9043102	2	ENTRETOISE <i>Coupling Dash6-M12x100</i>
11	C9014R2227915F	1	RAPPORT 4^{ème} LONG <i>4th gear long</i>
12	C9014R2027915F	1	RAPPORT 4^{ème} COURT <i>4th gear short</i>
13	C9017R19291915F	1	RAPPORT 3^{ème} LONG <i>3th gear long</i>
14	C9017R18311915F	1	RAPPORT 3^{ème} COURT <i>3th gear short</i>
15	F9053102	1	ROULEMENT NU1007 <i>Bearing NU1007</i>



C232
BV – LIGNE SECONDAIRE
GEARBOX – SECONDARY GEARTRAIN





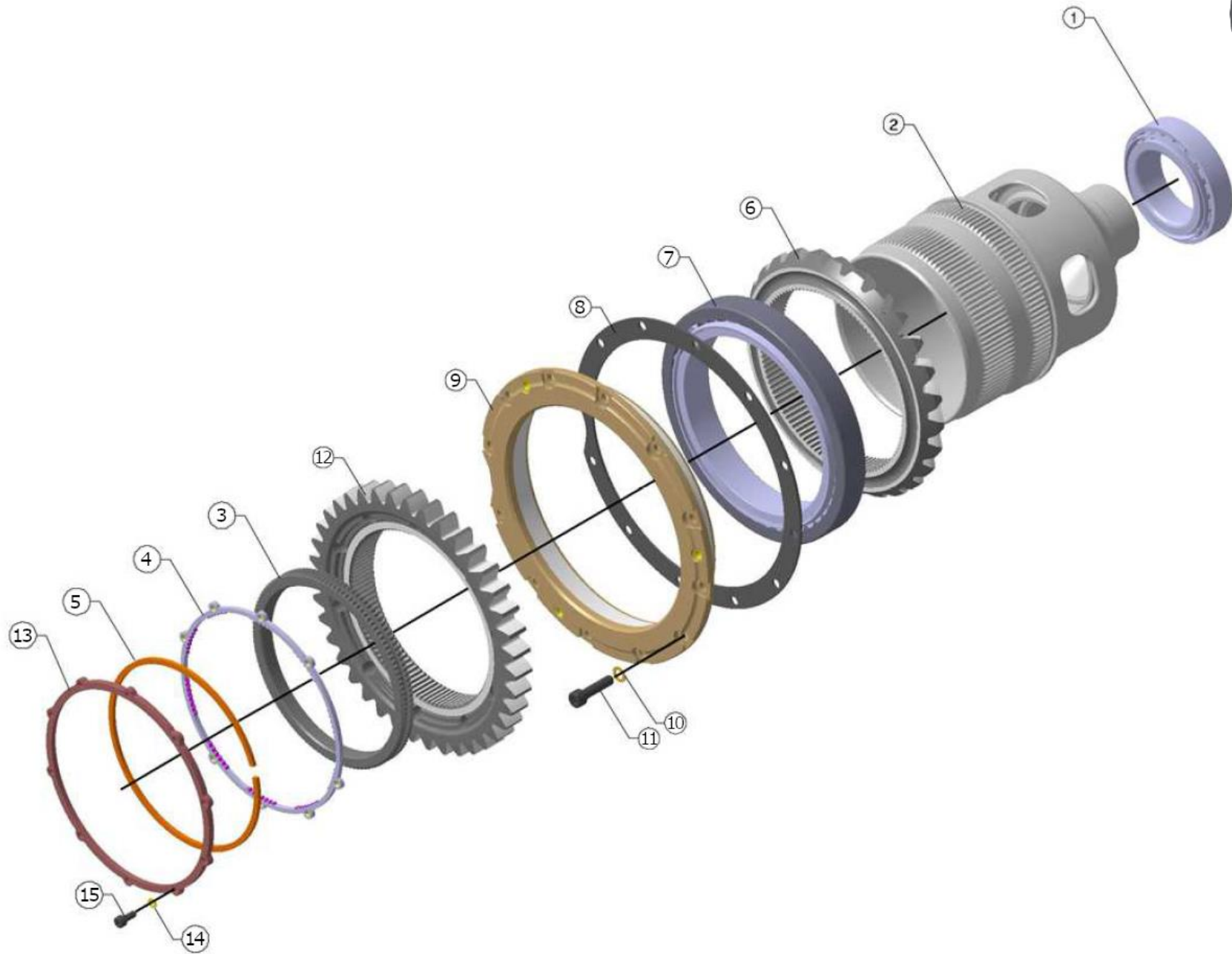
REP	REFERENCE	QTE	DESIGNATION
1	9907052	1	Circlip SW D32 <i>Expansive ring Seeger SW32</i>
2	CPL23399053011	1	Couple cylindrique AR 23/39 <i>Rear final ratio 23/39</i>
3	CPL12529053011	1	Couple cylindrique AV 12/52 <i>Front final ratio 12/52</i>
4	F90532011	1	Arbre secondaire équipé <i>Secondary shaft equipped</i>
5	F90532101	1	Jeu de cale de centrage sec. <i>Secondary centring shim set</i>
6	F90532021	1	Porte roulement NUP208 <i>NUP208 bearing housing</i>
7	F9053206	1	Roulement NUP208 <i>NUP208 bearing</i>
8	9907092	1	Circlips SB Ø80 <i>SB Ø80 circlips</i>
9	0301127	6	Vis CHC M6x25 <i>Screw CHC M6x25</i>
10	0599006	6	Rondelle SPS D6 <i>Washer SPS D6</i>
11	F9053211	1	Bague épaulée de 1^{ère} <i>Bearing inner race 1st</i>
12	F9053239	1	Rapport secondaire 1^{ère} long <i>Secondary 1st gear long</i>
13	F9053251	1	Rapport secondaire 1^{ère} court <i>Secondary 1st gear short</i>
14	0105045	6	Cage à aiguilles 47 x 52 x 17 <i>47 x 52 x 17 bearing</i>
15	F9053204	1	Support baladeur 1^{ère}/M-AR <i>1st / reverse gear hub</i>
16	F1914205	3	Crabot <i>Dog ring</i>
17	F9053208	1	Roue de MAR 46 dents <i>Reverse gear 46 teeth</i>

REP	REFERENCE	QTE	DESIGNATION
18	F9053205	2	Bague épaulée double <i>Bearing inner race</i>
19	F9053238	1	Rapport secondaire 2^{ème} long <i>Secondary 2nd gear long</i>
20	F9053262	1	Rapport secondaire 2^{ème} court <i>Secondary 2nd gear short</i>
21	F9052206	1	Support baladeur 2^{ème}/3^{ème} <i>2nd / 3rd gear hub</i>
22	C9017R19291915F	1	Rapport 3^{ème} long <i>Secondary 3rd gear long</i>
23	C9017R18311915F	1	Rapport 3^{ème} court <i>Secondary 3rd gear short</i>
24	C9014R2227915F	1	Rapport 4^{ème} long <i>4th gear long</i>
25	C9014R2027915F	1	Rapport 4^{ème} court <i>4th gear short</i>
26	F9052207	1	Support baladeur 4^{ème} / 5^{ème} <i>4th / 5th gear hub</i>
27	C9014R2627915F	1	Rapport 5^{ème} long <i>5th gear long</i>
28	C9014R2123915F	1	Rapport 5^{ème} court <i>5th gear short</i>
29	F9015059	1	Bague épaulée de 5^{ème} <i>5th gear bearing inner race</i>
30	F9053103	1	Bague intérieure rit NU1008 <i>Inner race bearing NU1008</i>
31	F9037203	1	Ecrou de secondaire M39x150 <i>Secondary M39x150 nut</i>
32	F9037204	1	Rondelle frein secondaire <i>Ssecondary stop washer</i>
33	0601009	1	Circlip interieur D35 <i>D35 inner clip</i>



C233
BV – PORTE COURONNE
GEARBOX – REAR CONNECTION TUBE





REP	REFERENCE	QTE	DESIGNATION
1	0104009	1	Roulement porte couronne 32009 <i>Rear connection bearing 32009</i>
2	F90533541	1	Tube porte couronne équipé <i>Rear connection tube</i>
3	F9053352	1	Ecrou porte couronne <i>Connection tube nut</i>
4	F9053360	1	Anneau anti desserrage <i>Lock ring</i>
5	9907084	1	Anneau expensif SW20 <i>SW120 clip</i>
6	CPL27239053011	1	Couple conique renvoi AR 27x23 <i>27x23 spiral bevel gear</i>
7	01040361	1	Roulement L623149 <i>Bearing L623149</i>
8	F90533811	1	Jeu cales de réglage pignon conique <i>Bevel gear clearance shim set</i>
9	F9053380	1	Logement roulement timken <i>Timken bearing housing</i>
10	0599080	11	Rondelle NORD-LOCK M6 <i>Washer NORD-LOCK M6</i>
11	0301233	11	Vis CHC M6x20 <i>M6x20 CHC Screw</i>
12	CPL23399053011	1	Couple cylindrique AR 23/39 <i>Rear final ratio 23/39</i>
13	F9053371	1	Circlips de retenu de couronne <i>Lock ring retaining bracket</i>
14	0599092	8	Rondelle SPS D4 <i>Washer SPS D4</i>
15	0301512	8	Vis CHC M4x10 <i>M4x10 CHC Screw</i>

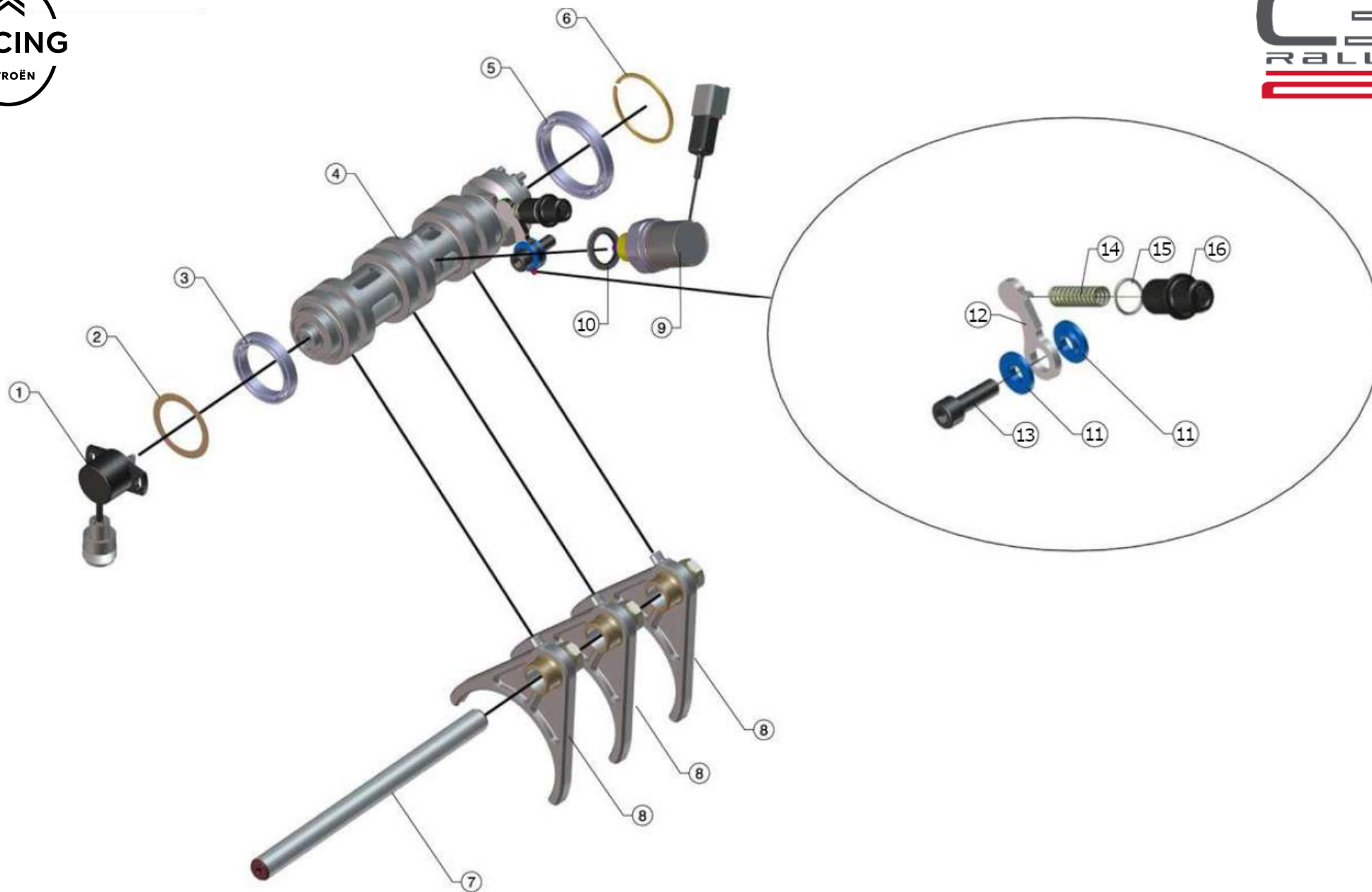


C234

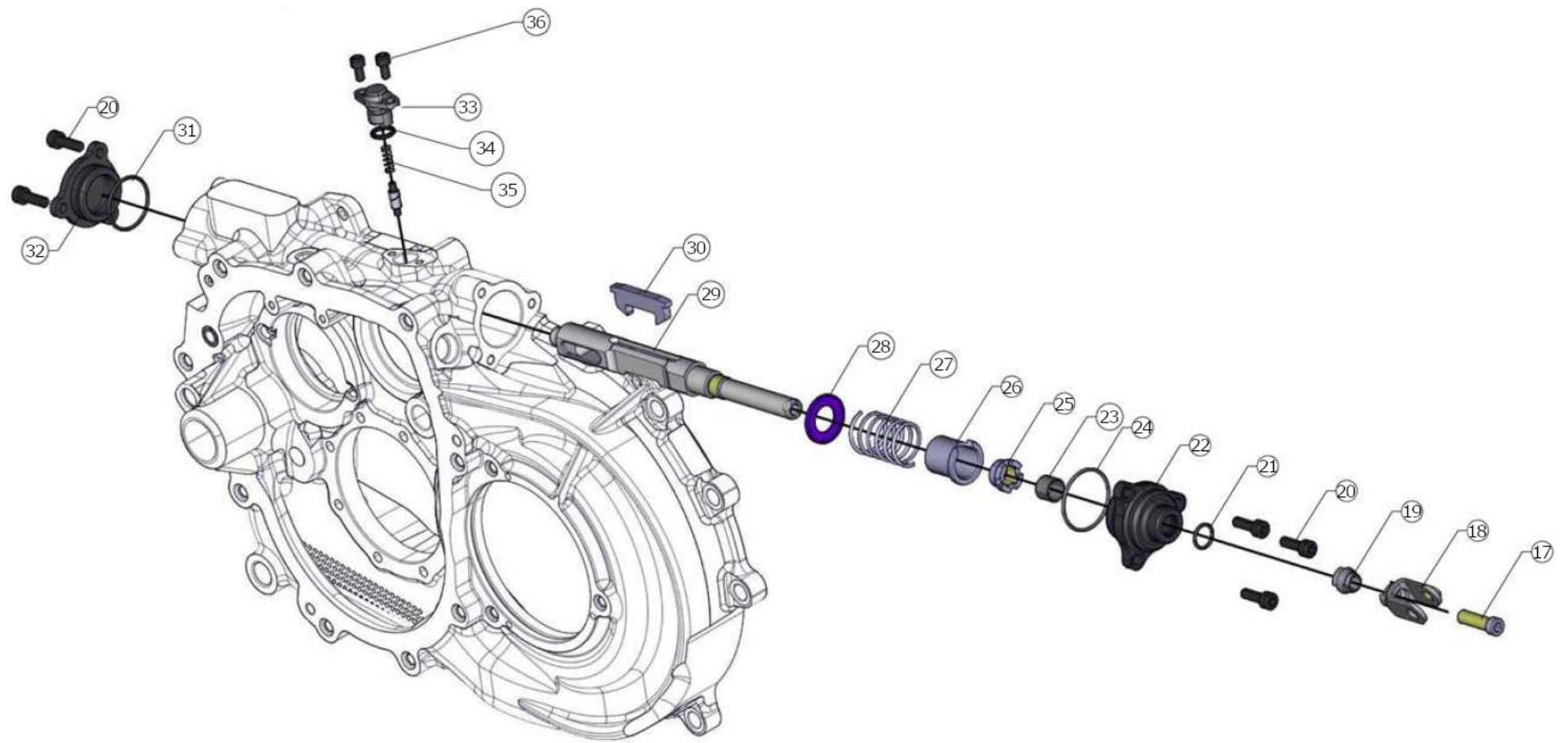
BV – SELECTION INTERNE

GEARBOX – GEAR SELECTOR





REP	REFERENCE	QTE	DESIGNATION
1	F0089049	1	Capteur position barillet <i>Contactless angle sensor</i>
2	05990241	1	Jeu de cales de barillet <i>Gear barrel position shim set</i>
3	0101064	1	Roulement à billes 61807 <i>Bearing 61807</i>
4	F1513401	1	Barillet <i>Barrel</i>
5	0101126	1	Roulement à billes 61809 <i>Bearing 61809</i>
6	9907044	1	Anneau expansif SW45 <i>SW45 clip</i>
7	F9053404	3	Axe de fourchette <i>Rear connection tube</i>
8	F9053401	1	Fourchette <i>Fork</i>
9	F90534161	1	Commande de verrouillage de M-AR <i>Reverse gear locking solenoid</i>
10	0599088	2	Rondelle d'étanchéité BS-18 <i>BS-18 seal washer</i>
11	F9050408	1	Bague épaulée d'indexeur <i>Indexor washer</i>
12	F9050407	1	Linguet indexeur <i>Indexor</i>
13	0301169	1	Vis CHC M8x25 <i>M8x25 CHC Screw</i>
14	0801046	1	Ressort d'indexage <i>Indexor spring</i>
15	0202079	1	Joint torique Ø14x1,5 <i>Ø14x1,5 O-ring</i>
16	F9053411	1	Vis d'indexeur <i>Indexor bolt</i>



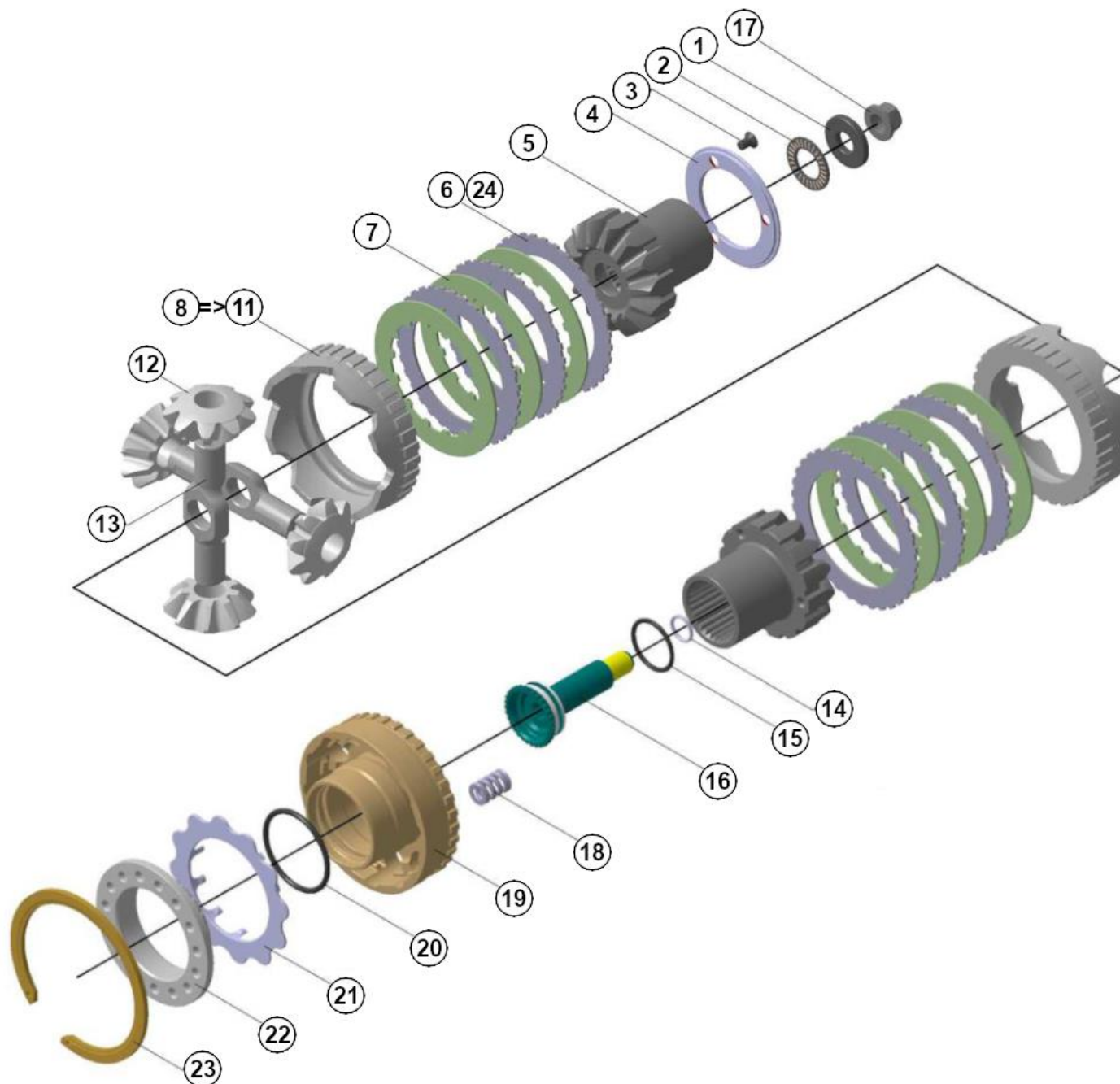
REP	REFERENCE	QTE	DESIGNATION
17	F1513402	1	Vis rallonge chape <i>Extension bolt</i>
18	F1513405	1	Chape de commande <i>Extension piece</i>
19	F1513404	1	Rallonge axe de commande <i>Connection tube nut</i>
20	0301516	6	Vis CHC M6x18 <i>M6x18 CHC Screw</i>
21	0201009	1	Joint torique Ø12x2 <i>Ø12x2 O-ring</i>
22	F90464371	1	Bride de commande arrière équipée <i>Selector closing block</i>
23	1202015	1	Bague permaglidle <i>Permaglide bushing</i>
24	0201102	1	Joint torique Ø34x2 <i>Ø34x2 O-ring</i>
25	F9046440	1	Ecrou M13 selecteur <i>Selector M13 nut</i>
26	F9046443	1	Bague épaulée sélection <i>Selector bushing</i>
27	0801086	1	Ressort rappel commande <i>Selector spring</i>
28	F9046439	1	Rondelle de selecteur <i>Selector washer</i>
29	F9046434	1	Axe de commande <i>Selector axle</i>
30	F0059040	1	Cliquet double <i>Dual pin rock</i>
31	0201164	1	Joint torique Ø29x2 <i>Ø29x2 O-ring</i>
32	F9046453	1	Plaque de fermeture de commande <i>Selector closing flange</i>
33	F14044032	1	Poussoir de cliquet assemblé <i>Dual pin rock pusher</i>
34	0201017	1	Joint torique Ø10x2.5 <i>Ø10x2.5 O-ring</i>
35	0801026	1	Ressort de cliquet <i>Dual pin spring</i>
36	0301513	2	Vis CHC M5x10 <i>M5x10 CHC Screw</i>

C235

BV – DIFFERENTIEL AVANT

GEARBOX – FRONT DIFFERENTIAL





REP	REFERENCE	QTE	DESIGNATION
1	F9053311	1	Entretoise <i>Spacer</i>
2	0199042	1	Butée aiguilles AXK1730 <i>AXK 1730 bearing</i>
3	0303068	3	Vis FHC M5x8 <i>FHC M5x8 screw</i>
4	F9053312	1	Plaque de retenue <i>Sun gear plate</i>
5	F9053306	1	Planétaires <i>Sun gear</i>
6	F1904057	6	Disque lisse 1,5mm <i>Core disc 1.5mm</i>
7	F9007320	6	Disque friction 1,5mm <i>Friction disc 1.5mm</i>
8	F90533421	1	Rampe 35/60 – 35/90 <i>Ramp 35/60 – 35/90</i>
9	F90533391	1	Rampe 40/60 <i>Ramp 40/60</i>
10	F90535031	1	Rampe 35/72 - 40/75 <i>Ramp 35/72 - 40/75</i>
11	F90535041	1	Rampe 55/75 <i>Rampe 55/75</i>
12	F9053315	4	Satellites <i>Planet gear</i>

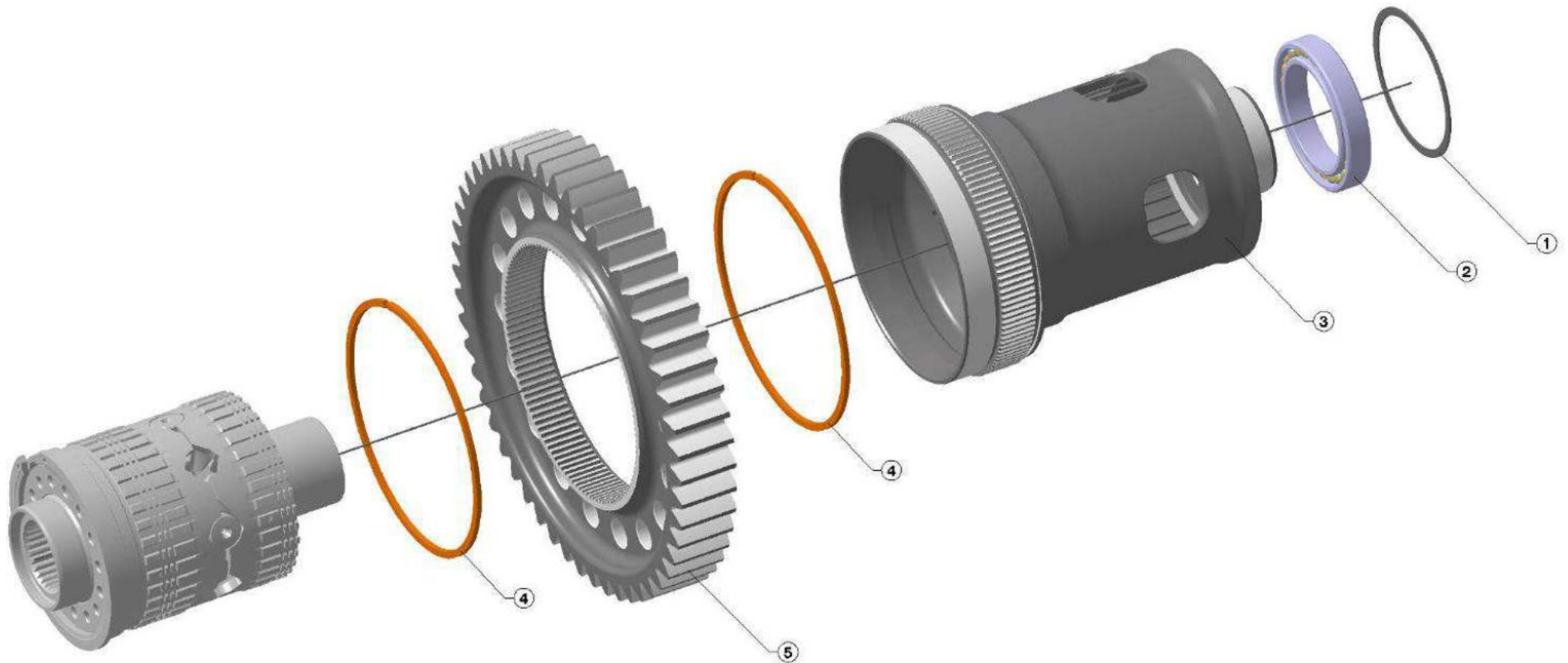
REP	REFERENCE	QTE	DESIGNATION
13	F9053309	2	Axe de satellite <i>Planet gear axle</i>
14	F90373671	1	Jeu de cales de réglage <i>Gear shim set</i>
15	0201129	1	Joint torique Ø25x2,5 <i>Ø25x2,5 O-ring</i>
16	F90533101	1	Vis de planétaire équipée <i>Sun gear bolt</i>
17	0499009	1	Ecrou Simmons M12x125 <i>M12x125 Simmons nut</i>
18	0801111	12	Ressort de compression <i>Preload spring</i>
19	F9053305	1	Couvercle d'autobloquant <i>Differential end cap</i>
20	0202068	1	Joint torique Ø41x3 <i>Ø41x3 O-ring</i>
21	F9053308	1	Anneau anti-desserrage <i>Lock ring</i>
22	F9053307	1	Ecrou de précharge <i>Preload adjustment nut</i>
23	F9044313	1	Circlip <i>Circlip</i>
24*	F9046345-1.55	6	Disque lisse 1,55mm <i>Core disc 1.55mm</i>

*** : Infotech 21-08**

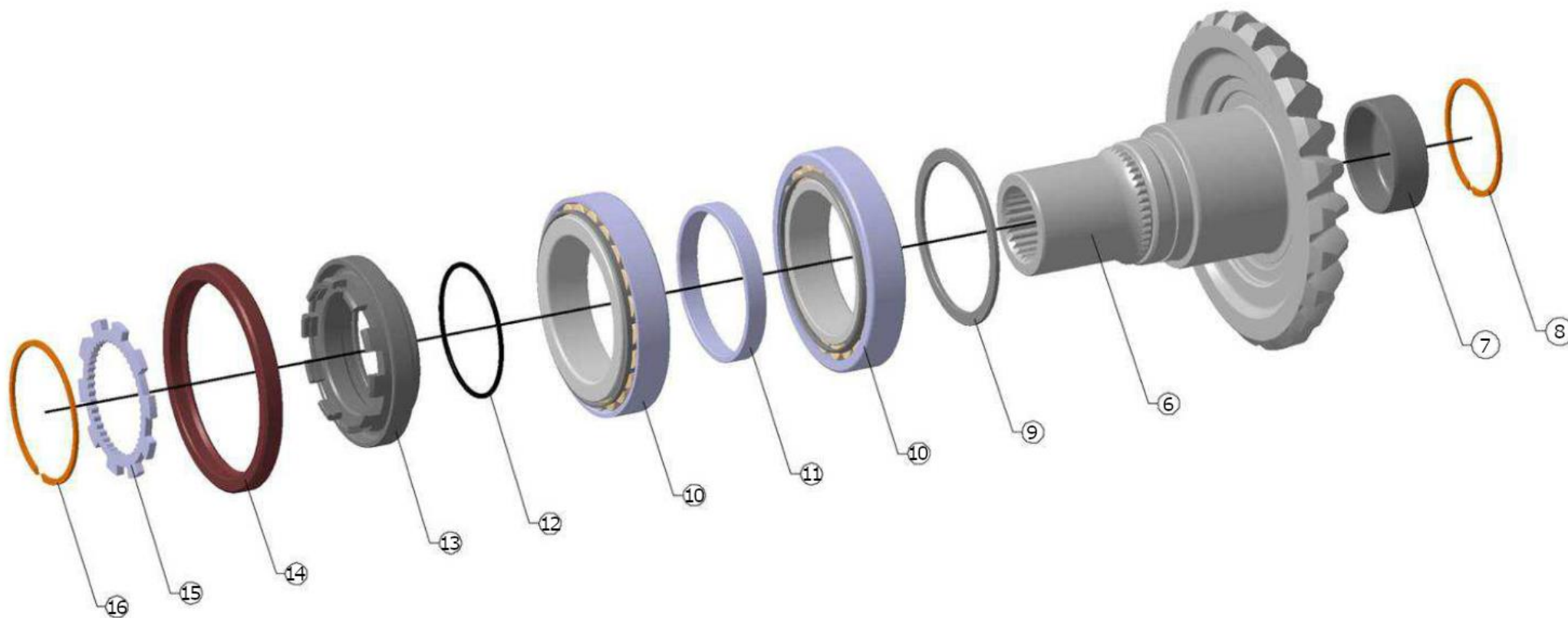


C235_2
BV – RENVOI TRANSMISSION LONGI
GEARBOX – REAR OUTPUT LINE





REP	REFERENCE	QTE	DESIGNATION
1	F90533701	1	Jeu de cales tube porte couronne <i>Rear connection tube shim set</i>
2	0101135	1	Roulement à billes 61910 <i>Bearing 61910</i>
3	F9053304	1	Boite de différentiel <i>Differential housing</i>
4	9907084	2	Anneau expansif SW120 <i>SW120 clip</i>
5	CPL12529053011	1	Couple cylindrique AV 12/52 équipé <i>12x52 intermediary front drive gear</i>

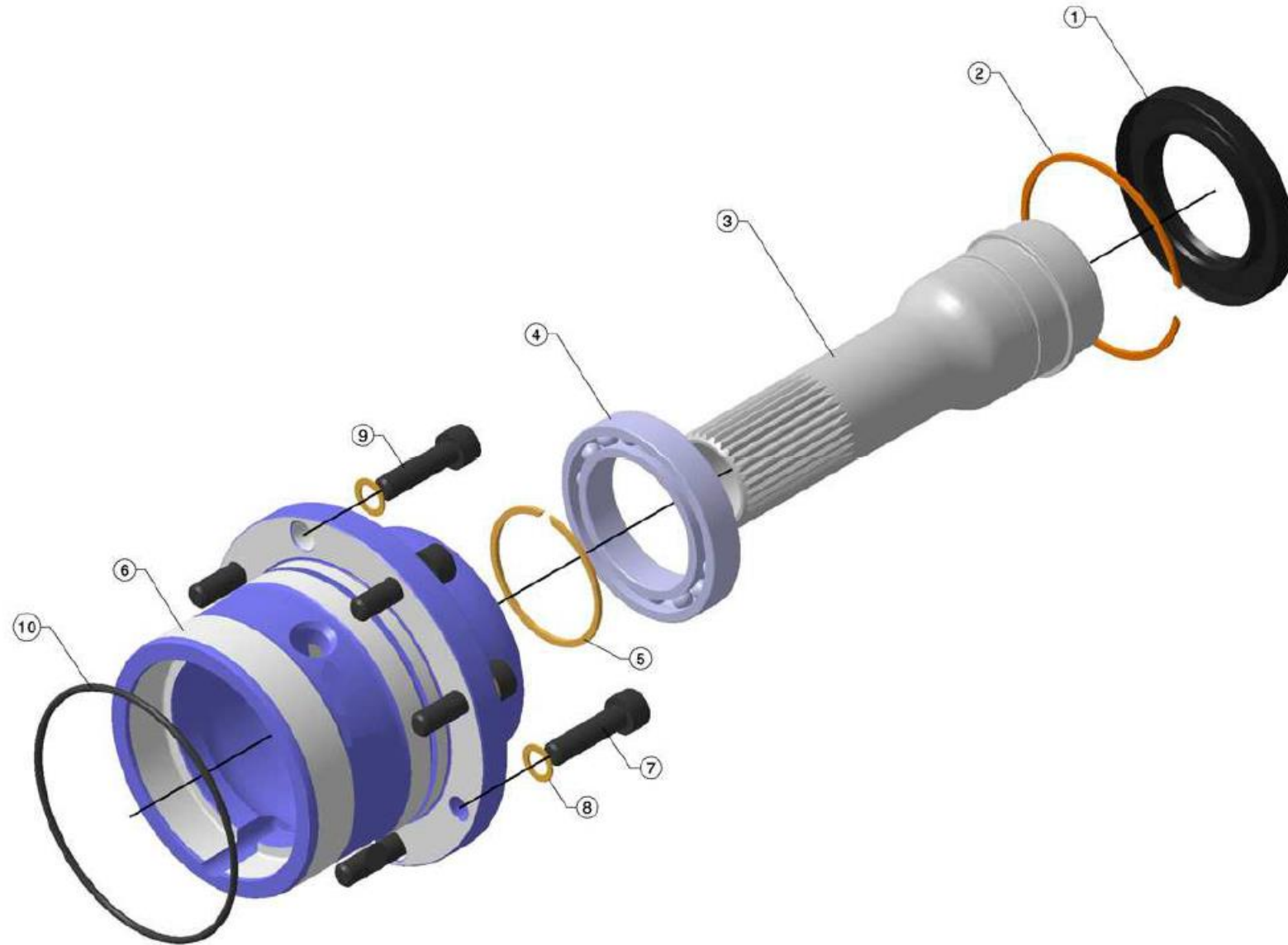


REP	REFERENCE	QTE	DESIGNATION
6	CPL27239053011	1	Couple conique de renvoi arrière <i>27x23 spiral bevel gear</i>
7	F9053366	1	Bouchon roue conique <i>Plug</i>
8	9907064	1	Anneau expansif Seeger SB45 <i>SB 45 clip</i>
9	F90533721	1	Jeu de cales de réglage sortie conique <i>Gear advance adjusting shim set</i>
10	01040791	2	Roulement conique L507949 équipé <i>L507049/L507910 bearing</i>
11	F90533731	1	Jeu de cales roulement côté sortie conique <i>Bearing preload shim set</i>
12	0201025	1	Joint torique Ø50x2 <i>Ø50x2 O-ring</i>
13	F9053356	1	Ecrou de sortie conique <i>Gear nut</i>
14	0204028	1	Joint lèvres 75x90x8 <i>Ø75x90x8 lip seal</i>
15	F9053362	1	Rondelle anti-desserrage côté roue conique <i>Lock ring</i>
16	9907030	1	Jonc d'arrêt SB55 <i>Ø55 SB circlip</i>



C235_3
BV – SORTIE TRANSMISSION AVD
GEARBOX – FRONT RIGHT OUTPUT



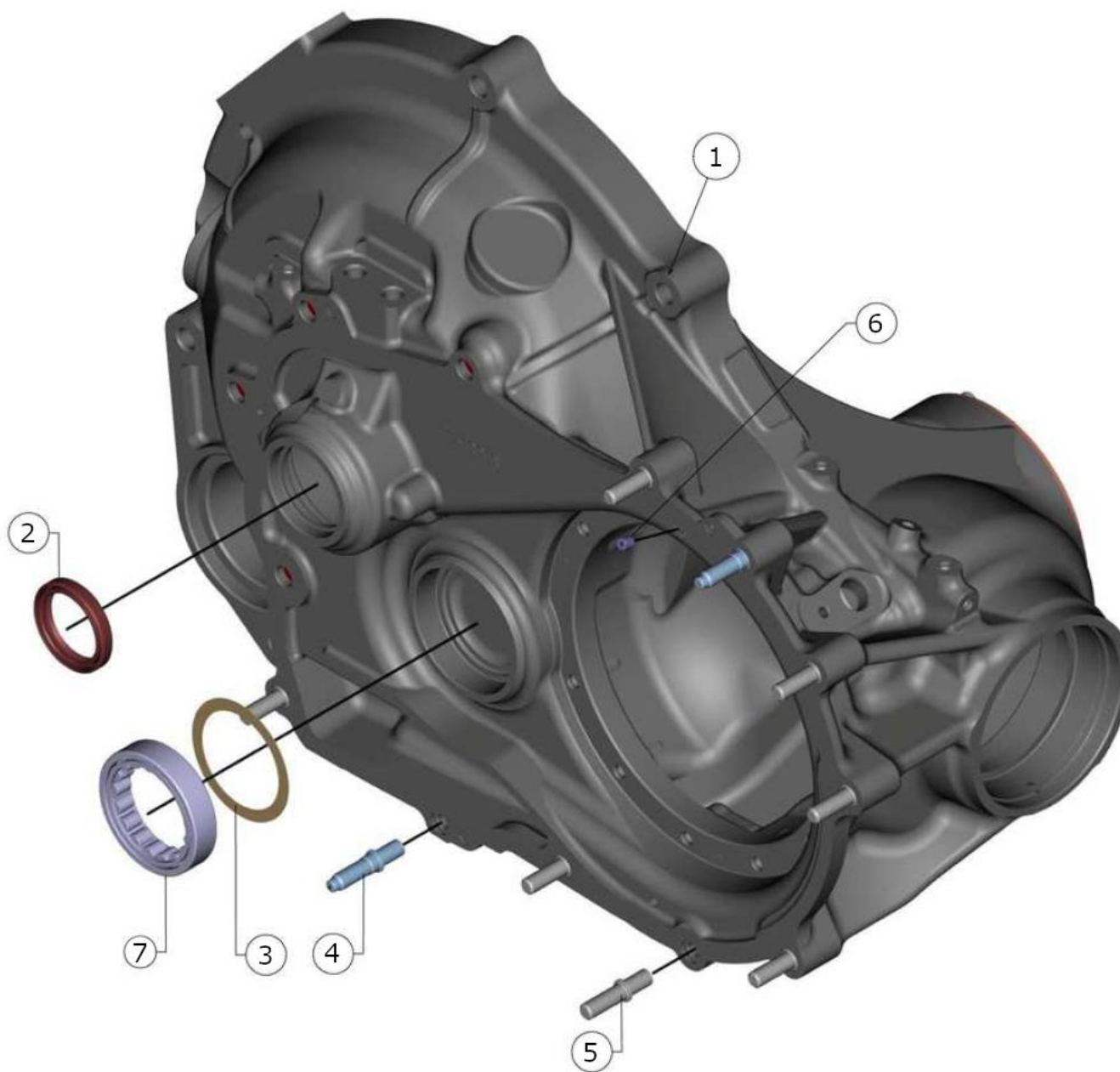


REP	REFERENCE	QTE	DESIGNATION
1	0206029	1	Joint double lèvre 45x72x8 <i>45x72x8 lip seal</i>
2	9907090	1	Anneau expansif SB68 <i>SB68 circlip</i>
3	F1513301	1	Arbre intermédiaire <i>Intermediary drive shaft</i>
4	0101134	1	Roulement à billes 61909 <i>61909 bearing</i>
5	9907044	1	Anneau expansif SW45 <i>SW45 circlip</i>
6	F1513033	1	Tube palier relais sortie droite <i>Front right output housing evo</i>
7	0301527	6	Vis CHC M8x30 <i>M8x30 CHC screw</i>
8	0599004	8	Rondelle SPS D8 <i>Washer SPS D8</i>
9	F9053095	2	Vis de plombage M8x30 <i>M8x30 machined bolt</i>
10	0201246	1	Joint torique Ø84x2,5 <i>Ø84x2,5 O-ring</i>

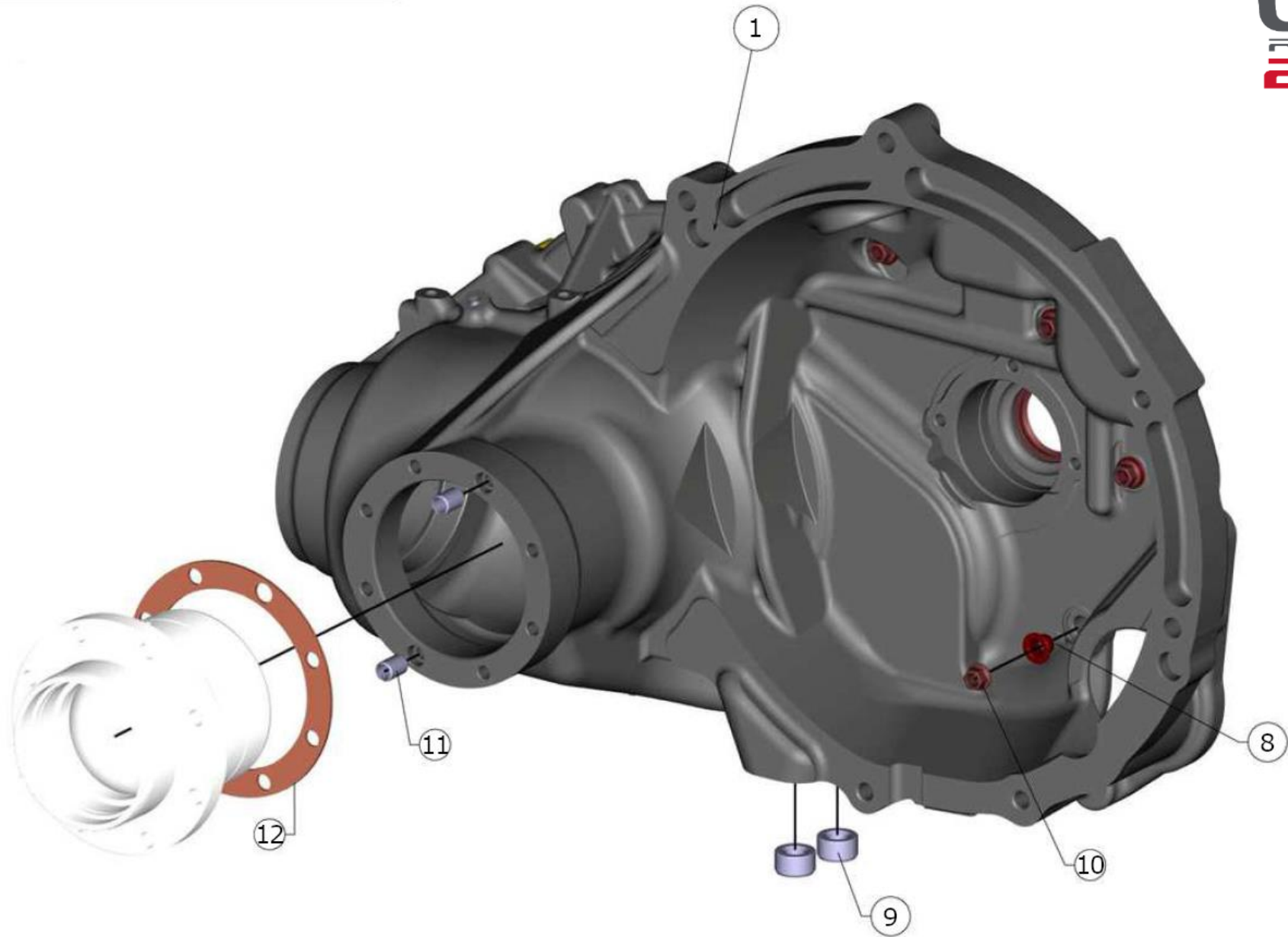


C236_1
BV – CARTER PRINCIPAL
GEARBOX – MAIN HOUSING





REP	REFERENCE	QTE	DESIGNATION
1	F15130271	1	Carter principal équipé <i>Main housing assembly</i>
2	206004	1	Joint double lèvres Ø35x45x7 <i>Ø35x45x7 lip seal</i>
3	5990321	1	Jeu de cales <i>Secondary geartrain shim set</i>
4	F1412017	2	Goujon M8 épaulé Lg44 <i>M8 shoulder stud 44mm</i>
5	F1412018	7	Goujon M8 épaulé Lg40 <i>M8 shoulder stud 44mm</i>
6	302076	1	Vis HC M6x6 <i>HC screw M6x6</i>
7	103012	1	Roulement NU1007 <i>Bearing NU1007</i>

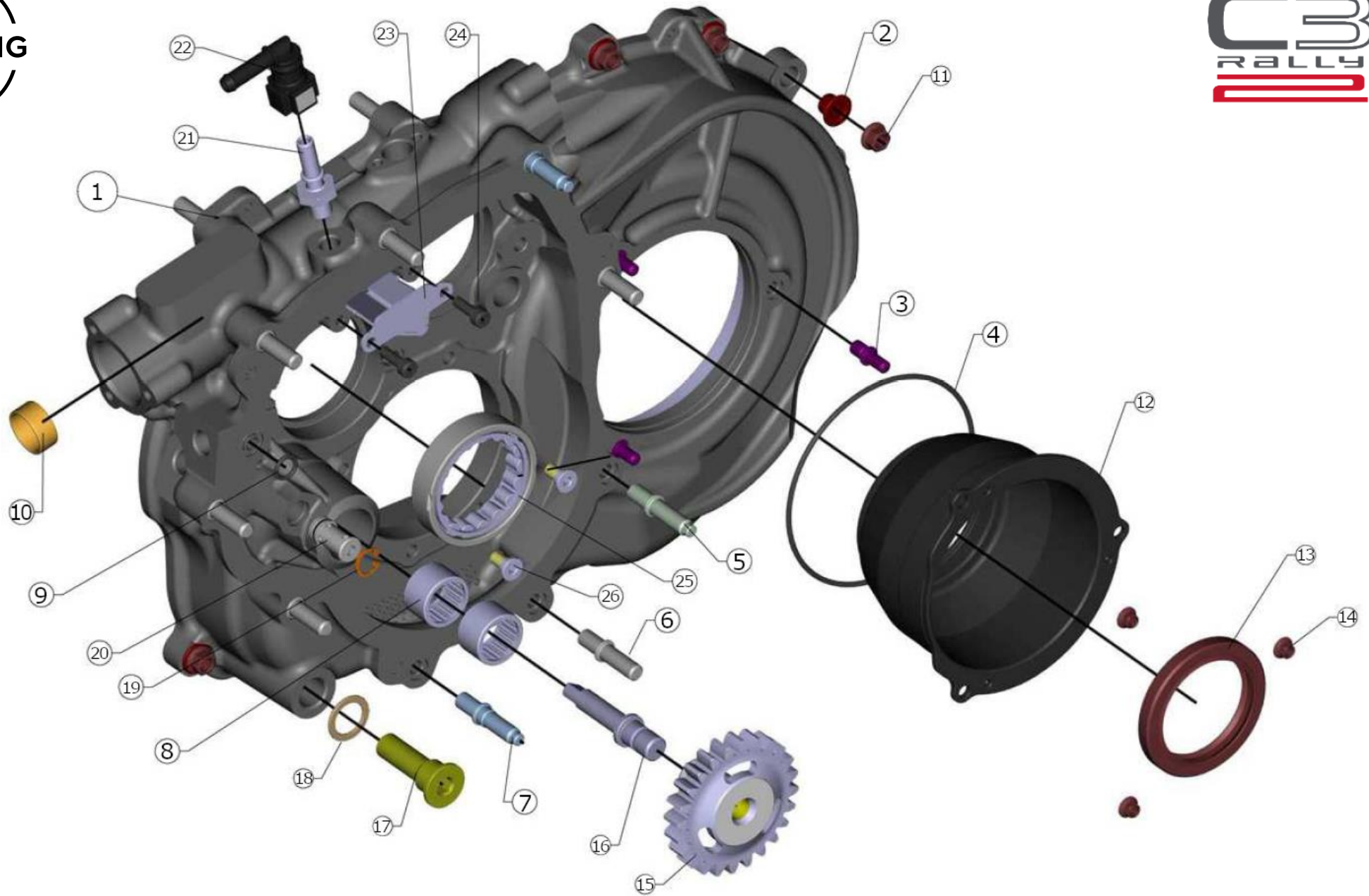


REP	REFERENCE	QTE	DESIGNATION
1	F15130271	1	Carter principal équipé <i>Main housing assembly</i>
8	F9037032	4	Bobine Ø10,2 <i>Bushing Ø10,2</i>
9	F1513031	2	Bobine Ø20 <i>Bushing Ø20</i>
10	499003	4	Ecrou Simmonds M8 <i>M8 Simmonds nut</i>
11	F9027131	2	Pion de centrage Ø8,1x10x15 <i>Ø8,1x10x15 center pin</i>
12	F90533681	1	Jeu de cale <i>Shim set</i>



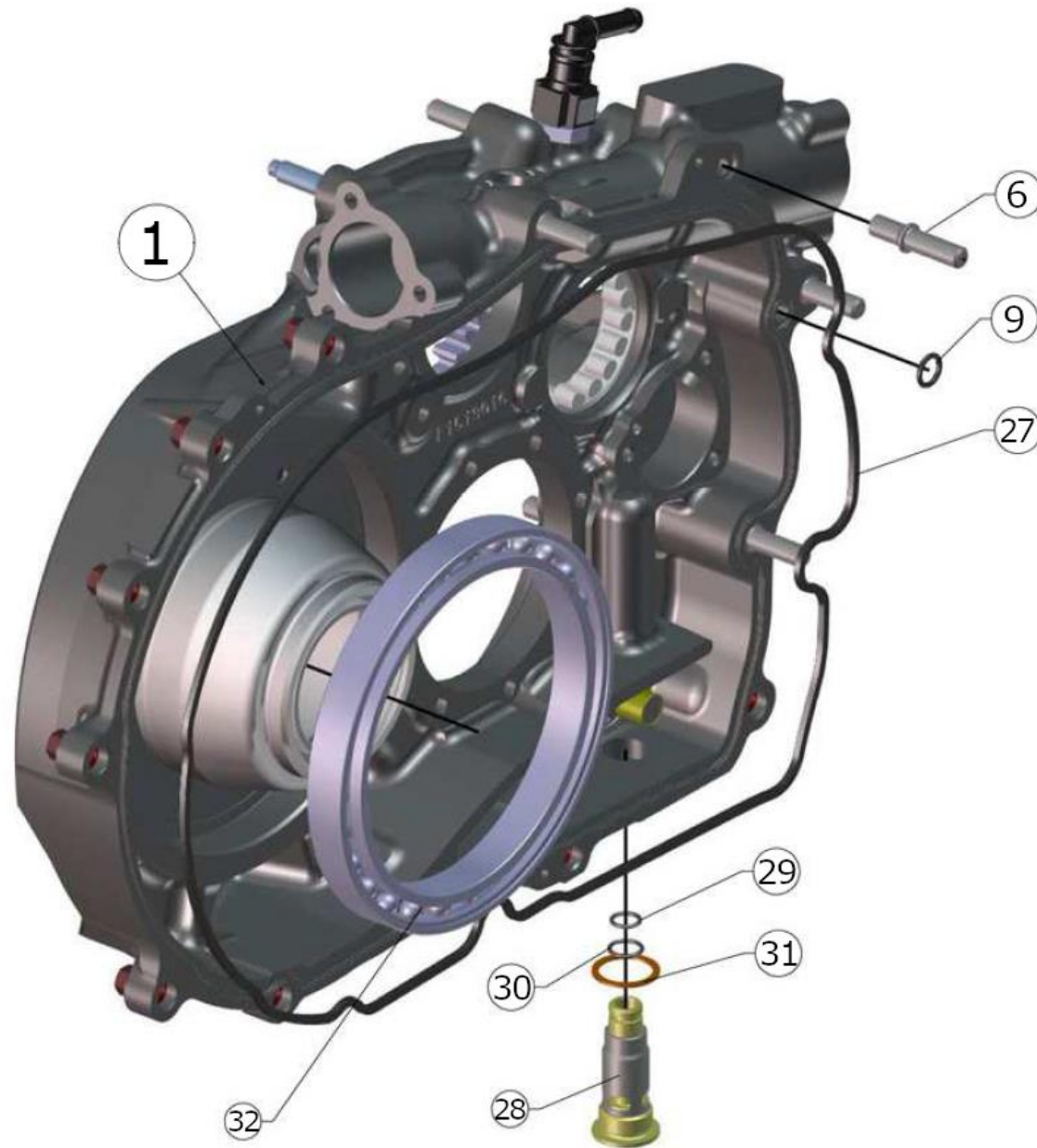
C236_2
BV – CARTER INTERMEDIAIRE
GEARBOX – INTERMEDIARY
HOUSING





REP	REFERENCE	QTE	DESIGNATION
1	F15130171	1	Carter intermédiaire équipé <i>Intermediary housing</i>
2	F9037032	9	Insert Ø10,2 <i>Ø10,2 insert</i>
3	F9053008	3	Goujon M6/M7 <i>M6/M7 stud</i>
4	202069	1	Joint torique Ø2,5x102 <i>Ø2,5x102 o-ring</i>
5	F1412043	1	Goujon M8x44 <i>M8 stud lg 44mm</i>
6	F1412018	6	Goujon épaulé M8x44 <i>M8 shoulder stud lg 44mm</i>
7	F1412017	2	Goujon usiné M8/M12 <i>Machined M8/M12 stud</i>
8	106021	2	Douille à aiguille HK2016 <i>HK2016 bearing</i>
9	201140	1	Joint torique Ø2x9 <i>Ø2x9 O-ring</i>
10	1202028	1	Bague permaglidle P10 <i>PAP2010 P10 bushing</i>
11	499003	9	Ecrou Simmons M8 <i>M8 Simmonds nut</i>
12	F9053021	1	Support joint à lèvres <i>Lip seal bracket</i>
13	206015	1	Joint à lèvres Ø50x68x8 <i>Ø50x68x8 lip seal</i>

REP	REFERENCE	QTE	DESIGNATION
14	499010	3	Ecrou simmons M6 <i>M6 Simmonds nut</i>
15	F9053057	1	Roue renvoi MAR <i>Reverse idler gear</i>
16	F9053058	1	Axe de pompe <i>Pump axle</i>
17	F9053023	1	Bouchon de vidange <i>Drain plug</i>
18	599002	1	Joint de bouchon de vidange <i>Drain plug seal</i>
19	602055	1	Circlip intérieur Ø13 <i>Ø13 inner clip</i>
20	9999525	1	Limiteur de pression <i>Check valve insert (5bar)</i>
21	F9022106	1	Embout reniflard <i>Venting fitting</i>
22	9999683	1	Raccord raymond <i>Venting cap</i>
23	F9053025	1	Deflecteur reniflard <i>Deflector</i>
24	301061	2	Vis CHC M5x16 <i>M5x16 CHC screw</i>
25	F9053102	1	Roulement usiné NU1007 <i>Machined NU1008 bearing</i>
26	F9053104	2	Vis M6 <i>M6 bearing bolt</i>

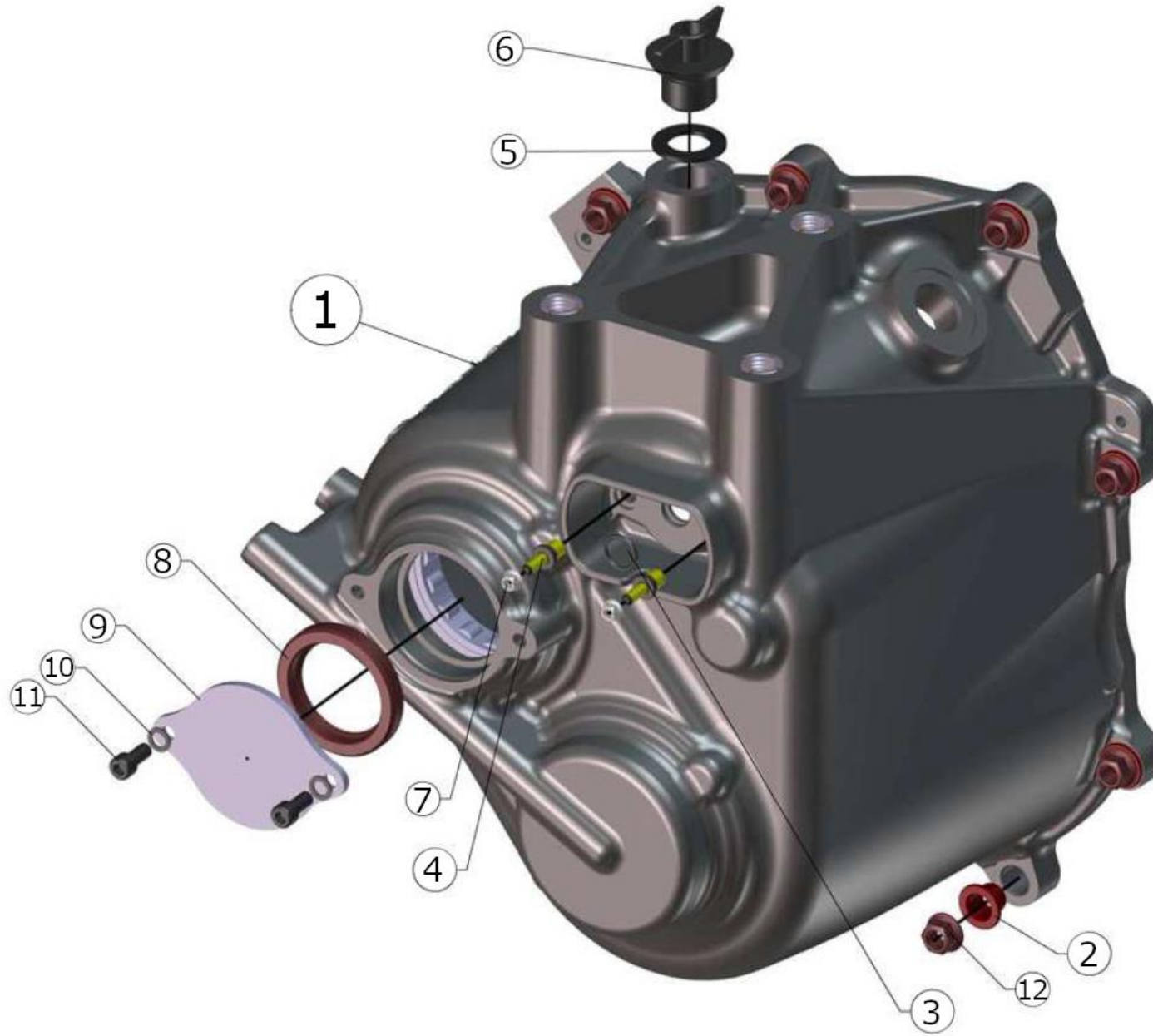


REP	REFERENCE	QTE	DESIGNATION
1	F15130171	1	Carter intermédiaire équipé <i>Intermediary housing</i>
6	F1412018	6	Goujon épaulé M8x44 <i>M8 shoulder stud lg 44mm</i>
9	201140	1	Joint torique Ø2x9 <i>Ø2x9 O-ring</i>
27	201299	1	Joint torique Ø320x3 <i>Ø320x3 O-ring</i>
28	F90370561	1	Crépine équipée <i>Succion screen</i>
29	202041	2	Joint torique viton Ø8,5x1,5 <i>Ø8,5x1,5 viton O-ring</i>
30	202078	1	Joint torique viton Ø10x1,5 <i>Ø10x1,5 viton O-ring</i>
31	F9037059	1	Rondelle cuivre Ø19,2 x 24 x 1mm <i>Ø19,2 x 24 x 1mm cupper washer</i>
32	101042	1	Roulement à billes 61824 <i>61824 bearing</i>

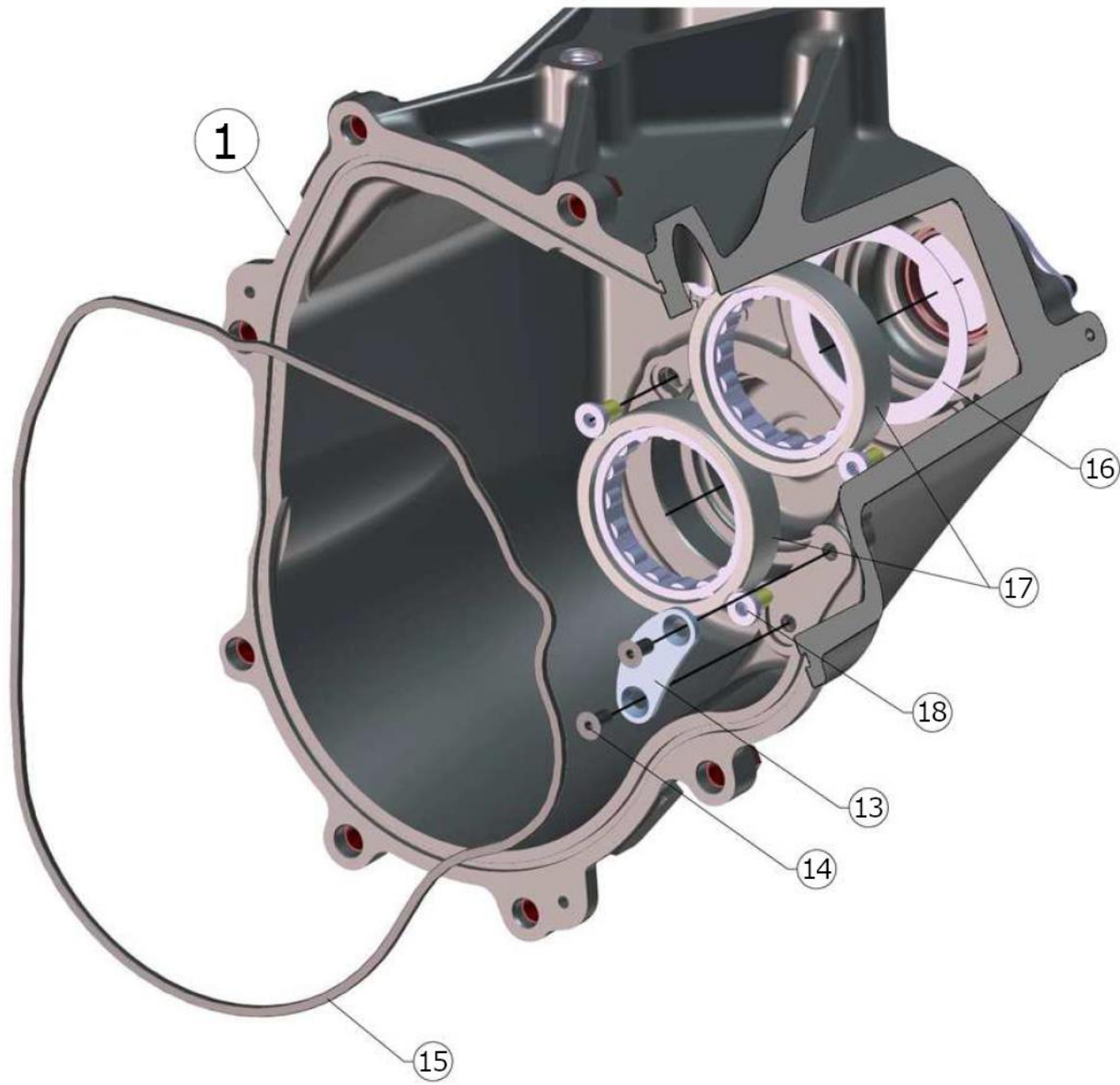


C236_3
BV – CARTER CASSETTE
GEARBOX – CLUSTER HOUSING





REP	REFERENCE	QTE	DESIGNATION
1	F15130151	1	Carter cassette équipé <i>Cluster housing</i>
2	F9037032	9	Bobine Ø10,2 <i>Ø10,2 insert</i>
3	201290	1	Joint torique nitrile Ø10x1,5 <i>Ø10x1,5 O-ring</i>
4	F9053016	2	Goujon épaulé M6 M4 Lg 20 <i>M6/M4 stud</i>
5	5002026	1	Joint bouchon de remplissage <i>Inlet plug seal</i>
6	5099087	1	Bouchon de remplissage <i>Inlet plug</i>
7	499017	2	Ecrou Simmonds M4 <i>M4 Simmonds nut</i>
8	204044	1	Joint lèvres viton Ø32x45x7 <i>Ø32x45x7 lip seal</i>
9	F9053007	1	Plaque de fermeture primaire <i>Primary geartrain end cap</i>
10	599012	2	Rondelle SPS Ø5 <i>Ø5 SPS washer</i>
11	301514	2	Vis CHC M5x12 <i>M5x12 CHC screw</i>
12	499003	9	Ecrou Simmonds M8 <i>M8 Simmonds nut</i>



REP	REFERENCE	QTE	DESIGNATION
1	F15130151	1	Carter cassette équipé <i>Cluster housing</i>
13	F9053014	1	Plaque de frottement <i>Reverse gear retaining plate</i>
14	303036	2	Vis FHC M5x10 <i>FHC M5x10 screw</i>
15	201225	1	Joint torique nitrile Ø220x3 <i>Ø220x3 O-ring</i>
16	5990891	1	Jeu de rondelles de calage <i>Primary geartrain shim set</i>
17	F9053207	2	Roulement primaire secondaire NU1008 <i>Machined NU1008 bearing</i>
18	F9053104	4	Vis arrêtoir M6x100 <i>M6 bearing bolt</i>

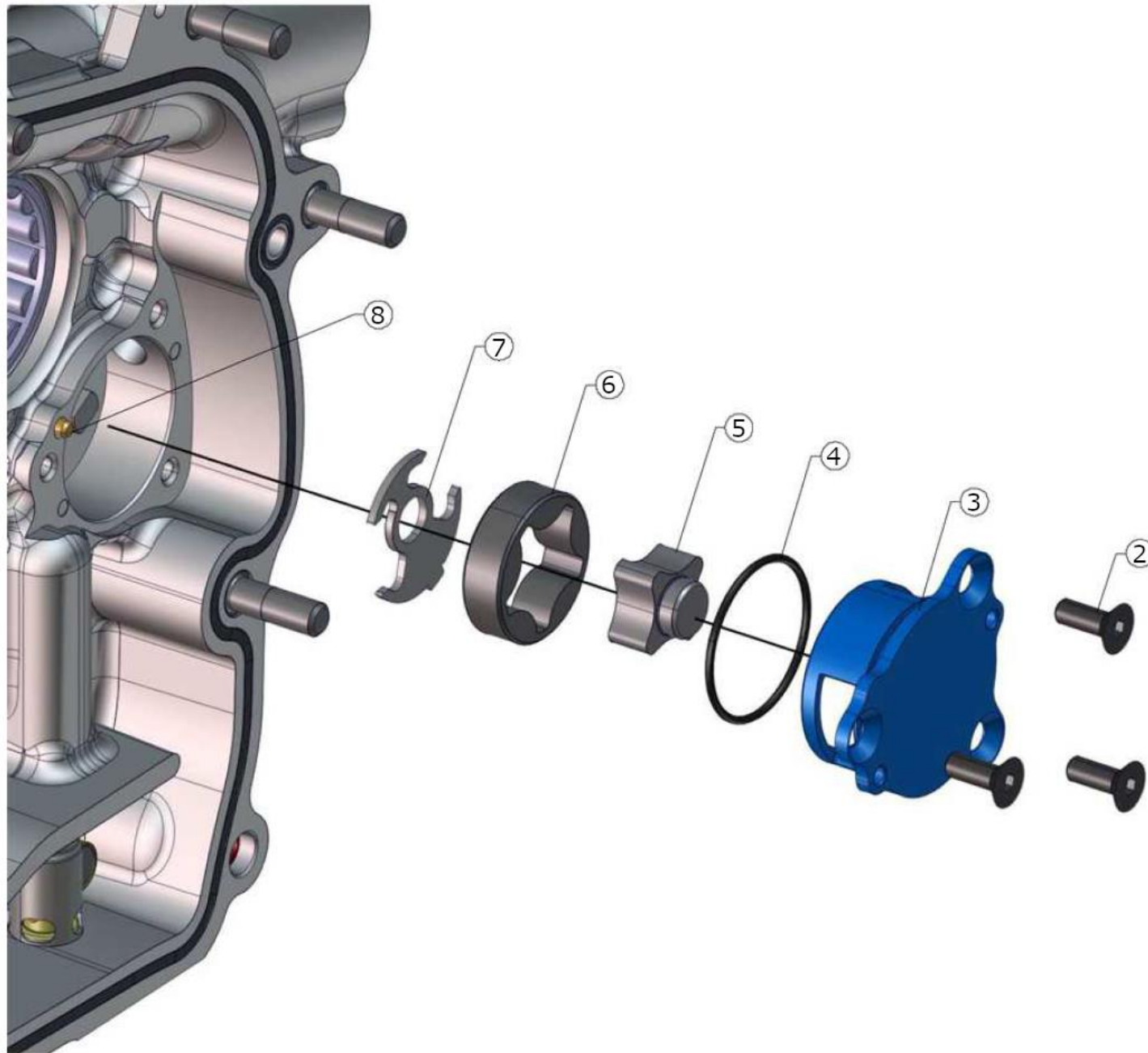


C237

BV – LUBRIFICATION

GEARBOX – LUBRICATION





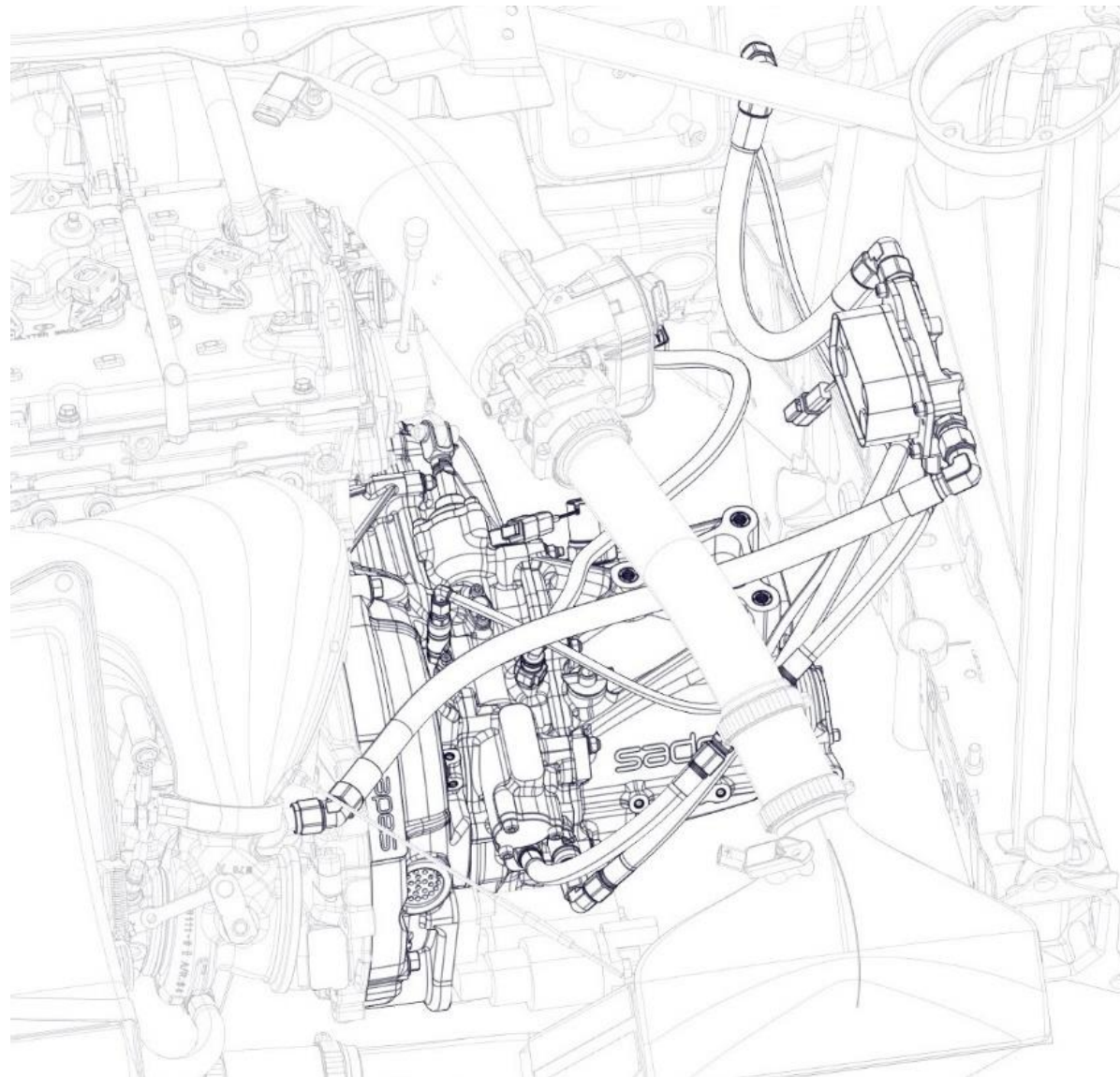
REP	REFERENCE	QTE	DESIGNATION
1*	F90580501	1	Pompe assemblée <i>Pump assembly</i>
2	0303038	3	Vis FHC M6x16 <i>FHC M6x16 bolt</i>
3	F9058050	1	Corps de pompe <i>Pump housing</i>
4	0201105	1	Joint torique Ø36x2 <i>Ø36x2 O-ring</i>
5	F3201052	1	Rotor <i>Rotor</i>
6	F3201051	1	Stator <i>Stator</i>
7	F3201050	1	Cliquant de pompe <i>Pump shim</i>
8	F9010305	1	Pion de centrage D4x10 <i>D4x10 center pin</i>

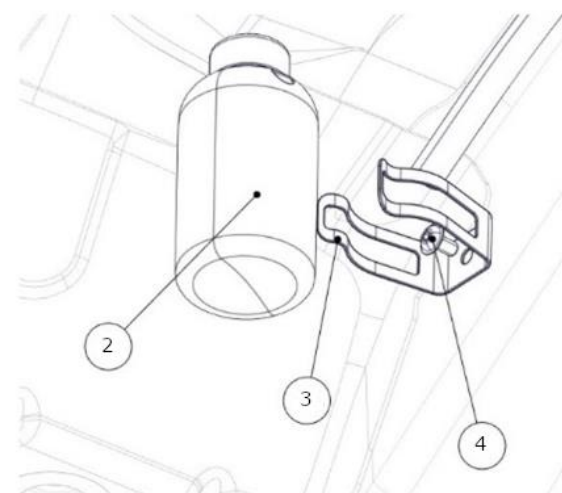
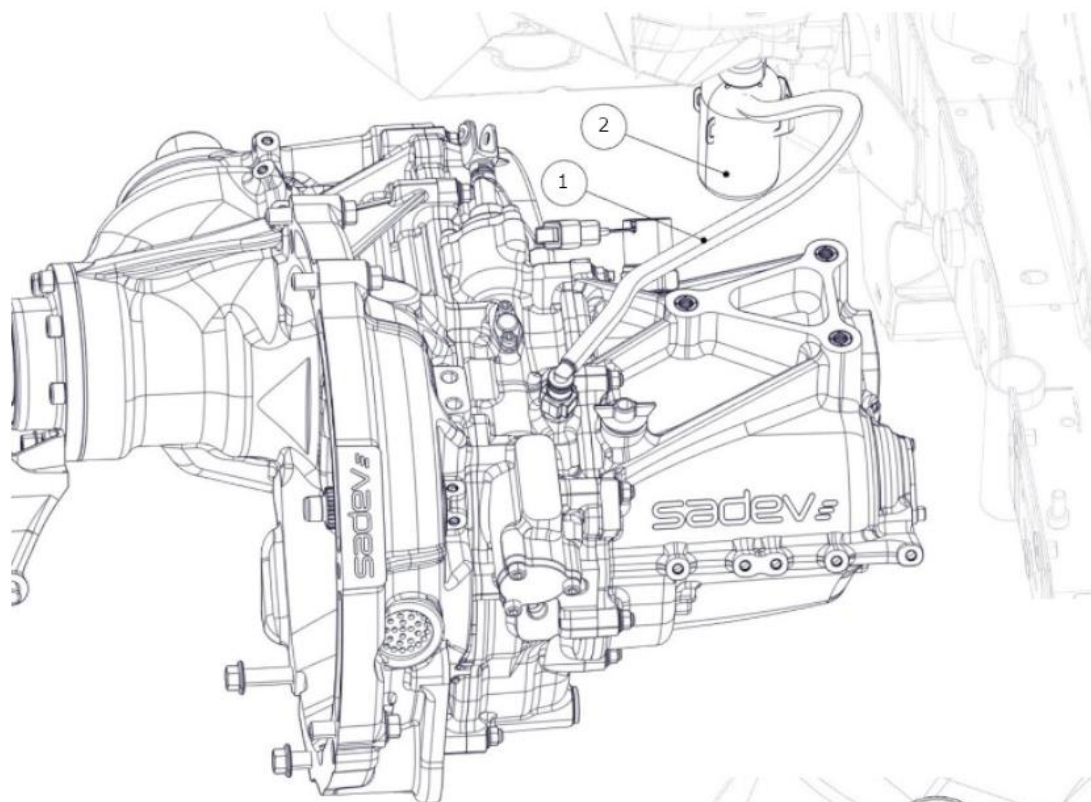
1* = 2+3+...+8



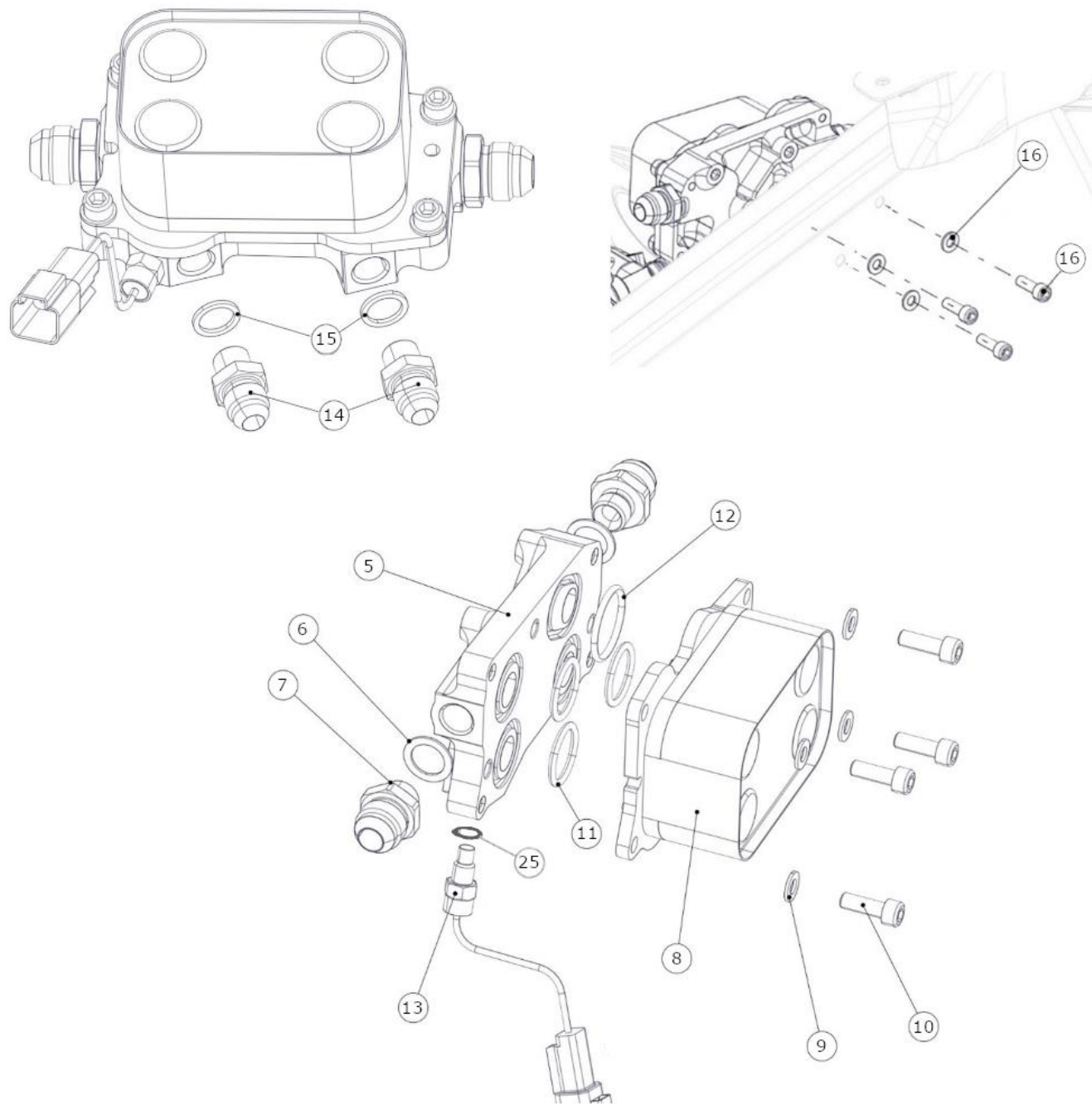
C24
ECHANGE THERMIQUE BV
GEARBOX COOLING



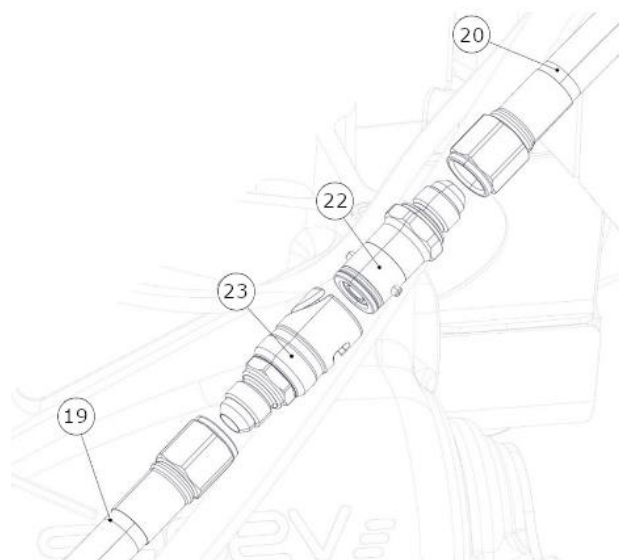
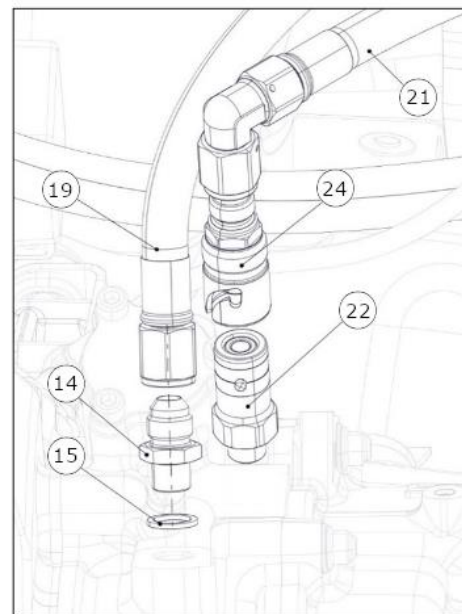
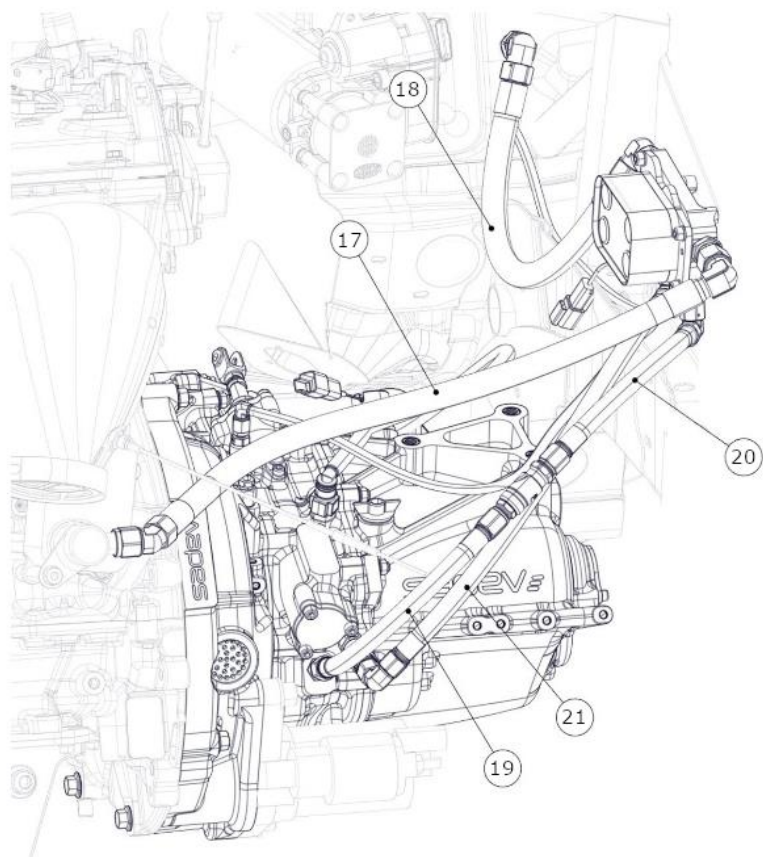




REP	REFERENCE	QTE	DESIGNATION
ENS DEGAZAGE EMB / GB Degasing assy			
1	PS69792A10	1	TYX DEG 1m <i>Degasing hose 1m</i>
2	CS180068FG	1	Cruchon 125ML <i>Catch tank 125ML</i>
3	CS160060ST	1	COLLIER LYRE D:43 A 50 <i>Lyre Collar D43-50</i>
4	CS580005ST	1	VIS BHC EMB M5X080 L10 <i>BHC Screw M5X080 L10</i>



REP	REFERENCE	QTE	DESIGNATION
5	904479908C	1	SUPPORT MODINE BV <i>GB OIL EXCHANGER SUPPORT</i>
6	PS81572A10	2	JOINT CUIVRE Ø14,2X20X1 <i>Copper seal Ø14,2X20X1</i>
7	904482158A	2	RACCORD M14 DASH08 <i>COUPLING M14 DASH08</i>
8	904481928A	1	ECHANGEUR CN3307 <i>GB Oil Echanger</i>
9	PS86047A10	4	RONDELLE Ø6X12-1,2 <i>WASHER Ø6X12-1,2</i>
10	PS82057A10	4	VIS M6X18 CL.12.9 <i>SCREW M6X18 CL.12.9</i>
11	PS77076A10	3	JOINT TORIQUE 20.29X2.62 <i>Oring 20.29x2.62</i>
12	PS77564A10	1	JOINT TOR A25.07 T2.62 <i>Oring A25.07 T2.62</i>
13	F0089222	1	SONDE DE TEMPERATURE <i>Temperature sensor</i>
14	PS73934A10	2	ADAPT-DASH6-M12X100 <i>Coupling Dash6-M12x100</i>
15	PS81613A10	2	JOINT CUIVRE D12.2X15.9X1.5 <i>Copper seal Ø12.2x15.9x1.5</i>
16	692254	3	VIS TH RONDELLE D6X20 <i>Washer screw D6x20</i>
25	0599059	1	RONDELLE ETANCHEITE BS8 <i>Sealing washer BS8</i>



REP	REFERENCE	QTE	DESIGNATION
CIRCUIT D'EAU / Water lines			
15	PS81613A10	2	JOINT CUIVRE D12.2X15.9X1.5 <i>Copper seal Ø12.2x15.9x1.5</i>
17	904493428B	1	TUYAU EAU ENTREE TABLIER <i>INLET WATER HOSE</i>
18	904482098C	1	TUYAU ENTREE EAU ECHANGEUR BV <i>OUTLET WATER HOSE</i>
CIRCUIT D'HUILE / Oil lines			
19	904482128C	1	TUYAU ENTREE HUILE ECHANGEUR BV 1 <i>1ST INLET OIL HOSE</i>
20	904604508A	1	TUYAU ENTREE HUILE ECHANGEUR BV 2 <i>2ND INLET OIL HOSE</i>
21	904482118B	1	TUYAU SORTIE HUILE ECHANGEUR BV <i>OUTLET OIL HOSE</i>
22	PS73352A10	1	RACCORD SPH05 DASH6 JV ALU <i>COUPLING SPH05 DASH6 JV ALU FEM</i>
23	PS73356A10	2	ABOUT SPH05 DASH 6 JV ALU <i>COUPLING SPH05 DASH6 JV ALU MALE</i>
24	PS73934A10	1	ADAPT-DASH6-M12X100 <i>ADAPTOR DASH6 M12x100</i>

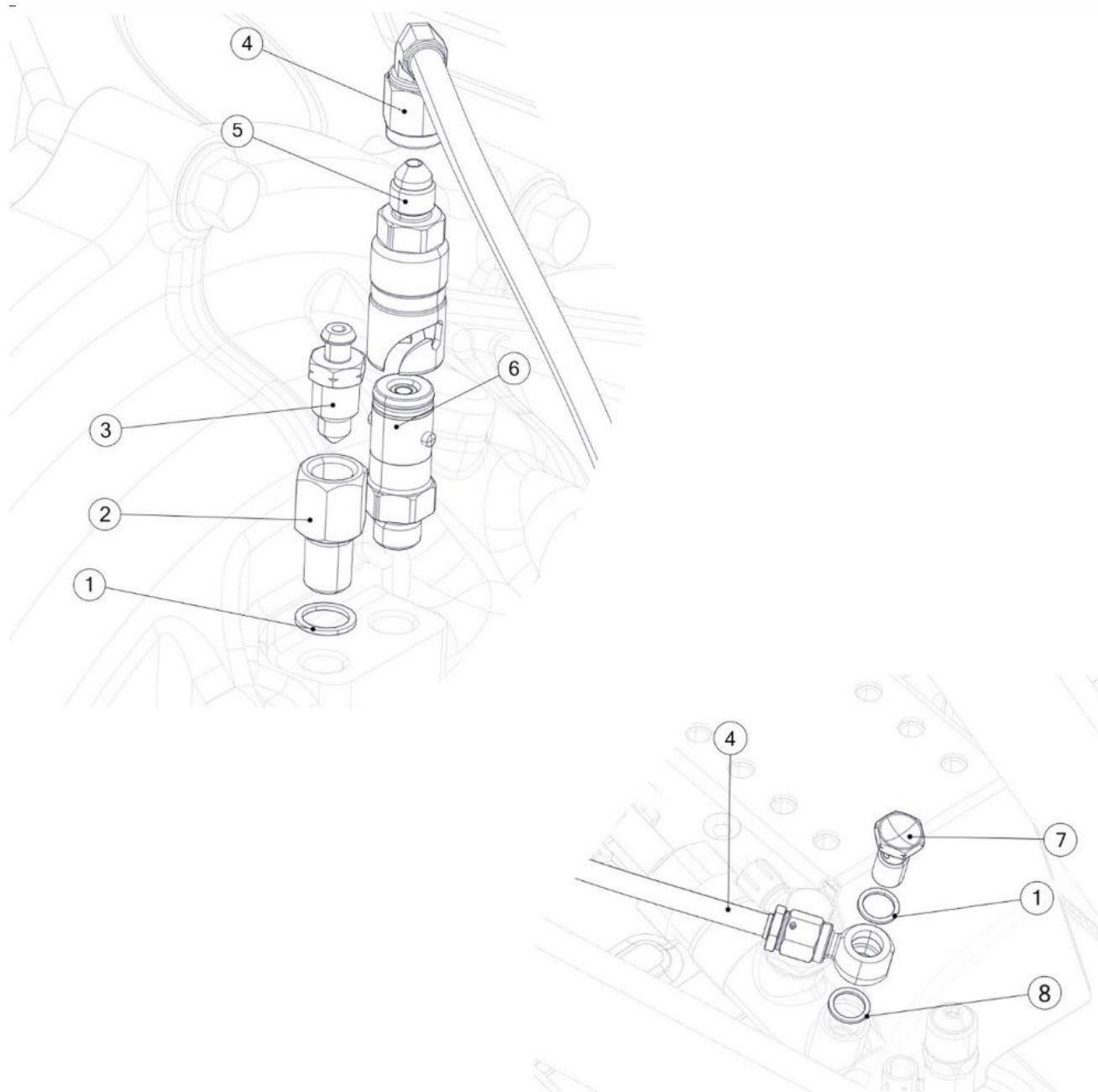


C25

COMMANDE D'EMBRAYAGE

CLUTCH COMMAND



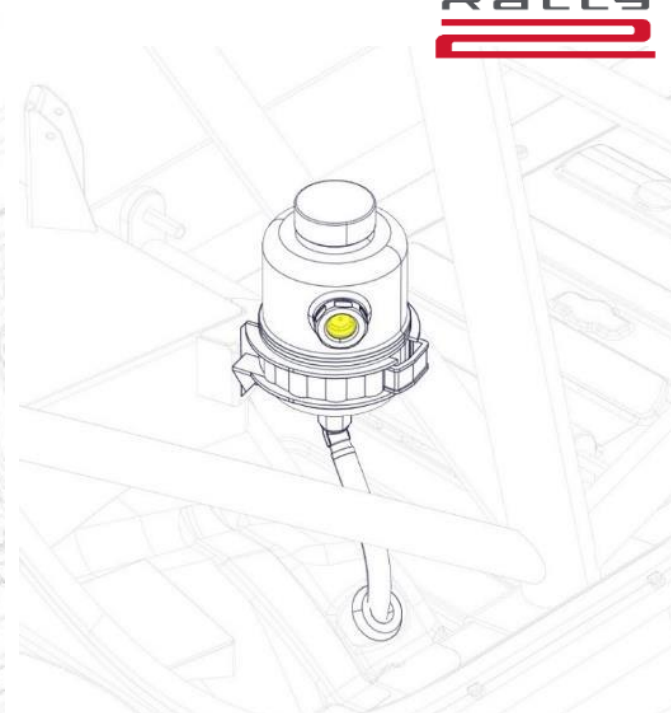
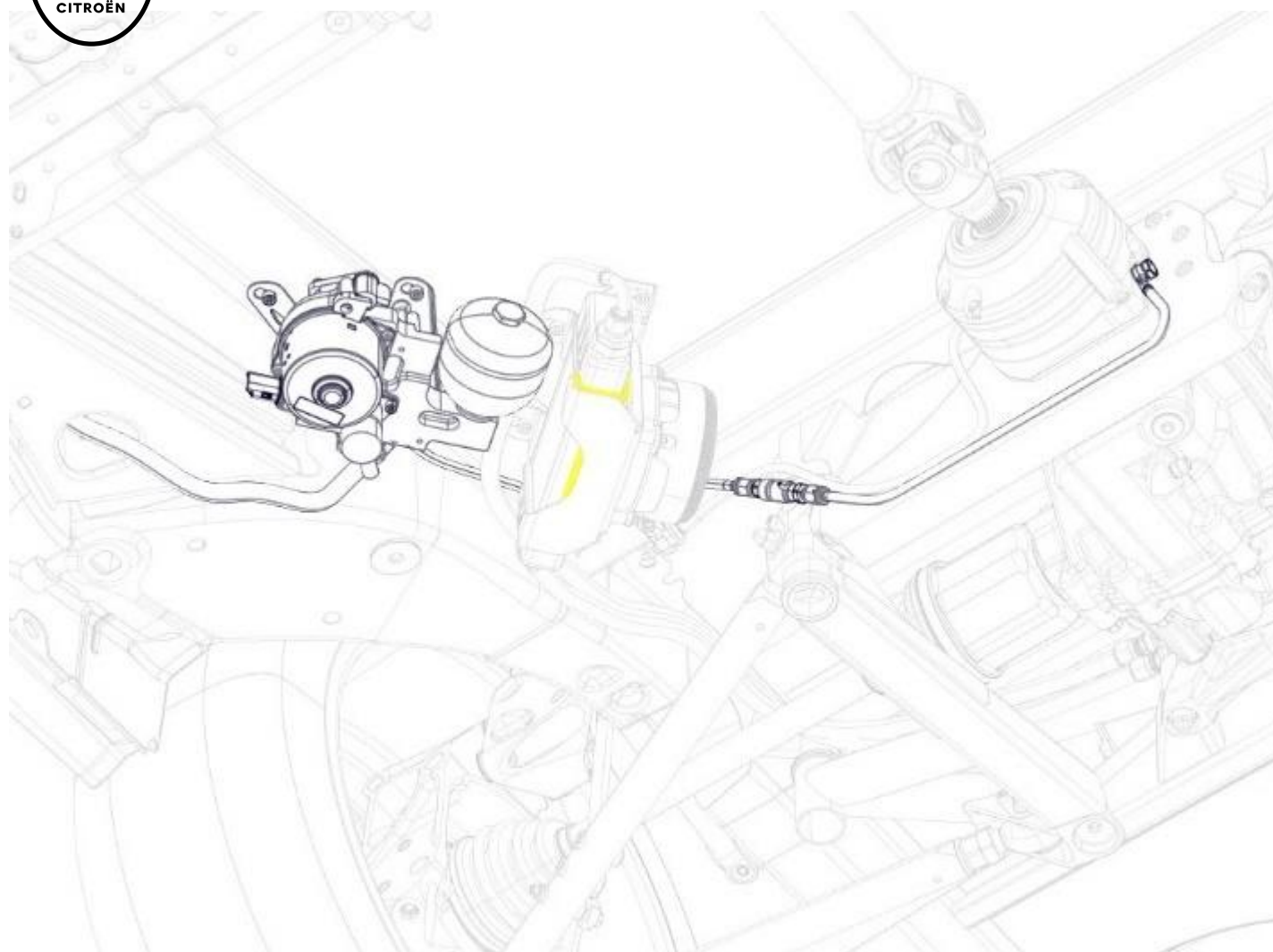


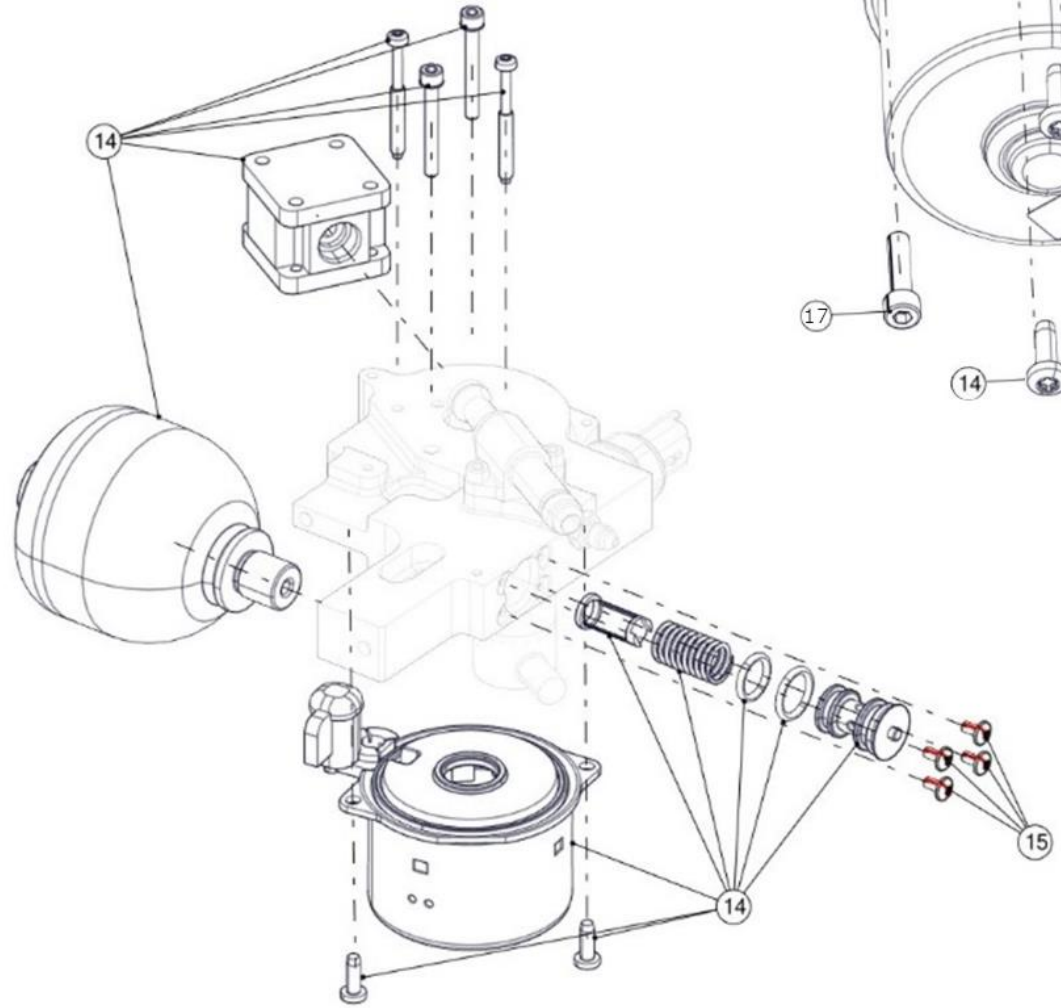
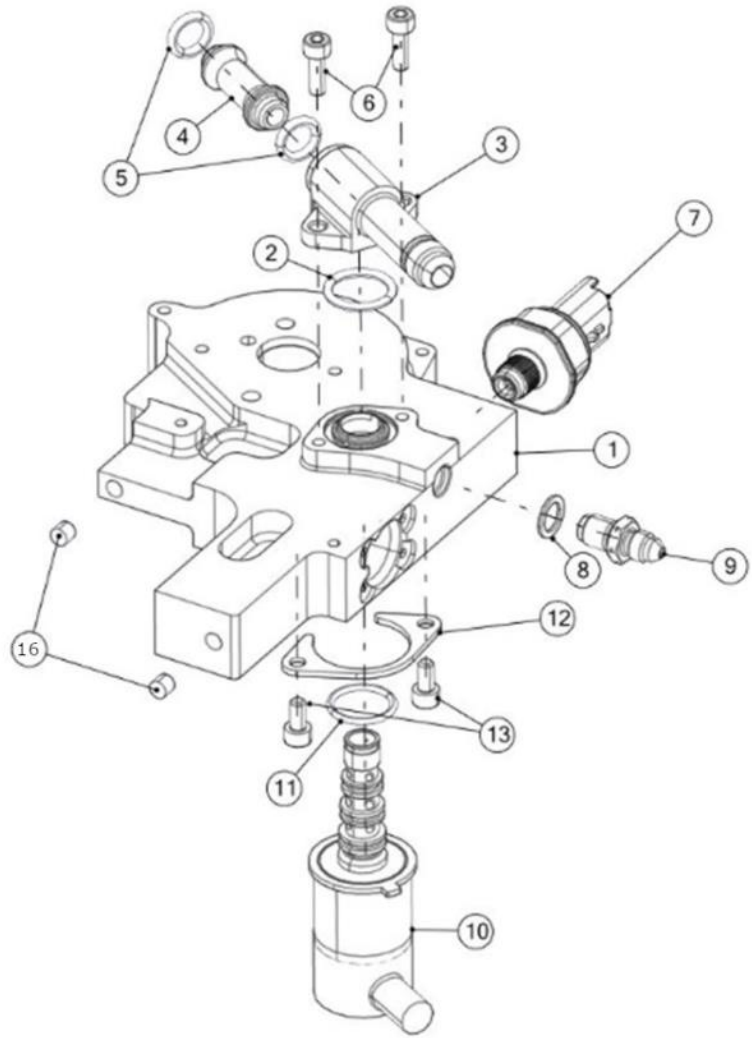
REP	REFERENCE	QTE	DESIGNATION
ENS COMMANDE EMBRAYAGE / CLUTCH COMMAND CIRCUIT			
1	PS81500A10	4	JOINT CUIVRE 10.2 D13 E1 <i>COPPER SEAL 10.2 D13 E1</i>
2	904605928A	1	ADAPT M10x100/M10x100 CONCAVE <i>Adaptator M10X100/M10X100</i>
3	ST04100027	1	PURGEUR M10x100 INOX <i>BLEED NIPPLE M10x100 C</i>
4	904605268B	1	TUYAU EMBRAYAGE <i>CLUTCH HOSE</i>
5	PS73348A10	1	ABOUT SPH03 DASH3 JE ALU <i>Coupling SPH03 DASH3 JE ALU</i>
6	PS73340A10	1	RACCORD SPH03 10X100 JE ALU (AVEC JOINT) <i>Coupling SPH03 10X100 JE ALU (With seal)</i>
7	PS73763A10	1	VIS BANJO M10X100 L20 <i>Banjo Screw M10x100 L20</i>

C29

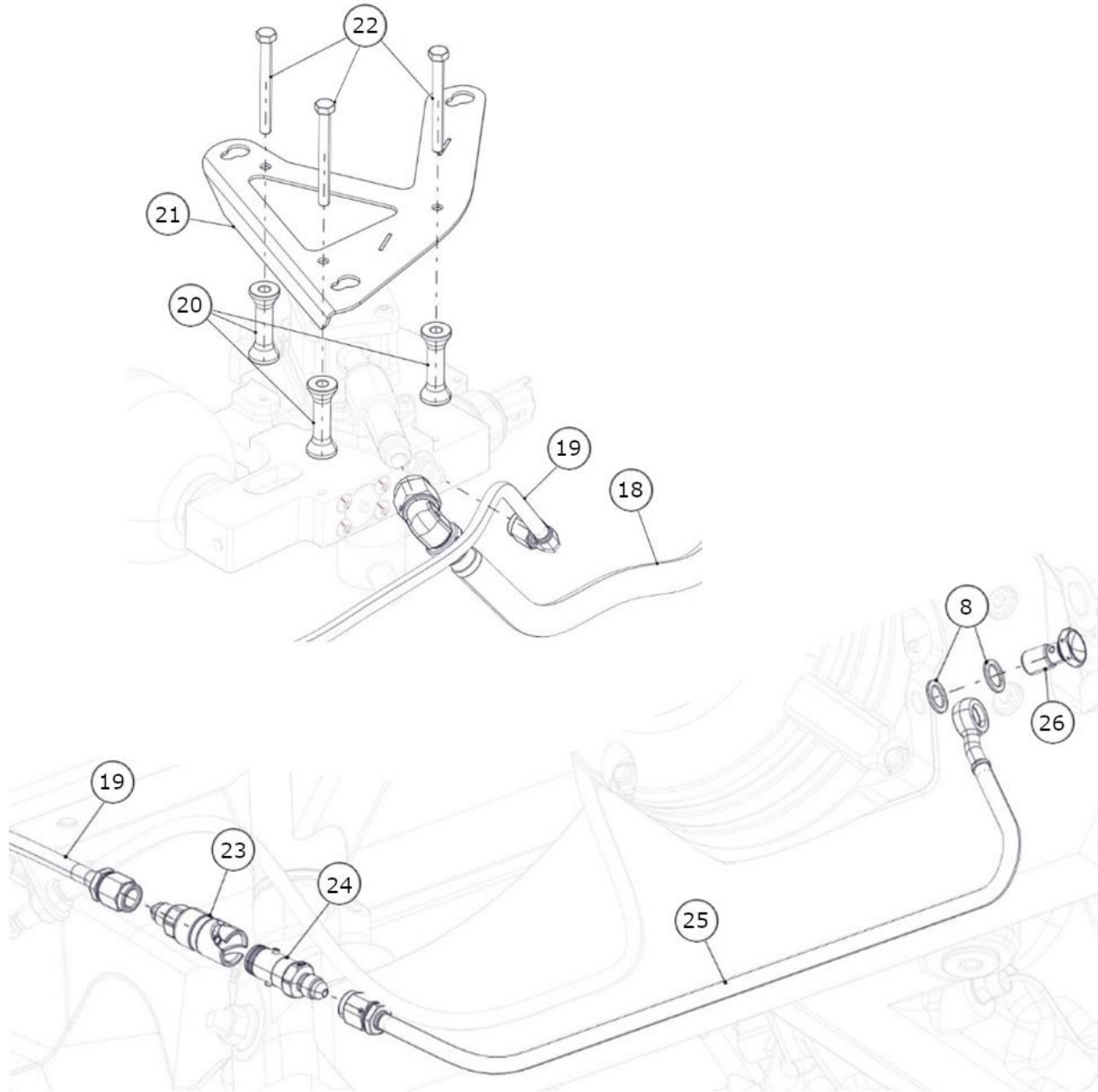
PILOTAGE EMBRAYAGE ARBRE LONGITUDINAL (PEAL) *REAR DIFF CLUTCH COMMAND*



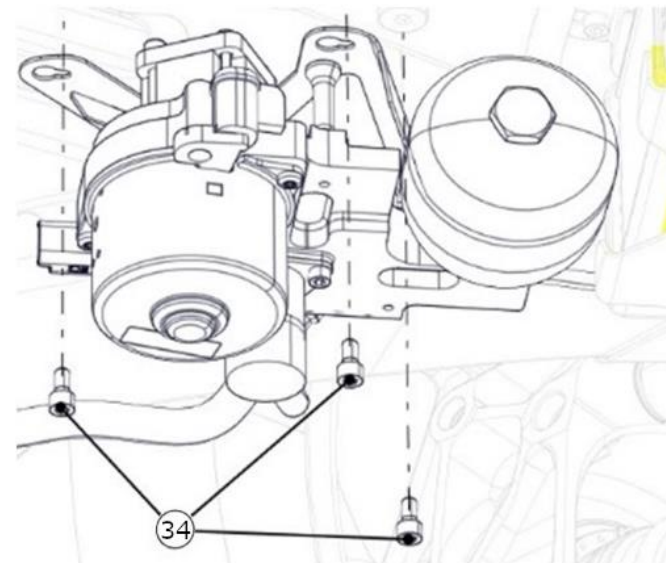
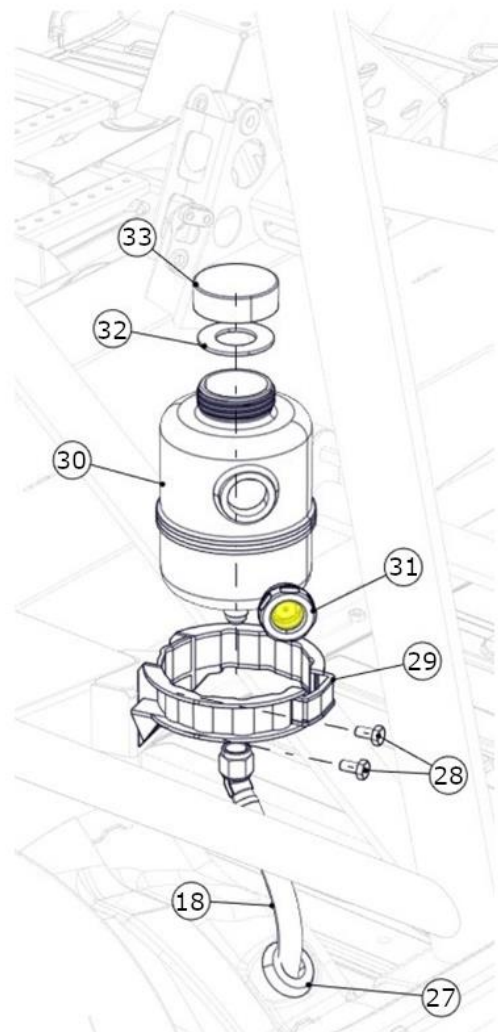




REP	REFERENCE	QTE	DESIGNATION
1	1C3524312C	1	Bloc Peal <i>PEAL body</i>
2	PS77042A10	1	Joint ToriqueD18x2.65 <i>O-ring D18x2.65</i>
3	1C3524322B	1	Retour Bloc PEAL <i>PEAL Feeding</i>
4	1C3524323A	1	Tube de Liaison <i>Connecting pipe</i>
5	PS77041A10	2	Joint ToriqueD10x3 <i>O-ring D10x3</i>
6	PS82118A10	2	Vis CHC M5x15 cl.10.9 <i>Screw CHC M5x15 cl12.9</i>
7	5273A2	1	Capteur pression hydraulique <i>Hydraulic pressure sensor</i>
8	PS81031A10	1	Joint cuivre 10.2x13.9x1 <i>Copper seal 10,2x13,9x1</i>
9	PS73385A10	1	Raccord Dash3 – M10x100 <i>Cpupling Dash3 – M10x100</i>
10	904475878B	1	Electrovanne PEAL <i>PEAL Electrovalve</i>
11	PS67152A10	1	Joint torique ø18x2 <i>O-ring ø18x2</i>
12	1C3524333A	1	Bride <i>Clamp</i>
13	PS82018A10	2	Vis CHC M5x10 cl.12.9 <i>Screw CHC M5x10 cl.12.9</i>
14	1608730380	1	Ensemble Électropompe d'Actionneur <i>Electro Pump Actuator assy</i>
15	691122	4	Vis RLX M4 <i>Screw M4 RLX</i>
16	ST00900022	2	Bouchon plug ø6 <i>Plug caps ø6</i>
17	PS82020A10	1	Vis CHC M5x25 <i>Screw CHC M5x25</i>



REP	REFERENCE	QTE	DESIGNATION
8	PS81500A10	2	Joint cuivre Ø10,2x13x1 <i>Copper seal Ø10,2x13x1</i>
18	904600198B	1	Tuyau alimentation PEAL <i>PEAL feeding hose</i>
19	904600178A	1	Tuyau commande Peal B <i>PEAL Command hose B</i>
20	904485758A	3	Entretoise <i>Spacer</i>
21	904485188A	1	Support PEAL <i>PEAL bracket</i>
22	ST05500004	3	Vis H M5x50 <i>Screw H M5x50</i>
23	PS73320A10	1	Staubli SPH037652BAL <i>Coupling SPH037652BAL</i>
24	PS73319A10	1	Staubli SPH031652BAL <i>Coupling SPH031652BAL</i>
25	904600168A	1	Tuyau commande Peal A <i>PEAL Command hose A</i>
26	PS73763A10	1	Vis Banjo M10x100 L20 <i>Banjo screw M10x100 L20</i>



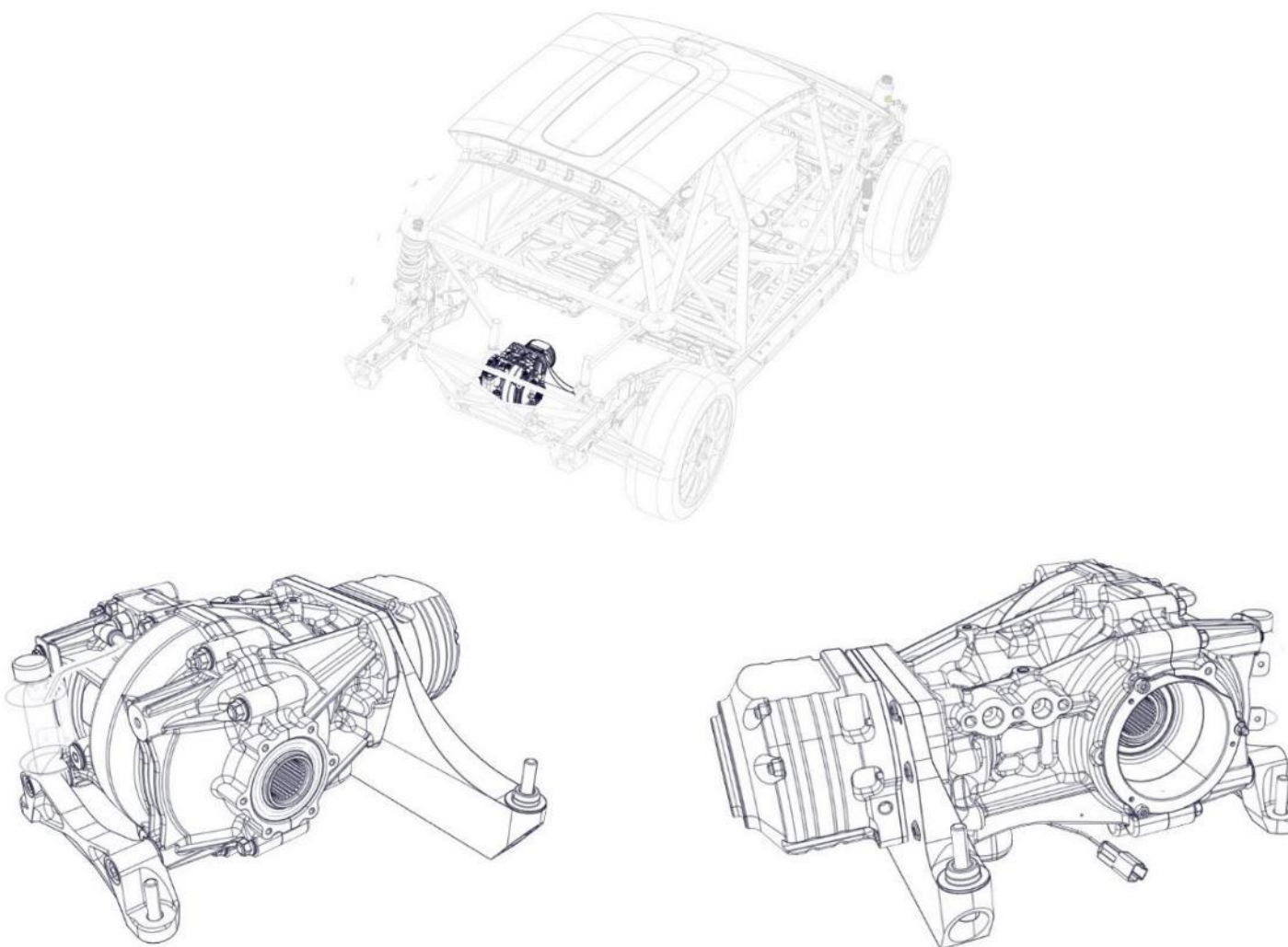
REP	REFERENCE	QTE	DESIGNATION
27	698778	1	Obturateur D35 <i>Grommet D35</i>
28	PS84527A10	2	Vis H M6x12 <i>Screw H M6x12</i>
29	401896	1	Support réservoir hydraulique <i>PEAL Tank mount</i>
30	1C3541068A	1	Réservoir aluminium PEAL <i>PEAL tank</i>
31	90344293-A	1	Indicateur de niveau d'huile <i>Oil level indicator</i>
32	1E4242411A	1	Joint de bouchon réservoir PEAL <i>PEAL tank cap seal</i>
33	1E4242287A	1	Bouchon réservoir <i>Tank plug</i>
34	PS82119A10	3	Vis CHC M6x12 <i>Screw CHC M6x12</i>
35	1615099680	1	Liquide hydraulique LDS 1L <i>LDS hydraulic fluide 1L</i>

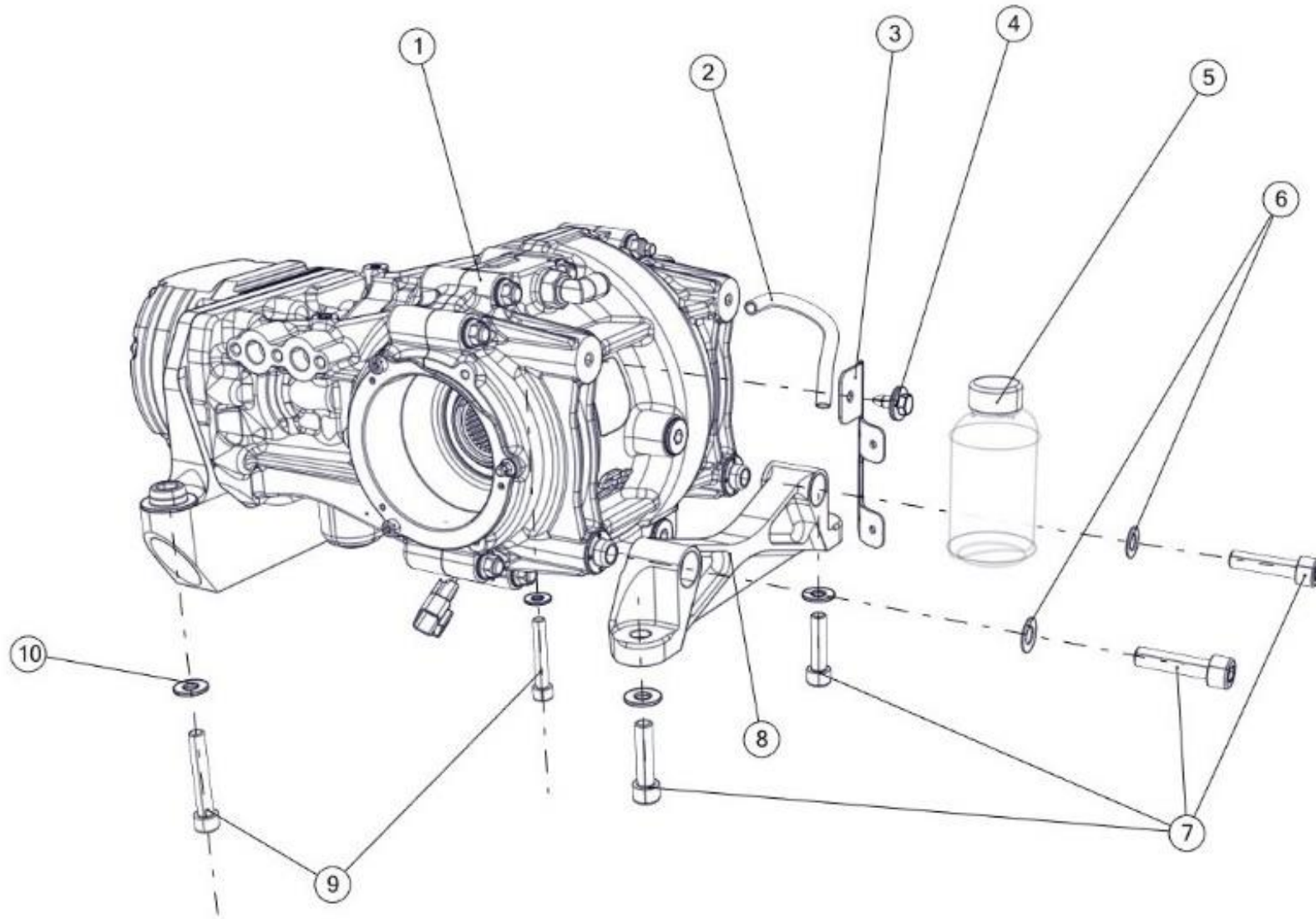
C34

PONT ARRIERE

REAR DIFFERENTIAL





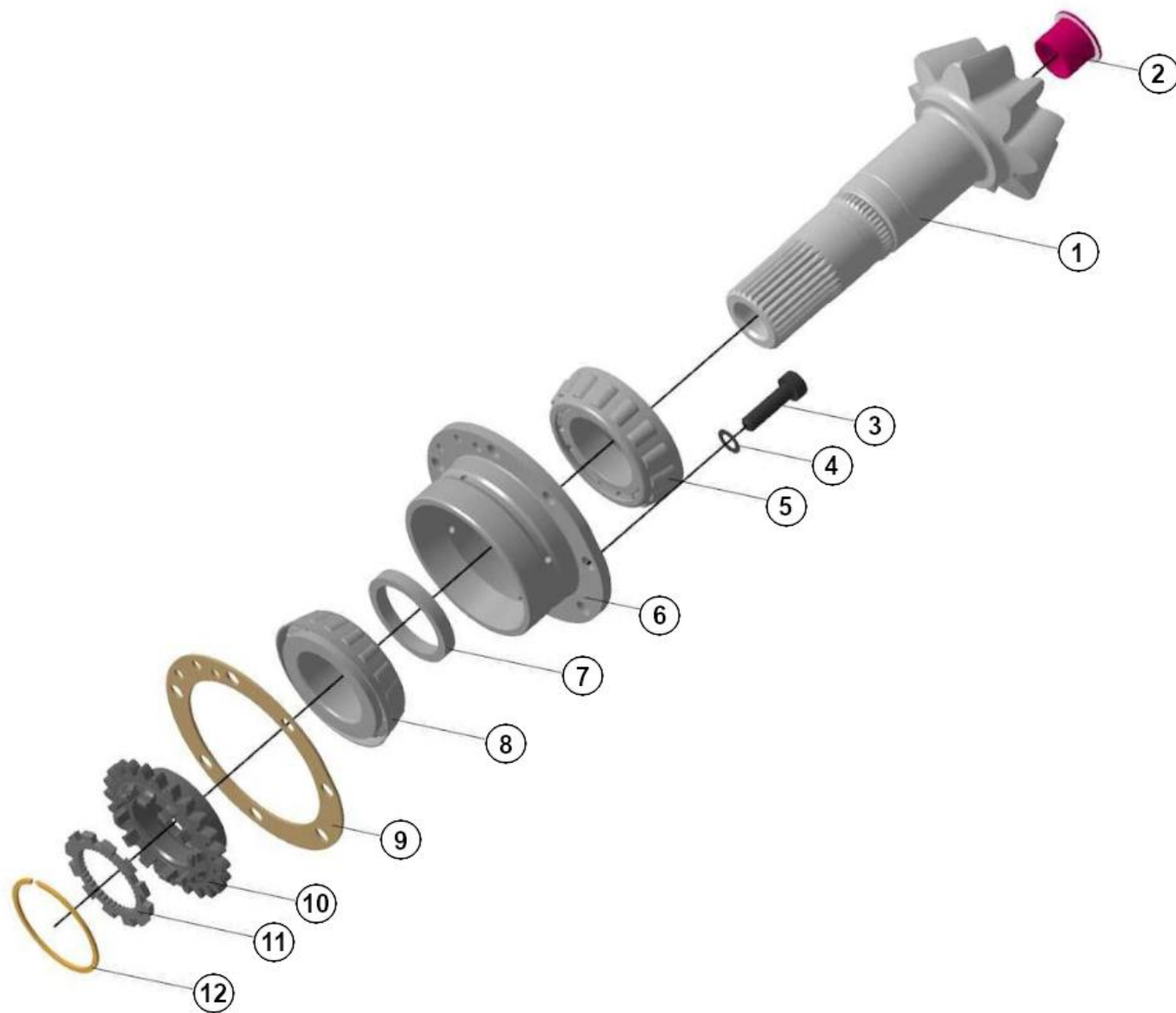


REP	REFERENCE	QTE	DESIGNATION
1	904621978A	1	Pont arrière C3R5 35/90 12FF <i>Rear differential 35/90 12FF</i>
2	904495938A	1	TUBE-FEP-140-D8X6 (200mm) <i>Degasing pipe FEP D8x6 (200mm)</i>
3	904610338A	1	Support bocal <i>Degasing bottle mount</i>
4	9674988180	1	Vis HRC M6x100 L16 <i>HRC screw M6x100 L16</i>
5	CS180068FG	1	Bocal dégazage <i>Degazing bottle</i>
6	PS86538A10	2	Rondelle onduflex D10 <i>Washer D10</i>
7	PS82095A10	4	Vis CHC M10x150 L40 <i>CHC screw M10x150 L40</i>
8	904481898A	1	Support pont arrière <i>Rear differential mount</i>
9	PS82076A10	2	Vis CHC M10x150 L60 <i>CHC screw M10x150 L60</i>
10	6947H6	4	Rondelle plate D10x22x2.5 <i>Washer D10x22x2.5</i>
11	904895438A	2	HUILE BV ELF HTX750 1L <i>Gearbox Oil ELF HTX750 1L</i>



C342
PONT – ARBRE D'ENTREE
REAR DIFF – INPUT SHAFT



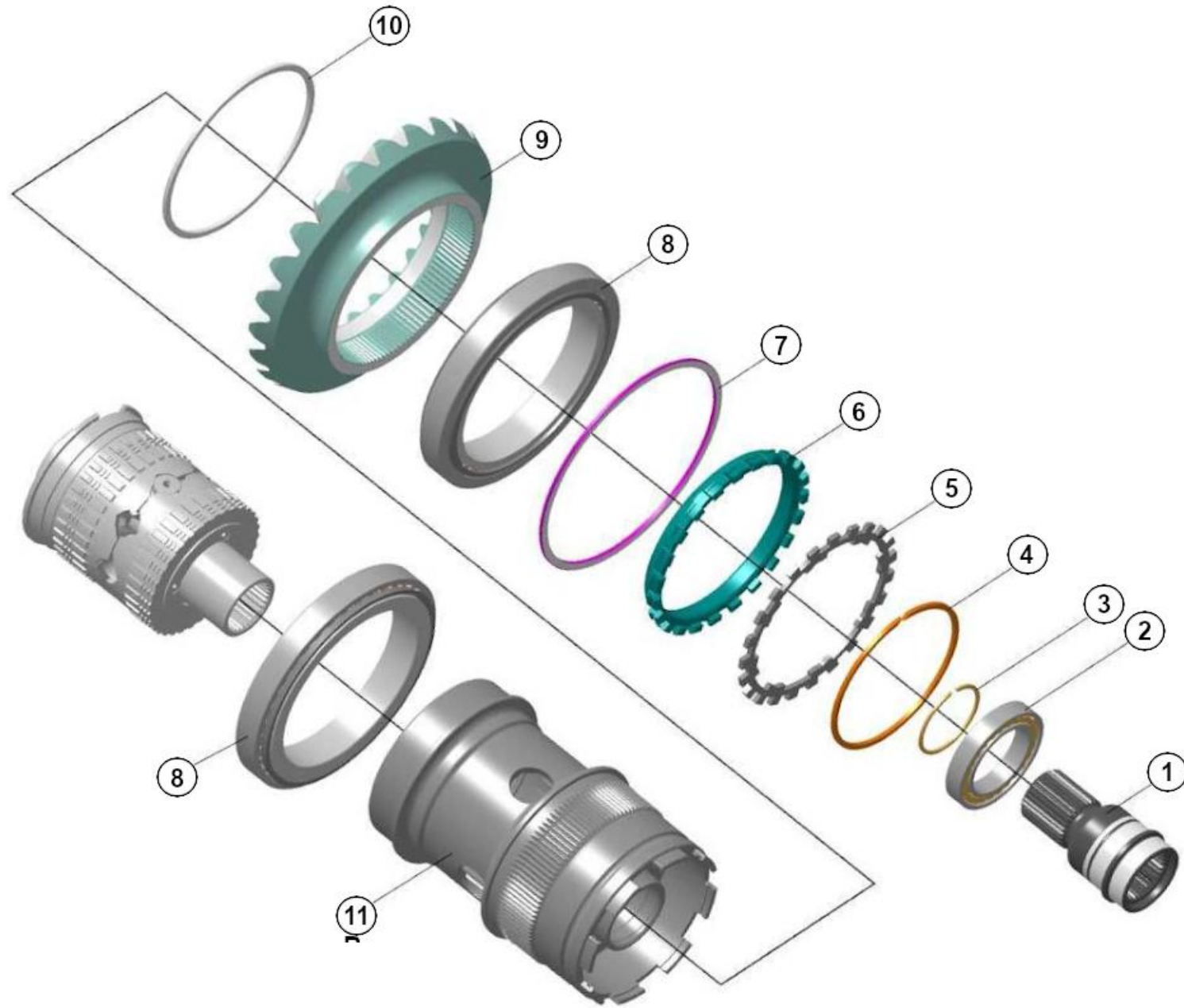


REP	REFERENCE	QTE	DESIGNATION
1	CPL8249053801	1	Couple final arrière <i>8x24 final drive</i>
2	F9053802	1	Fourreau arbre d'entrée <i>Oil channel</i>
3	0301196	7	Vis CHC M7x25 <i>M7x25 CHC screw</i>
4	0599062	7	Rondelle SPS Ø7 <i>Ø7 SPS washer</i>
5	F9040112	1	Roulement conique 30207M <i>Machined 30207M bearing</i>
6	F9040104	1	Cage de roulement double <i>Pinion bearing housing</i>
7	F90401061	1	Jeu de cales de précharge <i>Bearing preload shim set</i>
8	0104063	1	Roulement conique Timken 19138 <i>19138 bearing</i>
9	F90401052	1	Jeu de cales d'avancement <i>Gear advance adjustment shim set</i>
10	F9040107	1	Ecrou <i>Pinion nut</i>
11	F9040103	1	Rondelle anti-desserrage <i>Nut stopping washer</i>
12	9907044	1	Anneau expansif Seeger SW45 <i>SW45 ring</i>



C343_1
PONT – BOITIER DIFFERENTIEL
REAR DIFF – DIFFERENTIAL LINE



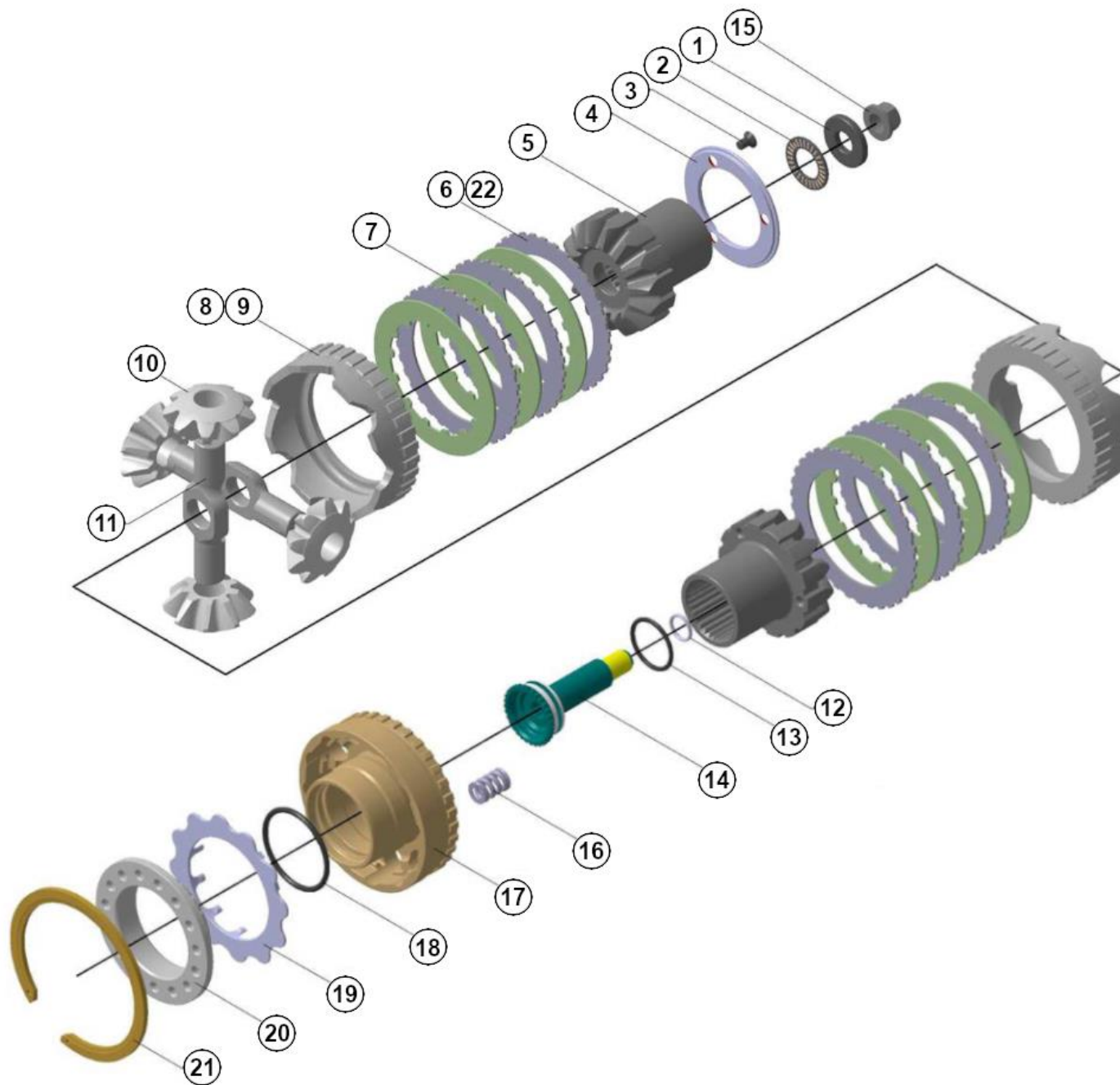


REP	REFERENCE	QTE	DESIGNATION
1	F9053808	1	Arbre intermédiaire arrière <i>Right side output hub</i>
2	0101134	1	Roulement à billes 61909 <i>61909 bearing</i>
3	9907044	1	Anneau expansif Seeger SW45 <i>SW45 ring</i>
4	9907091	1	Anneau expansif Seeger SB98 <i>SB98 ring</i>
5	F9053806	1	Rondelle anti-desserrage écrou de boîtier <i>Lock ring</i>
6	F9042303	1	Ecrou de boîtier <i>Differential case nut</i>
7	F90423091	1	Jeu de cales de précharge <i>Timken preload shim set</i>
8	01040761	2	Roulement conique L521949 équipé <i>L521949 bearing</i>
9	CPL8249053801	1	Couple final arrière <i>8x24 final drive</i>
10	F90423041	1	Jeu de cales de couronne <i>Crownwheel front shim set</i>
11	F9053807	1	Boîtier d'autobloquant arrière <i>Differential housing</i>



C343_2
PONT – DIFFERENTIEL
REAR DIFF – DIFFERENTIEL





REP	REFERENCE	QTE	DESIGNATION
1	F9053311	1	Entretoise <i>Spacer</i>
2	0199042	1	Butée aiguilles AXK1730 <i>AXK 1730 bearing</i>
3	0303068	3	Vis FHC M5x8 <i>FHC M5x8 screw</i>
4	F9053312	1	Plaque de retenue <i>Sun gear plate</i>
5	F9053306	1	Planétaires <i>Sun gear</i>
6	F1904057	6	Disque lisse 1,5mm <i>Core disc 1.5mm</i>
7	F9007320	6	Disque friction 1,5mm <i>Friction disc 1.5mm</i>
8	F90533421	1	Rampe 35/60 – 35/90 <i>Ramp 35/60 – 35/90</i>
9	F90533391	1	Rampe 40/60 <i>Ramp 40/60</i>
10	F9053315	4	Satellites <i>Planet gear</i>
11	F9053309	2	Axe de satellite <i>Planet gear axle</i>

REP	REFERENCE	QTE	DESIGNATION
12	F90373671	1	Jeu de cales de réglage <i>Gear shim set</i>
13	0201129	1	Joint torique Ø25x2,5 <i>Ø25x2,5 O-ring</i>
14	F90533101	1	Vis de planétaire équipée <i>Sun gear bolt</i>
15	0499009	1	Ecrou Simmons M12x125 <i>M12x125 Simmons nut</i>
16	0801111	12	Ressort de compression <i>Preload spring</i>
17	F9053305	1	Couvercle d'autobloquant <i>Differential end cap</i>
18	0202068	1	Joint torique Ø41x3 <i>Ø41x3 O-ring</i>
19	F9053308	1	Anneau anti-desserrage <i>Lock ring</i>
20	F9053307	1	Ecrou de précharge <i>Preload adjustment nut</i>
21	F9044313	1	Circlip <i>Circlip</i>
22*	F9046345-1.55	6	Disque lisse 1,55mm <i>Core disc 1.55mm</i>

* : Infotech 21-08



C344
PONT – LUBRIFICATION
REAR DIFF – LUBRICATION



REP	REFERENCE	QTE	DESIGNATION
1*	F90400071	1	Assemblage pompe à huile <i>Oil pump</i>
2	9907047	1	Anneau expansif SB14 <i>SB14 clip</i>
3	0203055	1	Bague étanchéité G10x14x3 <i>G10x14x3 seal bushing</i>
4	0201131	1	Joint torique Ø8x2 <i>Ø8x2 O-ring</i>
5	0201088	1	Joint torique nitrile Ø47x2 <i>Ø47x2 O-ring</i>
6	F9040056	1	Pignon moteur gros debit <i>Main pinion</i>
7	F9037066	1	Pignon récepteur <i>Pinion</i>
8	F9004127	1	Pion de centrage <i>Centering pin</i>
9	F9040009	1	Flasque de pompe <i>Pump end cap</i>
10	0599006	5	Rondelle SPS Ø6 <i>Ø6 SPS washer</i>

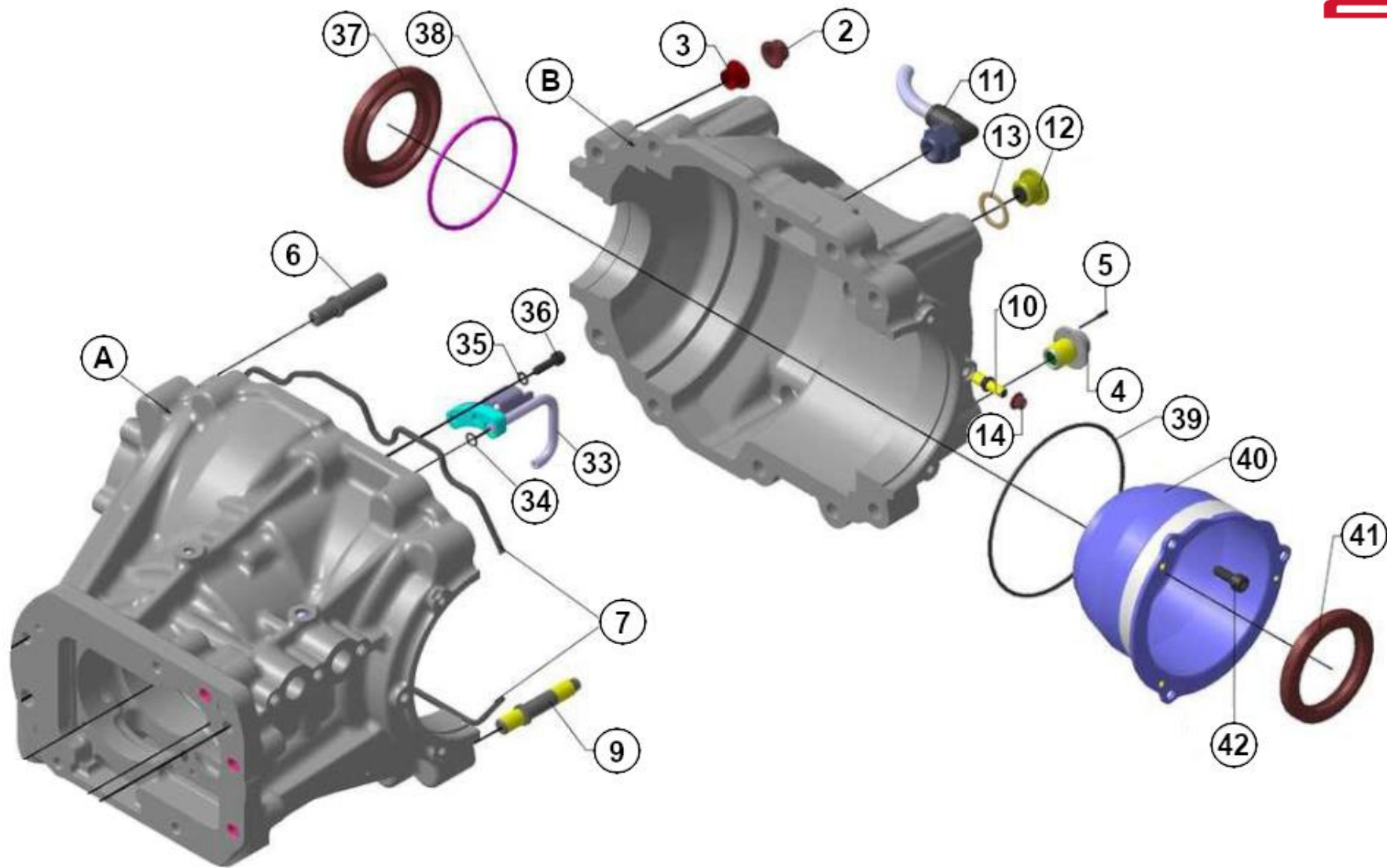
REP	REFERENCE	QTE	DESIGNATION
11	0301237	2	Vis CHC M6x35 <i>M6x35 CHC screw</i>
12	0301514	3	Vis CHC M5x12 <i>M5x12 CHC screw</i>
13	0301007	3	Vis CHC M6x20 <i>M6x20 CHC screw</i>
14	0302042	2	Vis HC M8x8 <i>M8x8 HC screw</i>
15	0103056	1	Roulement NU 205 ECP <i>NU205 bearing</i>
16	9907060	1	Anneau expansif SB52 <i>SB52 ring</i>
17	0601042	1	Circlips extérieur Ø10 <i>Ø10 clip</i>
18	F9040052	1	Roue d'entrainement <i>Driven gear</i>
19	0101122	1	Roulement à billes 61804 <i>61804 bearing</i>

1 = A + 2 + ... + 13



C345
PONT – CARTERS
REAR DIFF – CARTERS

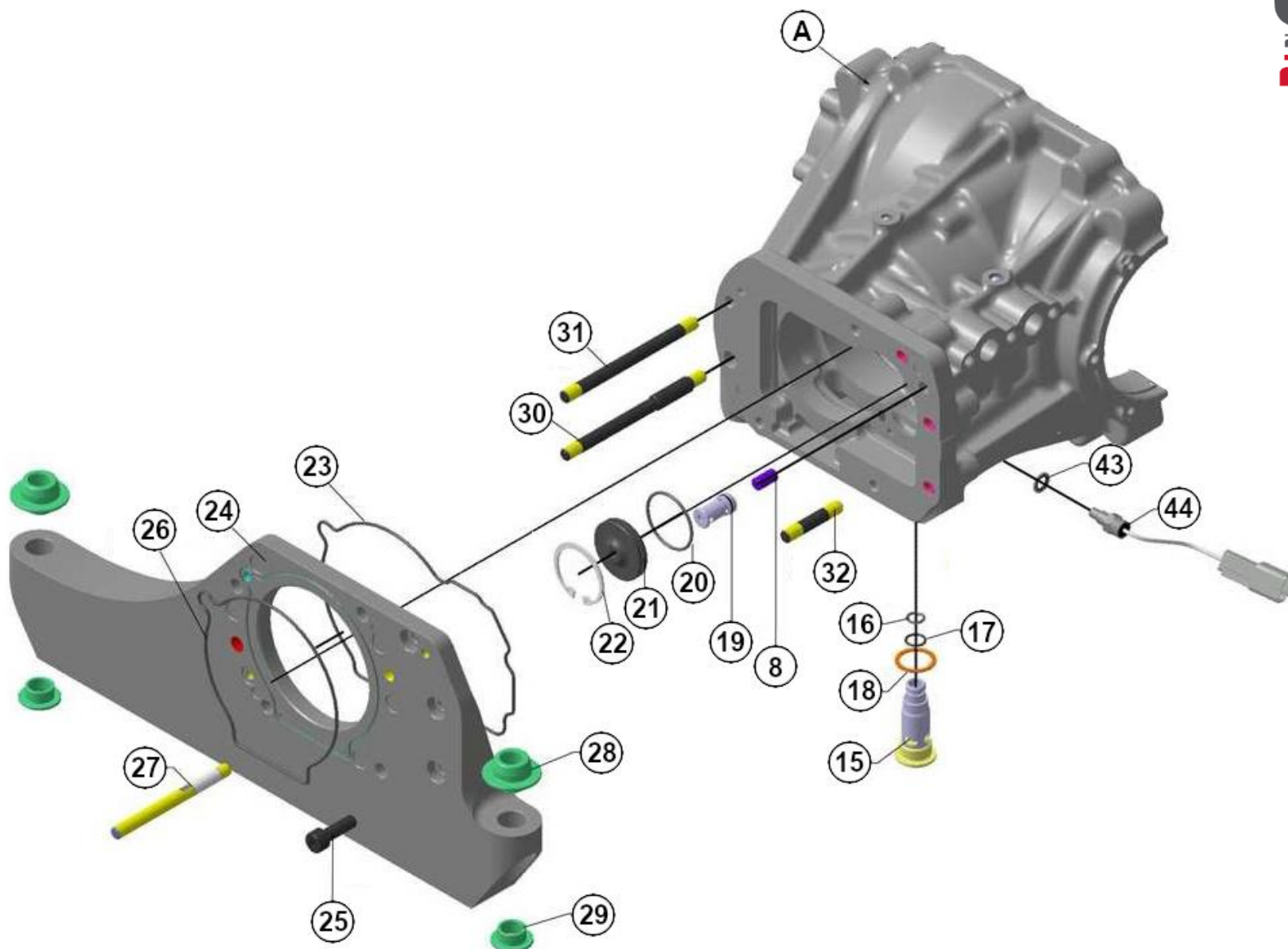




REP	REFERENCE	QTE	DESIGNATION
1	F15138061	1	Carter pont AR équipé <i>Complete differential housing</i>
2	0499013	10	Ecrou Simmonds M10 <i>M10 Simmonds nut</i>
3	F9040019	10	Bobine <i>Insert</i>
4	F1513801	2	Canon fixation centreur évo <i>Tapped sleeve</i>
5	0701040	2	Goupille Mécanindus Ø2,5x8 <i>Ø2,5x8 pin</i>
6	F9042019	9	Goujon M10 Lg54 <i>M10 stud lg 54mm</i>
7	0201300	1	Joint torique nitrile Ø208x3 <i>Ø208x3 O-ring</i>
8	F0059030	1	Pion de centrage Ø8 <i>Ø8 centering pin</i>
9	F9053825	1	Goujon M10 Lg60 <i>Machined M10 stud lg 60mm</i>
10	F9053008	1	Goujon épaulé M7/M6 L24 <i>Machined M7/M6 stud 24mm</i>
11	9999263	1	Raccord instantané <i>Venting fitting</i>
12	F1402058	2	Bouchon de vidange aimanté <i>Drain plug</i>
13	0599002	2	Rondelle cuivre 16,1x23x1 <i>Drain plug seal</i>
14	0499010	1	Ecrou Simmonds M6 <i>Simmonds M6 bolt</i>

REP	REFERENCE	QTE	DESIGNATION
33	F90538161	1	Rampe de lubrification <i>Lubrication ramp</i>
34	0201291	1	Joint torique nitrile Ø6x1,5 <i>Ø6x1,5 O-ring</i>
35	0599012	2	Rondelle SPS Ø5 <i>Ø5 SPS washer</i>
36	0301240	2	Vis CHC M5x16 <i>M5x16 CHC screw</i>
37	0206029	1	Joint double lèvre 45 x 72 x 8 <i>45 x 72 x 8 lip seal</i>
38	9907090	1	Anneau expansif Seeger SB68 <i>SB68 clip</i>
39	0202069	1	Joint torique viton Ø102x2,5 <i>Ø102x2,5 viton O-ring</i>
40	F9053021	1	Porte joint côté gauche <i>Lip seal bracket</i>
41	0206015	1	Joint double lèvres Ø50x68x8 <i>50x68x8 viton lip seal</i>
42	F9037112	2	Vis de plombage CHC M6x16 <i>M6x16 CHC sealing screw</i>

1 = A + B + ... + 10



REP	REFERENCE	QTE	DESIGNATION
8	F0059030	1	Pion de centrage Ø8 <i>Ø8 centering pin</i>
15	F90370561	1	Crépine équipée <i>Suction screen</i>
16	0202041	2	Joint torique viton Ø8,5x1,5 <i>Ø8,5x1,5 viton O-ring</i>
17	0202078	1	Joint torique viton Ø10x1,5 <i>Ø10x1,5 viton O-ring</i>
18	F9037059	1	Rondelle cuivre Ø19,2x24x1 <i>Ø19,2x24x1 copper washer</i>
19	9999525	1	Limiteur de pression (5bar) <i>5bars check valve insert</i>
20	0201102	1	Joint torique nitrile Ø34x2 <i>Ø34x2 O-ring</i>
21	F9040014	1	Bouchon limiteur de pression <i>Check valve plug</i>
22	0602016	1	Circlips intérieur Ø38 <i>Ø38 circlip</i>
23	0201268	1	Joint torique nitrile Ø148x2 <i>Ø148x2 O-ring</i>
24	F1513020	1	Plaque intermédiaire limiteur <i>Overload clutch plate</i>

REP	REFERENCE	QTE	DESIGNATION
25	0301532	3	Vis CHC M8x25 <i>M8x25 CHC screw</i>
26	0201188	1	Joint torique nitrile Ø116x2 <i>Ø116x2 O-ring</i>
27	F1513805	1	Goujon M8 Lg92mm <i>M8x92 stud</i>
28	F1513030	2	Insert supérieur centreur <i>Top insert bushing</i>
29	F1513029	2	Insert inférieur <i>Lower insert bushing</i>
30	F1513804	1	Goujon M8 Lg113 <i>M8x113 centering stud</i>
31	F1513803	3	Goujon M8 Lg107 <i>M8x107 stud</i>
32	F9040004	1	Goujon M8 Lg45 <i>M8x45 stud</i>
43	0599059	1	Rondelle etancheite 8,6x13x1 <i>8,6x13x1 seal washer</i>
44	F0089222	1	Sonde de température CTN <i>Thermo probe CTN</i>

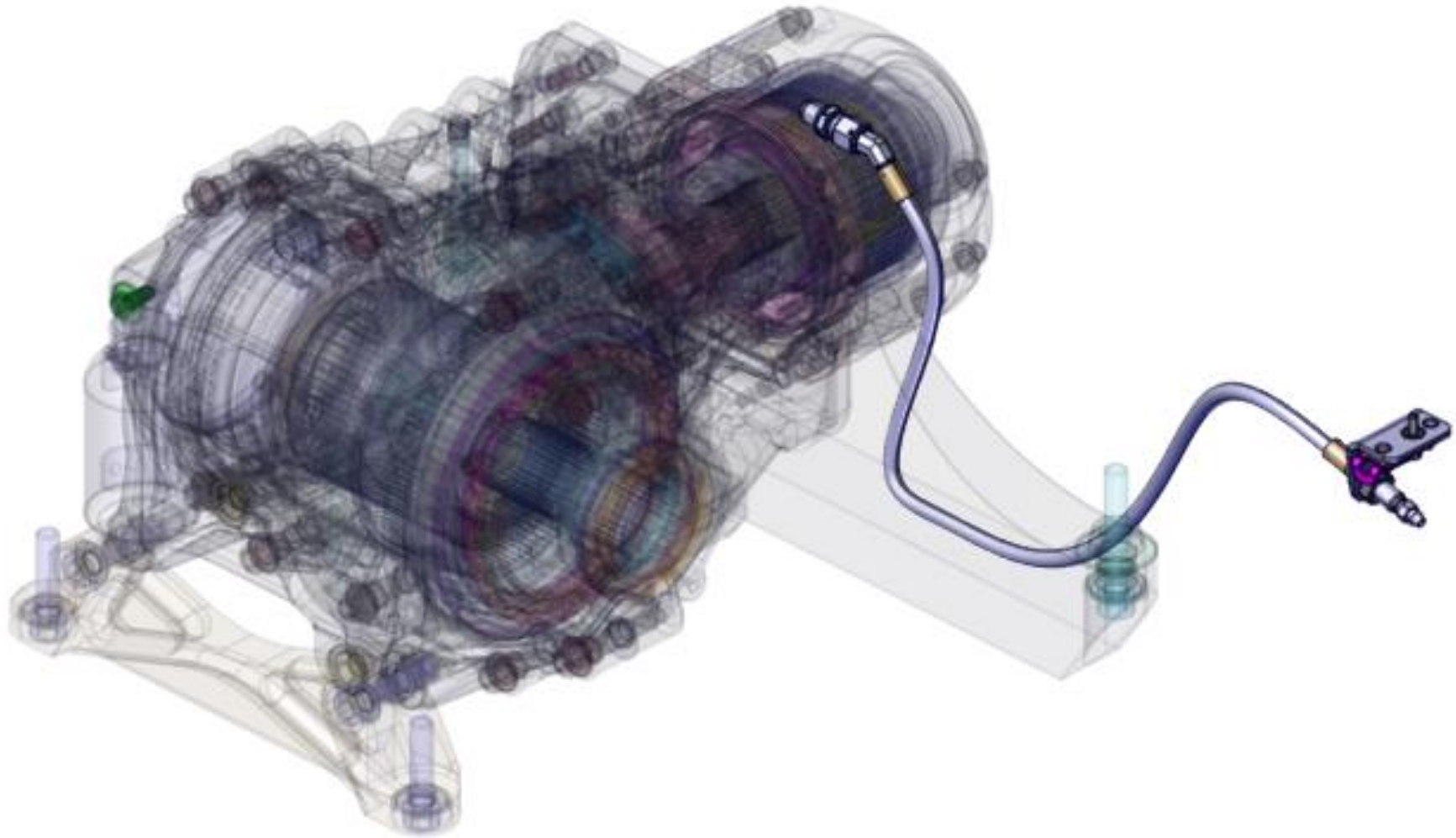
1 = A + B + ... + 10

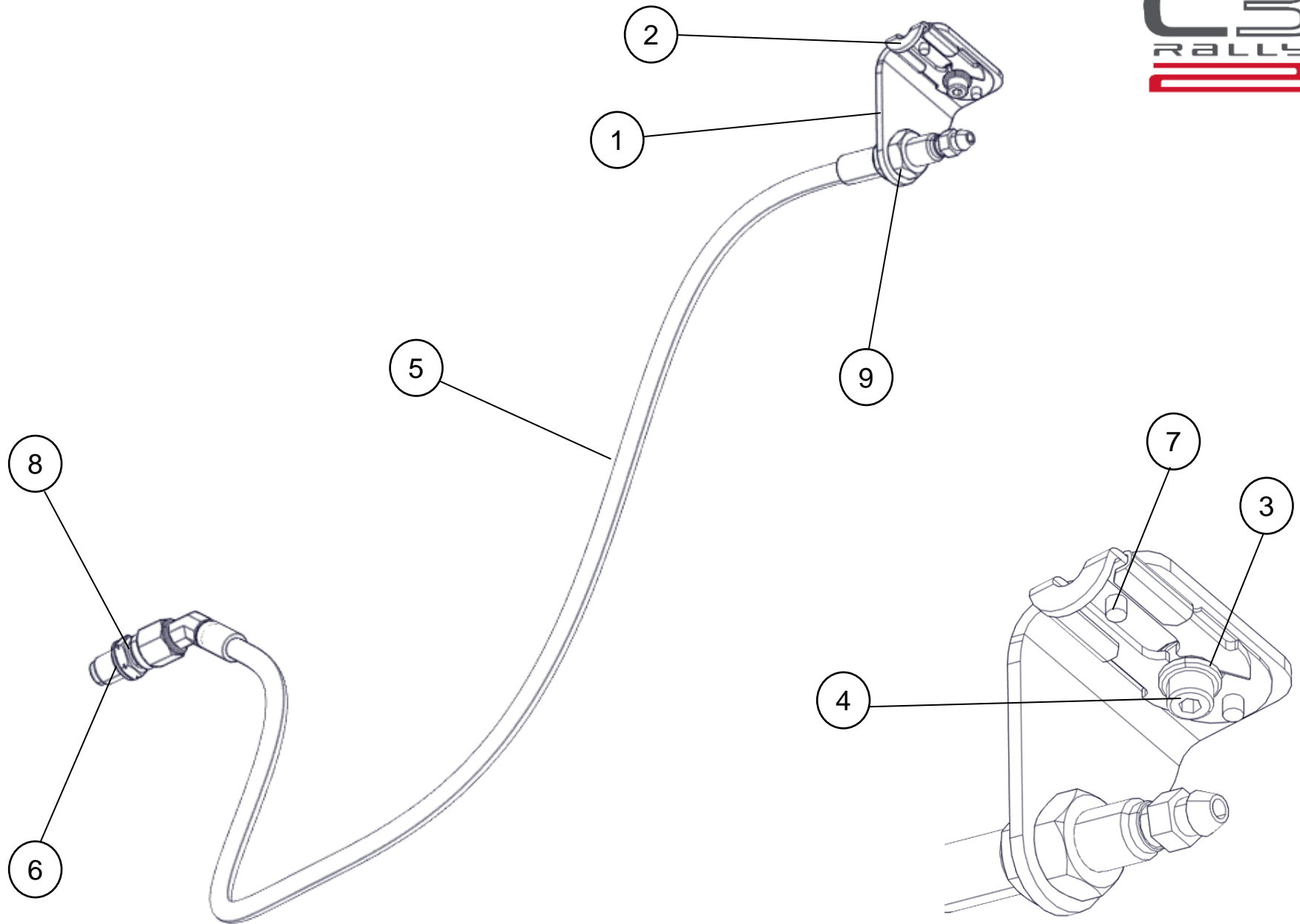
C35

PURGE DE PONT ARRIERE

REAR DIFF BLEEDING







REP	REFERENCE	QTE	DESIGNATION
1	904606028B	1	EQUERRE PURGE PONT <i>Rear diff bleeding bracket</i>
2	PS78573A10	1	TARGETTE <i>Slide Latch</i>
3	PS78574A10	1	PION DE TARGETTE <i>Bush</i>
4	PS82004A10	1	Vis CHC M4x16 cl.12.9 <i>Screw CHC M4x16 cl12.9</i>
5	904606048B	1	TUYAU PURGE PONT <i>Rear diff bleeding pipe</i>
6	PS81500A10	1	JOINT CUIVRE 10.2 D13 E1 <i>Copper seal 10.2 D13 E1</i>
7	ST04300002	2	RIVET TF D3.3x6 INOX/INOX <i>Rivet D3.3x6</i>
8	PS73385A10	1	Raccord acier dash3 10x100 M/M <i>Adaptator dash3 10x100 M/M</i>
9	PS74720A10	1	Ecrou bas 3/8"" -24 UNF <i>Nut 3/8 - 24 UNF</i>



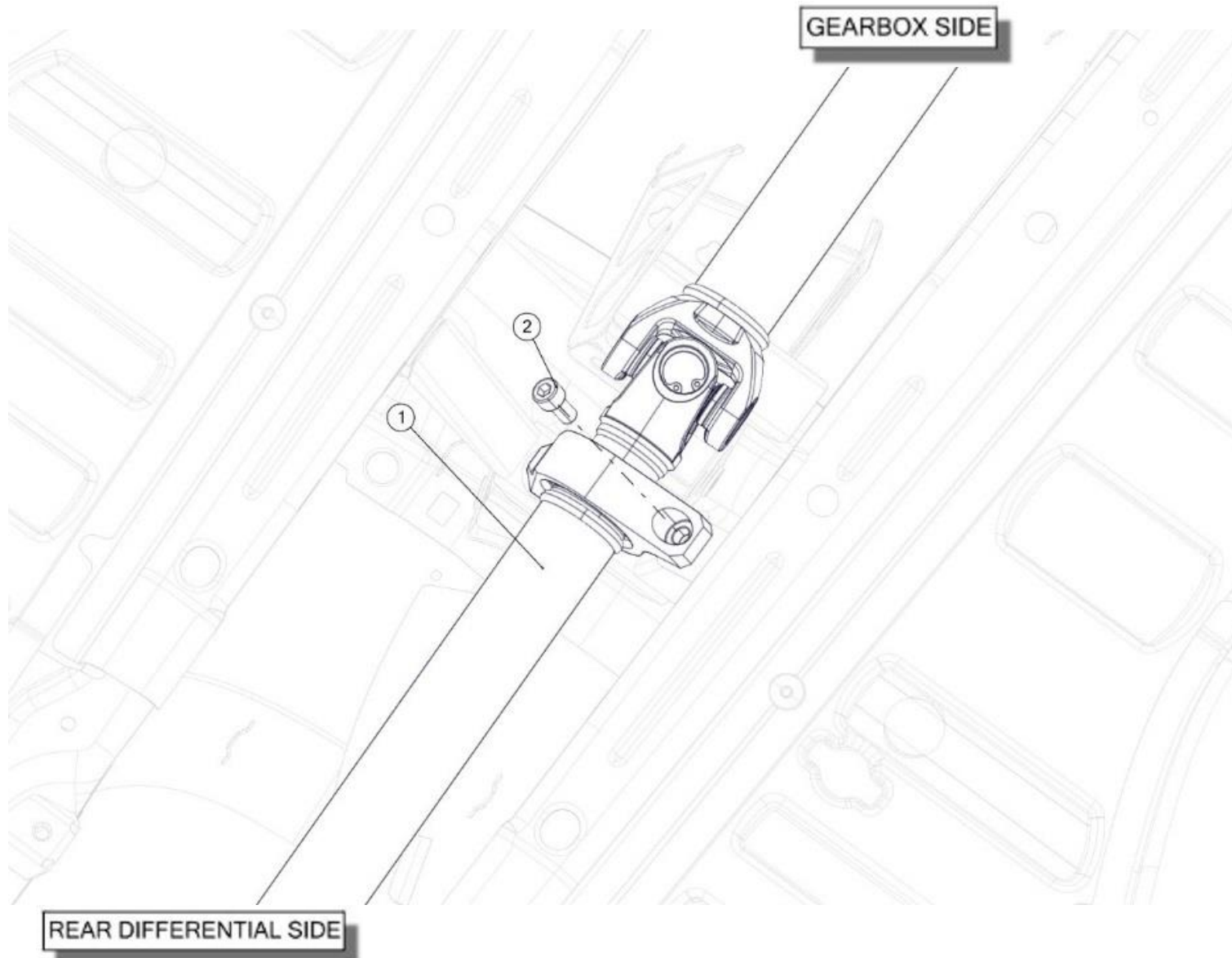
C61

TRANSMISSION LONGITUDINALE

PROP SHAFT







REP	REFERENCE	QTE	DESIGNATION
1	904471508A	1	Arbre longi C3R5 <i>Prop shaft C3R5</i>
2	PS82013A10	1	Vis CHC M10x150 L20 <i>CHC screw M10x150 L20</i>
3*	PS86008A10	1	Rondelle Ondulée D10 <i>Spring Washer D10</i>

* : not represented

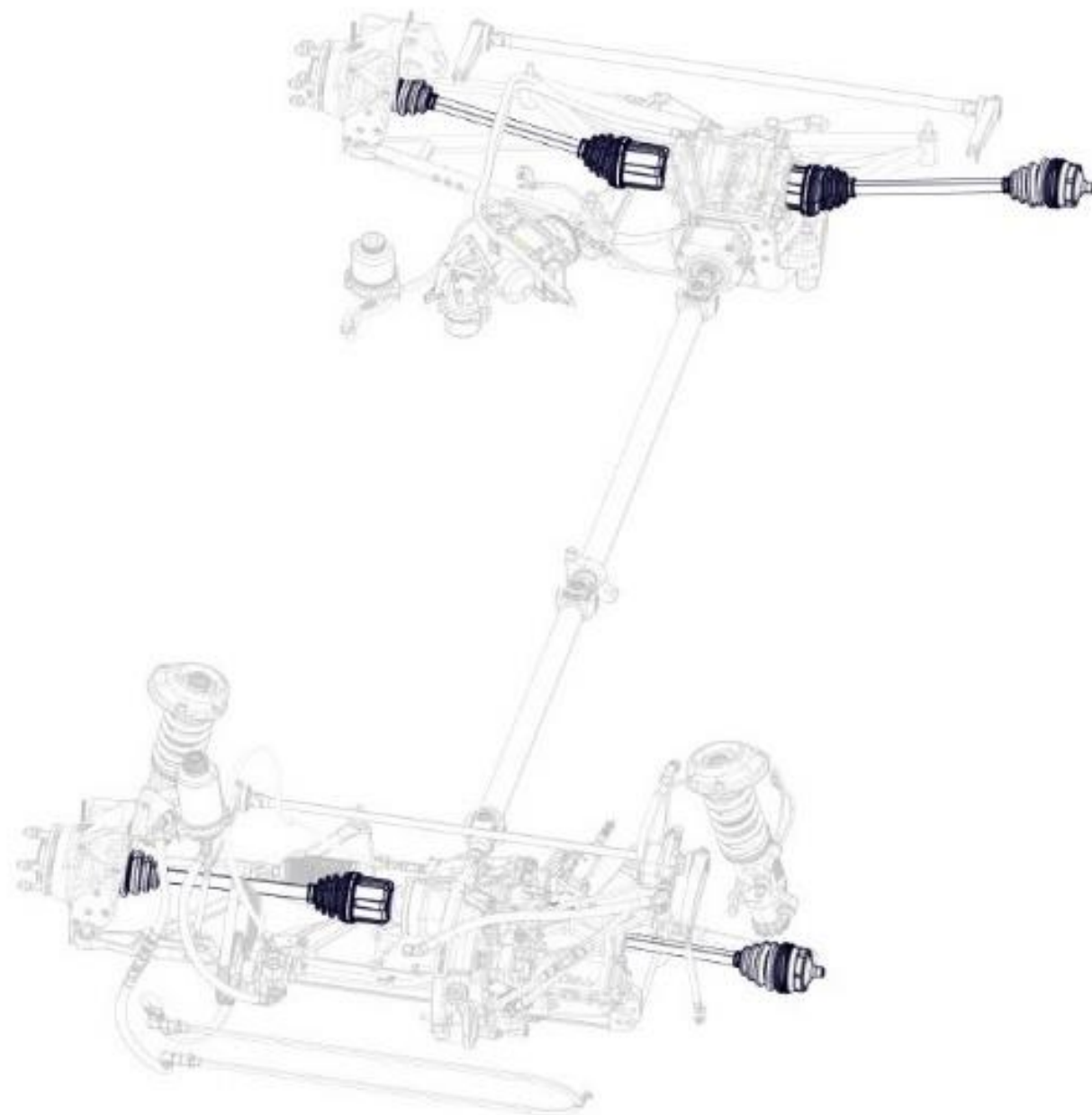


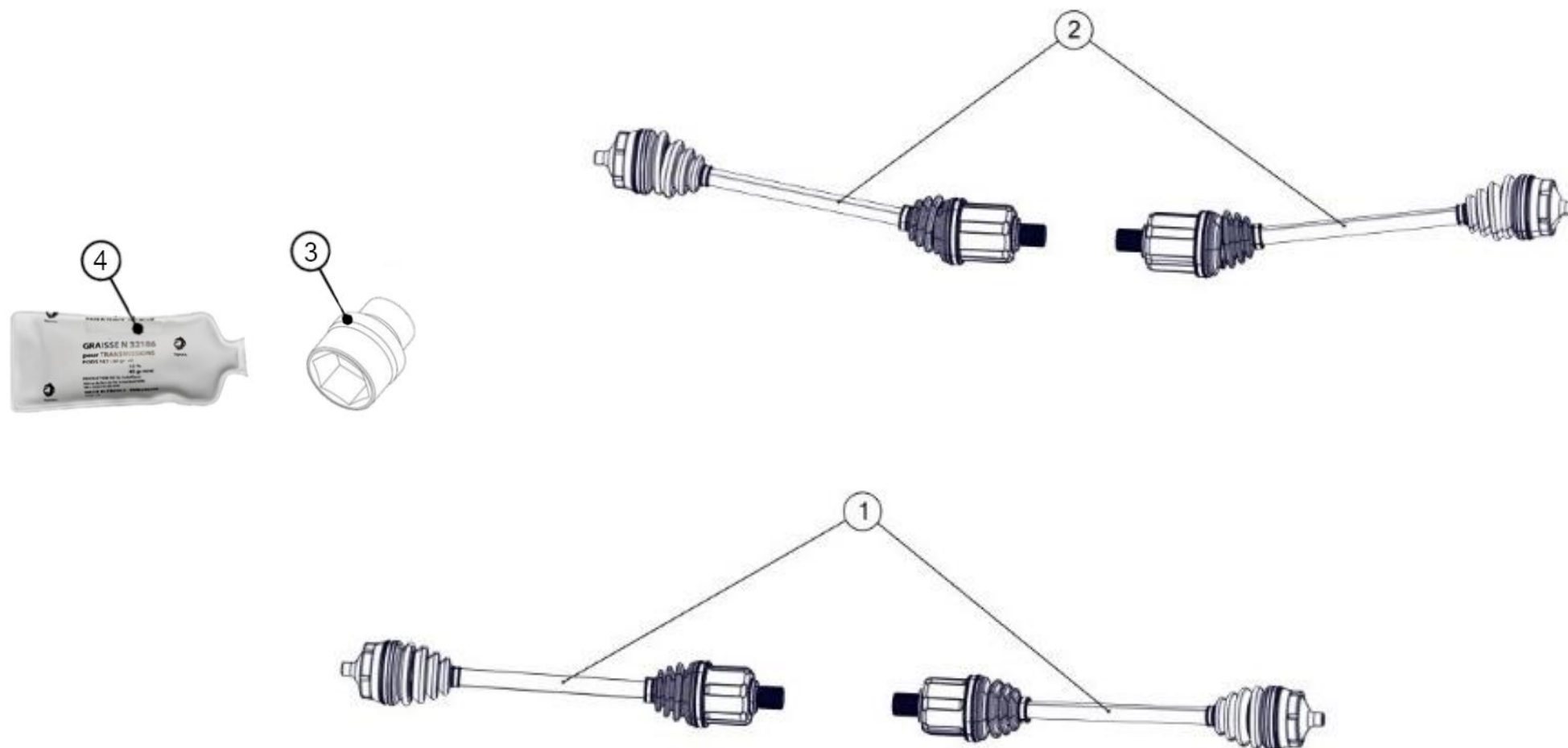
C71

TRANSMISSIONS LATERALES

DRIVESHAFTS

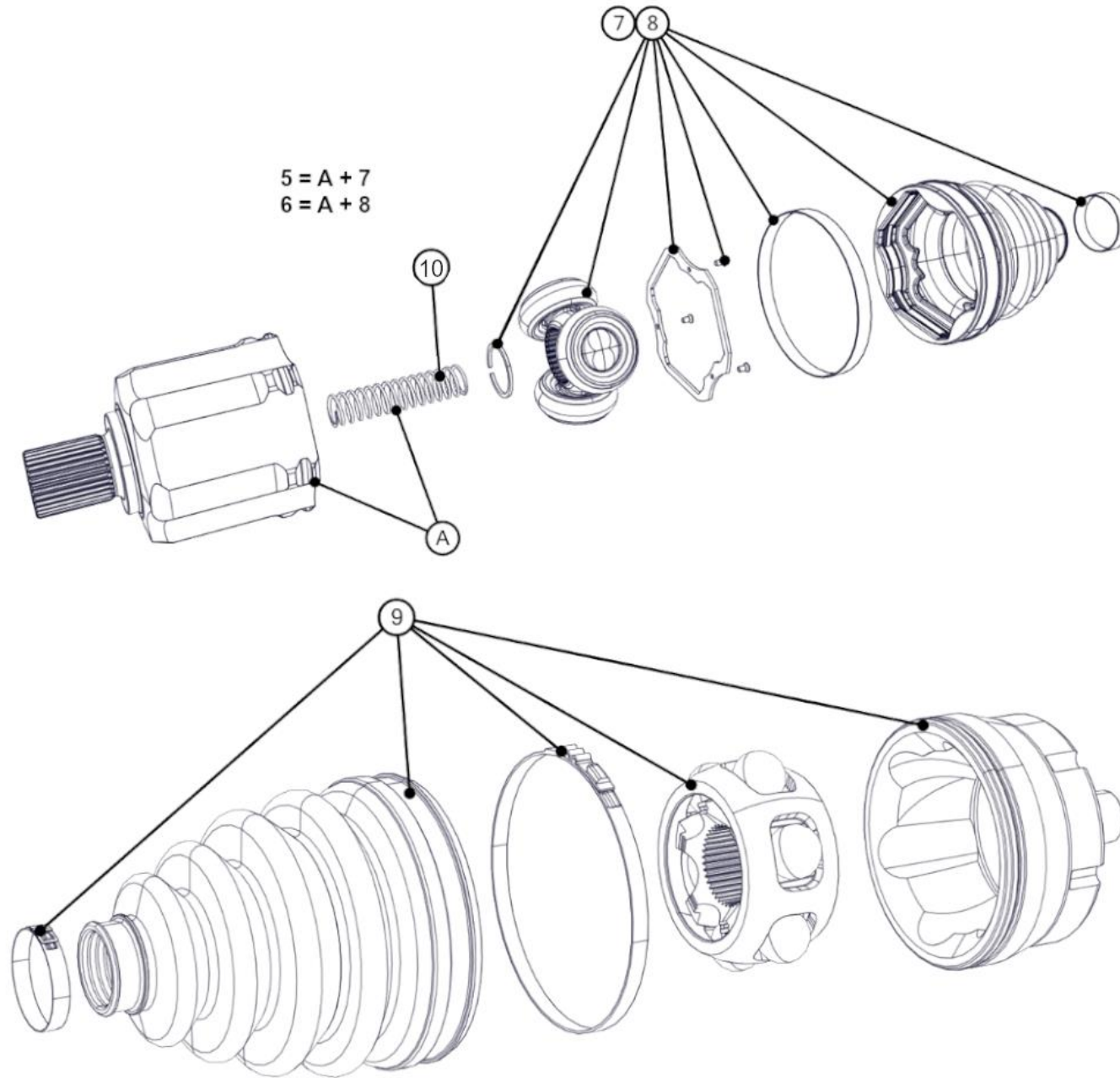






REP	REFERENCE	QTE	DESIGNATION
1	904621728B	2	Transmission latérale Avant Evo <i>Front driveshaft Evo</i>
2	904621708B	2	Transmission latérale Arrière Evo <i>Rear driveshaft Evo</i>
3	904611458A	1	Douille serrage transmission <i>Driveshaft tightening socket</i>
4*	Z0A0030929	8	Graisse transmission N32186 – 50g <i>Driveshaft grease N32186 – 50g</i>

*: Graisse côté roue / Grease wheel side: **160g**
Graisse côté BV / Grease gearbox side: **130g**



REP	REFERENCE	QTE	DESIGNATION
5	904472778B	2	Ensemble joint avant côté BV <i>Front gearbox side complete CV joint</i>
6	904480038C	2	Ensemble joint arrière côté BV <i>Rear gearbox side complete CV joint</i>
7	MSP00299	2	Kit entretien joint avant côté BV <i>Front gearbox side joint rebuild kit</i>
8	MSP00300	2	Kit entretien joint arrière côté BV <i>Rear gearbox side joint rebuild kit</i>
9	904298248B	4	Ensemble joint côté roue <i>Wheel side complete CV joint</i>
10	MSP00037	4	Ressort transmission <i>Driveshaft spring</i>

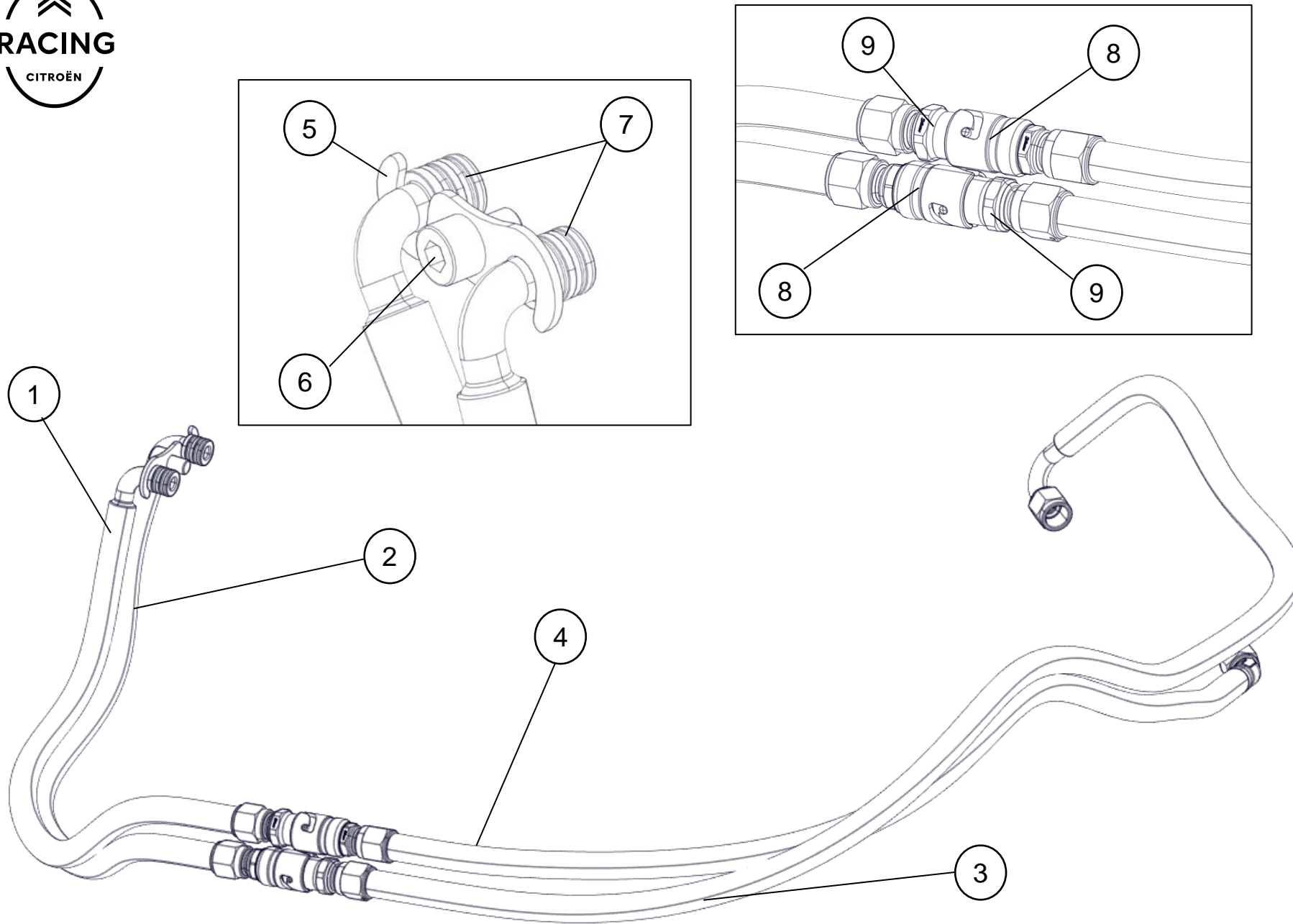
C82

REFROIDISSEMENT DE PONT AR

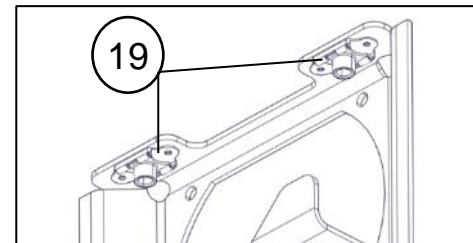
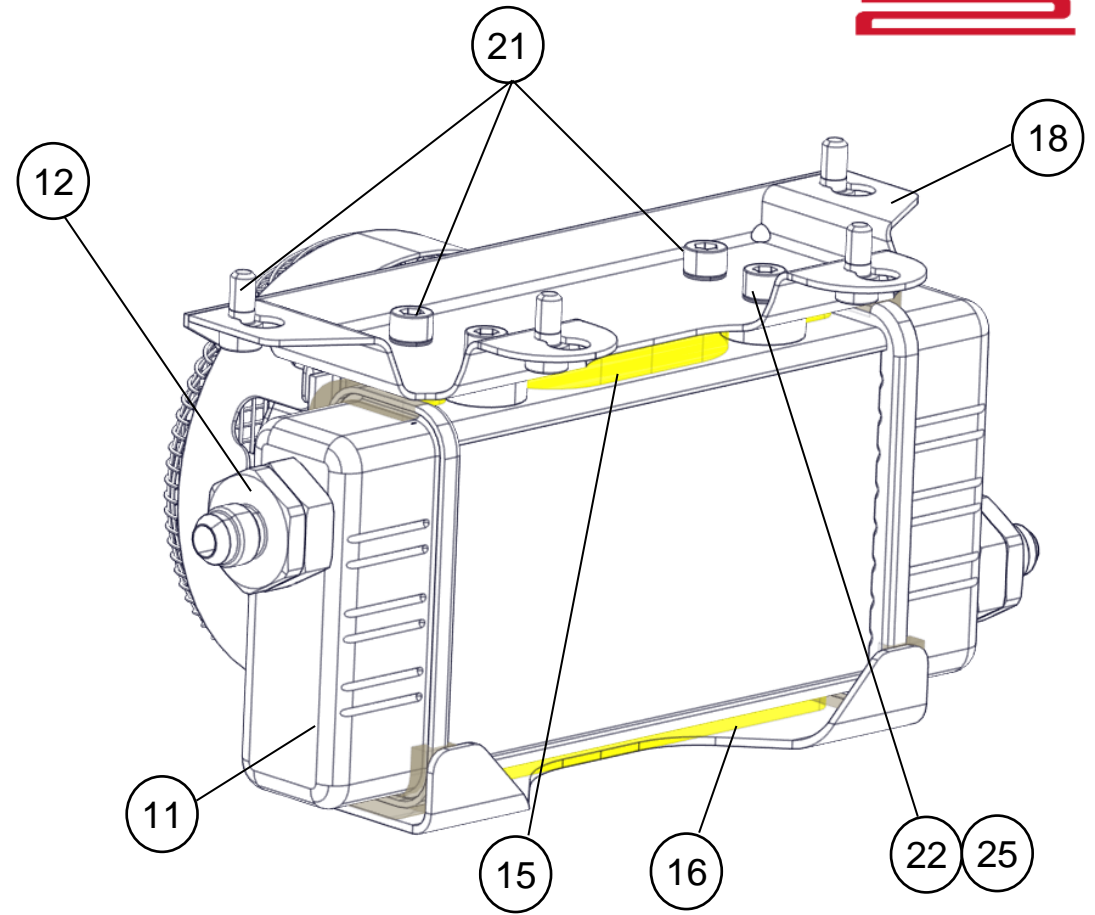
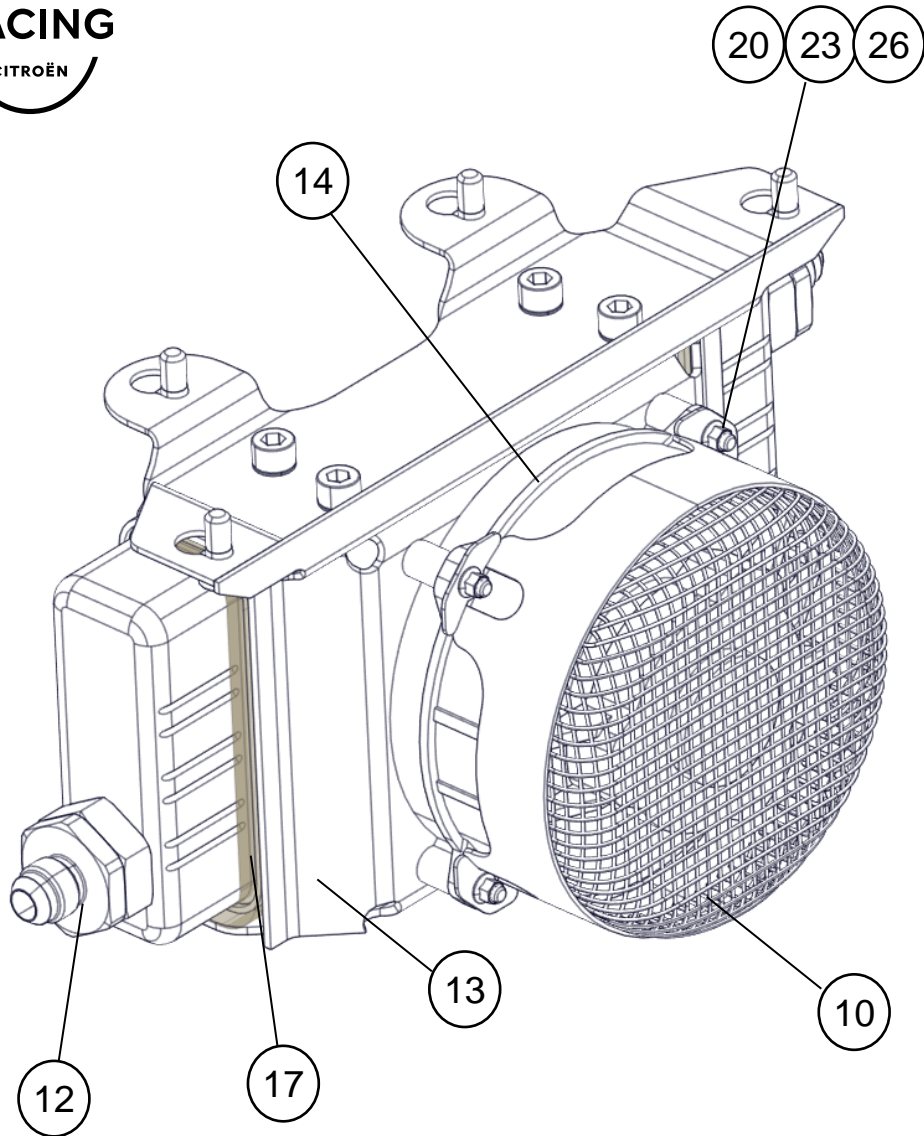
REAR DIFF COOLING







REP	REFERENCE	QTE	DESIGNATION
1	904603708A	1	TUYAU REFROIDISSEMENT PONT 1B <i>Rear diff cooling pipe 1B</i>
2	904603718A	1	TUYAU REFROIDISSEMENT PONT 1A <i>Rear diff cooling pipe 1A</i>
3	904603728A	1	TUYAU REFROIDISSEMENT PONT 2A <i>Rear diff cooling pipe 2A</i>
4	904603738A	1	TUYAU REFROIDISSEMENT PONT 2B <i>Rear diff cooling pipe 2B</i>
5	904483148B	1	FOURCHE REF PONT <i>Cooling pipe flange</i>
6	PS82621A10	1	Vis CHC M8x12 cl12.9 <i>Screw CHC M8x12 cl12.9</i>
7	PS77677A10	4	JOINT TOR A10.82 T1.78 VITON 70SH <i>Oring A10.82 T1.78 70SH</i>
8	PS73356A10	2	ABOUT SPH05 DASH 6 JV ALU <i>Coupling SPH05 DASH 6 JV ALU Female</i>
9	PS73352A10	2	Raccord SPH05 dash6 JV alu <i>Coupling SPH05 dash6 JV alu Male</i>



REP	REFERENCE	QTE	DESIGNATION
10	904605598C	1	GRILLE VENTILATEUR <i>Rear Diff Fan Mesh</i>
11	904485718A	1	RADIA 53-10741-01 <i>Rear diff cooler</i>
12	903516908A	2	Raccord M22 -dash6 <i>Adaptator M22-Dash6</i>
13	904485668A	1	CARTER RADIA <i>Rear diff cooler housing</i>
14	904606438B	1	VENTILATEUR CABLE PONT AR <i>Rear diff fan</i>
15	904485698A	1	MOUSSE ADHESIVE <i>Foam</i>
16	904485708A	1	MOUSSE ADHESIVE <i>Foam</i>
17	1606409780	1	JOINT ENJOLIVEUR <i>Trim seal</i>
18	904485688A	1	TOLE SUPPORT <i>Rear diff bracket</i>
19	PS74673A10	2	Ecrou prisonnier D6 Simmonds flot. Grand <i>Anchor Nut D6</i>
20	PS82075A10	4	VIS CHC M4X070 L30 CL12.9 <i>Screw CHC M4x070 L30 cl12.9</i>
21	PS82119A10	6	VIS-CHC-M6X12 <i>Screw CHC M6x12</i>
22	PS85588A10	2	VIS CHC M6x8 <i>Screw CHC M6x8</i>
23	PS74015A10	4	Ecrou à embase M4 <i>Flange nut M4</i>
24	PS92004A10	4	RIVET CHERRY MAX F 3.2 L1.6 A 3.2 <i>Rivet cherry max F3.2 L1.6 A3.2</i>
25	PS86098A10	4	Rondelle SPS 6x10x0.7 <i>Washer SPS 6x10x0,7</i>
26	PS86536A10	4	RONDELLE ONDULEE 4 TYPE B <i>Ond Washer D4 type B</i>

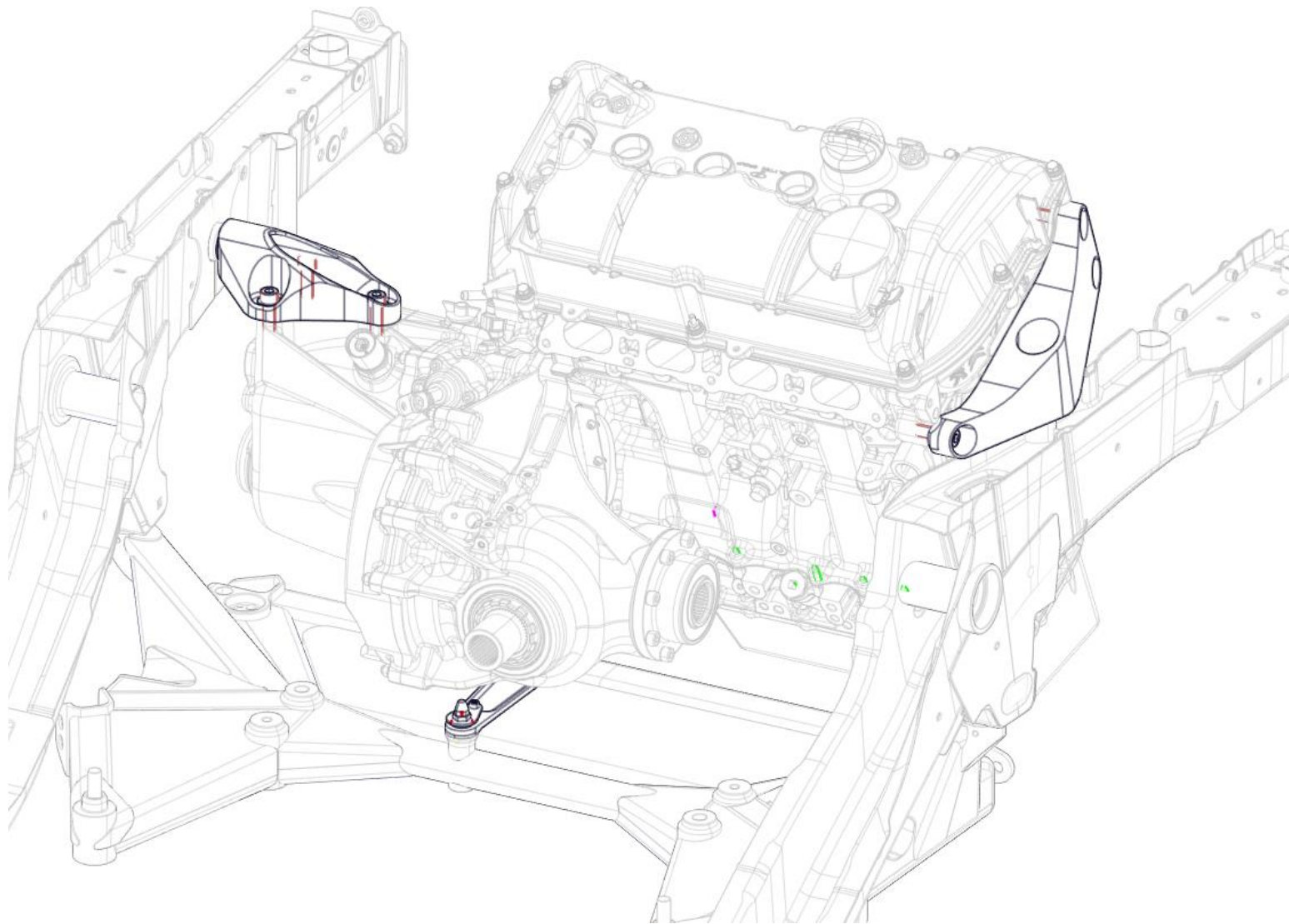


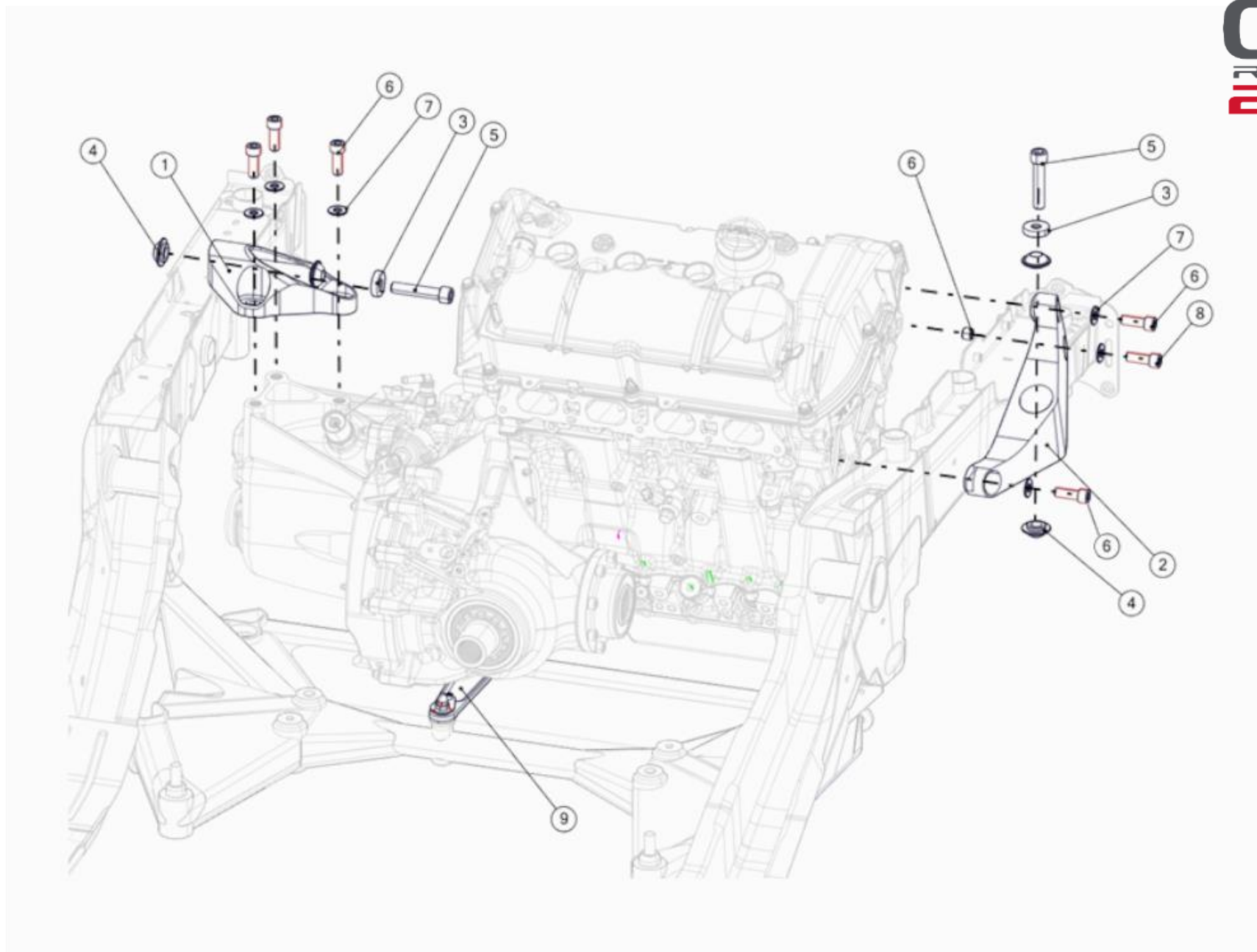
D11

SUPPORTS GMP

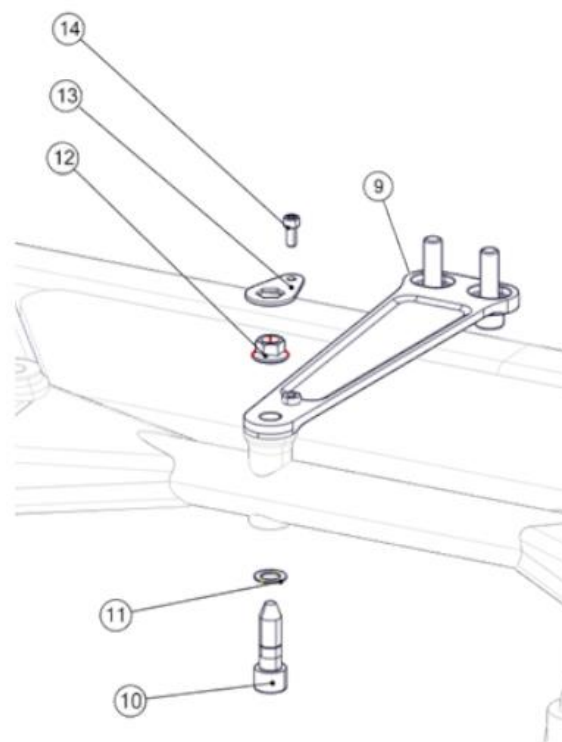
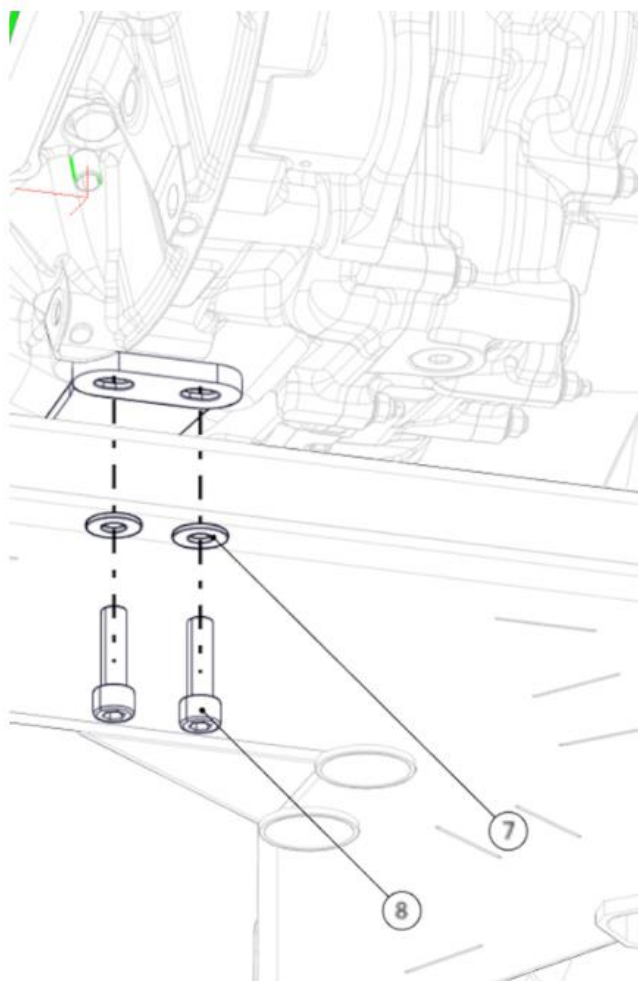
POWER UNIT MOUNTS







REP	REFERENCE	QTE	DESIGNATION
1	904471848A	1	SUPPORT BV <i>GEARBOX MOUNT</i>
2	904678448A	1	SUPPORT MOTEUR Evo <i>ENGINE MOUNT Evo</i>
3	904477778B	2	RONDELLE CONCAVE D12 <i>Concave Washer D12</i>
4	6968-81	1	GOUPILLE ELAST 13X10 <i>pin 13x10</i>
5	PS82154A10	2	VIS CHC M12X175 L60 <i>screw CHC M12x175 L60</i>
6	PS82008A10	5	VIS CHC M10X30 12.9 <i>screw CHC M10x30 12.9</i>
7	6947H6	6	RONDELLE Plate 10X22EP2.5 <i>WASHER 10x22EP2.5</i>
8	PS82039A10	1	VIS CHC M10X35 12.9 <i>screw CHC M10x35 12.9</i>



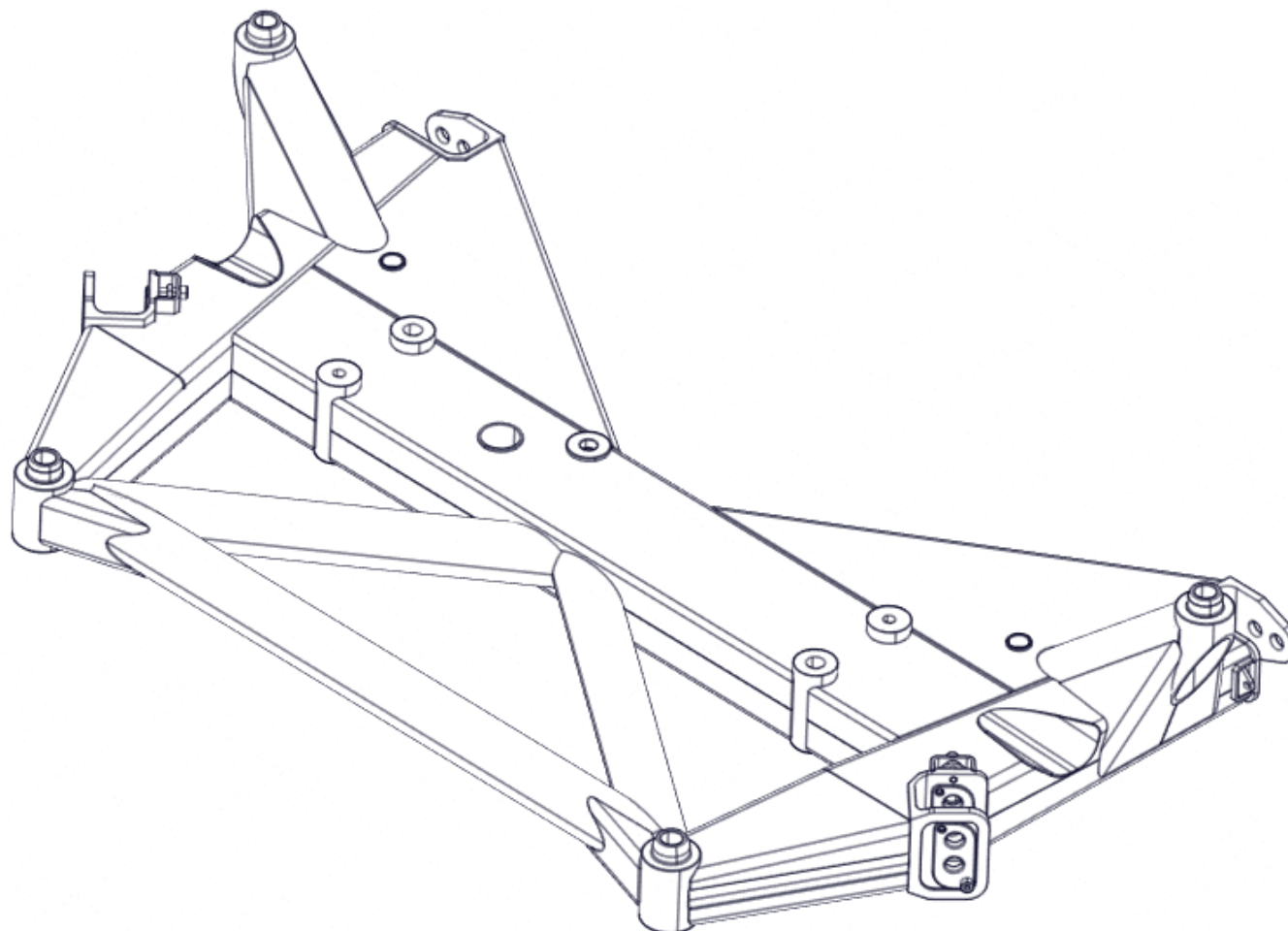


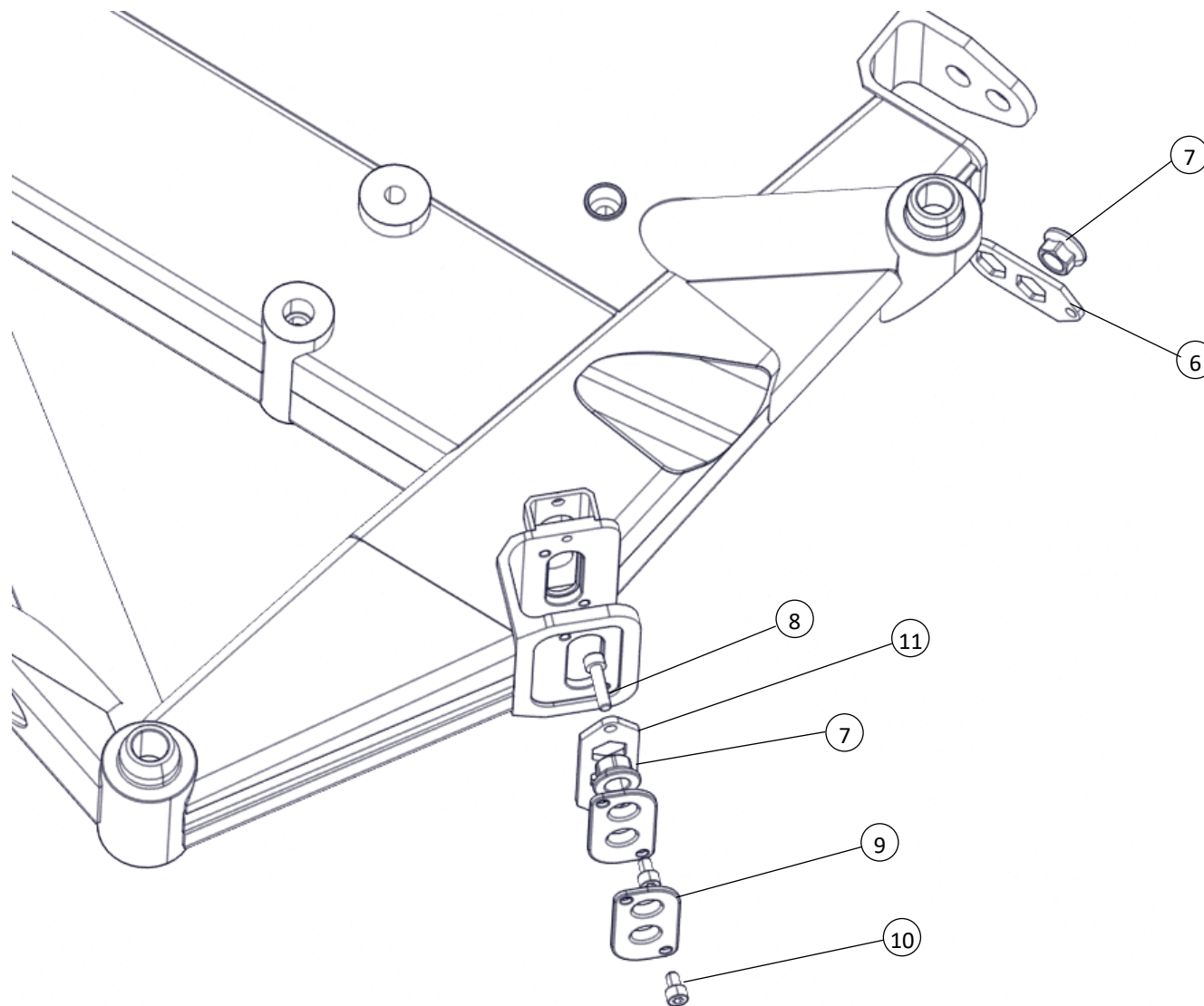
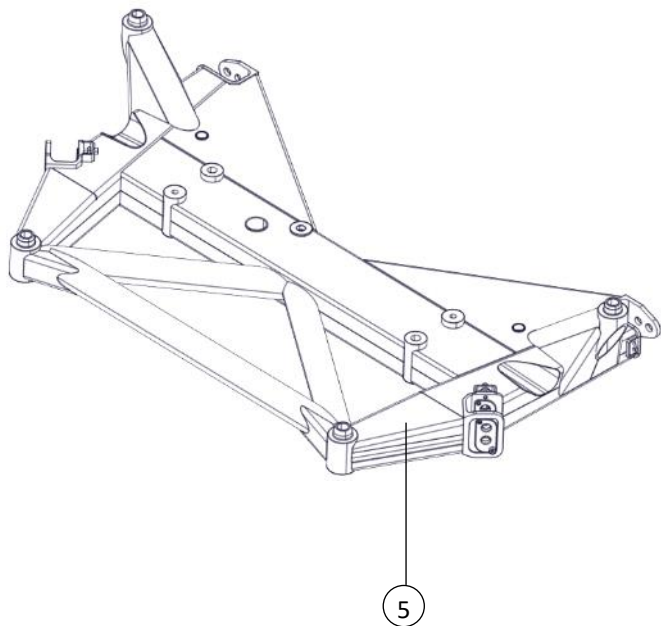
REP	REFERENCE	QTE	DESIGNATION
7	6947H6	6	RONDELLE Plate 10X22EP2.5 <i>WASHER 10x22EP2.5</i>
8	PS82039A10	1	VIS CHC M10X35 12.9 <i>Screw CHC M10x35 12.9</i>
9	904491278C	1	LAME ANTI COUPLE <i>ANTI-TORQUE</i>
10	904491388C	1	VIS ANTI COUPLE <i>ANTI-TORQUE SCREW</i>
11	PS86572A10	1	RONDELLE SPS 12X18X1 <i>WASHER SPS 12X18X1</i>
12	PS74043A10	1	ECROU M12 PH135M <i>NUT M12 PH135M</i>
13	904614578A	1	ANTIROT M12 EMB <i>ANTIROT M12 EMB</i>
14	PS82027A10	1	VIS CHC M5X12 <i>SCREW CHC M5X12</i>



E11
BERCEAU AVANT
FRONT CROSSMEMBER







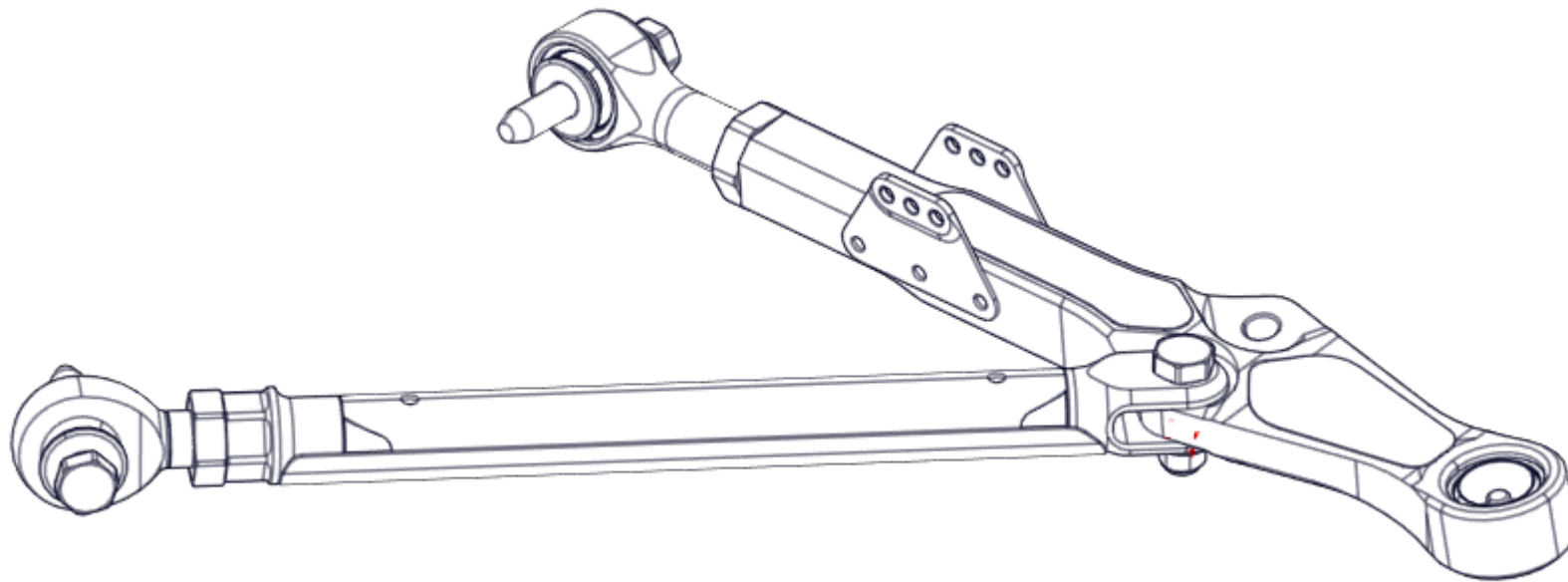
REP	REFERENCE	QTE	DESIGNATION
2*	904483408A	1	MOUSSE BERCEAU AVANT 2018 <i>2018 front subframe foam</i>
3*	CS550040ST	4	VIS CHC M12x175 L45 <i>screw chc M12x175 L45</i>
4*	TR4335005A	4	RONDELLE 27X12X3 <i>washer 27x12x3</i>
5	904700808B	1	Berceau AV EVO <i>Evo Front Subframe</i>
6	904704958B	2	Plaque ecrou chape AV <i>E1 nut retaining plate</i>
7	PS74043A10	4	Ecrou frein H M12x150 <i>H Nut M12x150</i>
8	ST05300141	2	Vis CHC M5x20 <i>Screw CHC M5x20</i>
9	904704938A	4	Excentrique chape AR <i>E2 washer</i>
10	ST05300120	4	Vis CHC M5x8 <i>Screw CHC M5x8</i>
11	904704978B	2	Plaque ecrou chape AR <i>E2 nut retaining plate</i>

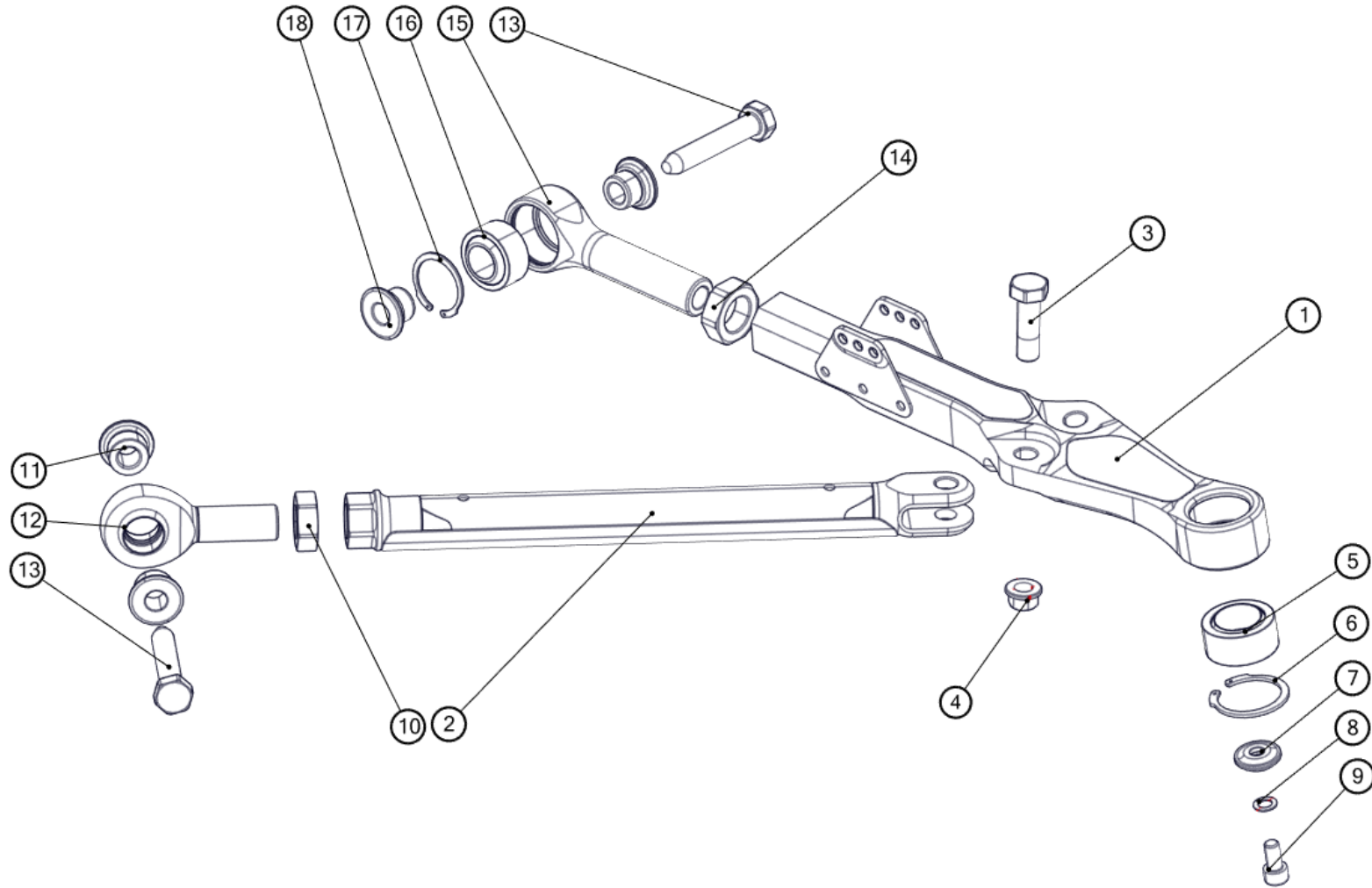
* = non représenté : not illustrated



E12
TRIANGLE AVANT
FRONT WISHBONE







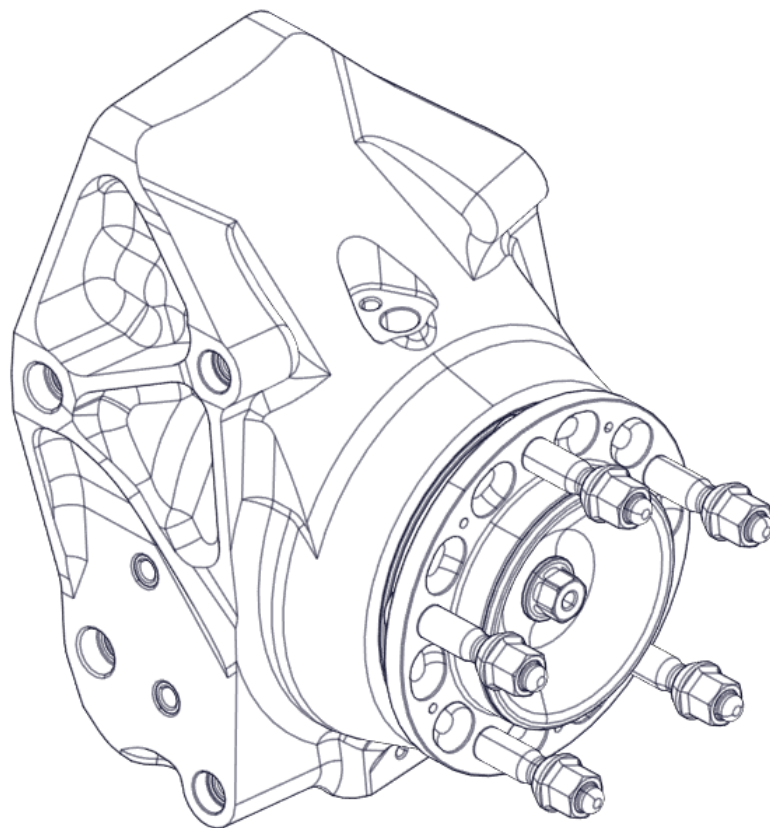
REP	REFERENCE	QTE	DESIGNATION
TRIANGLE AV / Front A-Arm			
1	904474808C	2	TRIANGLE AV <i>Front wishbone</i>
5	904474868B	2	ROTULE PT D <i>point D Ball joint</i>
6	PS72772A10	2	CIRCLIPS JV40 <i>clips JV40</i>
7	904474828C	2	ENTRETOISE PT D <i>Spacer PT D</i>
8	PS86570A10	2	ROND SPS 8X13X0.8 <i>Washer SPS 8x13x0.8</i>
9	PS82130A10	2	VIS CHC M8X125 L16 <i>Vis CHC M8x125 L16</i>
13	904474878C	4	VIS Pt E <i>PT E Screw</i>
14	ST02300006	2	ECROU HM M22X150 <i>Ecrou HM M22x150</i>
15	904474848B	2	LOLIPOP PT E1 AV <i>Rose joint PT E1 front</i>
16	PS88800A10	2	ROTULE PWB 12T <i>Ball joint PWB 12T</i>
17	PS72633A10	2	CIRCLIPS INT JV35 <i>Clips INT JV35</i>
18	904474818B	4	ENTRETOISE PT E1 <i>Front spacer PT E1</i>

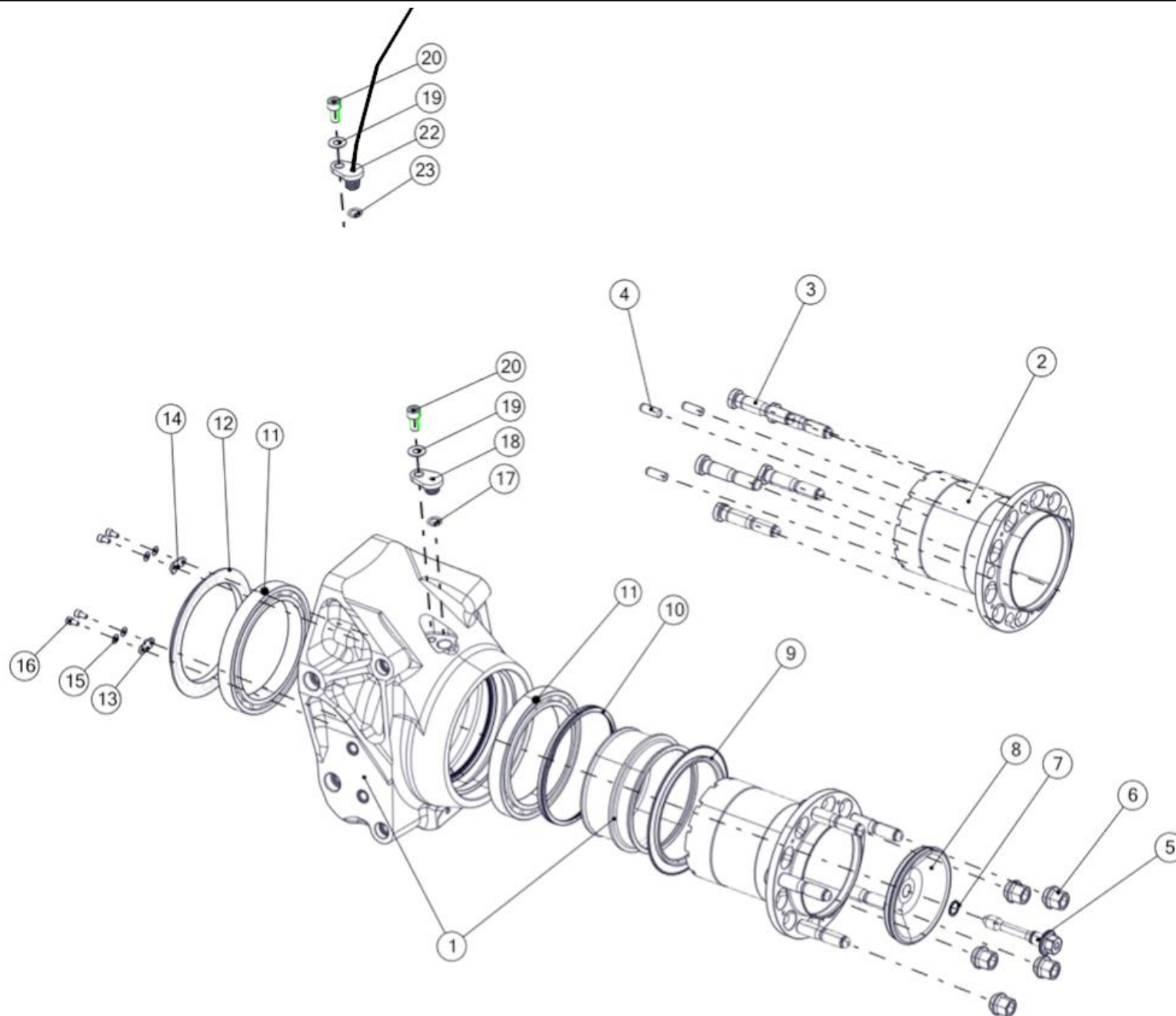
REP	REFERENCE	QTE	DESIGNATION
TIRANT DE CHASSE / Caster Arm			
2	904474778D	2	TIRANT CHASSE AV <i>Caster arm</i>
3	904474888B	2	VIS TIRANT CHASSE <i>Caster arm screw</i>
4	PS74043A10	2	ECROU M12 <i>nut M12</i>
10	ST02300003	2	ECROU 0.75-16-UNF <i>Nut 0.75-16 UNF</i>
11	904474838B	4	ENTRETOISE PT E2 AV <i>Front spacer PT E2</i>
12	904474858A	2	ROTULE PT E2 AV <i>Ball joint PT E2</i>



E13-E24 PIVOT *UPRIGHT*







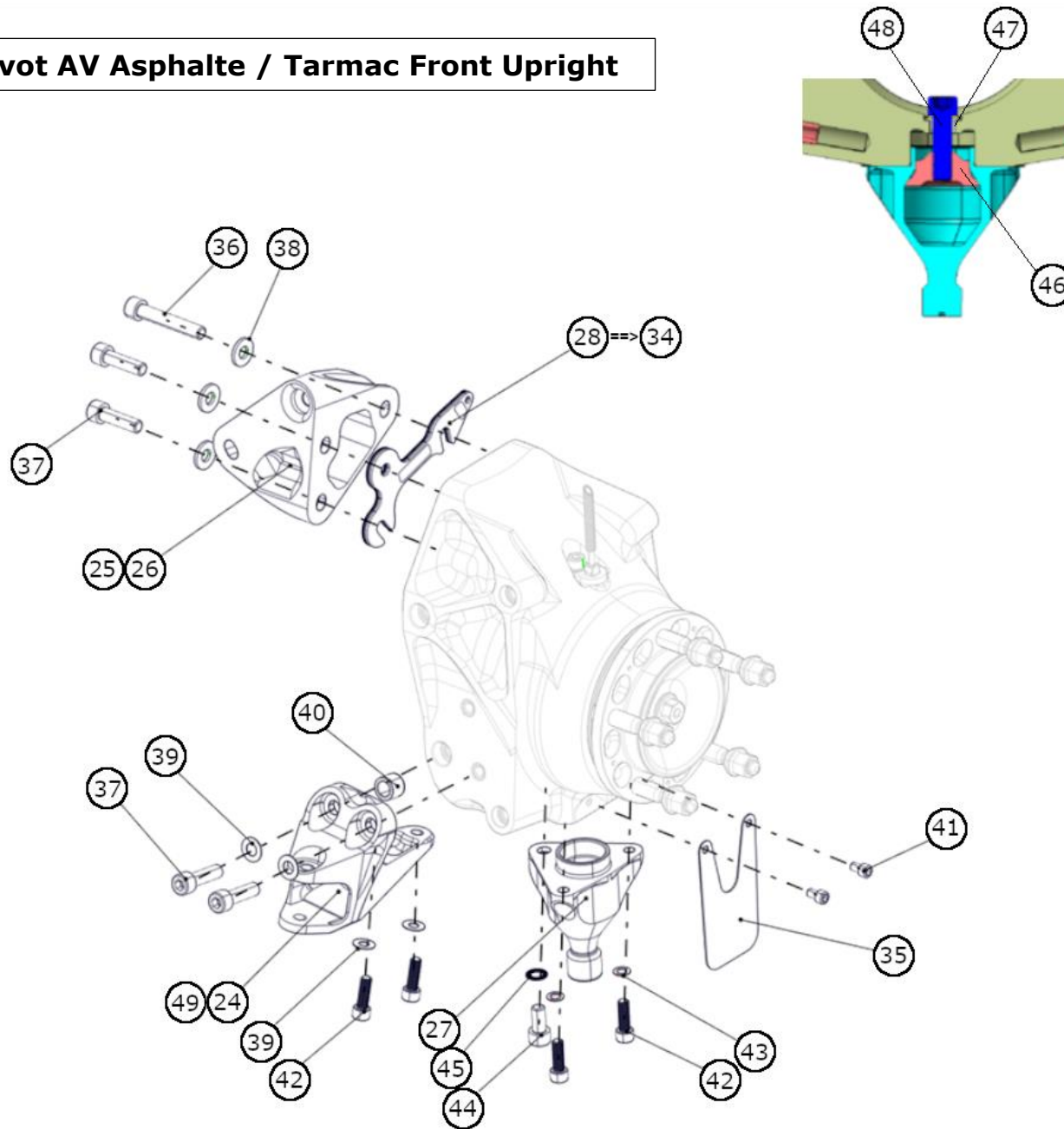
ENS PIVOT / Upright Assy			
REP	REFERENCE	QTE	DESIGNATION
1	904479988B	4	Ens pivot entretoise <i>Upright /Spacer assy</i>
2	904604888A	4	Moyeu roue M100x1 <i>Wheel hub M100x1</i>
3	904475638B	20	Goujon roue <i>Wheel stud</i>
4	1E1318147A	12	Centreur D8 L23 <i>Lockating pin D8 L23</i>
5	904475628C	4	Vis transmission <i>Driveshaft screw</i>
6	1E1318085B	20	Ecrou roue 16 plats <i>Wheel nut 16 flat</i>
7	PS72923A10	4	Circlips ext ind D12 <i>Circlips D12</i>
8	904475618B	4	Flasque transmission <i>Driveshaft flange</i>
9	1E1318064B	4	Cale roulement sur moyeu <i>Bearing shim</i>
10	1E1325924A	4	Roue codeuse <i>Speed target wheel</i>
11	903535338B	8	Roulement D100 E16 <i>Bearing D100 E16</i>
12	1E1318063A	4	Ecrou moyeu M100x1 <i>Hub nut M100x1</i>
13	1E1318086A	4	Arrêteur type 1 <i>Retainer type 1</i>
14	1E1318087A	4	Arrêteur type 2 <i>Retainer type 2</i>
15	PS86002A10	16	Rondelle onduflex D4 <i>Washer ond D4</i>
16	PS82084A10	16	Vis CHC M4 L8 <i>Screw CHC M4 l8</i>

REP	REFERENCE	QTE	DESIGNATION
17	903729718A	4	Tore 10.8X1.78 <i>O-ring 10.8x1.78</i>
18	1E1326679A	4	Bouchon pivot <i>Upright cap</i>
19	PS86510A10	4	Rondelle OND D8 B <i>Washer ond D8 B</i>
20	PS82130A10	4	Vis CHC M8x125 L16 <i>Screw CHC M8x125 L16</i>
21	904476248A	4	Capot pivot (pas représenté) <i>Upright patch (not represented)</i>
22	1E1326775A	4	Capteur vitesse roue <i>Wheel speed sensor</i>
23	PS77154A10	4	Joint torique Ø10 T2 FKM 80sh <i>Oring Ø10 T2 FKM 80sh</i>



REP	REFERENCE	QTE	DESIGNATION
A	1E1324231A-OUT	1	Clé écrou moyeu <i>Hub nut tool</i>
B	1E1324232A-OUT	1	Outillage pivot <i>Upright tool</i>
C	904609938A	1	Outil pose roue codée <i>Speed target wheel mounting tool</i>
D	904619328A	1	Outil montage roulement pivot <i>Hub bearing mounting tool</i>

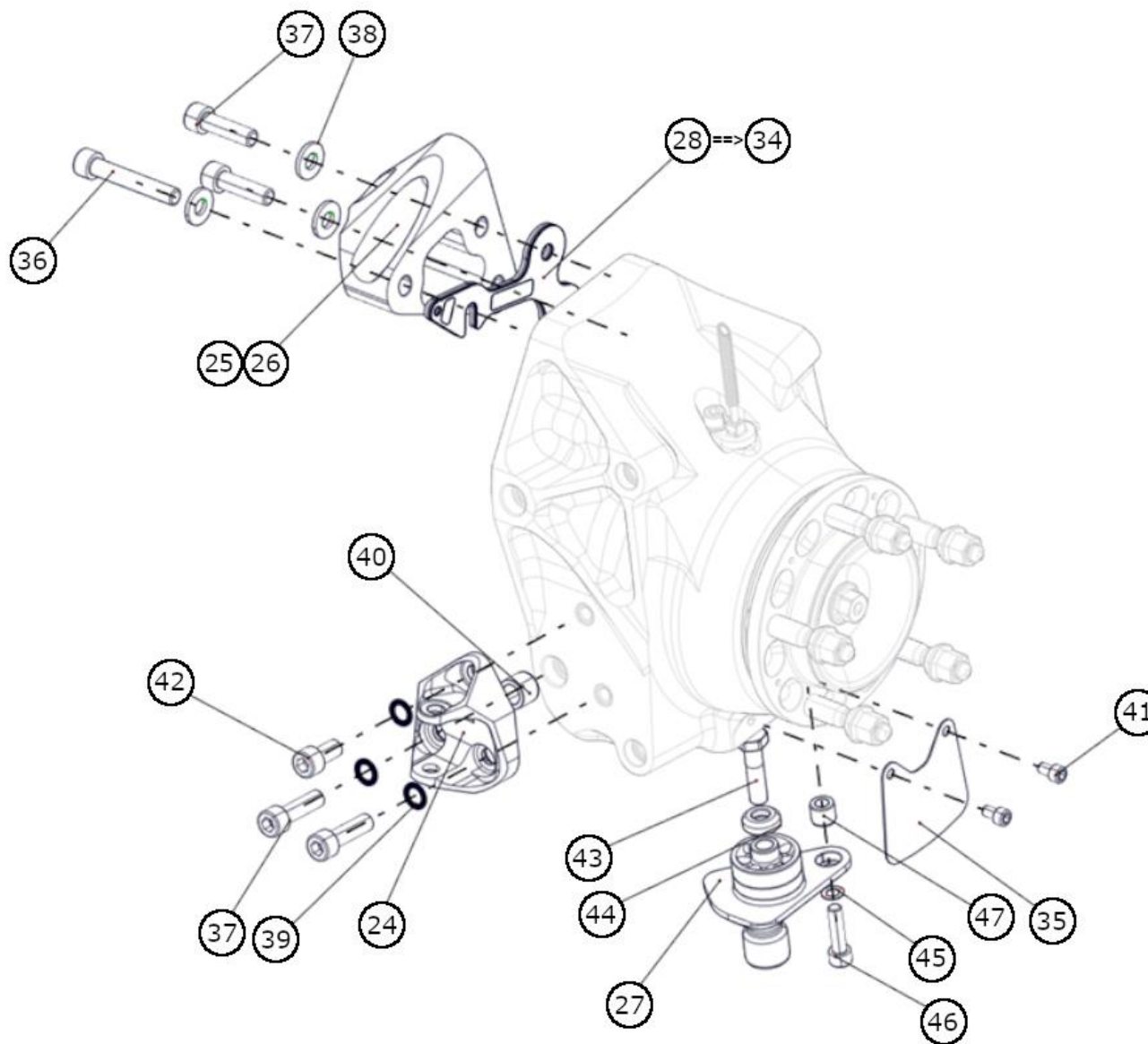
Pivot AV Asphalte / Tarmac Front Upright



PIVOT AV ASPHALTE / Tarmac Front Upright			
REP	REFERENCE	QTE	DESIGNATION
24	904475698C	2	Chape PT M AV Asph <i>Front tarmac Point M bracket</i>
25	904475598C	1	CBB type 1 <i>CBB type 1</i>
		1	
26	904475608C	1	CBB type 2 <i>CBB type 2</i>
		1	
27	904475558C	2	Axe PT D Asph <i>Point D tarmac bracket</i>
28	904479428A	2	Cale CARRO EP 0.5 <i>Camber shim 0.5mm</i>
29	904479438A	2	Cale CARRO EP 0.8 <i>Camber shim 0.8mm</i>
30	904479448A	2	Cale CARRO EP 1 <i>Camber shim 1mm</i>
31	904479458A	2	Cale CARRO EP 1.2 <i>Camber shim 1.2mm</i>
32	904479468A	2	Cale CARRO EP 2 <i>Camber shim 2mm</i>
33	904479478A	2	Cale CARRO EP 3 <i>Camber shim 3mm</i>
34	904479488A	2	Cale CARRO EP 5 <i>Camber shim 5mm</i>
35	904475658A	2	Protection PT D Asph <i>Point D Tarmac protection</i>
36	PS82146A10	2	Vis CHC M10 150 L60 <i>Screw CHC M10 150 L60</i>
		4	
37	PS82003A10	4	Vis CHC M10x150 L35 <i>Screw CHC M10x150 L35</i>
38	6947H6	6	Rondelle D22 E2.5 <i>Washer D22 E2.5</i>
39	PS86538A10	4	Rondelle OND D10 B <i>Washer OND D10 B</i>

REP	REFERENCE	QTE	DESIGNATION
40	904475708A	2	Centreur PT M AV <i>Front point M centering pin</i>
41	PS82045A10	4	Vis CHC M6x10 <i>Screw CHC M6x10</i>
		4	
42	PS82091A10	4	Vis CHC M8 L25 <i>Screw CHC M8 L25</i>
		4	
43	PS86570A10	4	ROND SPS 8x13x0.8 <i>Washer SPS 8x13x0.8</i>
		2	
44	PS82013A10	2	Vis CHC M10x150 L20 <i>Screw CHC M10x150 L20</i>
45	PS86571A10	2	RONDELLE SPS D10 <i>Washer SPS D10</i>
46	904622388B	2	Renfort chape point D <i>TCA Bracket insert</i>
47	904622398A	2	Rondelle épaulée renfort <i>TCA bracket Washer</i>
48	PS82175A10	2	Vis CHC M12x150x40 <i>CHC screw M12x150x40</i>
49	904920518B	2	Chape PT M AV Asph EVO <i>Front tarmac Point M bracket EVO</i>
50	904921388B	2	Entretoise crémaillère Asph EVO <i>EVO steering rack spacer</i>
51	1E1324231A-OUT	1	Clé écrou moyeu <i>Hub nut tool</i>
52	1E1324232A-OUT	1	Outillage pivot <i>Upright tool</i>
53	904609938A	1	Outil pose roue codée <i>Speed target wheel mounting tool</i>
54	904619328A	1	Outil montage roulement pivot <i>Hub bearing mounting tool</i>

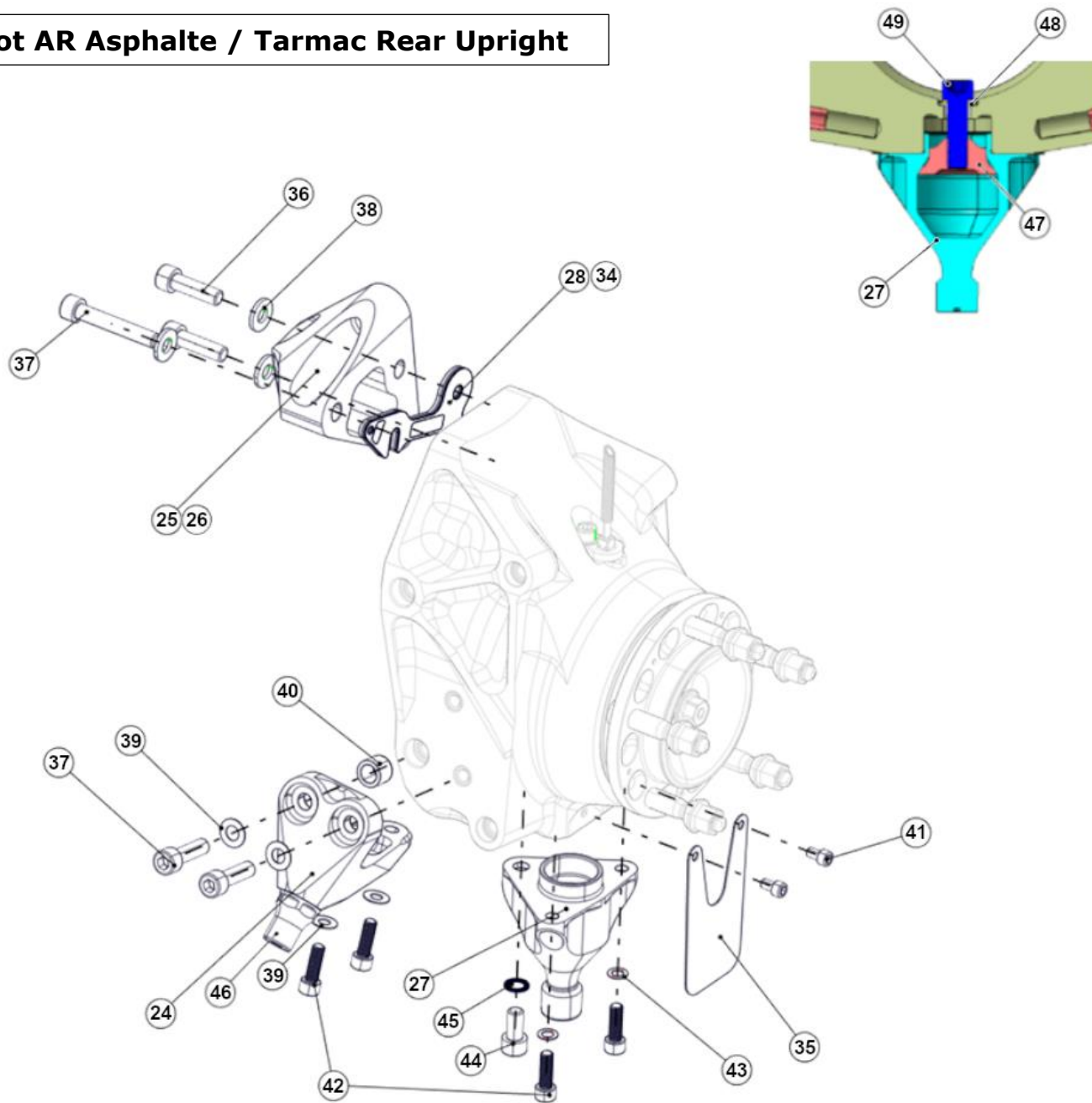
Pivot AV Terre / Gravel Front Upright



PIVOT AVANT TERRE / Gravel Front Upright			
REP	REFERENCE	QTE	DESIGNATION
24	904475688B	2	Chape PT M AVT <i>Front gravel Point M bracket</i>
25	904475598C	1 1	CBB type 1 <i>CBB type 1</i>
26	904475608C	1 1	CBB type 2 <i>CBB type 2</i>
27	904475548D	2	Axe PT D AVT <i>Front gravel Point D bracket</i>
28	904479428A	2	Cale CARRO EP 0.5 <i>Camber shim 0.5mm</i>
29	904479438A	2	Cale CARRO EP 0.8 <i>Camber shim 0.8mm</i>
30	904479448A	2	Cale CARRO EP 1 <i>Camber shim 1mm</i>
31	904479458A	2	Cale CARRO EP 1.2 <i>Camber shim 1.2mm</i>
32	904479468A	2	Cale CARRO EP 2 <i>Camber shim 2mm</i>
33	904479478A	2	Cale CARRO EP 3 <i>Camber shim 3mm</i>
34	904479488A	2	Cale CARRO EP 5 <i>Camber shim 5mm</i>
35	904475668A	2	Protection PT D terre <i>Point D gravel protection</i>

REP	REFERENCE	QTE	DESIGNATION
36	PS82146A10	2	Vis CHC M10 150 L60 <i>Screw CHC M10 150 L60</i>
37	PS82003A10	4	Vis CHC M10x150 L35 <i>Screw CHC M10x150 L35</i>
38	6947H6	6	Rondelle D22 E2.5 <i>Washer D22 E2.5</i>
39	PS86571A10	6	Rondelle SPS D10 <i>Washer SPS D10</i>
40	904475708A	2	Centreur PT M AV <i>Front point M centering pin</i>
41	PS82045A10	4	Vis CHC M6x10 <i>Screw CHC M6x10</i>
42	PS82013A10	2	Vis CHC M10x150 L20 <i>Screw CHC M10x150 L20</i>
43	904625448C	2	Vis H EMB M10x150 L40 <i>Screw H Emb M10x150 L40</i>
44	904602128B	2	Rondelle point D Terre <i>Washer point D Terre</i>
45	PS86570A10	2	ROND SPS 8x13x0.8 <i>Washer SPS 8x13x0.8</i>
46	PS82079A10	2	Vis CHC M8X30 <i>Screw CHC M8x30</i>
47	904475568A	2	Centreur pivot M8 <i>Front point D centering pin M8</i>

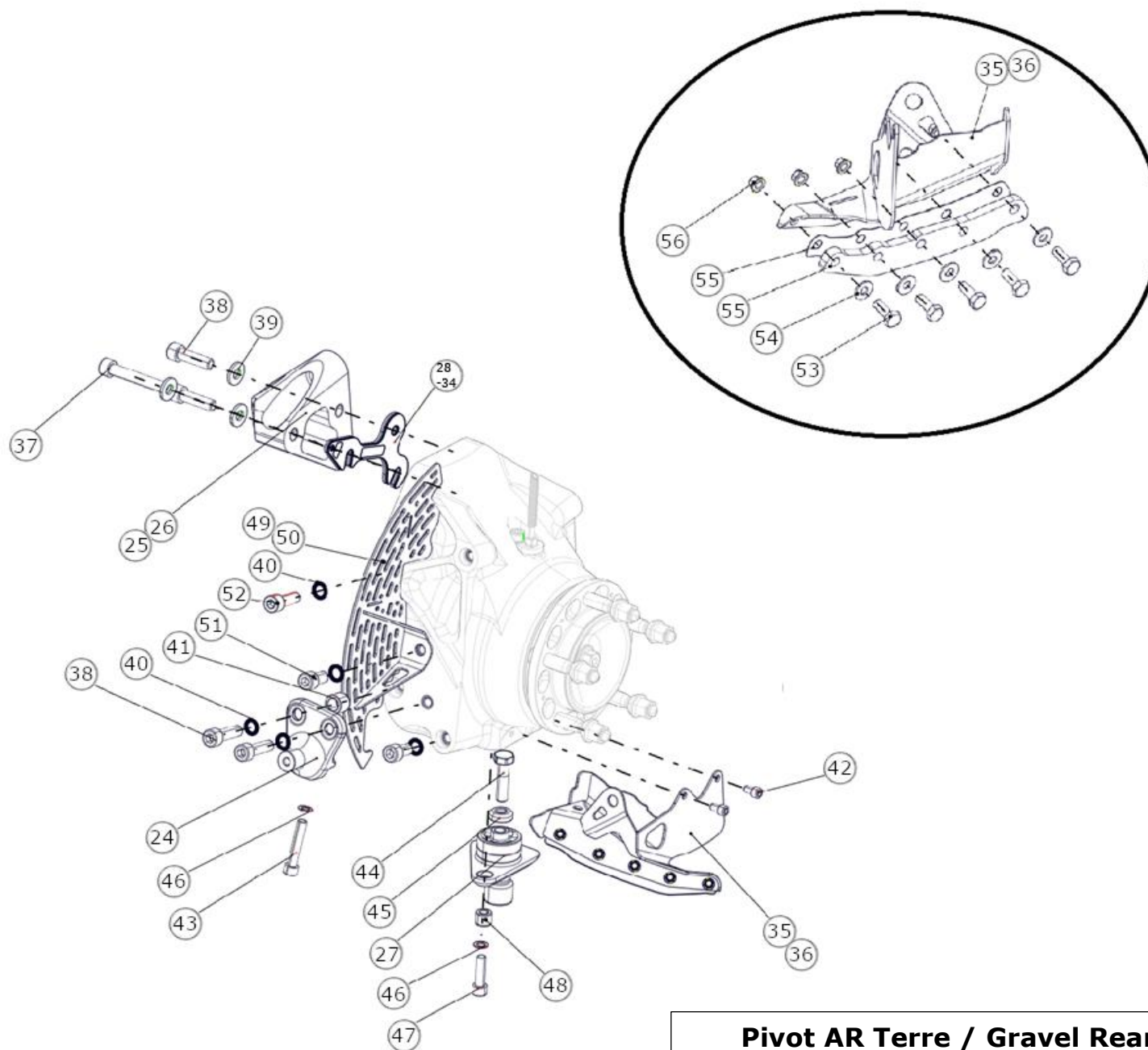
Pivot AR Asphalt / Tarmac Rear Upright



PIVOT AR ASPHALTE / Tarmac Rear Upright			
REP	REFERENCE	QTE	DESIGNATION
24	904694178A	2	Support Pt M AR Asph Evo <i>Rear Tarmac pt M bracket Evo</i>
25*	904475598C	1 1	CBB type 1 <i>CBB type 1</i>
26*	904475608C	1 1	CBB type 2 <i>CBB type 2</i>
27	904475558C	2	Axe PT D Asphalté <i>Point D tarmac bracket</i>
28	904479428A	2	Cale CARRO EP 0.5 <i>Camber shim 0.5mm</i>
29	904479438A	2	Cale CARRO EP 0.8 <i>Camber shim 0.8mm</i>
30	904479448A	2	Cale CARRO EP 1 <i>wedge camber 1mm</i>
31	904479458A	2	Cale CARRO EP 1.2 <i>Camber shim 1.2mm</i>
32	904479468A	2	Cale CARRO EP 2 <i>Camber shim 2mm</i>
33	904479478A	2	Cale CARRO EP 3 <i>Camber shim 3mm</i>
34	904479488A	2	Cale CARRO EP 5 <i>Camber shim 5mm</i>
35	904475658A	2	Protection PT D A <i>Point D tarmac protection</i>
36	PS82146A10	2	Vis CHC M10 150 L60 <i>Screw CHC M10 150 L60</i>
37	PS82003A10	8	Vis CHC M10x150 L35 <i>Screw CHC M10x150 L35</i>

REP	REFERENCE	QTE	DESIGNATION
38	6947H6	6	Rondelle D22 E2.5 <i>Washer D22 E2.5</i>
39	PS86538A10	2	Rondelle OND D10 B <i>Washer OND D10 B</i>
40	904475708A	2	Centreur PT M AV <i>Front point M centering pin</i>
41	PS82045A10	4	Vis CHC M6x10 <i>Screw CHC M6x10</i>
42	PS82091A10	8	Vis CHC M8 L25 <i>Screw CHC M8 L25</i>
43	PS86570A10	4	ROND SPS 8x13x0.8 <i>Washer SPS 8x13x0.8</i>
44	PS82013A10	2	Vis CHC M10x150 L20 <i>Screw CHC M10x150 L20</i>
45	PS86571A10	2	RONDELLE SPS D10 <i>Washer SPS D10</i>
46	904694168A	2	AXE PT M AR ASPH Evo <i>Rear tarmac pt M spindle Evo</i>
47	904622388B	2	Renfort chape point D <i>TCA Bracket insert</i>
48	904622398A	2	Rondelle épaulée renfort <i>TCA bracket Washer</i>
49	PS82175A10	2	Vis CHC M12x150x40 <i>CHC screw M12x150x40</i>

***: For tarmac: CBB type1 for the left side and type 2 for the right side**



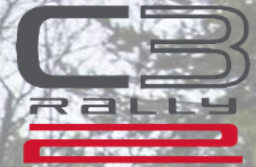
Pivot AR Terre / Gravel Rear Upright

PIVOT ARRIERE TERRE / Gravel Rear Upright			
REP	REFERENCE	QTE	DESIGNATION
24	904484018B	2	Chape PT M ART <i>Rear gravel Point M bracket</i>
25*	904475598C	1	CBB type 1 <i>CBB type 1</i>
26*	904475608C	1	CBB type 2 <i>CBB type 2</i>
27	904475548D	2	Axe PT D T <i>Point D gravel bracket</i>
28	904479428A	2	Cale CARRO EP 0.5 <i>Camber shim 0.5mm</i>
29	904479438A	2	Cale CARRO EP 0.8 <i>Camber shim 0.8mm</i>
30	904479448A	2	Cale CARRO EP 1 <i>Camber shim 1mm</i>
31	904479458A	2	Cale CARRO EP 1.2 <i>Camber shim 1.2mm</i>
32	904479468A	2	Cale CARRO EP 2 <i>Camber shim 2mm</i>
33	904479478A	2	Cale CARRO EP 3 <i>Camber shim 3mm</i>
34	904479488A	2	Cale CARRO EP 5 <i>Camber shim 5mm</i>
35	904904388B	1	Support racleur D <i>Right scraper bracket</i>
36	904904378B	1	Support racleur G <i>Left scraper bracket</i>
37	PS82146A10	2	Vis CHC M10 150 L60 <i>Screw CHC M10 150 L60</i>
38	PS82003A10	4	Vis CHC M10x150 L35 <i>Screw CHC M10x150 L35</i>
39	6947H6	6	Rondelle D22 E2.5 <i>Washer D22 E2.5</i>
40	PS82003A10	4	Vis CHC M10x150 L35 <i>Screw CHC M10x150 L35</i>
41	904475708A	2	Centreur PT M AV <i>Point M centering pin</i>
42	PS82045A10	4	Vis CHC M6x10 <i>Screw CHC M6x10</i>

REP	REFERENCE	QTE	DESIGNATION
43	PS82132A10	2	Vis CHC M8x45 <i>Screw CHC M8x45</i>
44	904625448C	2	Vis H EMB M10x150 L40 <i>Screw H Emb M10x150 L40</i>
45	904602128B	2	Rondelle PT D T <i>Washer PT D T</i>
46	PS86570A10	4	ROND SPS 8x13x0.8 <i>Washer SPS 8x13x0.8</i>
47	PS82079A10	2	Vis CHC M8 L30 <i>Screw CHC M8 L30</i>
48	904475568A	2	Centreur pivot M8 <i>Centering pin M8</i>
49	904487508B	1	Pare pierre D <i>Right stone protector</i>
50	904487518B	1	Pare pierre G <i>Left stone protector</i>
51	PS82013A10	4	Vis CHC M10 150 L20 <i>Screw CHC M10 150 L20</i>
52	PS82008A10	2	Vis CHC M10x30 <i>Screw CHC M10x30</i>
53	PS84525A10	10	Vis H M6x16 <i>Screw H M6X16</i>
54	PS86011A10	10	Rond 6 D14 E1 <i>Washer 6 D14 E1</i>
55	904475808B	2	Racleur jante <i>rim scraper</i>
56	PS74001A10	10	Ecrou M6 PH135M <i>Nut M6 PH135M</i>
57	1E1324231A-OUT	1	Clé ecrou moyeu <i>Hub nut tool</i>
58	1E1324232A-OUT	1	Outillage pivot <i>Upright tool</i>
59	904609938A	1	Outil pose roue codée <i>Speed target wheel mounting tool</i>
60	904619328A	1	Outil montage roulement pivot <i>Hub bearing mounting tool</i>

904904378B & 904904388B obligatoires avec les disques terre EVO
904904378B & 904904388B are mandatory with EVO gravel discs

*: For gravel: CBB type2 for the left side and type 1 for the right side.

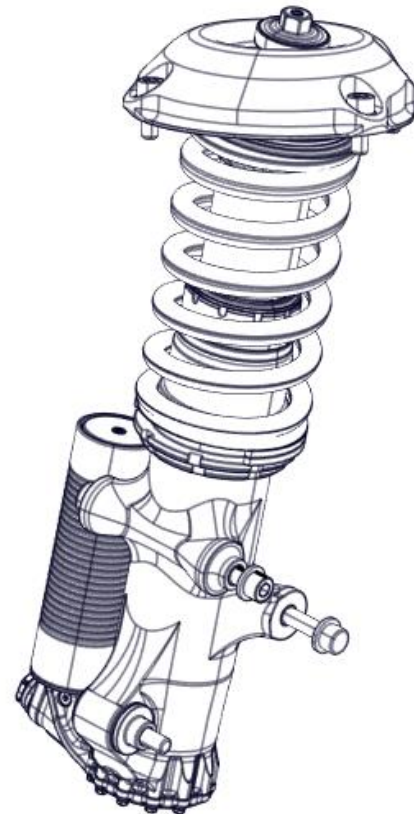


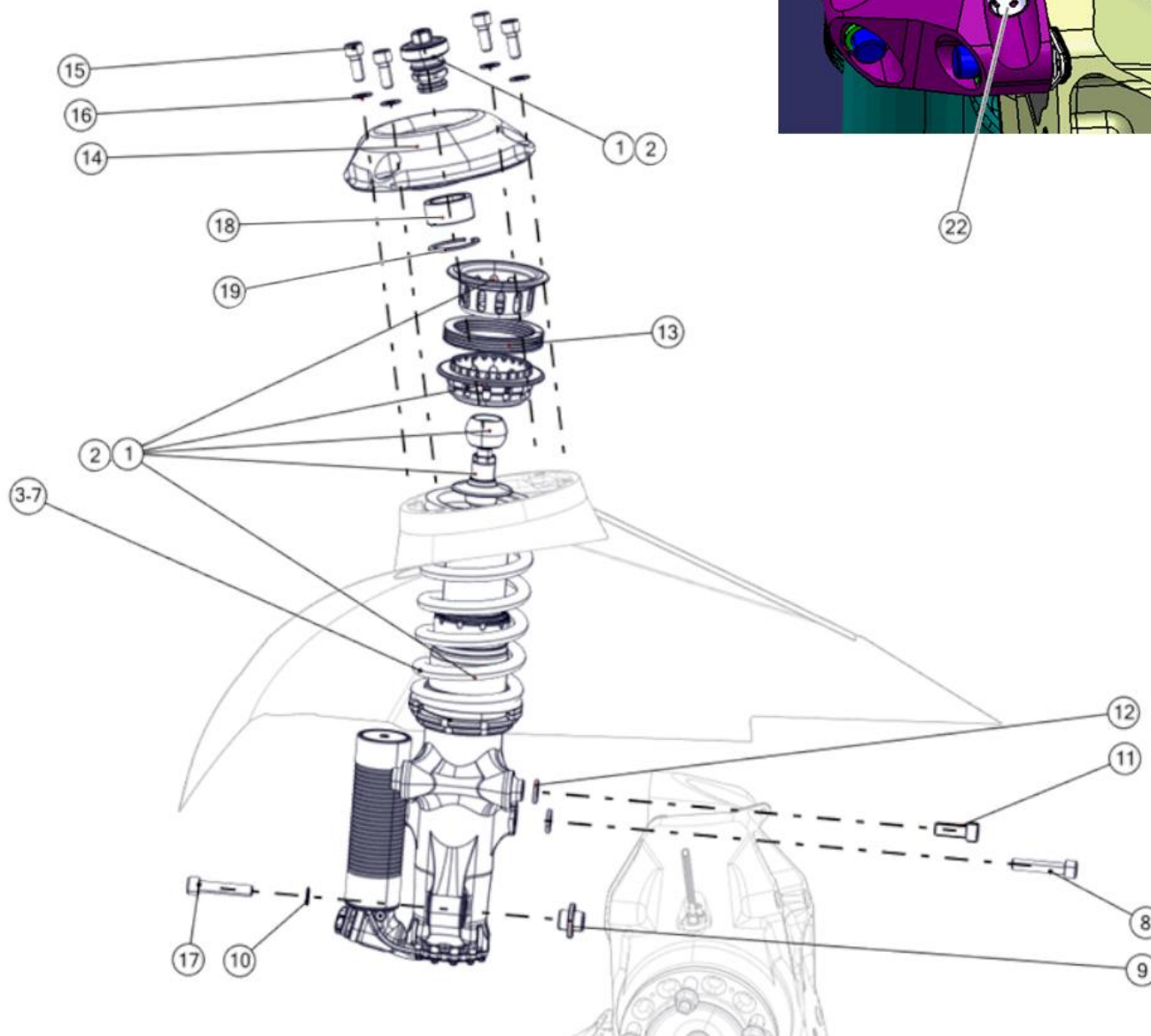
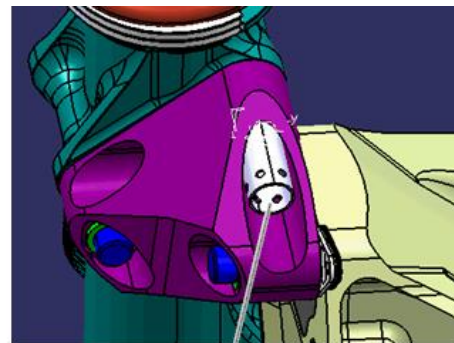
E14_1

SUSPENSION AV ASPHALTE

TARMAC FRONT SUSPENSION







REP	REFERENCE	QTE	DESIGNATION
1	904629028D	1	Amortisseur AVG asphalte T61F <i>Front left tarmac damper T61F</i>
2	904629018D	1	Amortisseur AVD asphalte T61F <i>Front right tarmac damper T61F</i>
3	904481128B	2	Ressort AVA 191-60 <i>front tarmac spring 191-60</i>
4	904481138B	2	Ressort AVA 191-55 <i>front tarmac spring 191-55</i>
5	904481148B	2	Ressort AVA 191-50 <i>front tarmac spring 191-50</i>
6	904672718A	2	Ressort AVA 191-45 <i>front tarmac spring 191-45</i>
7	904672708A	2	Ressort AVA 191-40 <i>front tarmac spring 191-40</i>
8	PS82060A10	2	Vis CHC M10-50 <i>Screw M10-50</i>
9	904475678A	2	Centreur JDF <i>Strut centering pin</i>
10	PS86571A10	2	Rondelle SPS D10 <i>Washer SPS D10</i>
11	PS82008A10	2	Vis CHC M10x30 <i>Screw CHC M10x30</i>
12	6947H6	4	Rond plate D22e2.5 <i>Washer D22e2</i>

REP	REFERENCE	QTE	DESIGNATION
13	1E1463020A	2	Ressort compensateur <i>Helper spring</i>
14	904482638B	2	Platine PT C AV <i>Point C bracket</i>
15	PS82094A10	8	Vis CHC M10x25 <i>Screw CHC M10x25</i>
16	PS86538A10	8	Rondelle OND D10 B <i>Washer OND D10 B</i>
17	PS82146A10	2	Vis CHC M10-150 L60 <i>Screw M10-150 L60</i>
18	904610578A	2	Rotule point C <i>Point C bracket ball joint</i>
19	PS72930A10	2	Circlips Int D45 <i>Int circlips D45</i>
20*	CS360002ST	2	Joint torique 26,5x2,5 <i>Oring 26,5x2,5</i>
21*	904638358A	2	Cale RCV 3mm <i>RCV blocker 3mm</i>
22	904666058C	2	SUPPORT TUYAU DE FREIN <i>Brake pipe bracket</i>
23*	CLE.AM-OUT	1	Clé à ergot Reiger <i>Reiger cup setting tool</i>
24	904990148A	2	Ressort AVA 191-65 <i>front tarmac spring 191-65</i>

* : non représenté / not represented

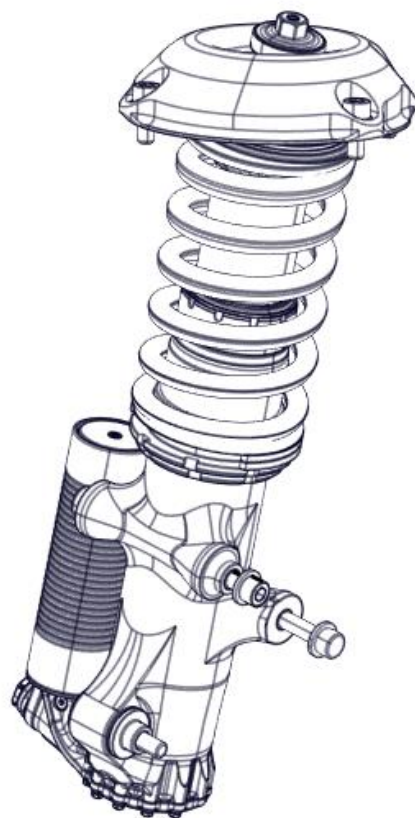


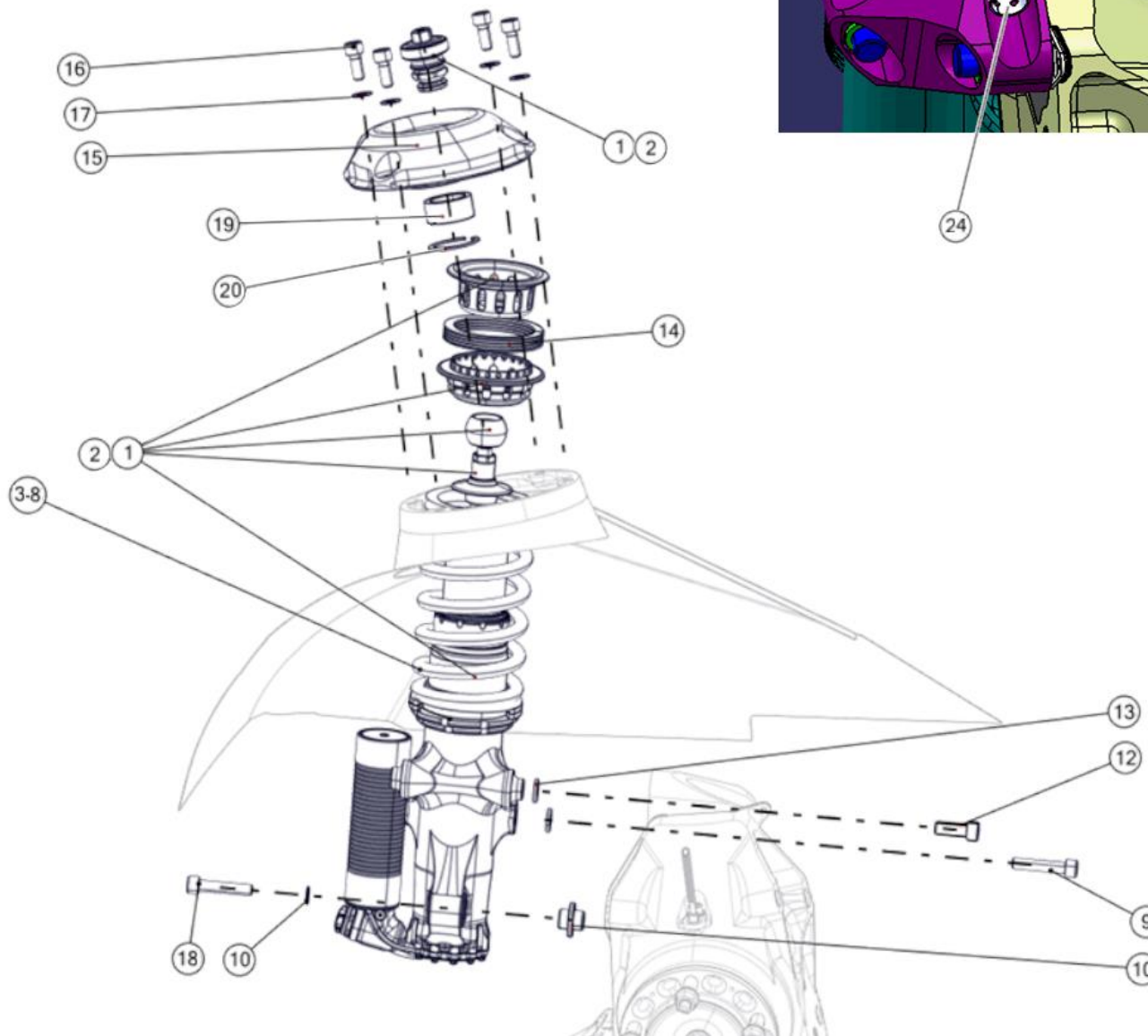
E14_2

SUSPENSION AV TERRE

GRAVEL FRONT SUSPENSION







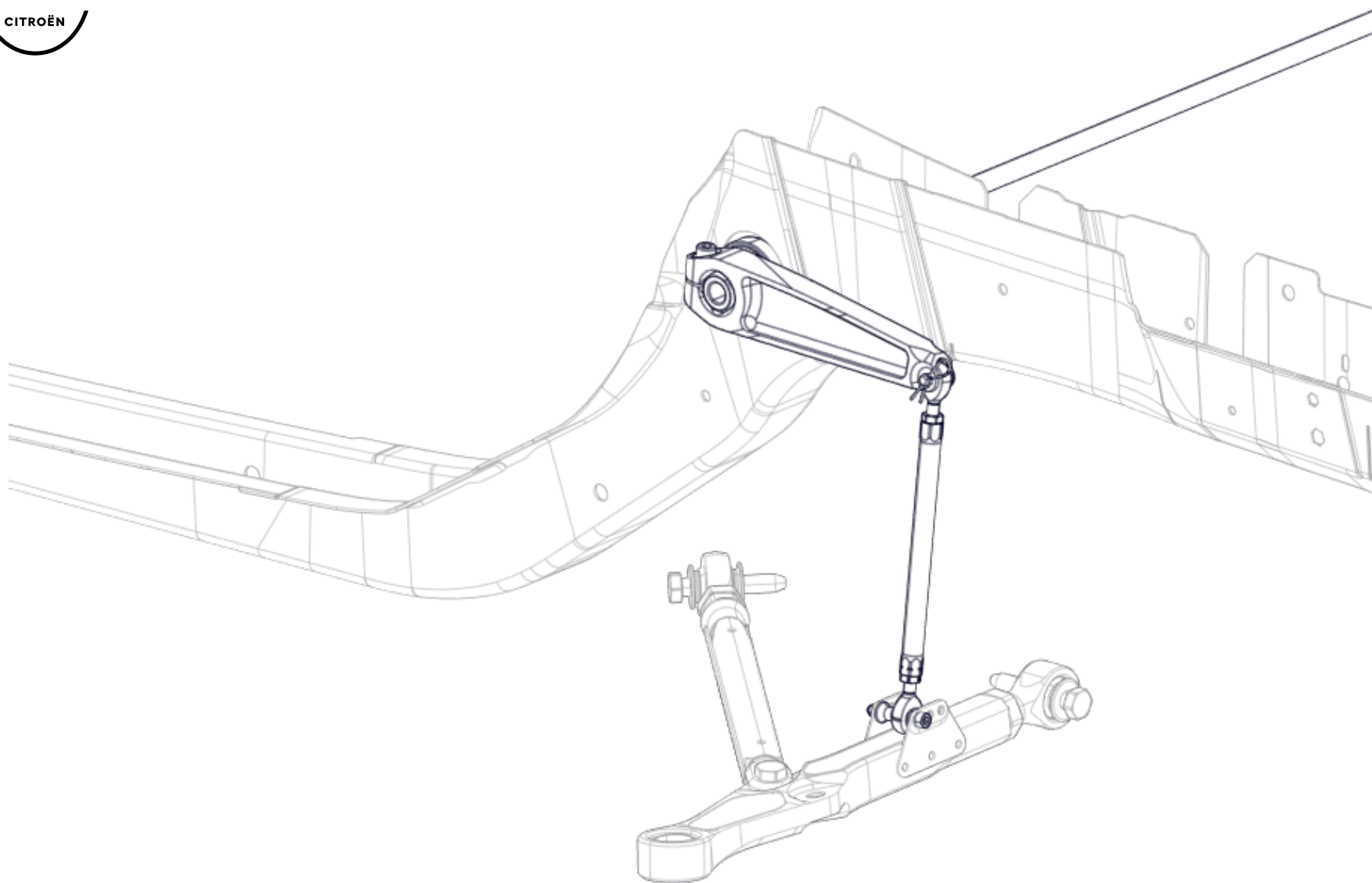
REP	REFERENCE	QTE	DESIGNATION
1	904629008D	1	Amortisseur AVG terre G58F <i>Front left gravel damper G58F</i>
2	904628998D	1	Amortisseur AVD terre G58F <i>Front right gravel damper G58F</i>
3	904481298B	2	Ressort AVT 272-30 <i>Front gravel spring 272-30</i>
4	904481308B	2	Ressort AVT 272-27.5 <i>Front gravel spring 272-27.5</i>
5	904481318B	2	Ressort AVT 272-25 <i>Front gravel spring 272-25</i>
6	904481328B	2	Ressort AVT 272-22.5 <i>Front gravel spring 272-22.5</i>
7	904657998A	2	Ressort AVT 272-20 <i>Front gravel spring 272-20</i>
8	904657988A	2	Ressort AVT 272-17.5 <i>Front gravel spring 272-17.5</i>
9	PS82060A10	2	Vis CHC M10-50 <i>Screw M10-50</i>
10	904475678A	2	Centreur JDF <i>Strut centering pin</i>
11	PS86571A10	2	Rondelle SPS D10 <i>Washer SPS D10</i>
12	PS82008A10	2	Vis CHC M10x30 <i>Screw CHC M10x30</i>
13	6947H6	4	Rond plate D22e2.5 <i>Washer D22e2</i>

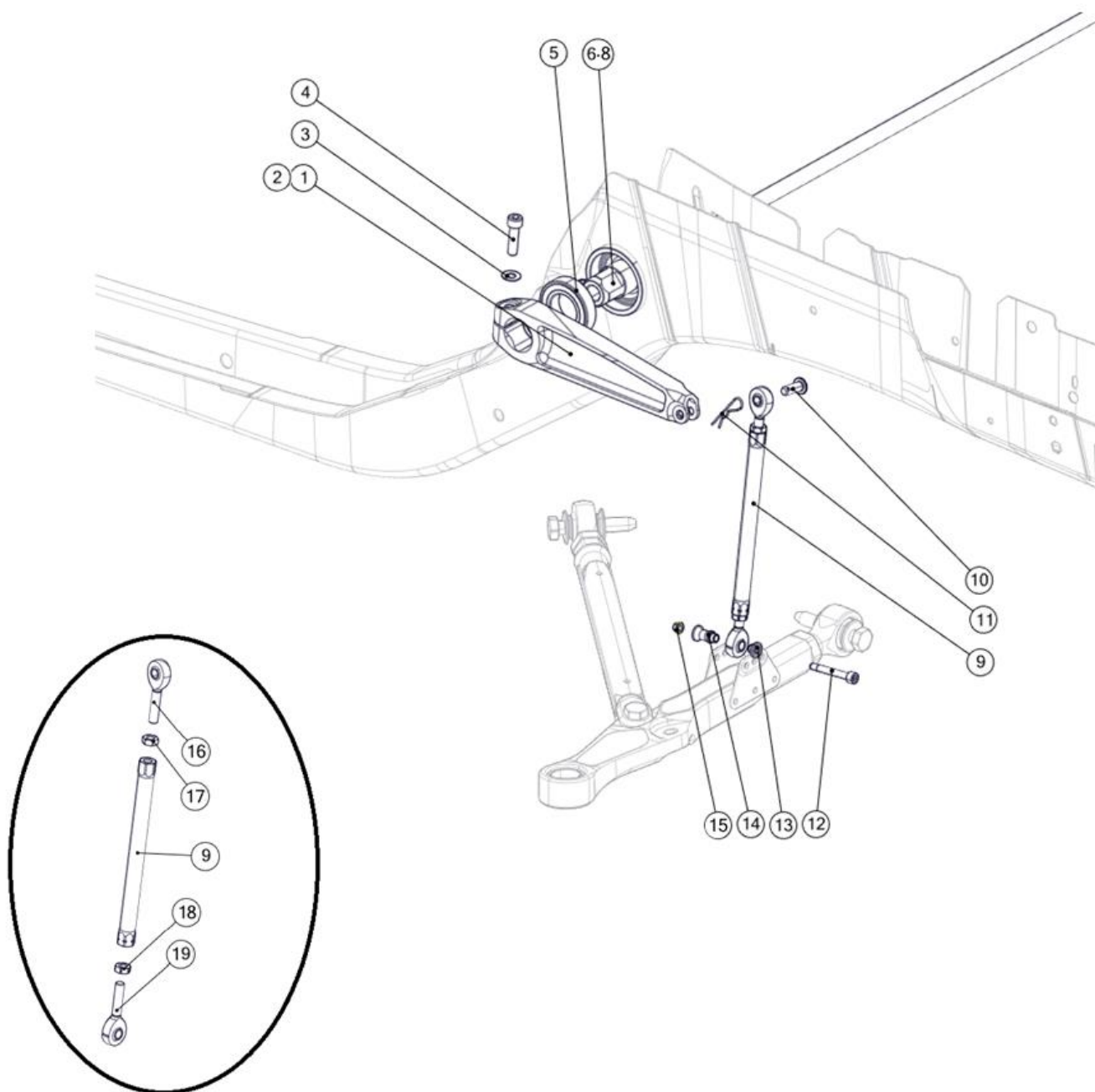
REP	REFERENCE	QTE	DESIGNATION
14	1E1463020A	2	Ressort compensateur <i>Helper spring</i>
15	904482638B	2	Platine PT C AV <i>Point C bracket</i>
16	PS82094A10	8	Vis CHC M10x25 <i>Screw CHC M10x25</i>
17	PS86538A10	8	Rondelle OND D10 B <i>Washer OND D10 B</i>
18	PS82146A10	2	Vis CHC M10-150 L60 <i>Screw M10-150 L60</i>
19	904610578A	2	Rotule point C <i>Point C bracket ball joint</i>
20	PS72930A10	2	Circlips Int D45 <i>Int circlips D45</i>
21	904663028C	2	Protection clic <i>Clics adjuster protection</i>
22	CS360002ST	2	Joint torique 26,5x2,5 <i>Oring 26,5x2,5</i>
23	904638358A	2	Cale RCV 3mm <i>RCV blocker 3mm</i>
24	904666058C	2	SUPPORT TUYAU DE FREIN <i>Brake pipe bracket</i>
25	CLE.AM-OUT	1	Clé à ergot Reiger <i>Reiger cup setting tool</i>



E15
BARRE ANTI ROULIS AVANT
FRONT ANTI ROLL BAR







REP	REFERENCE	QTE	DESIGNATION
1	904600238B	1	Levier BAD AV D <i>FR ARB LEVER</i>
2	904600248B	1	Levier BAD AV G <i>FL ARB LEVER</i>
3	PS86510A10	2	Rondelle OND D8 B <i>Washer OND D8 B</i>
4	PS82079A10	2	VIS CHC M8 L30 <i>Screw CHC M8 L30</i>
5	CS460050ST	2	RLT billes 6006-2RS <i>Bearing 6006-2RS</i>
6	904479628B	1	ENS BAD AV 13,6 <i>Front anti-roll bar 13,6</i>
7	904479638B	1	ENS BAD AV 15,3 <i>Front anti-roll bar 15,3</i>
8	904479648B	1	ENS BAD AV 17,6 <i>Front anti-roll bar 17,6</i>
9	904475448A	2	Biellette BAD AV <i>Front ARB Connecting rod</i>
10	904475438A	2	Axe PT RB <i>Point RB pin</i>
11	PS78025A10	2	Goupille BETA D1.5 <i>Beta pin D1.5</i>
12	904475488A	2	Vis PT RC AV <i>Screw PT RC AV</i>
13	904475468B	2	Spacer PT RC AV T1 <i>Front PT RC spacer T1</i>
14	904475478B	2	Spacer PT RC AV T2 <i>Front PT RC spacer T2</i>
15	PS74001A10	2	Ecrou M6PH135M <i>Nut M6PH135M</i>
16	PS88805A10	2	Rotule PRM 5T (pas à droite) <i>Ball joint PRM 5T (right thread)</i>
17	ST02300007	2	Ecrou HM 5/16-24 UNF <i>Nut HM 5/16-24 UNF</i>

REP	REFERENCE	QTE	DESIGNATION
18	ST02300008	2	Ecrou HM 5/16-24 UNF LT <i>Nut HM 5/16-24 UNF LT</i>
19	PS88806A10	2	Rotule PRB 5T (pas à gauche) <i>Ball joint PRB 5T (left thread)</i>

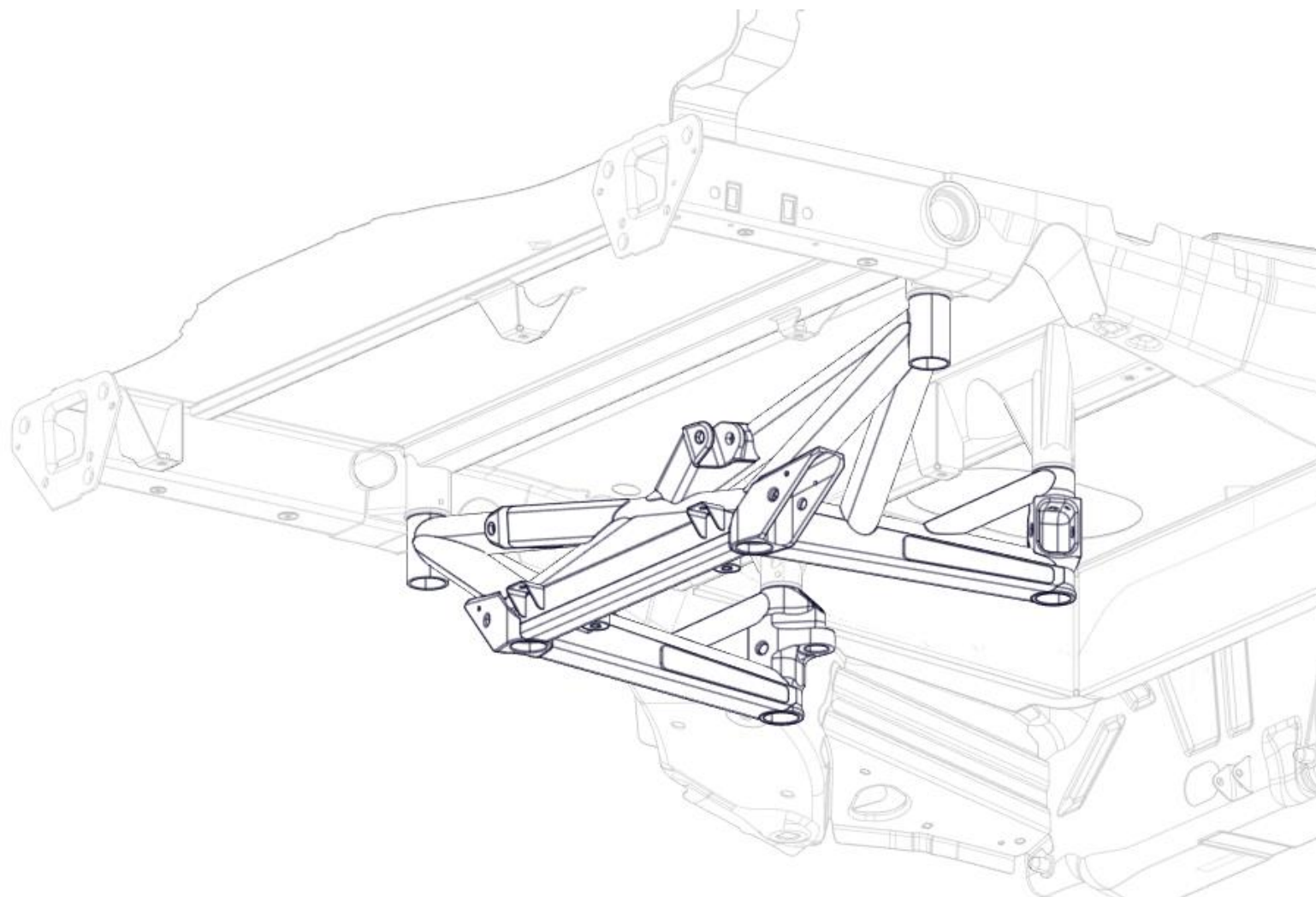


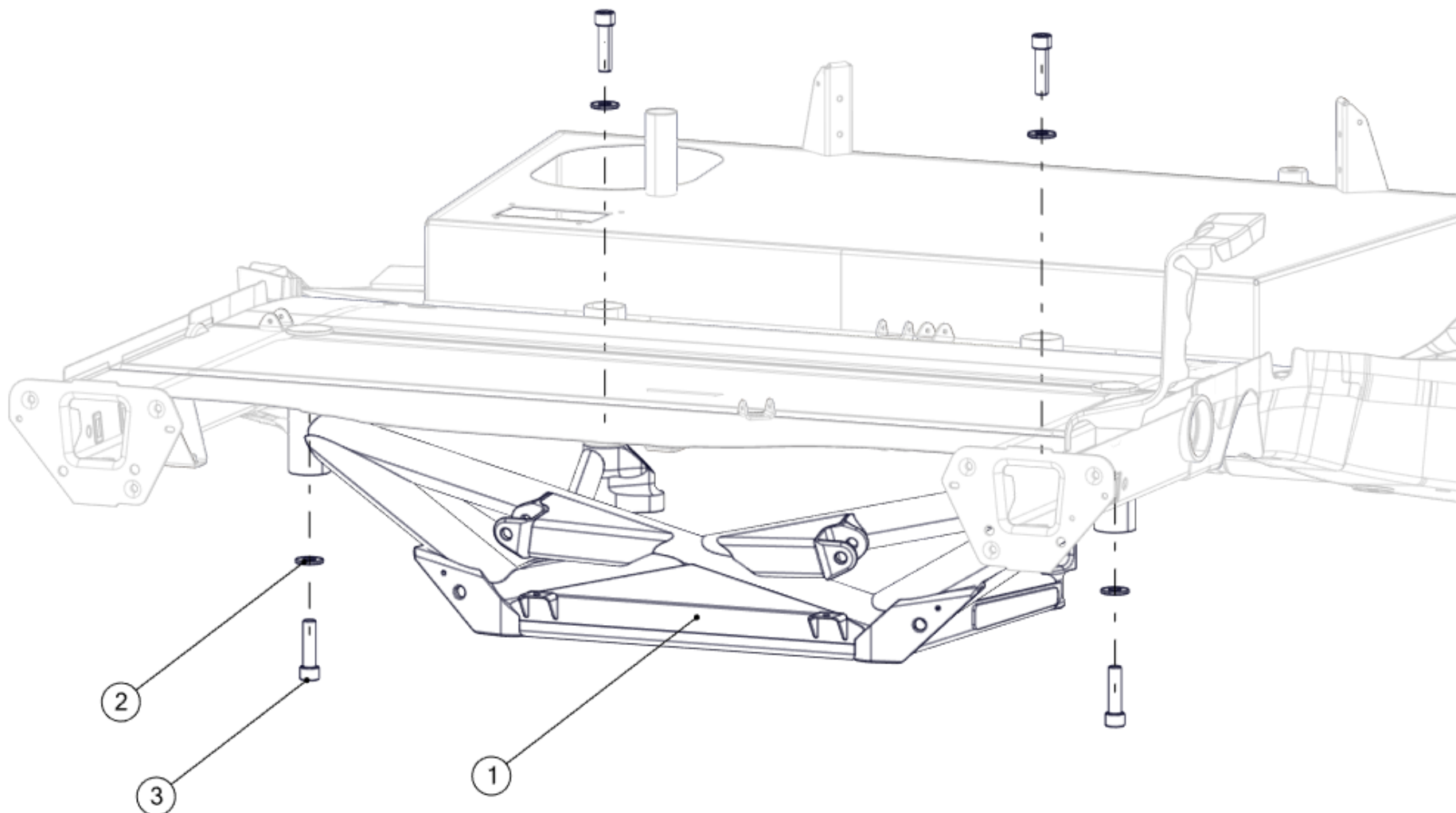
E21

BERCEAU ARRIERE

REAR SUBFRAME





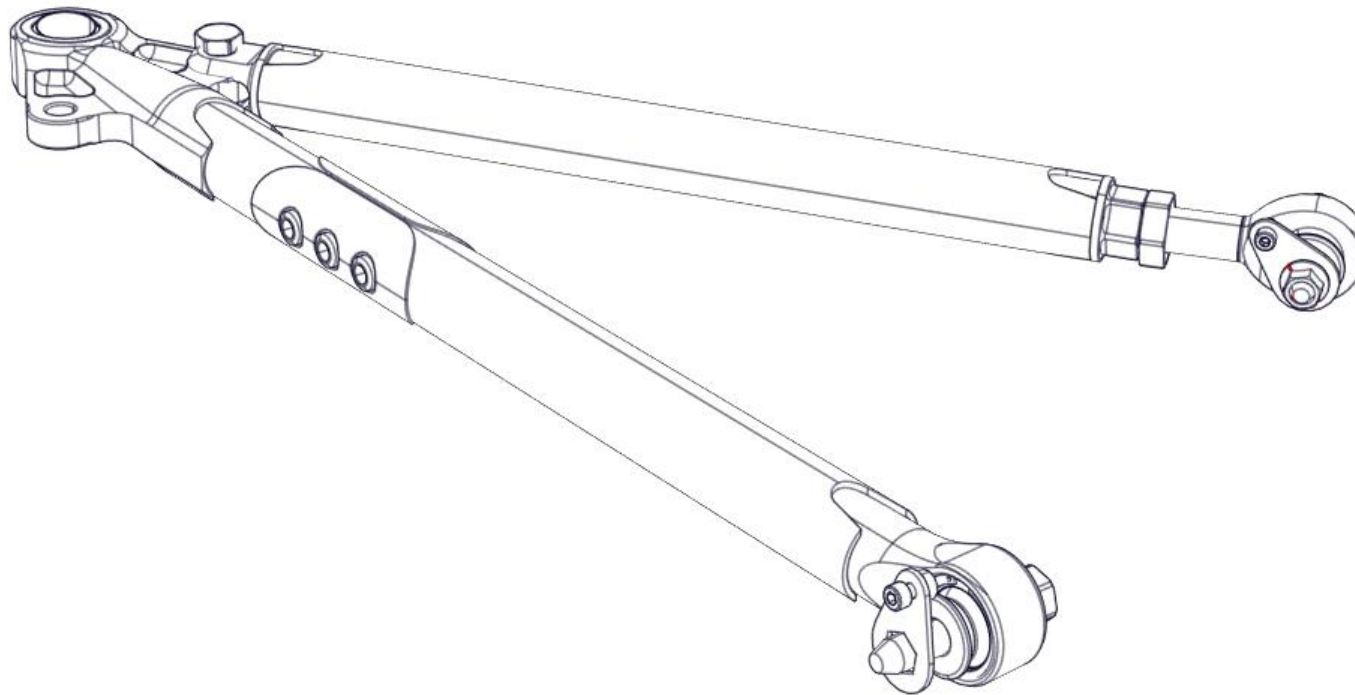


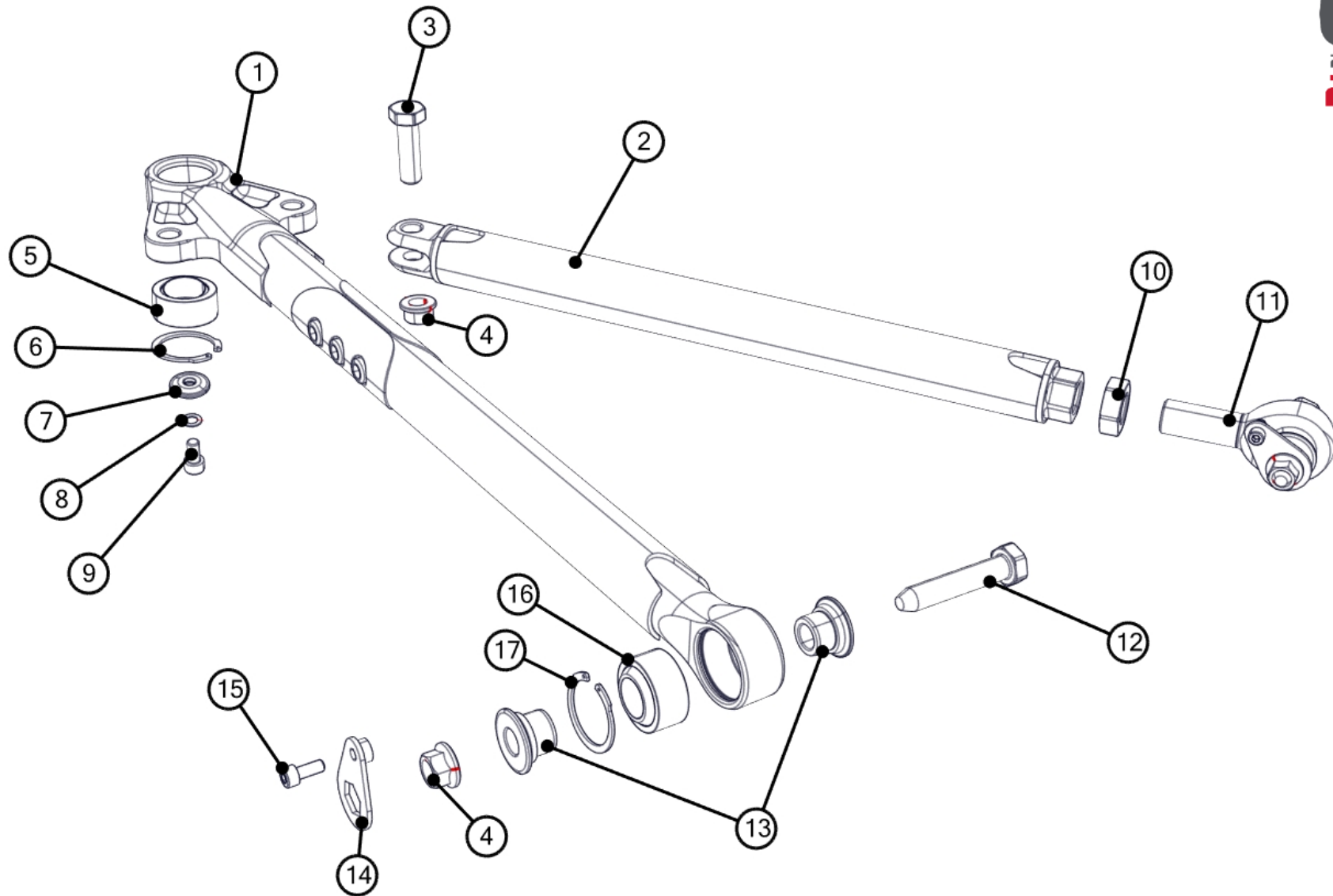
REP	REFERENCE	QTE	DESIGNATION
1	904648958B	1	Berceau AR Evo <i>Rear crossmember Evo</i>
2	TR4335005A	4	Rondelle 27x12x3 <i>Washer 27x12x3</i>
3	CS550040ST	4	Vis CHC M12x175 L45 <i>Screw M12x175 L45</i>



E22
TRIANGLE ARRIERE
REAR WISHBONE







REP	REFERENCE	QTE	DESIGNATION
1	904630098C	2	Bras de carrossage AR <i>Rear wishbone</i>
2	904630088B	2	Tirant de chasse AR <i>Point D ball joint</i>
3	904474888B	2	Vis tirant de chasse <i>Caster arm screw</i>
4	PS74043A10	6	Ecrou M12 <i>Nut M12</i>
5	904474868B	2	Rotule PT D <i>Point D ball joint</i>
6	PS72772A10	2	Circlips JV40 <i>circlips JV40</i>
7	904474828C	2	Entretoise PT D <i>PT D Spacer</i>
8	PS86570A10	2	Rondelle SPS 8x13x0.8 <i>Wisher SPS 8x13x0.8</i>
9	PS82130A10	2	Vis CHC M8x125 L16 <i>Screw CHC M8x125 L16</i>
10	ST02300003	2	Ecrou 0.75-16 UNF <i>Nut 0.75-16 UNF</i>
11	PS88801A10	2	Rotule PRM 12T <i>Rose joint PRM 12T</i>
12	904605918A	4	Vis PT E AR <i>Screw PT E REAR</i>
13	904474818B	8	Entretoise PT E1 <i>Point E1 Spacer</i>
14	904614578A	4	Antirot M12 EMB <i>Antirot M12 EMB</i>
15	PS82027A10	4	Vis CHC M5X12 <i>Screw CHC M5x12</i>
16	PS88800A10	2	Rotule PWB 12T <i>Ball joint PWB 12T</i>
17	PS72633A10	2	Circlips INT JV35 <i>Circlips INT JV35</i>

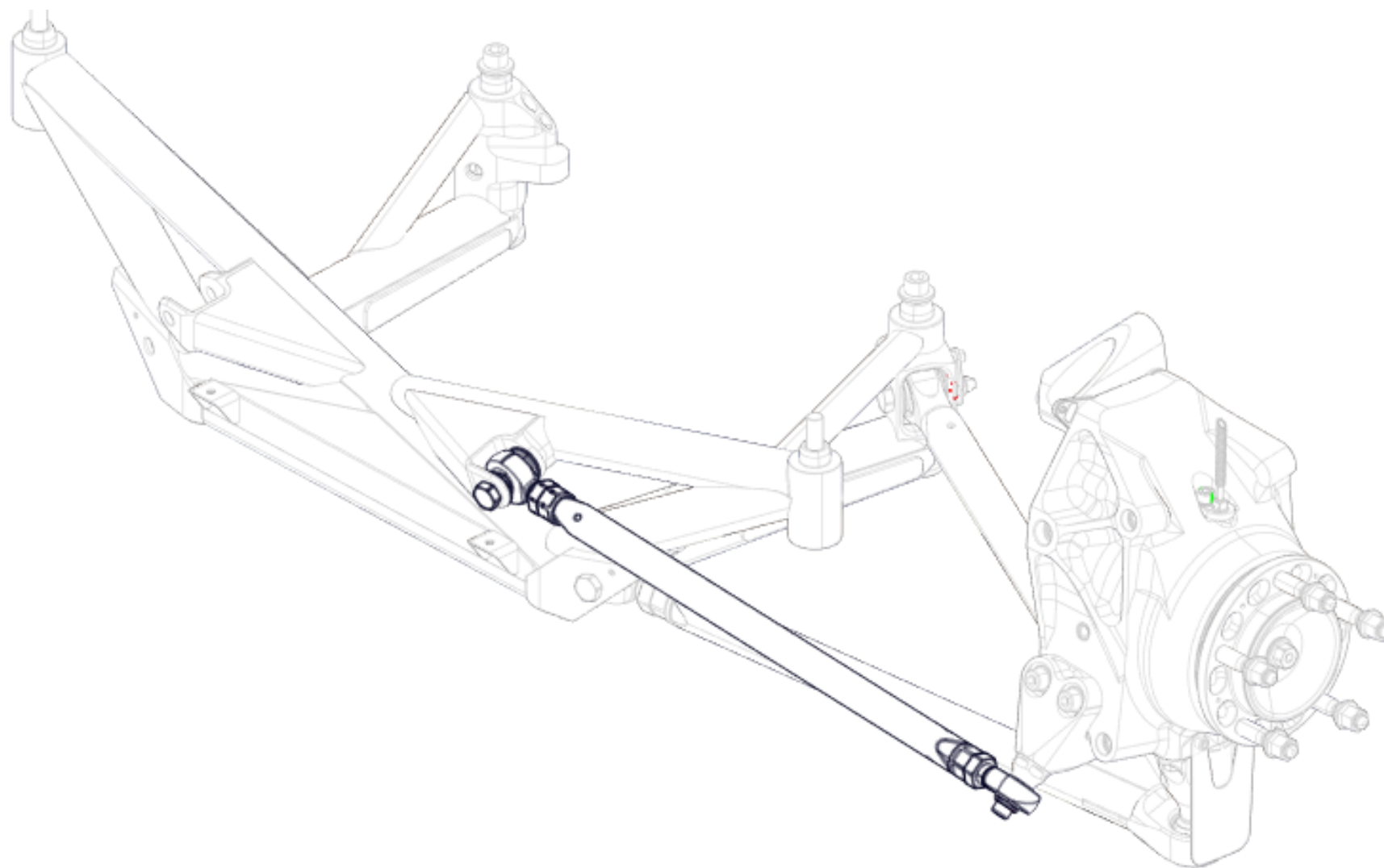


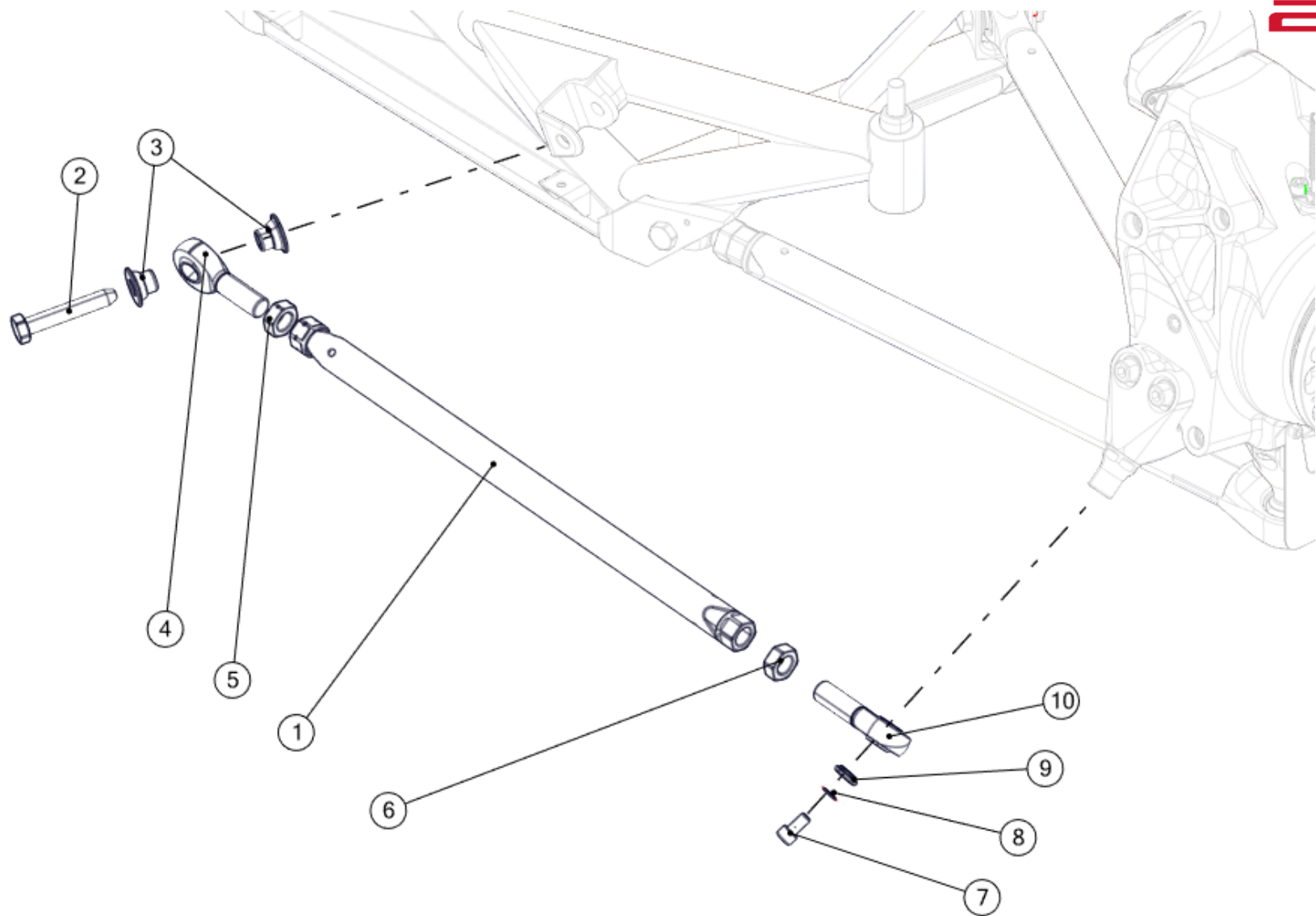
E23

BIELLETTE DE PINCE ARRIERE

REAR TRACK ROD







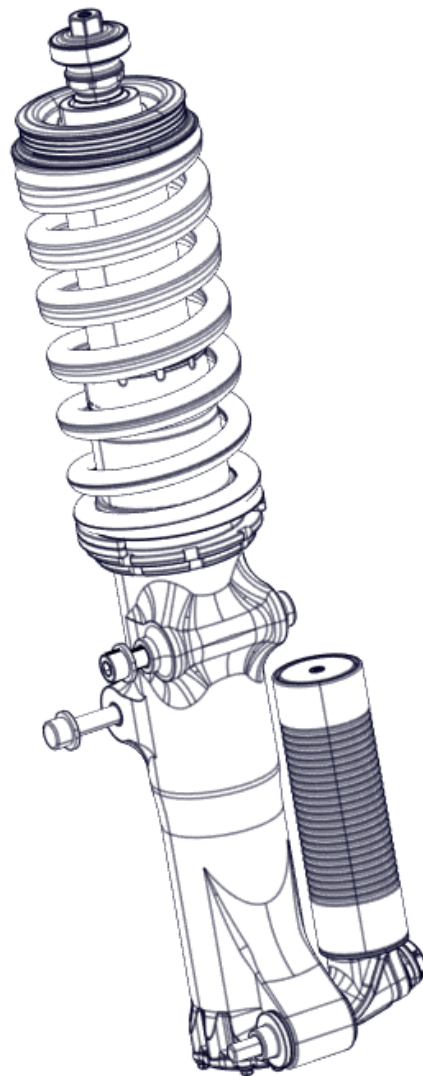
REP	REFERENCE	QTE	DESIGNATION
1	904474968B	2	Biellette pince <i>Rear track rod</i>
2	904474878C	2	VIS PT E <i>Point E Screw</i>
3	904474998B	4	Entretoise PT N AR <i>Spacer PT N AR</i>
4	PS88804A10	2	Rotule PRB 10T <i>Rose joint PRB 10T</i>
5	ST02300005	2	Ecrou HM 5/8-18 UNF LT <i>Nut HM 5/8-18 UNF LT</i>
6	ST02300004	2	Ecrou HM 5/8-18 UNF RT <i>Nut HM 5/8-18 UNF RT</i>
7	ST05300096	2	Vis CHC M8x125 L55-28 <i>Screw CHC M8X125 L55-28</i>
8	PS86570A10	2	ROND SPS 8X13X0.8 <i>Washer SPS 8X13X0.8</i>
9	904475028A	2	Entretoise PT M AR <i>Spacer PT M AR</i>
10	904475048A	2	Rotule PT M AR <i>Rose joint PT M AR</i>
11	PS86572A10	2	Rondelle SPS D12 <i>SPS Washer D12</i>

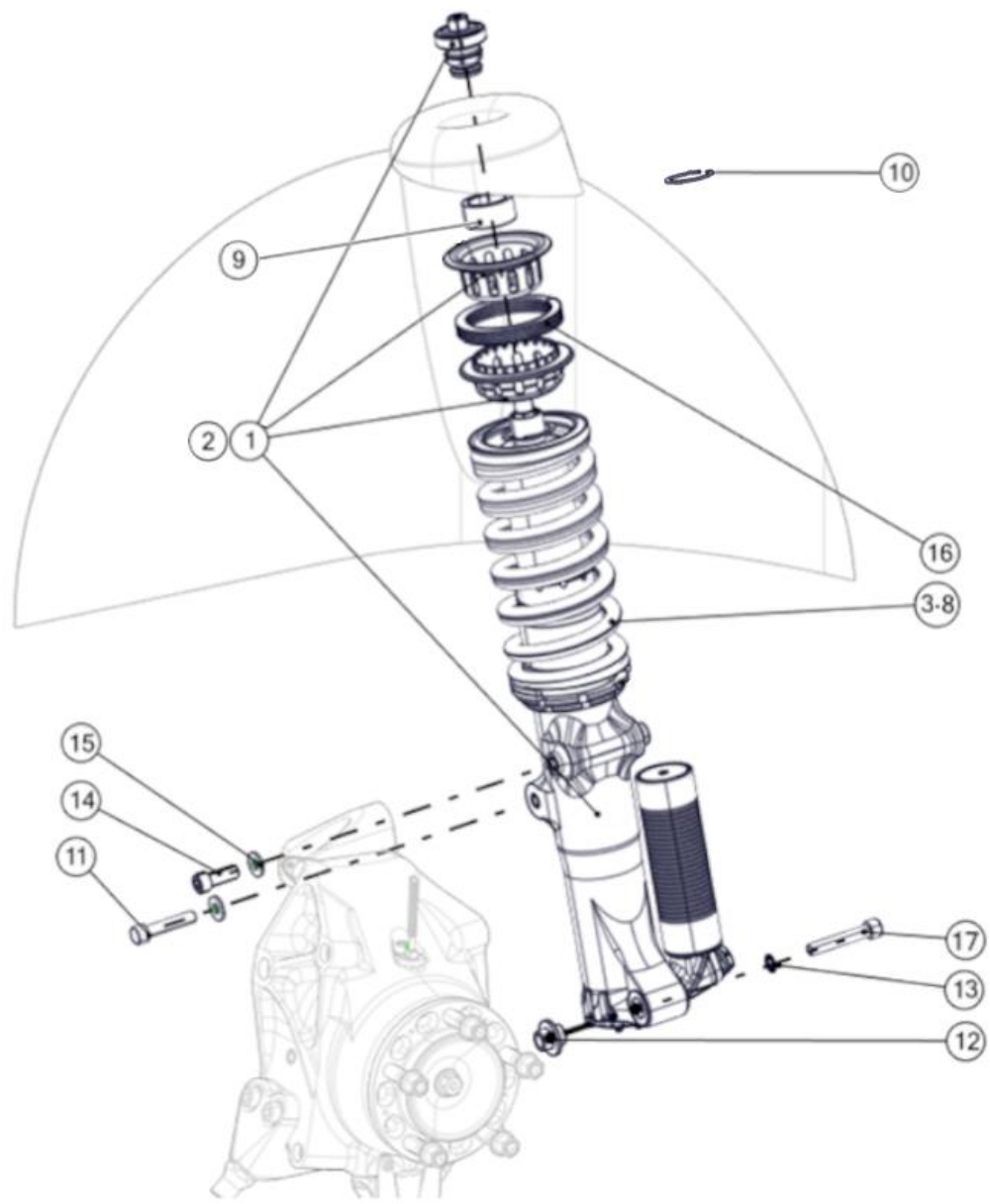
E25_1

SUSPENSION AR ASPHALTE

TARMAC REAR SUSPENSION







REP	REFERENCE	QTE	DESIGNATION
1	904629068D	1	Amortisseur ARG asphalte T40R <i>Rear left tarmac shock absorber T40R</i>
2	904629058D	1	Amortisseur ARD asphalte T40R <i>Rear right tarmac shock absorber T40R</i>
3	904481178B	2	Ressort ARA 220-60 <i>Rear tarmac spring 220-60</i>
4	904481188B	2	Ressort ARA 220-55 <i>Rear tarmac Spring 220-55</i>
5	904481198B	2	Ressort ARA 220-50 <i>Rear tarmac Spring 220-50</i>
6	904481208B	2	Ressort ARA 220-45 <i>Rear tarmac Spring 220-45</i>
7	904672738A	2	Ressort ARA 220-40 <i>Rear tarmac Spring 220-40</i>
8	904672728A	2	Ressort ARA 220-35 <i>Rear tarmac Spring 220-35</i>
9	904610578A	2	Rotule point C <i>Point C bracket ball joint</i>
10	PS72930A10	2	Circlips Int D45 <i>Int circlips D45</i>

REP	REFERENCE	QTE	DESIGNATION
11	PS82060A10	2	Vis CHC M10-50 <i>Screw M10-50</i>
12	904475678A	2	Centreur JDF <i>Strut Locating</i>
13	PS86571A10	2	Rondelle SPS D10 <i>Washer SPS D10</i>
14	PS82008A10	2	Vis CHC M10x30 <i>Screw CHC M10x30</i>
15	6947H6	4	Rond plate D22e2.5 <i>Washer D22e2.5</i>
16	1E1463020A	2	Ressort compensateur <i>Helper spring</i>
17	PS82146A10	2	Vis CHC M10-150 L60 <i>Screw M10-150 L60</i>
18*	CS360002ST	2	Joint torique 26,5x2,5 <i>Oring 26,5x2,5</i>
19*	904638358A	2	Cale RCV <i>RCV blocker</i>
20*	CLE.AM-OUT	1	Clé à ergot Reiger <i>Reiger cup setting tool</i>

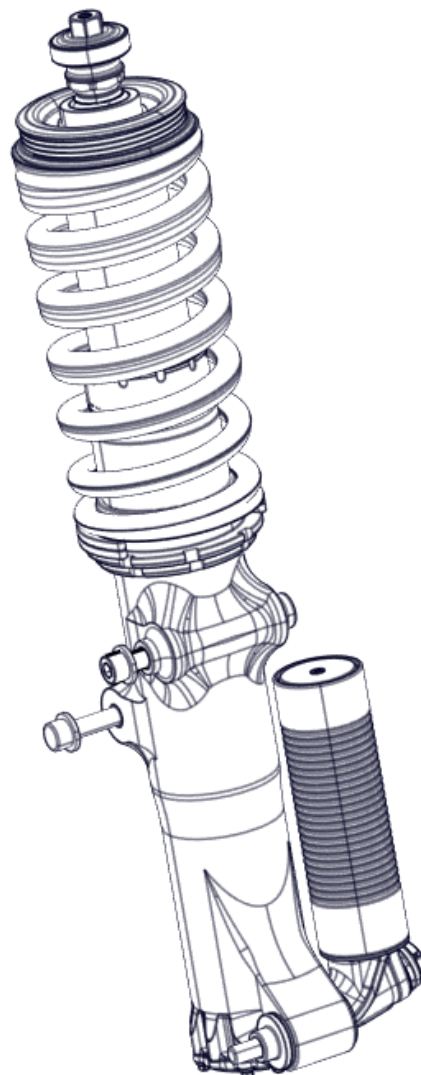
* : non représenté / not represented

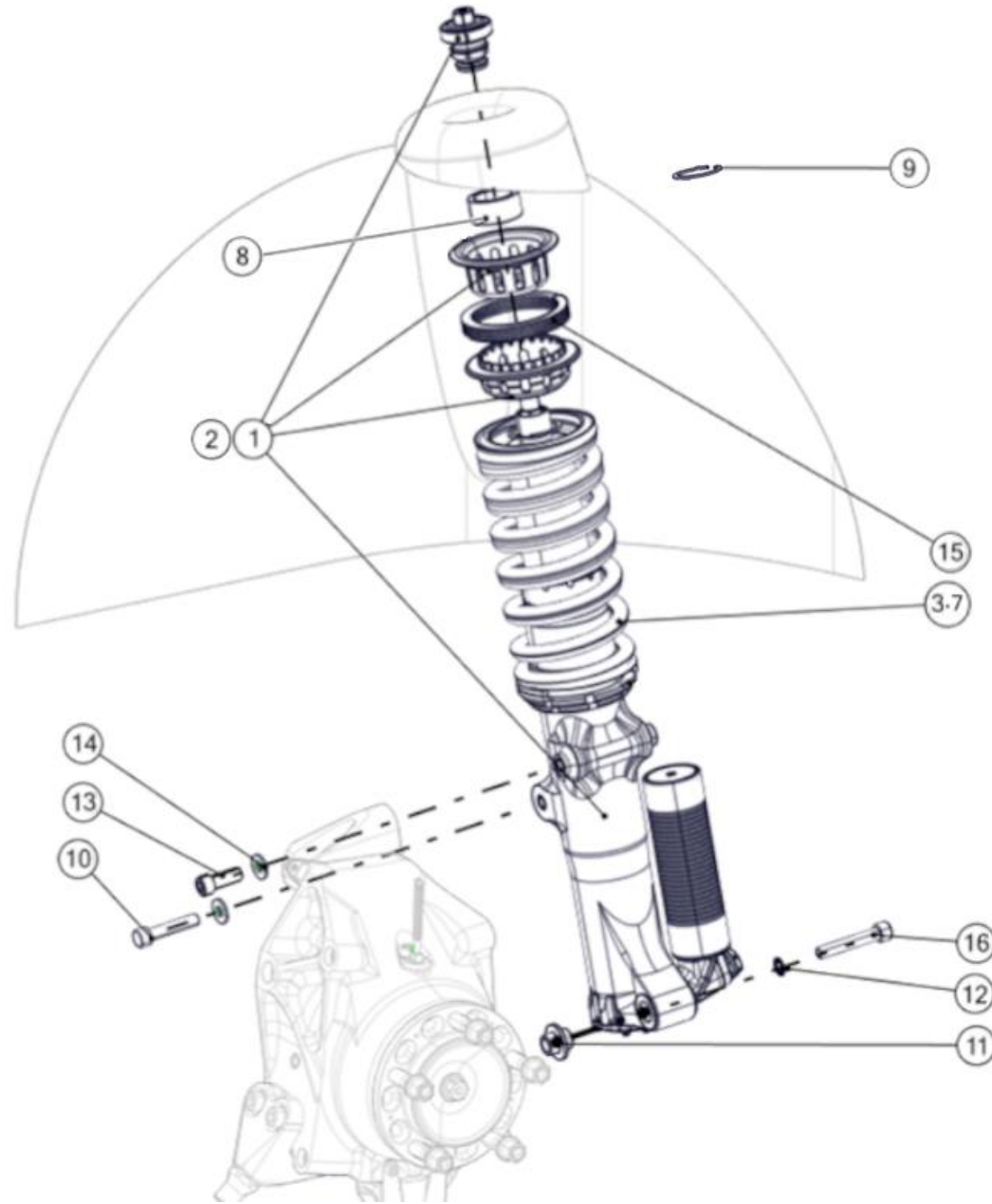
E25_2

SUSPENSION AR TERRE

GRAVEL REAR SUSPENSION







REP	REFERENCE	QTE	DESIGNATION
1	904629048D	1	Amortisseur ARG terre G38R <i>Rear left gravel shock absorber G38R</i>
2	904629038D	1	Amortisseur ARD terre G38R <i>Rear right gravel shock absorber G38R</i>
3	904481368B	2	Ressort ART 285-27.5 <i>Rear gravel spring 285-27.5</i>
4	904481378B	2	Ressort ART 285-25 <i>Rear gravel spring 285-25</i>
5	904481388B	2	Ressort ART 285-22.5 <i>Rear gravel spring 285-22.5</i>
6	904658018A	2	Ressort ART 285-20 <i>Rear gravel spring 285-20</i>
7	904658008A	2	Ressort ART 285-17.5 <i>Rear gravel spring 285-17.5</i>
8	904610578A	2	Rotule point C <i>Point C bracket ball joint</i>
9	PS72930A10	2	Circlips Int D45 <i>Int circlips D45</i>
10	PS82060A10	2	Vis CHC M10-50 <i>Screw M10-50</i>

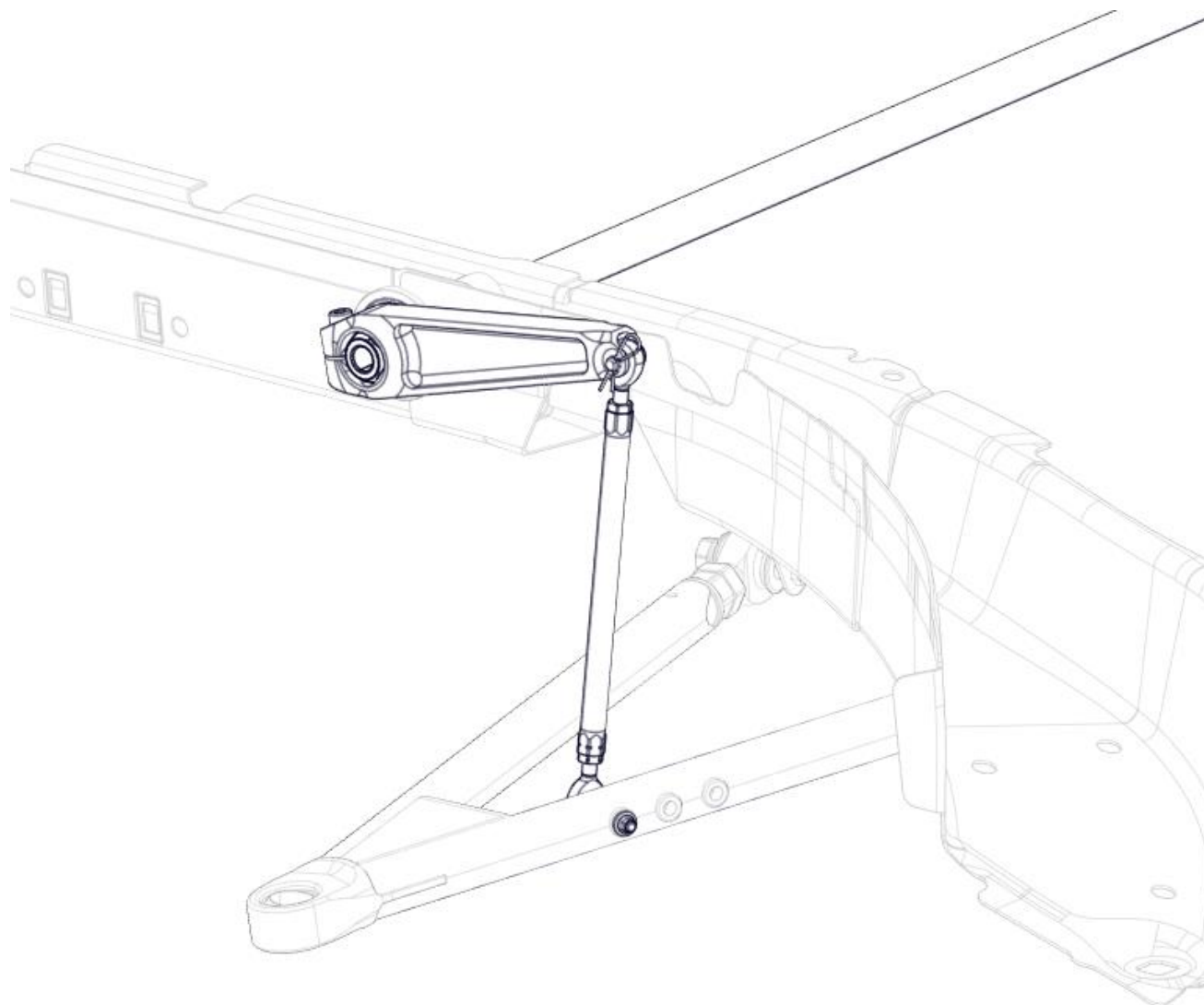
REP	REFERENCE	QTE	DESIGNATION
11	904475678A	2	Centreur JDF <i>Strut Locating</i>
12	PS86571A10	2	Rondelle SPS D10 <i>Washer SPS D10</i>
13	PS82008A10	2	Vis CHC M10x30 <i>Screw CHC M10x30</i>
14	6947H6	4	Rond plate D22e2.5 <i>Washer D22e2.5</i>
15	1E1463020A	2	Ressort compensateur <i>Helper spring</i>
16	PS82146A10	2	Vis CHC M10-150 L60 <i>Screw M10-150 L60</i>
17*	904663028C	2	Protection clic <i>Clips adjuster protection</i>
18*	CS360002ST	2	Joint torique 26,5x2,5 <i>Oring 26,5x2,5</i>
19*	904638358A	2	Cale RCV <i>RCV blocker</i>
20*	CLE.AM-OUT	1	Clé à ergot Reiger <i>Reiger cup setting tool</i>

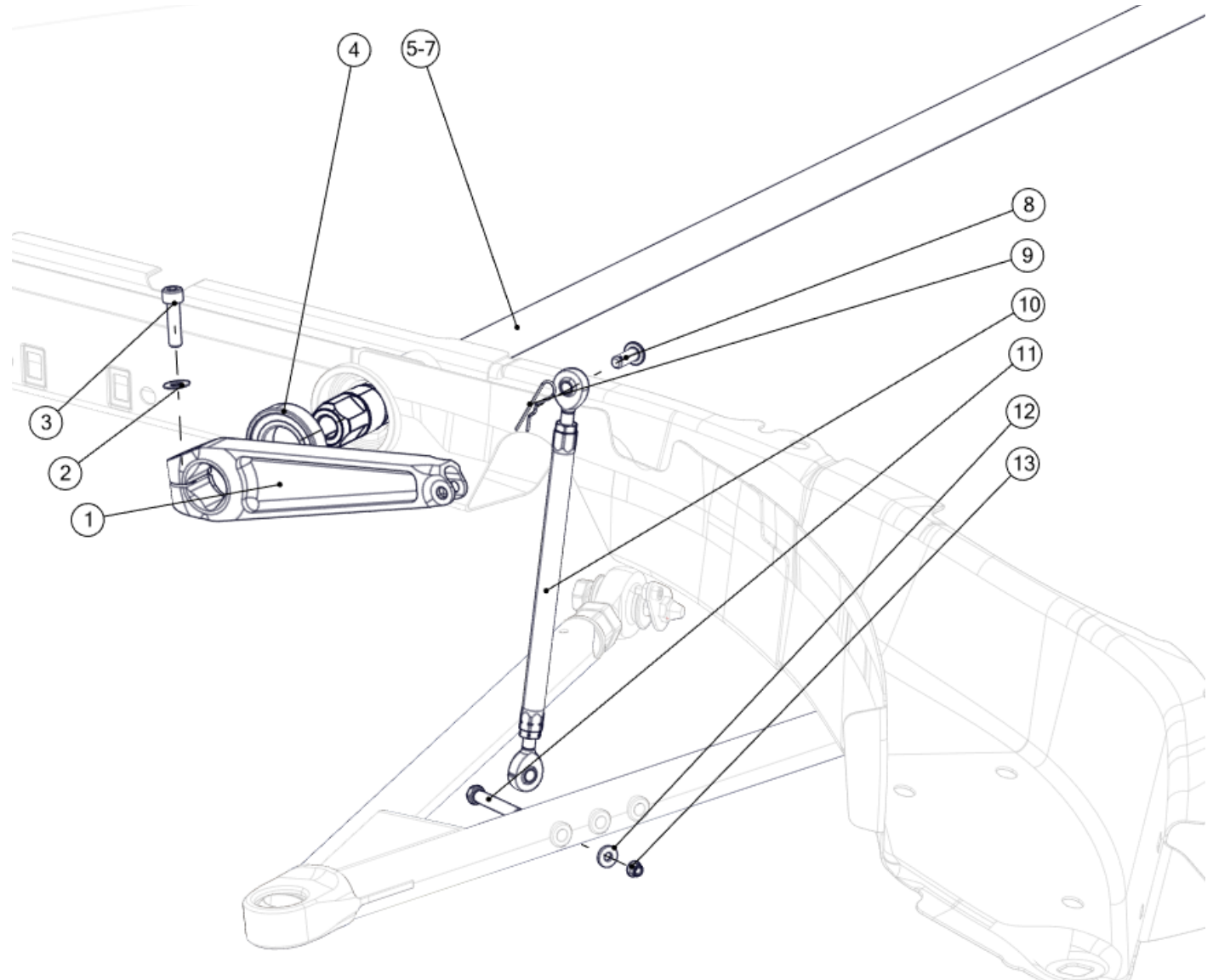
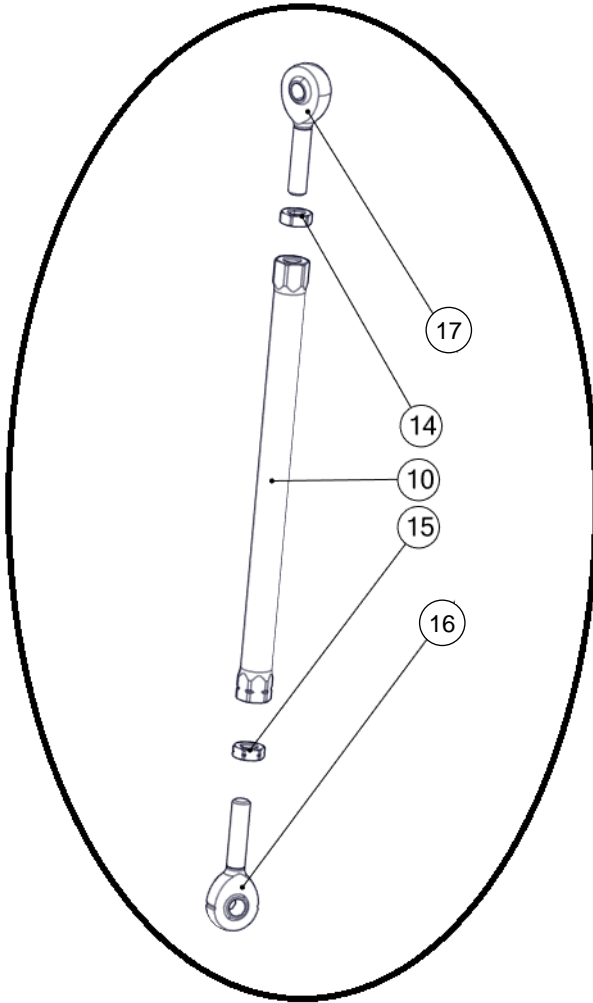
* : non représenté / not represented



E26
BARRE ANTI ROULIS ARRIERE
REAR ANTI ROLL BAR





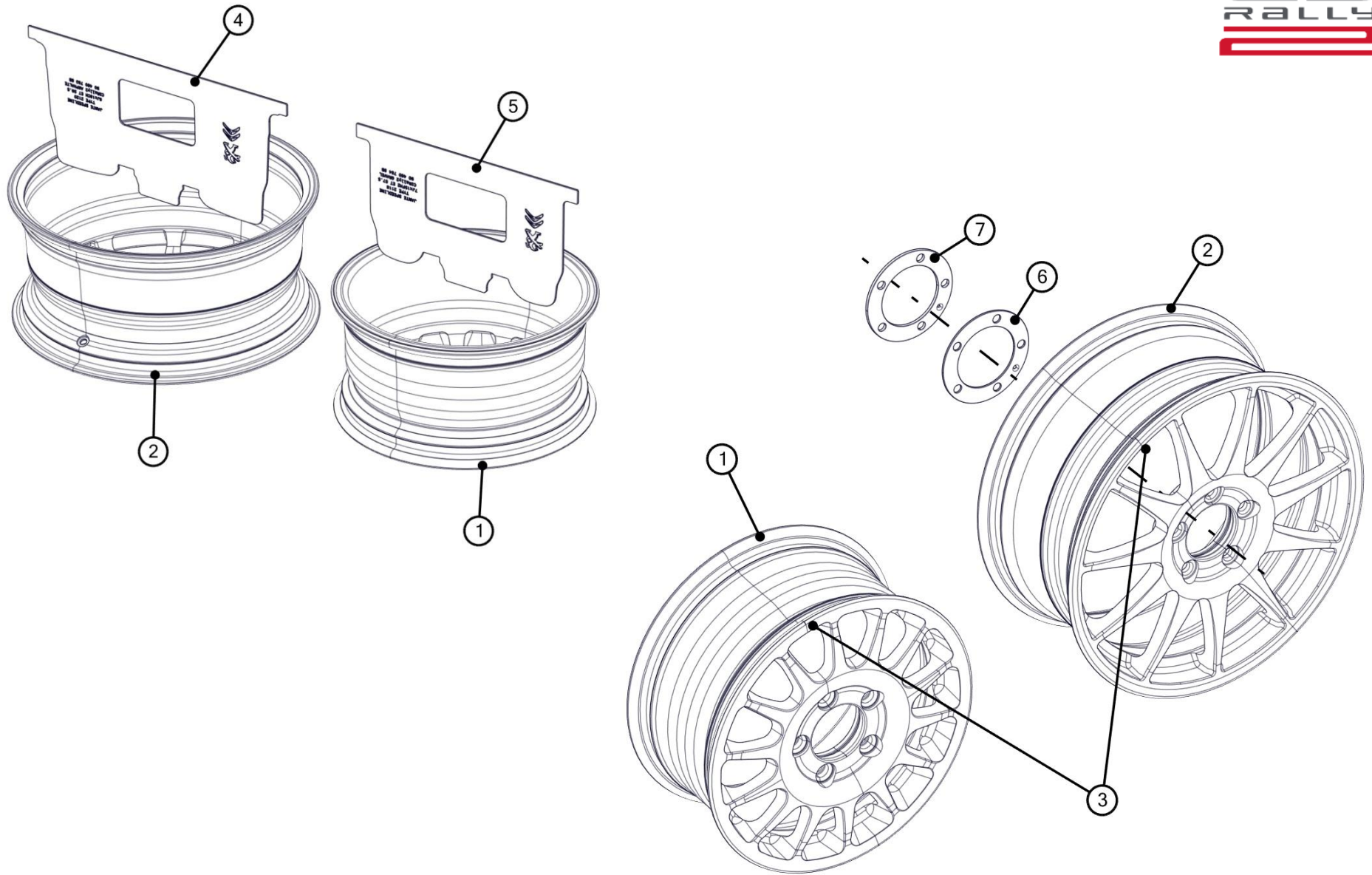


REP	REFERENCE	QTE	DESIGNATION	REP	REFERENCE	QTE	DESIGNATION
1	904600258C	1	Levier BAD AR D <i>Rear Right ARB LEVER</i>	16	PS88806A10	2	Rotule PRB 5T (pas à gauche) <i>Rose joint PRB 5T (left thread)</i>
	904600268C	1	Levier BAD AR G <i>Rear Left ARB LEVER</i>	17	PS88805A10	2	Rotule PRM 5T (pas à droite) <i>Rose joint PRM 5T (right thread)</i>
2	PS86510A10	2	Rondelle OND D8 B <i>Washer Ond D8 B</i>	18*	904601218A	2	Cale Couteau BAD 1mm <i>ARB blade spacer 1mm</i>
3	PS82079A10	2	VIS CHC M8 L30 <i>Screw CHC M8 L30</i>	* Non représenté / Not represented			
4	CS460050ST	2	RLT billes 6006-2RS <i>Bearing 6006-2RS</i>				
5-7	904479688B	1	ENS BAD AR 19 <i>Rear anti-roll bar 19</i>				
	904479698B		ENS BAD AR 21,6 <i>Rear anti-roll bar 21,6</i>				
	904479708B		ENS BAD AR 24,5 <i>Rear anti-roll bar 24,5</i>				
8	904475438A	2	Axe PT RB <i>Pin PT RB</i>				
9	PS78025A10	2	Goupille BETA D1.5 <i>Beta pin d1.5</i>				
10	904475458A	2	Biellette BAD AR <i>Rear ARB Rod</i>				
11	904481918C	2	Vis RC AR <i>Screw RC Rear</i>				
12	6946-38	2	Rondelle M6x14 EP2 <i>Washer M6x14 ep2</i>				
13	PS74001A10	2	Ecrou Embase M6 <i>Flange Nut M6</i>				
14	ST02300007	2	Ecrou HM 5/16-24 UNF <i>Nut HM 5/16-24 UNF</i>				
15	ST02300008	2	Ecrou HM 5/16-24 UNF LT <i>Nut HM 5/16-24 UNF LT</i>				



E31 JANTES *RIMS*



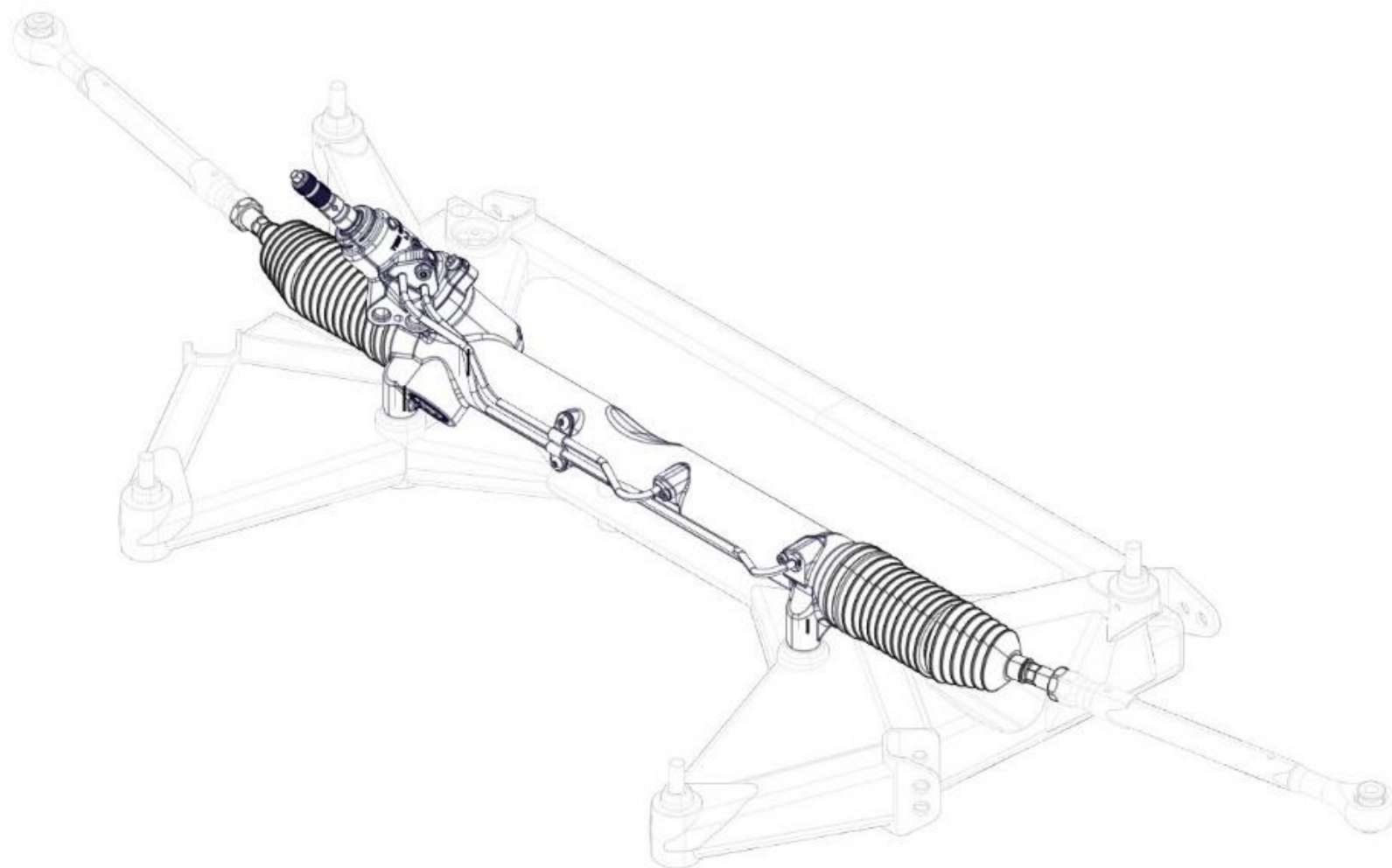


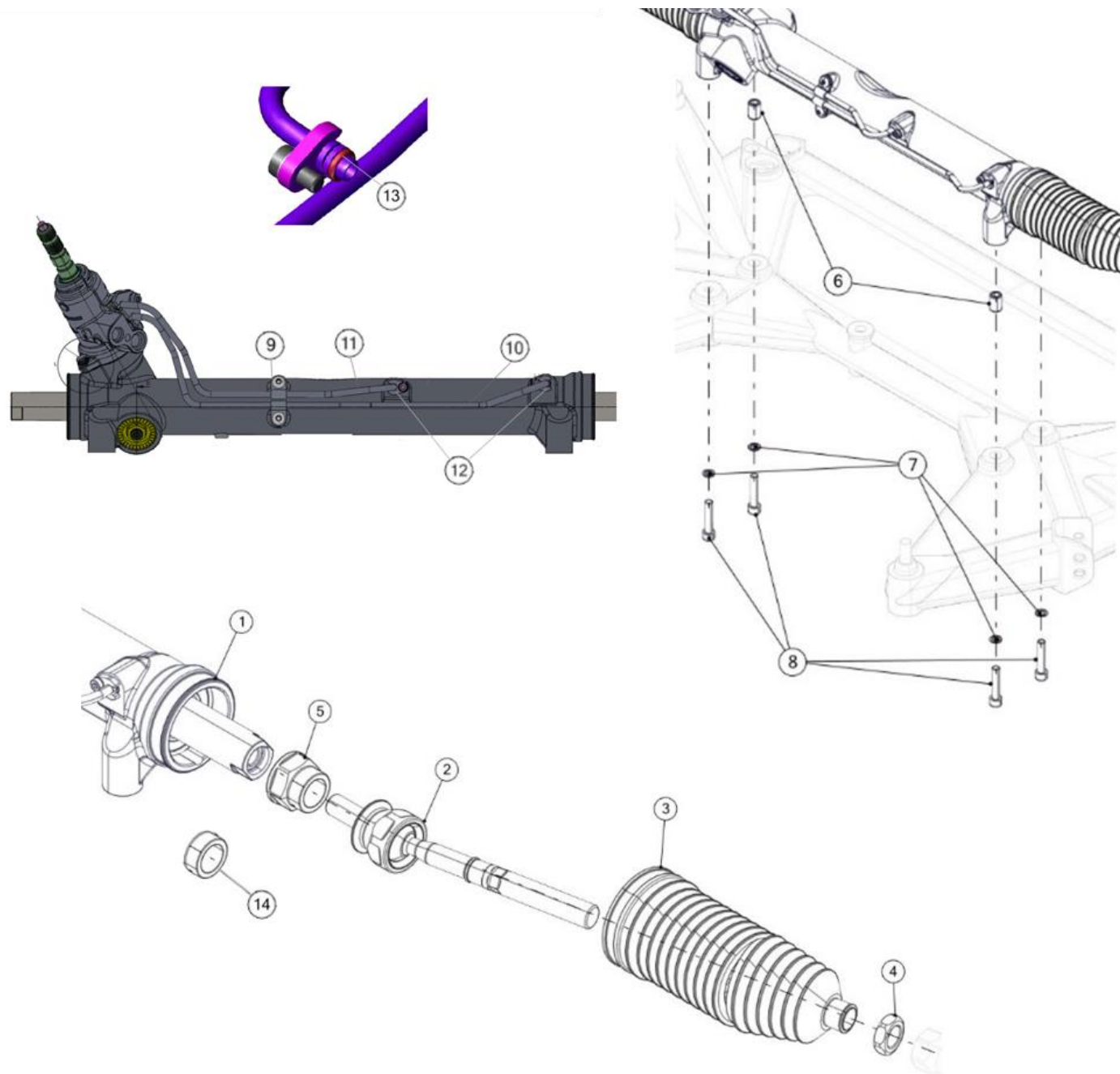
REP	REFERENCE	QTE	DESIGNATION
1	904637508C	4	Jante terre 7x15 Evo <i>Gravel rim 7x15 Evo</i>
2	904477948B	4	Jante asphalte 8x18 Evo <i>Tarmac rim 8x18 Evo</i>
3	1E3121373A	4	Valve Schrader TR412 <i>Schrader valve TR412</i>
4	904607838A	1	Gabarit contrôle jante Asphalte <i>Tarmac rim control plate</i>
5	904659758A	1	Gabarit contrôle jante Terre <i>Gravel rim control plate</i>
6	904659758A	4	Cale de voie 3mm <i>Wheel spacer 3mm</i>
7	904659748A	4	Cale de voie 5mm <i>Wheel spacer 5mm</i>



E41
DIRECTION ASPHALTE & TERRE
STEERING TARMAC & GRAVEL







REP	REFERENCE	QTE	DESIGNATION
CREMAILLERE / STEERING RACK			
1	904474108C	1	Crémaillère C3R5 <i>Steering Rack C3R5</i>
2	904474118A	2	Rotule de crémaillère <i>Steering rack ball joint</i>
3	904474128A	2	Soufflet de crémaillère <i>Steering Rack boot</i>
4	ST02300009	2	Ecrou M16x100 HM <i>Nut M16x100 HM</i>
5	904496178B	2	Entretoise crémaillère terre <i>Gravel steering Rack spacer</i>
14**	904921388B	2	Entretoise crémaillère Asph EVO <i>EVO tarmac steering rack spacer</i>

REP	REFERENCE	QTE	DESIGNATION
FIXATION CREMAILLERE / Steering Rack fitting			
6	1E4124108A	2	Centreur <i>Locating</i>
7	PS86570A10	4	Rondelle SPS Ø8x13-0,8 <i>Washer Ø8x13-0,8</i>
8	PS82010A10	4	Vis CHC M8x40 <i>Nut CHC M8x40</i>
15	904975741A	1	Outil blocage crémaillère direction <i>Steering rack centering tool</i>

9	904684428A	2	Agrafe tube 6mm <i>Tube clip 6mm</i>
10	904684438A	1	Tuyau rigide long <i>Long rigid hose</i>
11	904684448A	1	Tuyau rigide court <i>Short rigid hose</i>
12	SP18-011-02	2	Bride tuyau rigide <i>Hose clamp</i>
13*	ST03600360	2	Joint torique 7.65x1.78 Vert <i>7.65x1.78 green o-ring</i>

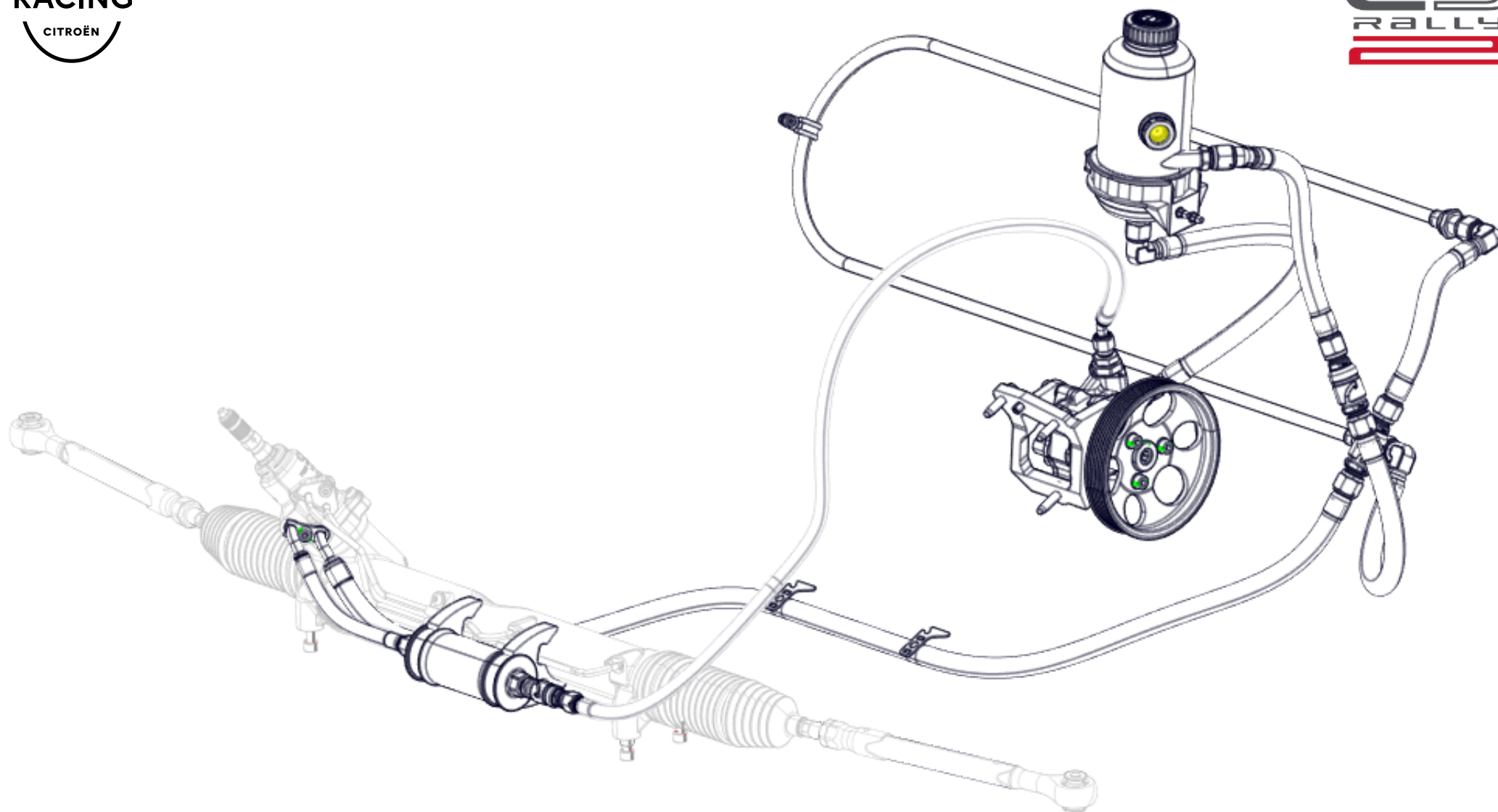
* : Remplace le joint et la bague / Replace o-ring and back up ring

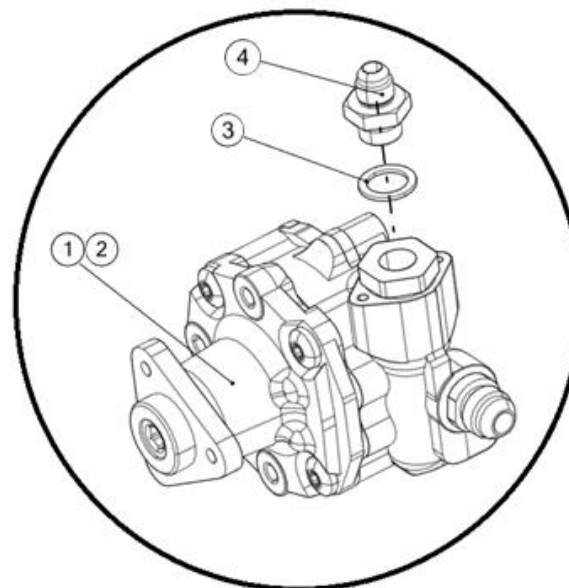
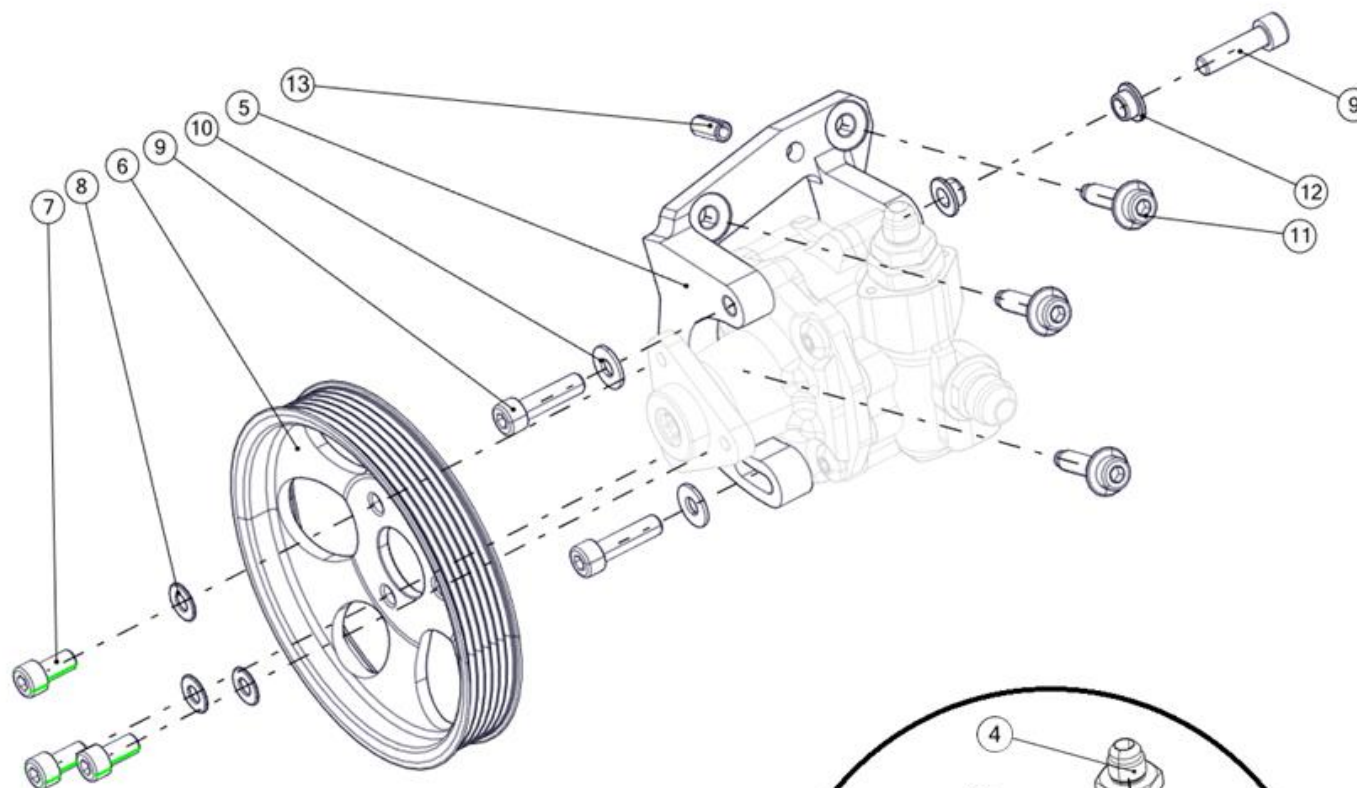
** : Seulement asphalte / Only tarmac



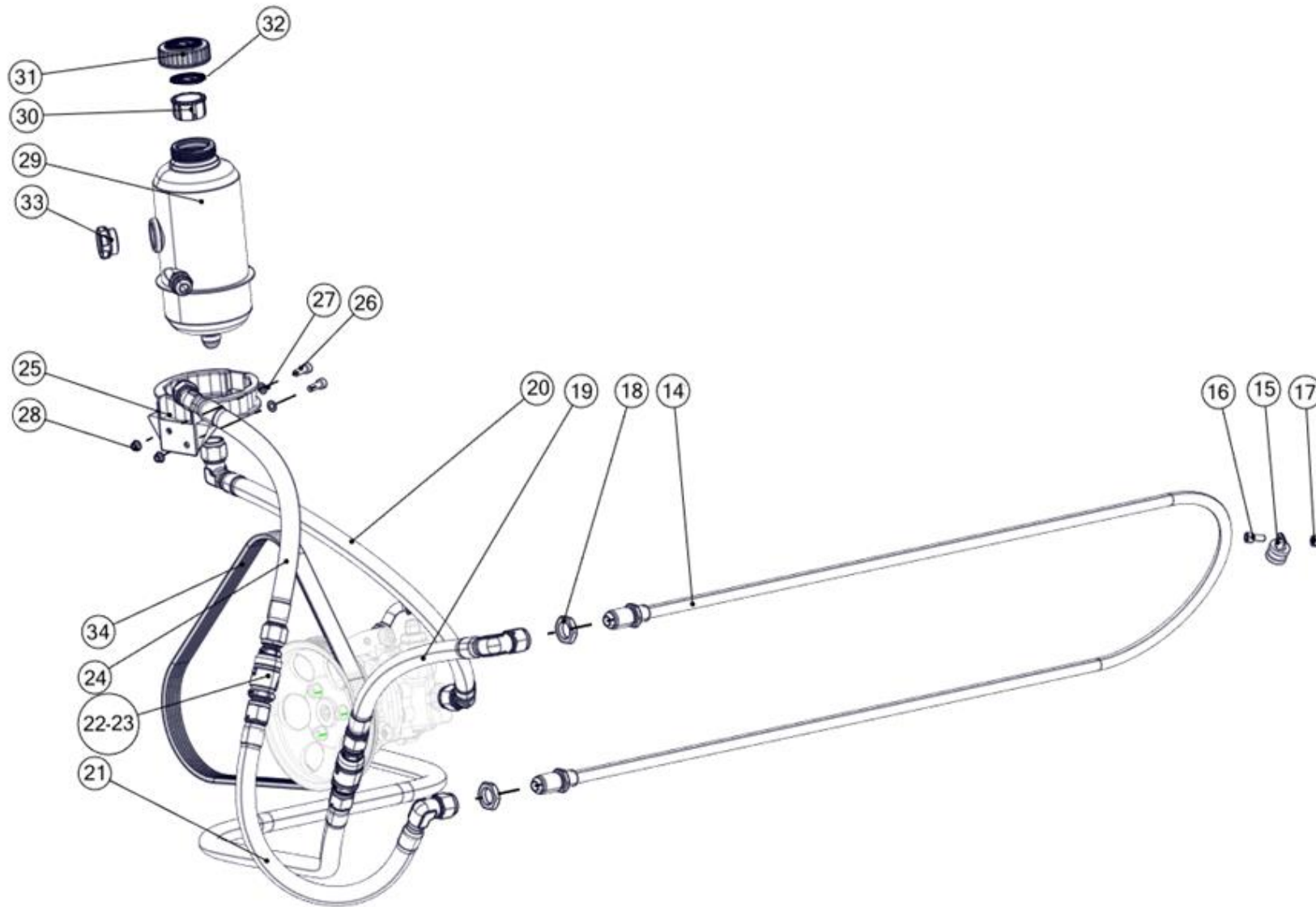
E42
SOURCE PRESSION DA
POWER STEERING PUMP







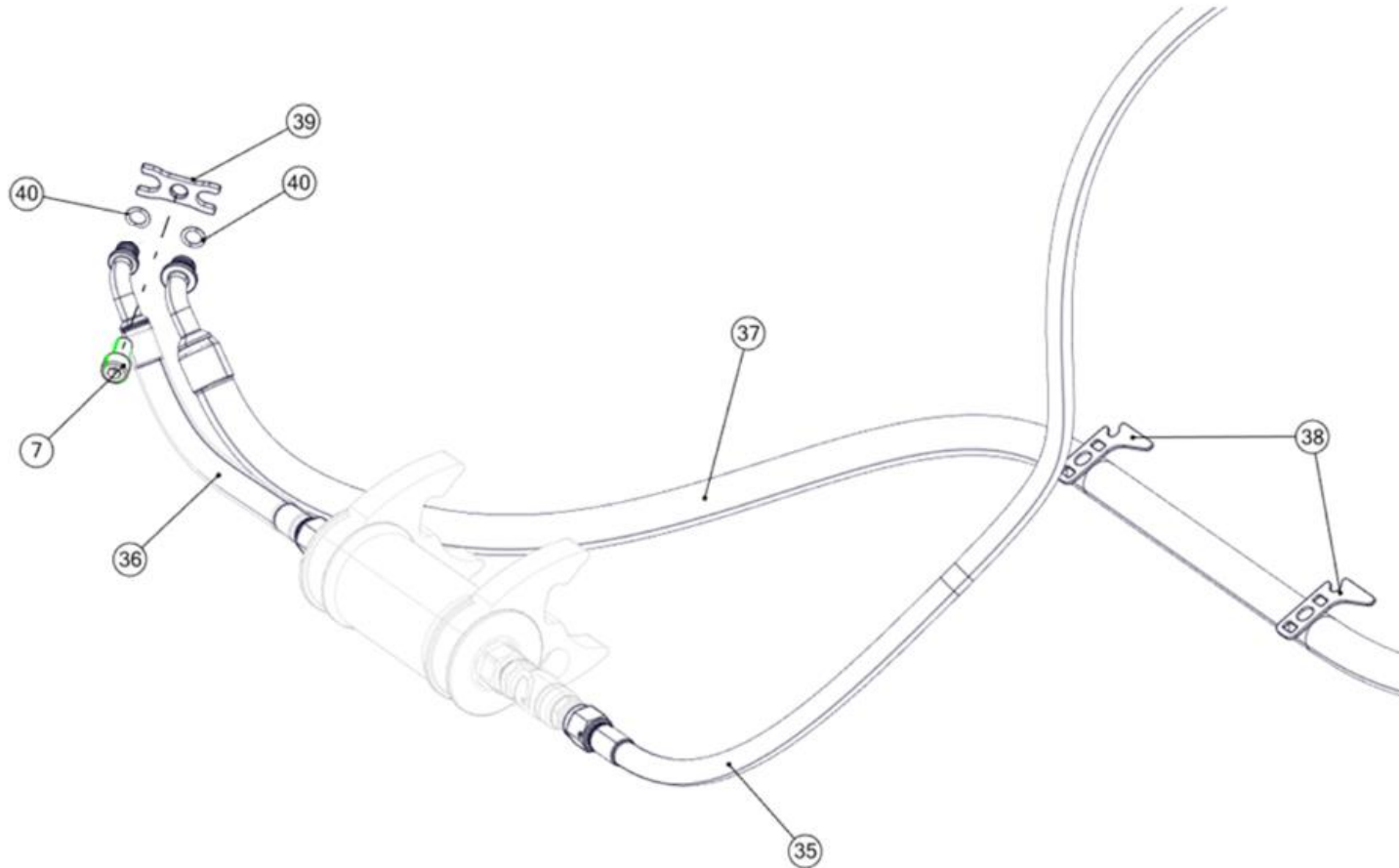
REP	REFERENCE	QTE	DESIGNATION
1	904600278A	1	Pompe DA Asphalte <i>PS pump Tarmac</i>
2	904600288A	1	Pompe DA Terre <i>PS pump Gravel</i>
3	PS81614A10	1	Joint cuivre 16-22-1.5 <i>Copper Seal 16-22-1.5</i>
4	PS73500A10	1	Adapt dash6 M16x1.5 <i>Adaptator dash6 M16x1.5</i>
5	904474008A	1	Support pompe DA <i>PS pump bracket</i>
6	0A1818158A	1	Poulie pompe DA <i>PS pump pulley</i>
7	PS82130A10	3	Vis CHC M8X125 L16 <i>Screw CHC M8X125 L16</i>
8	PS86057A10	3	Rondelle PL 8X16X1 <i>Washer PL 8X16X1</i>
9	PS82079A10	3	Vis CHC M8 L30 <i>Screw CHC M8 L30</i>
10	PS86019A10	2	Rondelle D8x18x1.5 <i>Washer D8x18x1.5</i>
11	9802558580	3	Vis H EMB M8x125 L35 <i>Screw H EMB M8x125 L35</i>
12	904475948A	2	Douille <i>Spacer</i>
	3211-07	1	Goupille elast 5x8 L18 <i>Elastic Pin 5x8 L18</i>



REP	REFERENCE	QTE	DESIGNATION
14	904606558A	1	Radia DA <i>PS cooler</i>
15	ST00100002	1	Agrafe maint pin D12 <i>Fastening pin D12</i>
16	PS82036A10	1	Vis CHC M6x14 <i>Screw CHC M6x14</i>
17	PS74040A10	1	Ecrou M6 SPC <i>Nut M6 SPC</i>
18	PS73682A10	2	Ecrou dash 8 <i>Nut dash 8</i>
19	904606528A	1	Tuyau OUT radia DA <i>OUT PS Cooler pipe</i>
20	904606548A	1	Tuyau OUT bocal DA <i>PS Tank out pipe</i>
21	904606538A	1	Tuyau IN bocal DA <i>IN PS Tank pipe</i>
22	PS73361A10	2	SPH08 7656 BA L KR <i>SPH08 7656 BA L KR</i>
23	PS73358A10	2	SPH08 1658 BA L KR <i>SPH08 1658 BA L KR</i>
24	904605228A	1	Tuyau Radia bocal <i>Cooler to tank pipe</i>
25	401896	1	Support bocal DA <i>PS Tank bracket</i>
26	PS82156A10	2	Vis CHC M6x100 L16 <i>Screw CHC M6x100 L16</i>
27	PS86004A10	2	Rondelle ondflex D6 <i>Washer ond D6</i>
28	PS74006A10	2	Ecrou M6 PH105 <i>Nut M6 PH105</i>

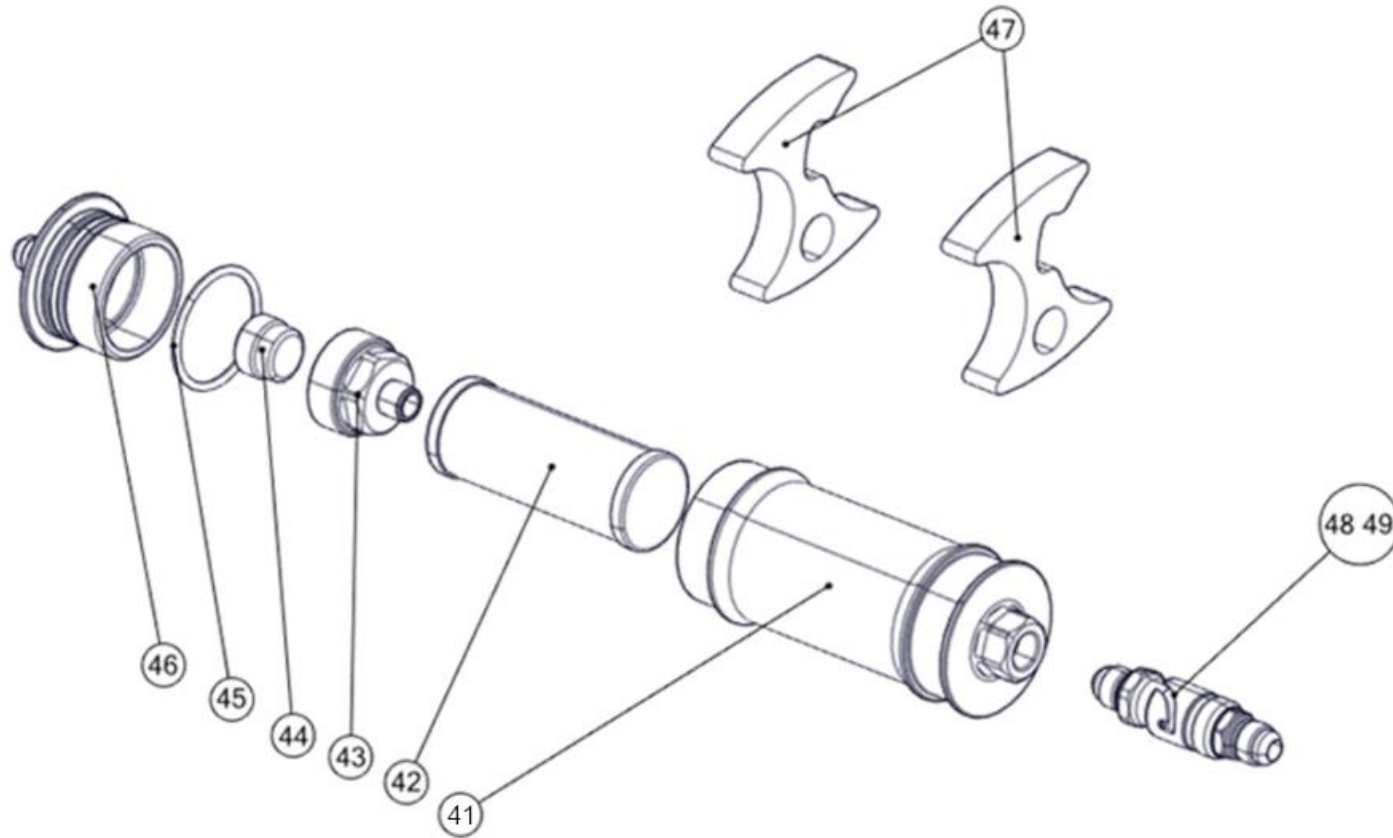
REP	REFERENCE	QTE	DESIGNATION
29	904604928A	1	Ens bocal DA <i>PS Tank</i>
30	4644-20	1	Filtre <i>filter</i>
31	9844684080	1	Bouchon bocal DA <i>PS Tank cap</i>
32	1E4242411A	1	Joint de bouchon de réservoir <i>Tank cap seal</i>
33	90344293-A	1	Ind niveau <i>Level indicator</i>
34	1606349480	1	Courroie <i>Accessory Belt</i>

*Les pièces 30 et 30' vont ensemble / Parts 30 & 30' are going together
Ne pas utiliser le joint 30' avec l'ancienne ref de bouchon 4009H1 / do not
use the seal 30' with the previous spec of cap 4009H1*



REP	REFERENCE	QTE	DESIGNATION
7	PS82130A10	3	Vis CHC M8X125 L16 <i>Screw CHC M8X125 L16</i>
35	904606488A	1	Tuyau OUT PPE DA <i>OUT PS pump pipe</i>
36	904606498A	1	Tuyau IN valve DA <i>IN PS valve pipe</i>
37	904606508A	1	Tuyau OUT VALVE DA <i>OUT PS valve pipe</i>
38	904606598A	2	Support TUYAU DA <i>PS pipe bracket</i>
39	904482758A	1	Bride DA HP BP <i>HP/LP PS flange</i>
40*	ST03600360	2	Joint torique <i>O-ring</i>

* : Remplace le joint et la bague / Replace o-ring and back up ring



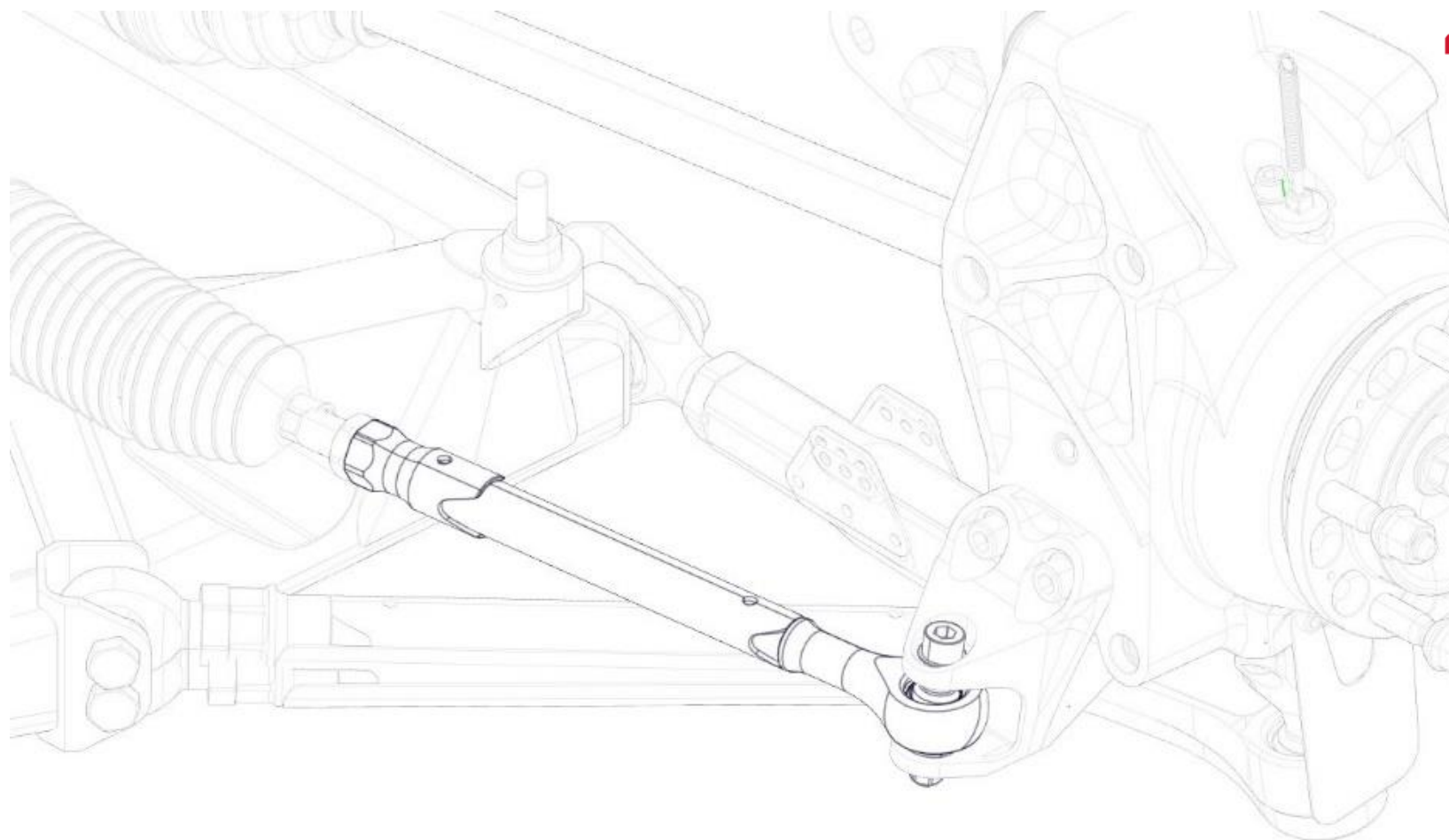
REP	REFERENCE	QTE	DESIGNATION
41	904605178B	1	Boitier filtre DA <i>PS filter housing</i>
42	PS02519A10	1	Cartouche filtrante <i>PS Filter</i>
43	904605208B	1	Support clapet DA <i>PS check valve support</i>
44	ST06100002	1	Clapet anti retour (terre) <i>Check valve (gravel)</i>
45	CS360040ST	1	Joint torique 39.34x2.62 <i>O-ring 39.34x2.62</i>
46	904605188B	1	Couvercle filtre DA <i>PS filter housing cap</i>
47	904605218B	2	Support filtre DA <i>PS filter bracket</i>
48	ST04100036	1	SPH05 1655 BA IA <i>SPH05 1655 BA IA</i>
49	ST04100037	1	SPH05 7655 BA IA <i>SPH05 7655 BA IA</i>
50	1615099680	1	Liquide hydraulique LDS 1L <i>LDS hydraulic fluide 1L</i>

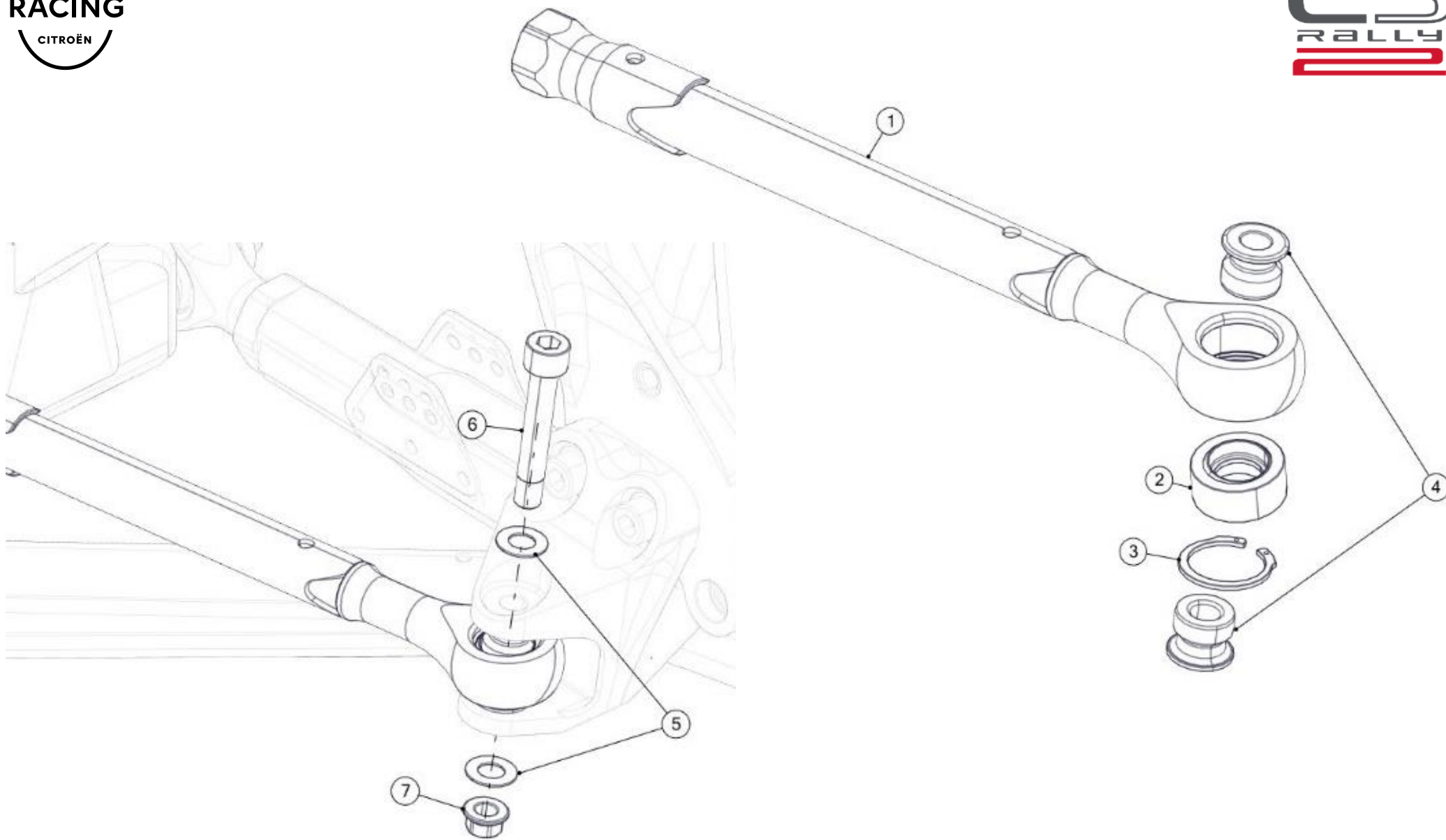
E44

BIELLETTE DE DIRECTION

STEERING ROD







REP	REFERENCE	QTE	DESIGNATION
1	904475068B	2	Biellette de direction <i>Steering rod</i>
2	904475158A	2	Rotule Pt M avant <i>Ball joint front Pt M</i>
3	ST00600007	2	Circlips intérieur JV30 <i>Internal circlips JV30</i>
4	904475138B	4	Entretoise Pt M <i>Spacer Pt M</i>
5	PS86538A10	4	Rondelle ø10 B <i>Washer ø10 B</i>
6	904475318A	2	Vis Pt M Asph M10x150 L60 <i>Screw Pt M tarmac M10x150 L60</i>
7	PS74014A10	2	Ecrou M10x150 Embase <i>Nut M10x150</i>

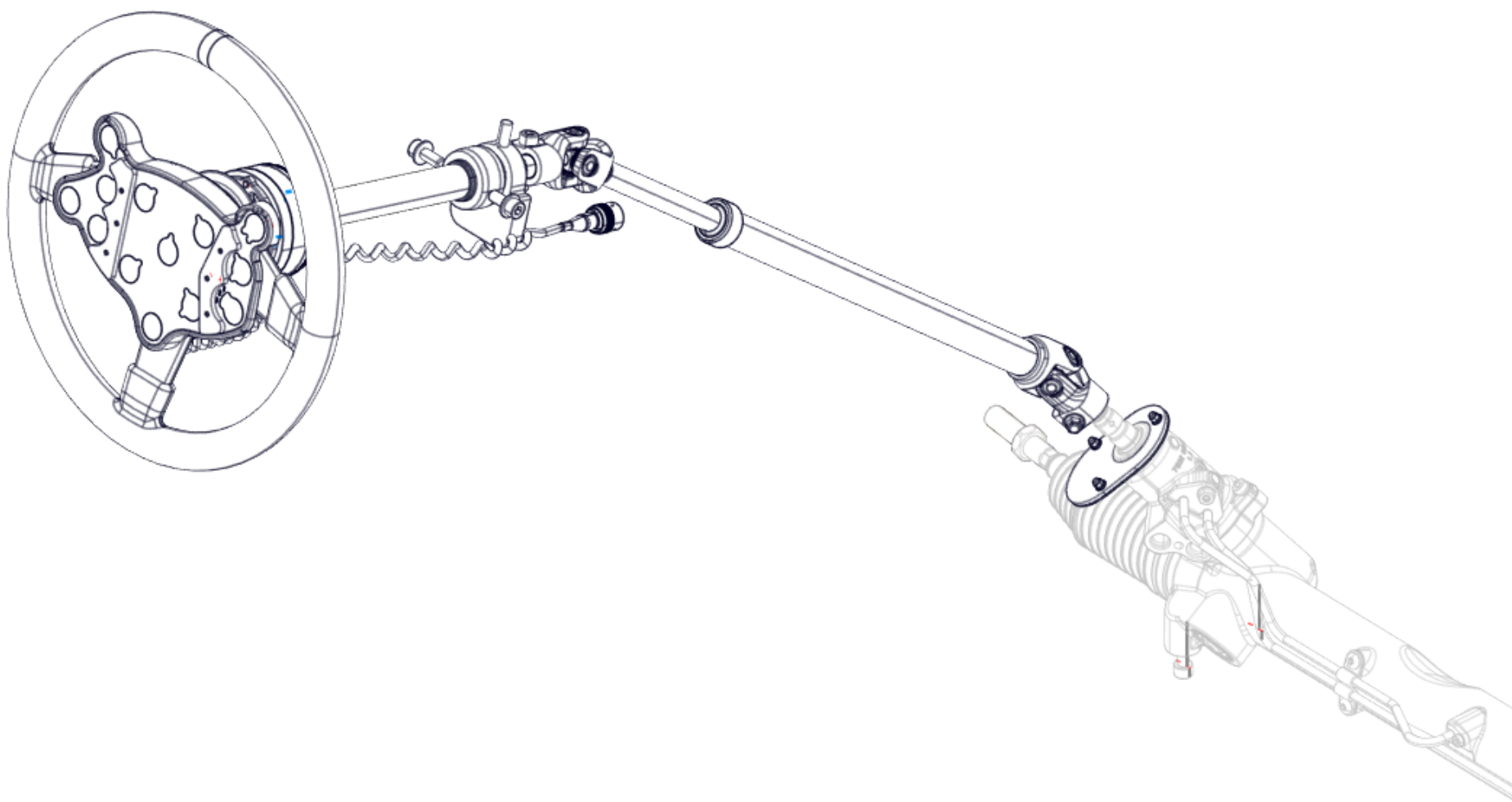


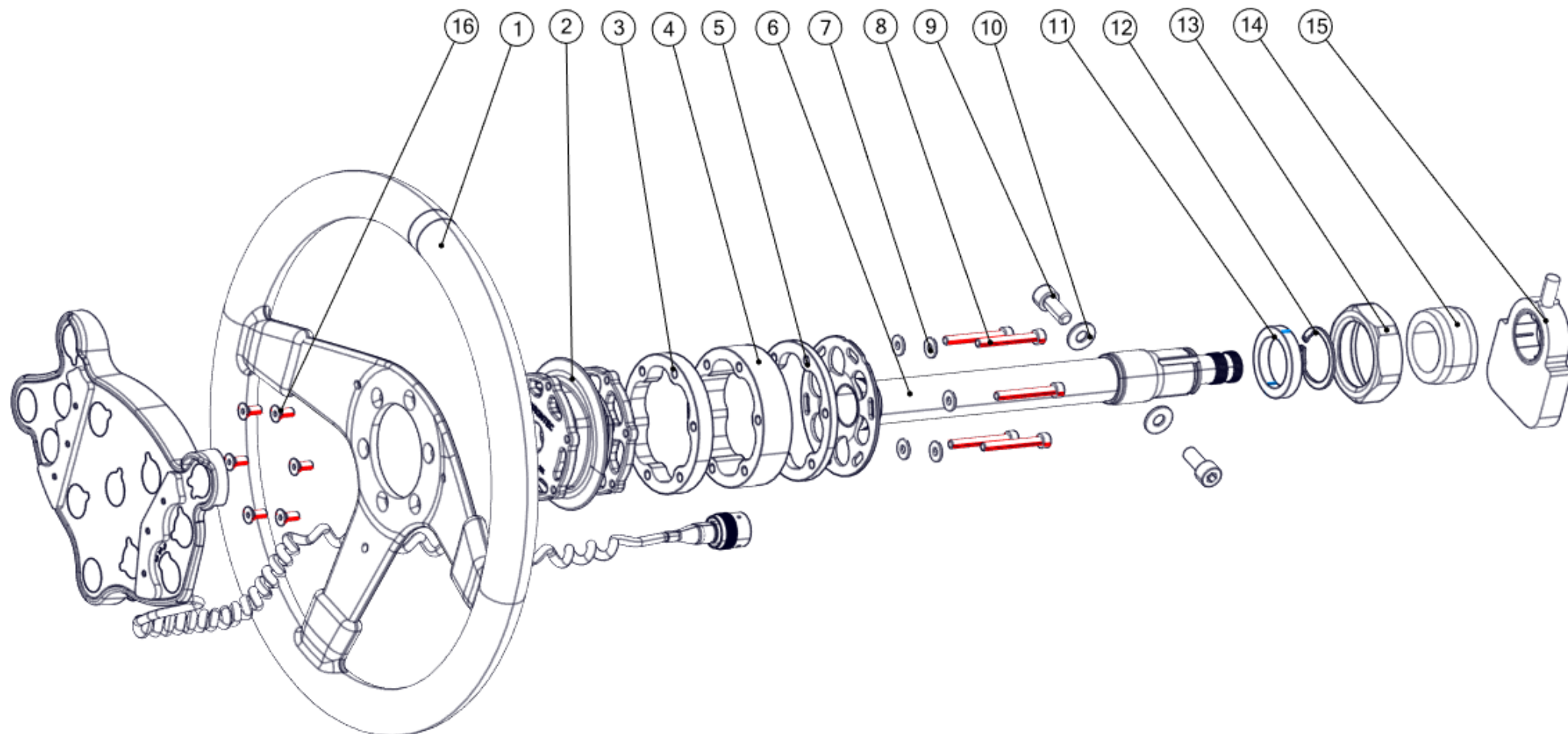
E45

COLONNE DE DIRECTION

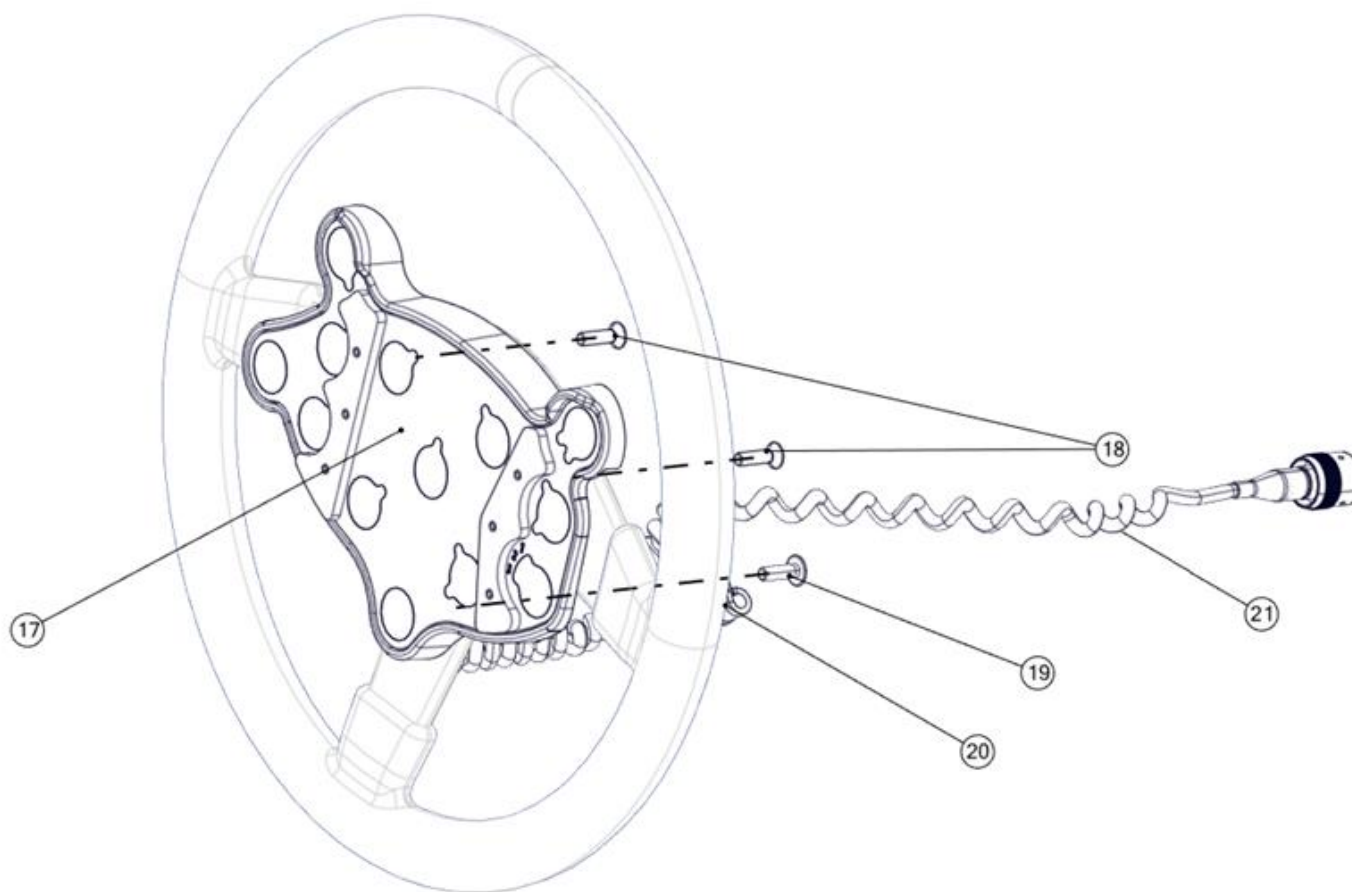
STEERING COLUMN



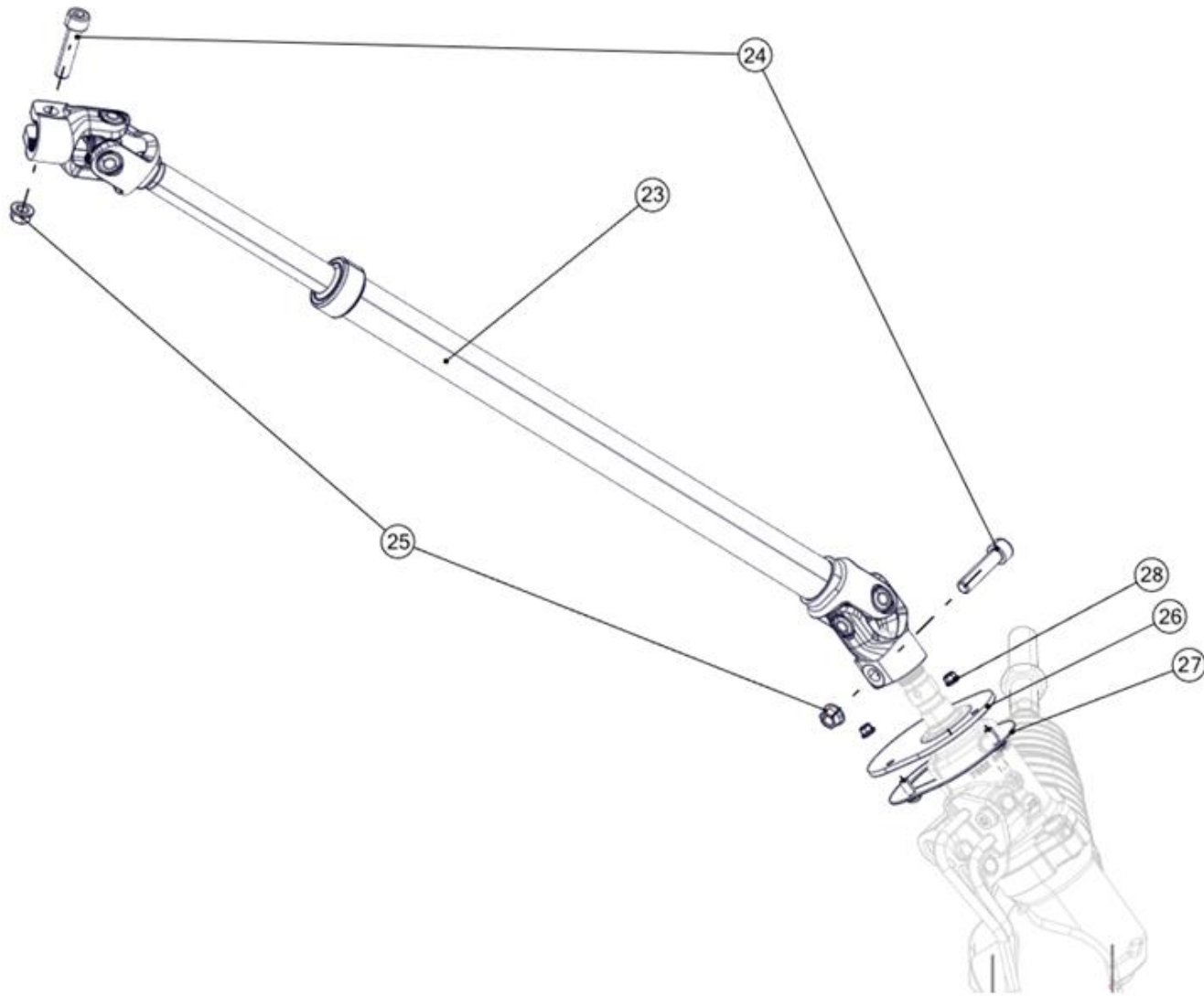




REP	REFERENCE	QTE	DESIGNATION
1	904616798B	1	Volant 330mm Alu percé <i>Steering wheel C3R5</i>
2	PS97716A10	1	Quick release KRONTEC <i>Quick release KRONTEC</i>
3	904488088A	1	Cale volant EP10mm <i>Steering wheel spacer 10mm</i>
4	904488098A		Cale volant EP20mm <i>Steering wheel spacer 20mm</i>
5	904488078A		Cale volant EP5mm <i>Steering wheel spacer 5mm</i>
6	904488038A	1	ENS arbre primaire <i>Steering column primary shaft</i>
7	PS86046A10	6	Rondelle 5 D12 E1.2 <i>Washer 5 D12 E1.2</i>
8	PS82516A10	6	VIS CHC M5x10 <i>Screw CHC M5x10</i>
9	PS82031A10	2	Vis CHC M8 L20 <i>Screw CHC M8 L20</i>
10	PS86019A10	2	Rondelle D8x18x1.5 <i>Washer D8x18x1.5</i>
11	CS460056ST	1	RLT billes D30x4.2x7 <i>Ball bearing D30x4.2x7</i>
12	PS72070A10	1	Clips INV EXT D30 <i>clips INV EXT D30</i>
13	904488108A	1	Ecrou colonne <i>column nut</i>
14	CS460044ST	1	Roulement DELTAFLEX <i>DELTAFLEX ball bearing</i>
15	4545H8	1	Capteur angle volant <i>steering sensor</i>
16	PS85557A10	6	Vis FHC90 M5-12-12.9 <i>screw FHC90 M5 12 12.9</i>



REP	REFERENCE	QTE	DESIGNATION
17	904615588E	1	Boitier volant + spirale volant <i>Steering panel + SW loom</i>
18	PS85127A10	2	Vis FHC M5x18 <i>Screw FHC M5x18</i>
19	PS82635A10	1	Vis ULF M5 L16 <i>Screw ULF M5 L16</i>
20	ST01600014	1	Collier norma D6 L15 <i>Norma clamp D6 L15</i>
21	904601998D	1	Spirale volant <i>Steering wheel loom</i>
22	904618888A	1	Support spirale <i>SW loom bracket</i>

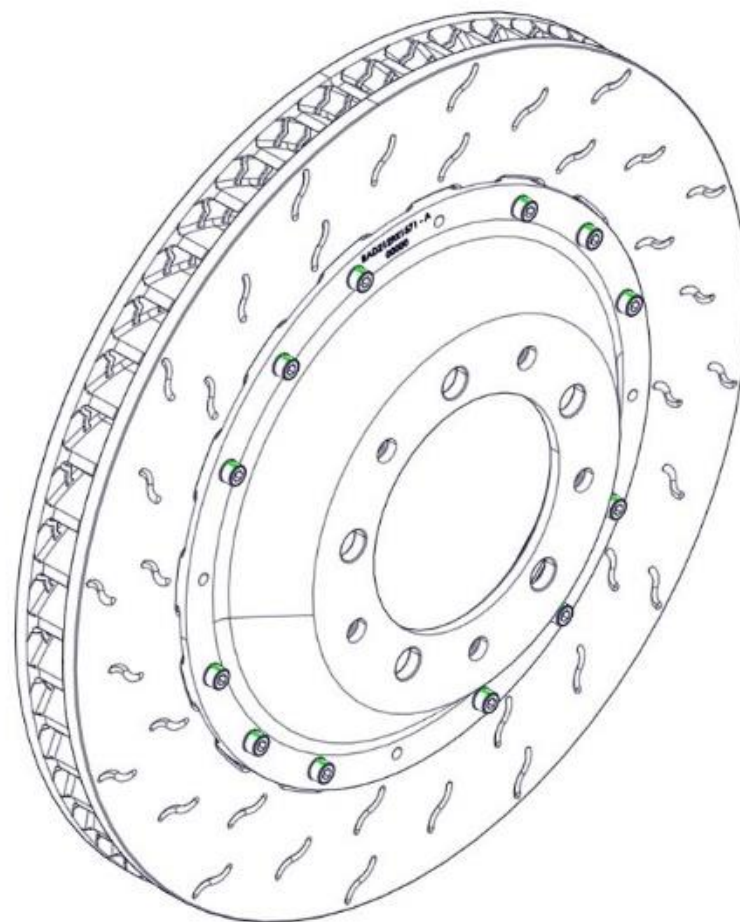


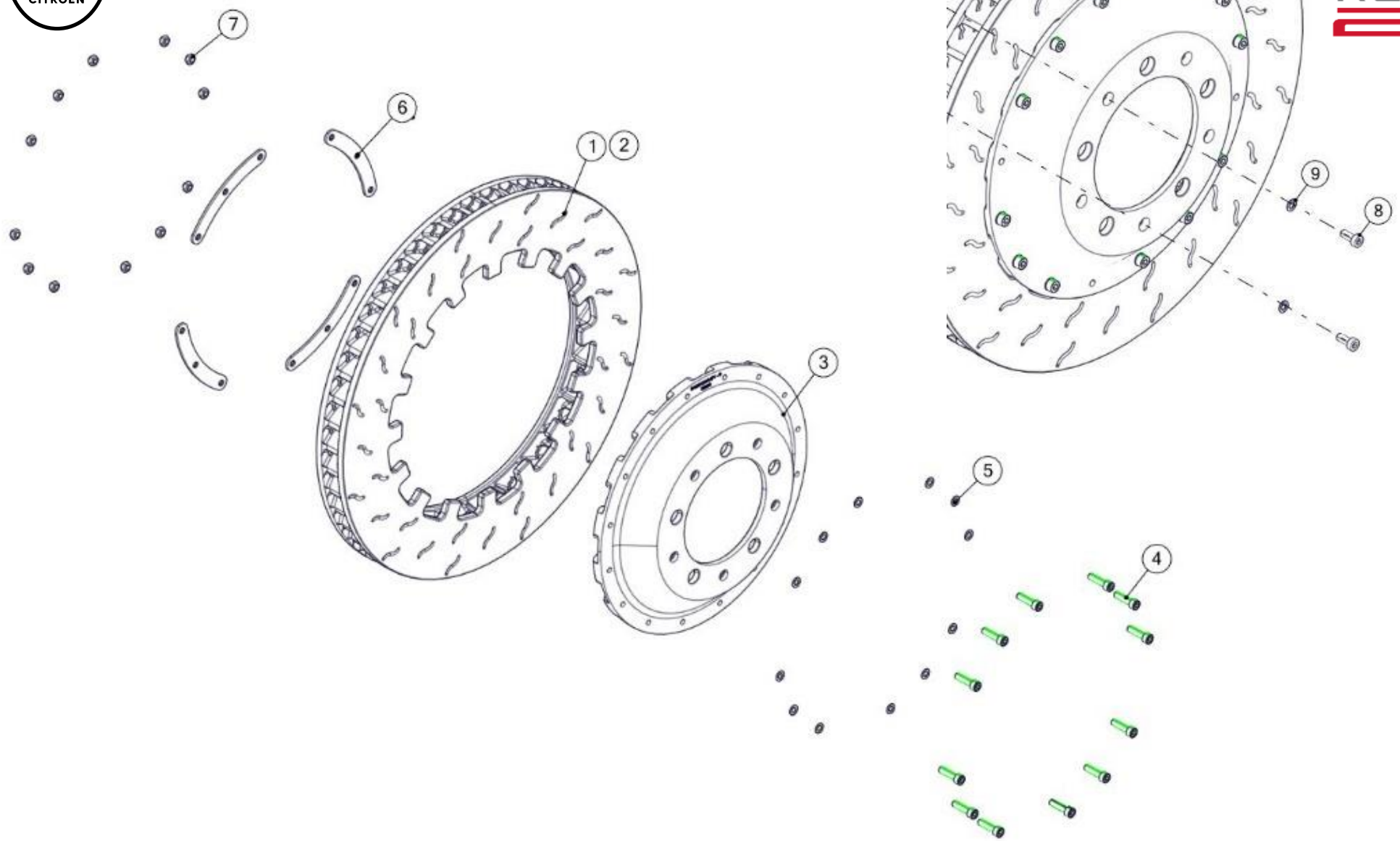
REP	REFERENCE	QTE	DESIGNATION
23	904488028A	1	Ens arbre secondaire <i>Steering column slider</i>
24	PS82082A10	2	Vis CHC M8x35 <i>Sscrew CHC M8x35</i>
25	RC17705-25	2	Ecrou simloc HM8 <i>Simloc nut HM8</i>
26	904476528A	1	Joint valve tablier <i>PS Valve gasket</i>
27	904476538A	1	Bride joint valve <i>PS Valve gasket clamp</i>
28	6939-01	3	Ecrou simloc 5PH135M <i>Simloc nut 5PH135M</i>



F11 – F31
DISQUES DE FREIN - ASPHALTE & TERRE
BRAKE DISCS - TARMAC & GRAVEL







REP	REFERENCE	QTE	DESIGNATION
1	904677808A	2	Disque frein DROIT Asphalte EVO <i>Tarmac Right brake disc EVO</i>
2	904678498A	2	Disque frein GAUCHE Asphalte EVO <i>Tarmac Left brake disc EVO</i>
1'	904677818A	2	Disque frein DROIT Terre EVO <i>Gravel Right brake disc EVO</i>
2'	904678508A	2	Disque frein GAUCHE Terre EVO <i>Gravel Left brake disc EVO</i>
3	904477118C	4	Bol disque de frein Asphalte <i>Tarmac brake disc bell</i>
3'	904677828A*	4	Bol disque de frein Terre EVO <i>Gravel brake disc bell EVO</i>
4	PS82007A10	48	Vis CHC M5x20 <i>CHC Screw M5x20</i>
5	PS86001A10	48	Rondelle Ø5 <i>Washer Ø5</i>
6	903891758A	16	Patte blocage bol disque Asphalte <i>Tarmac disc bell locking plate</i>
6'	903891768A	16	Patte blocage bol disque terre <i>Gravel disc bell locking plate</i>
7	1F1125309A	48	Ecrou fixation disque frein <i>Brake disc fixing nut</i>
8	PS85063A10	8	Vis UFK M5x12 <i>Screw UFK M5x12</i>
9	PS86569A10	8	Rondelle SPS 5x8.5x0.6 <i>Washer SPS 5x8.5x0.6</i>

* Les bols EVO terre se montent uniquement avec les disques EVO terre

* EVO gravel disc bells only fit with EVO gravel discs



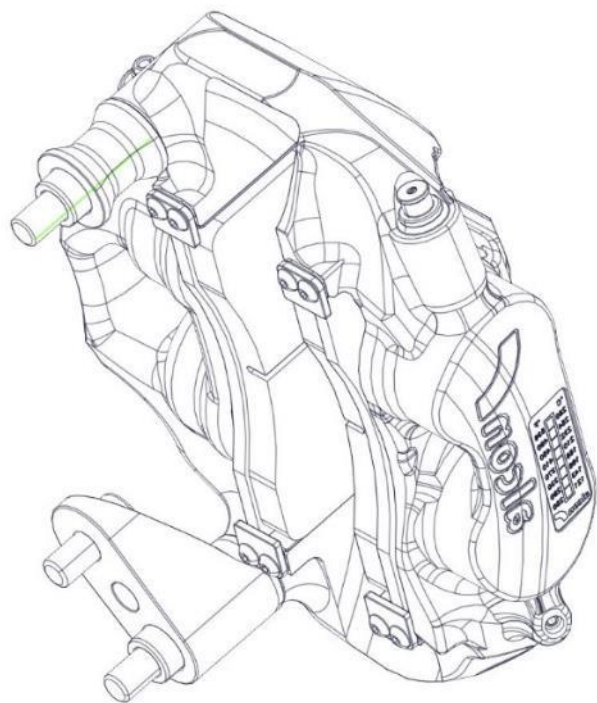
F21 – F41

ETRIERS FREIN - ASPHALTE & TERRE

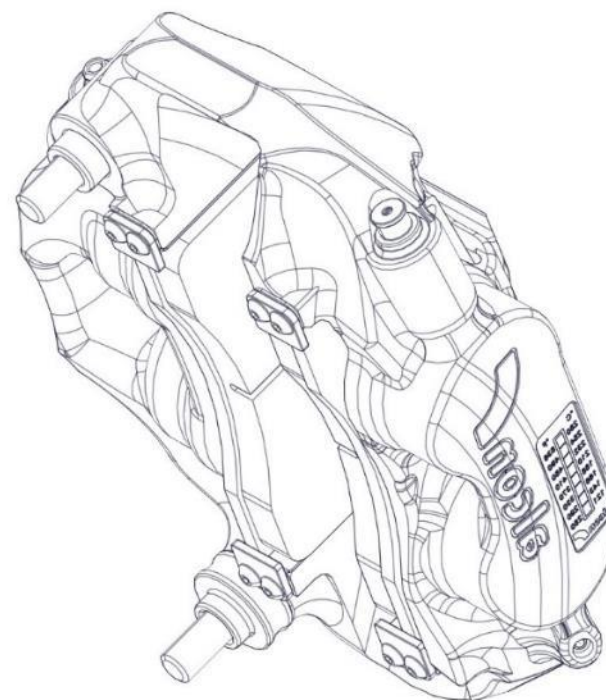
BRAKE CALIPERS - TARMAC & GRAVEL



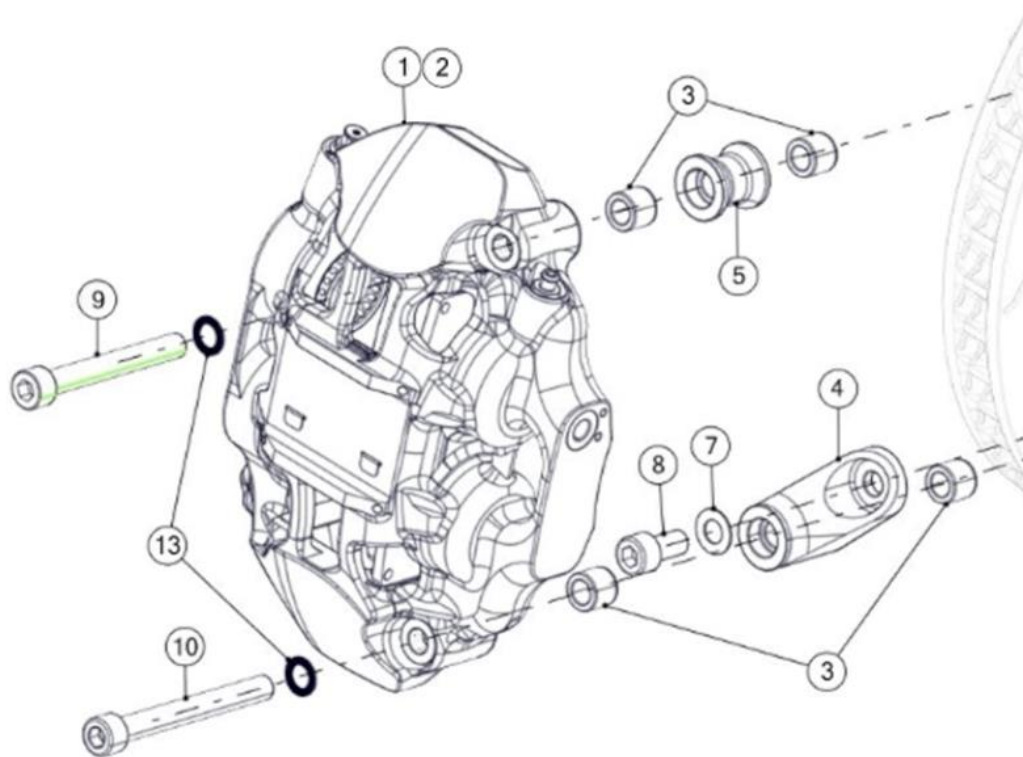
Asphalte
Tarmac



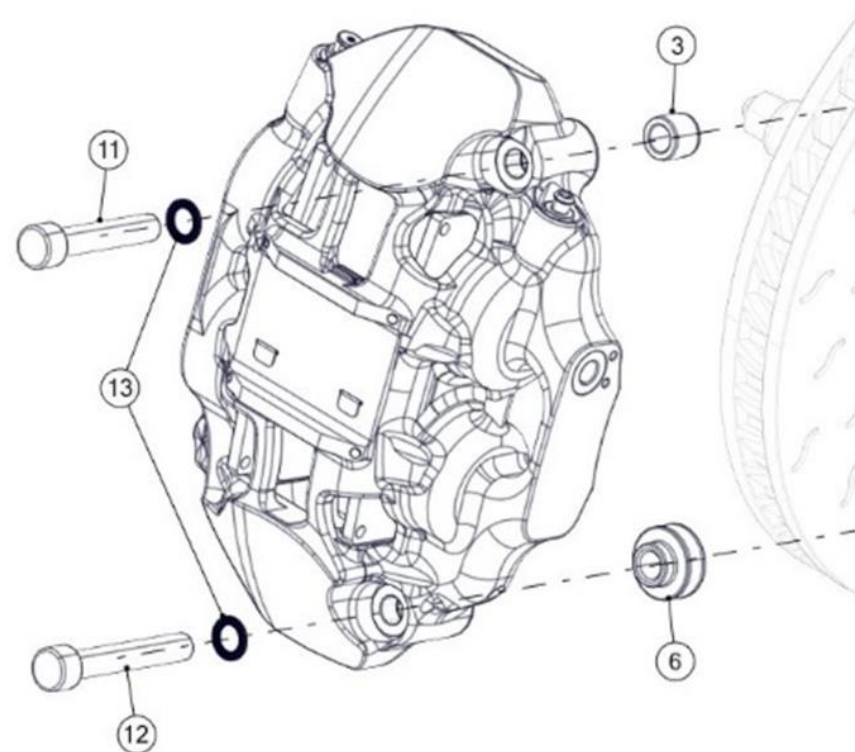
Terre
Gravel



Asphalte *Tarmac*



Terre *Gravel*



REP	REFERENCE	QTE	DESIGNATION
ETRIERS / Calipers			
1	904480788B	2	Etrier frein DROIT <i>Right brake caliper</i>
2	904480798B	2	Etrier frein GAUCHE <i>Left brake caliper</i>

* : non représenté / not represented

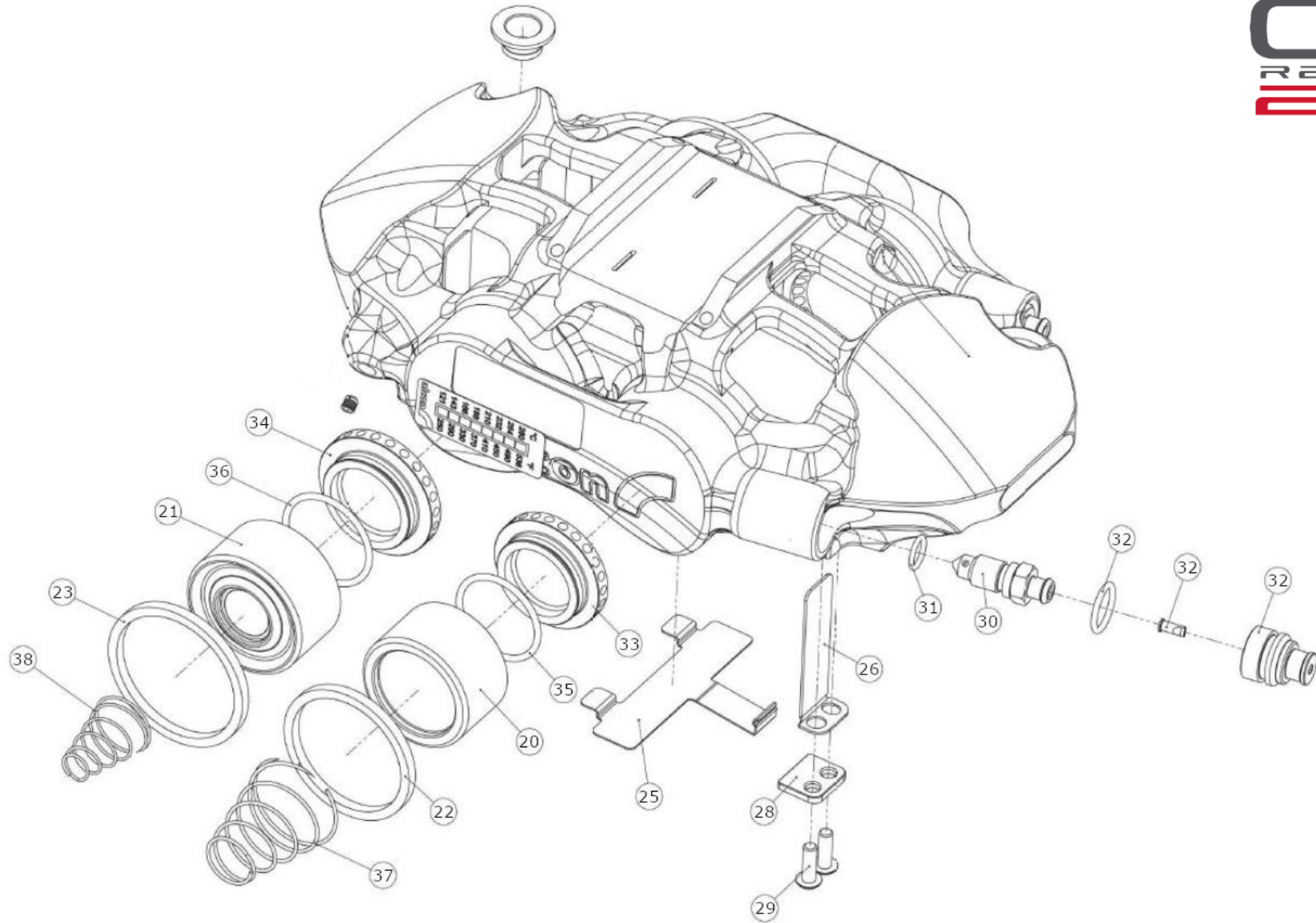
REP	REFERENCE	QTE	DESIGNATION
PLAQUETTES (jeu de 4) / Pads (set of 4)			
14	904481488A*	1	Base Asphalte – CL RC8-R <i>Tarmac base – CL RC8-R</i>
15	904481468A		Option Asphalte - Endless N105SP <i>Tarmac Option - Endless N105SP</i>
16	1F2164749B*		Base Terre – CL C01R <i>Gravel base – CL C01R</i>

*Base = livré dans sur voiture neuve

*Base = delivered on new cars

FIXATION ETRIER ASPH / Tarmac caliper fitting			
3	904475508A	4	Centreur Ø16-10x13.5 <i>Locating Ø16-10x13.5</i>
4	904475538B	1	Cale inférieure étrier Asphalte <i>Tarmac lower caliper spacer</i>
5	904475528A	1	Cale supérieure étrier Asphalte <i>Tarmac upper caliper spacer</i>
7	PS86538A10	1	Rondelle SPS ø10 <i>Washer SPS ø10</i>
8	PS86571A10	1	Vis CHC M10x20 cl12.9 <i>Screw CHC M10x20 cl12.9</i>
9	PS82538A10	1	Vis CHC M10x80 cl12.9 <i>Screw CHC M10x80 cl12.9</i>
10	PS82150A10	1	Vis CHC M10x90 cl12.9 <i>Screw CHC M10x90 cl12.9</i>
13	PS86571A10	2	Rondelle SPS ø10x16x1 <i>Washer SPS ø10x16x1</i>
<i>Qté pour 1 étrier / Qty for 1 caliper</i>			

FIXATION ETRIER TERRE / Gravel caliper fitting			
3	904475508A	1	Centreur Ø16-10x13.5 <i>Locating Ø16-10x13.5</i>
6	904475518A	1	Cale inférieure étrier Terre <i>Gravel lower caliper spacer</i>
11	PS82145A10	1	Vis CHC M10x55 cl12.9 <i>Screw CHC M10x55 cl12.9</i>
12	PS82147A10	1	Vis CHC M10x65 cl12.9 <i>Screw CHC M10x65 cl12.9</i>
13	PS86571A10	2	Rondelle SPS ø10x16x1 <i>Washer SPS ø10x16x1</i>
<i>Qté pour 1 étrier / Qty for 1 caliper</i>			



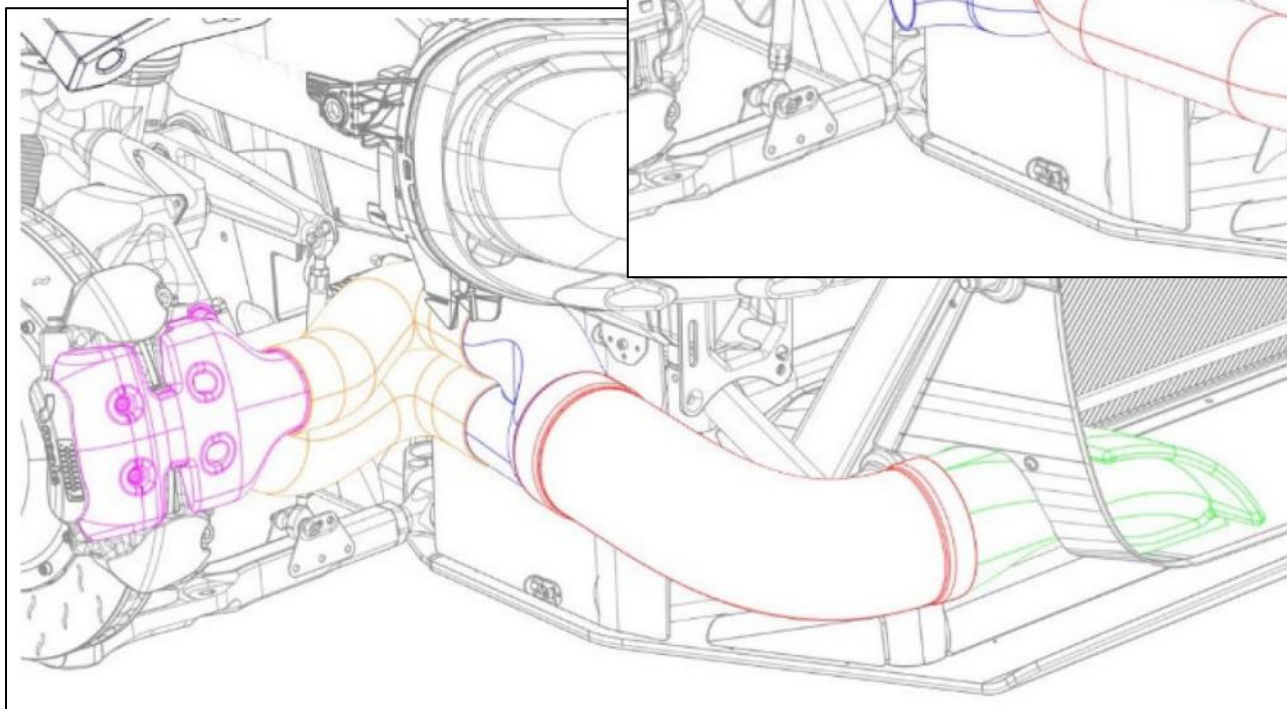
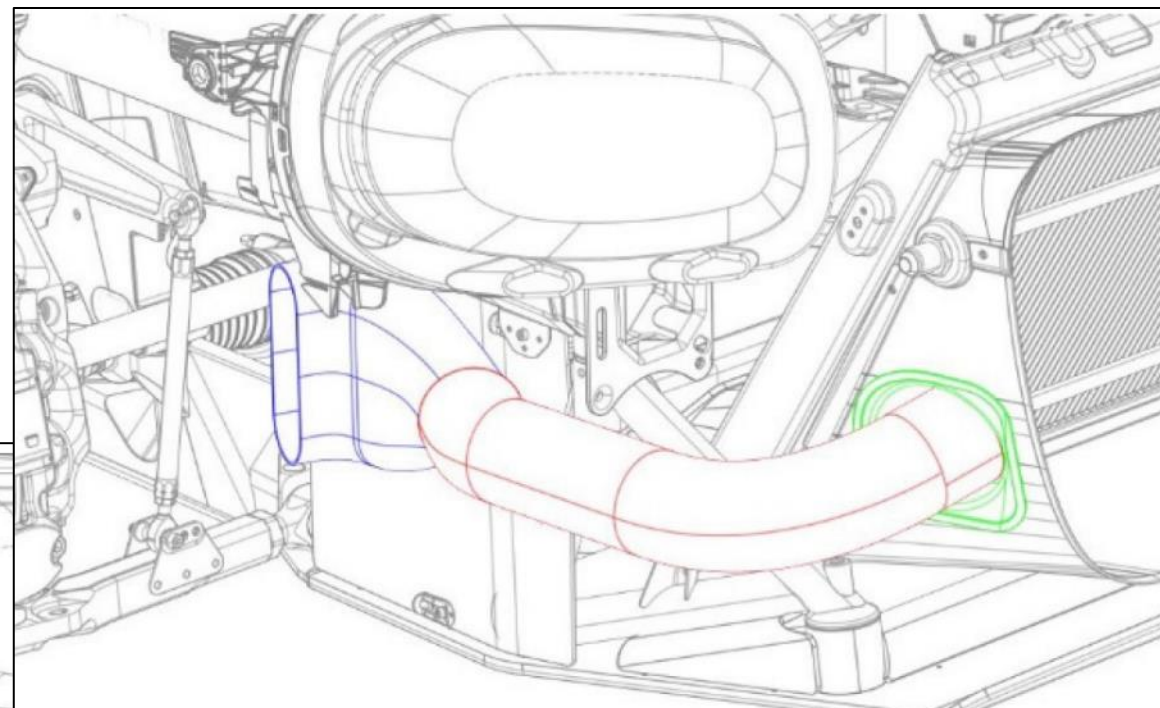
REP	REFERENCE	QTE	DESIGNATION
20	1F2128266A	4	Piston D38.1 <i>Piston D38.1</i>
21	1F2128267A	4	Piston D41.3 <i>Piston D41.3</i>
22	1F2128268A	4	Joint D38.1 <i>Seal D38.1</i>
23	90348234-A	4	Joint D41.3 <i>Seal 41.3</i>
24	904620538B	1	Graisse OptiTemp 1000 - 20ml <i>Optitemp 1000 grease - 20ml</i>
25	1F2128272A	2	Plaquette de guidage supérieure <i>Top pad guide</i>
26	90404306-A	4	Plaquette de guidage <i>Pad guide</i>
27	1F2128275A	4	Plaquette de guidage <i>Pad guide</i>
28	1F2128277A	8	Plaquette de maintien <i>Maintaining plate</i>
29	1F2128279A	16	Vis de plaquette de maintien <i>Maintaining plate screw</i>
30	90348392-A	4	Purgeur <i>Bleed screw</i>
31	90348393-A	4	Joint de purgeur <i>Bleed screw seal</i>

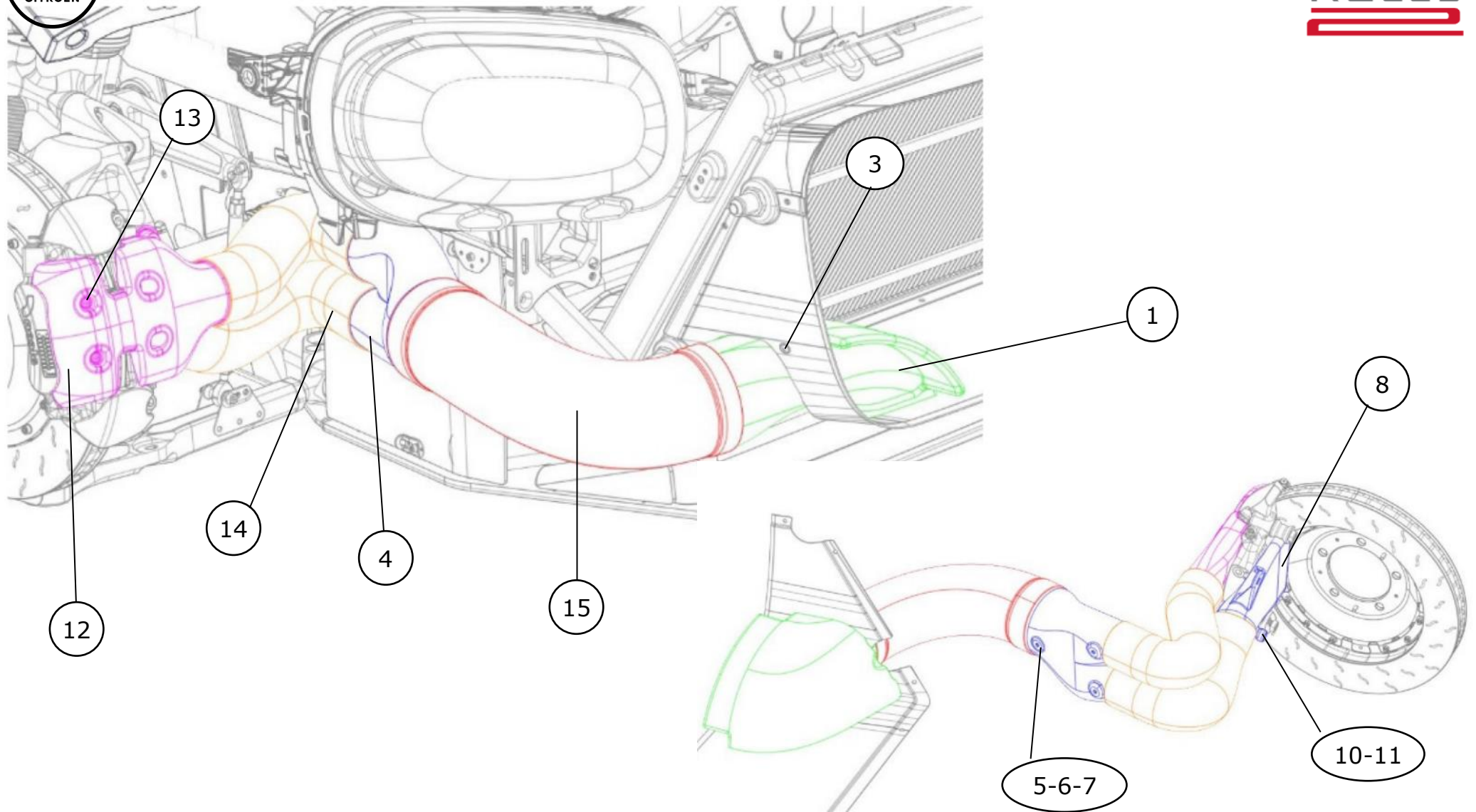
REP	REFERENCE	QTE	DESIGNATION
32	904622158A	4	Kit de protection de purgeur <i>Bleed screw protection kit</i>
33	1F2128284A	4	Insert D38.1 <i>Insert D38.1</i>
34	1F2128285A	4	Insert D41.3 <i>Insert D41.3</i>
35	1F2128286A	4	Clip D38.1 <i>Clip D38.1</i>
36	1F2128287A	4	Clip D41.3 <i>Clip D41.3</i>
37	90404301-A	4	Ressort D38.1 <i>Spring D38.1</i>
38	90404300-A	4	Ressort D41.3 <i>Spring D41.3</i>

F22

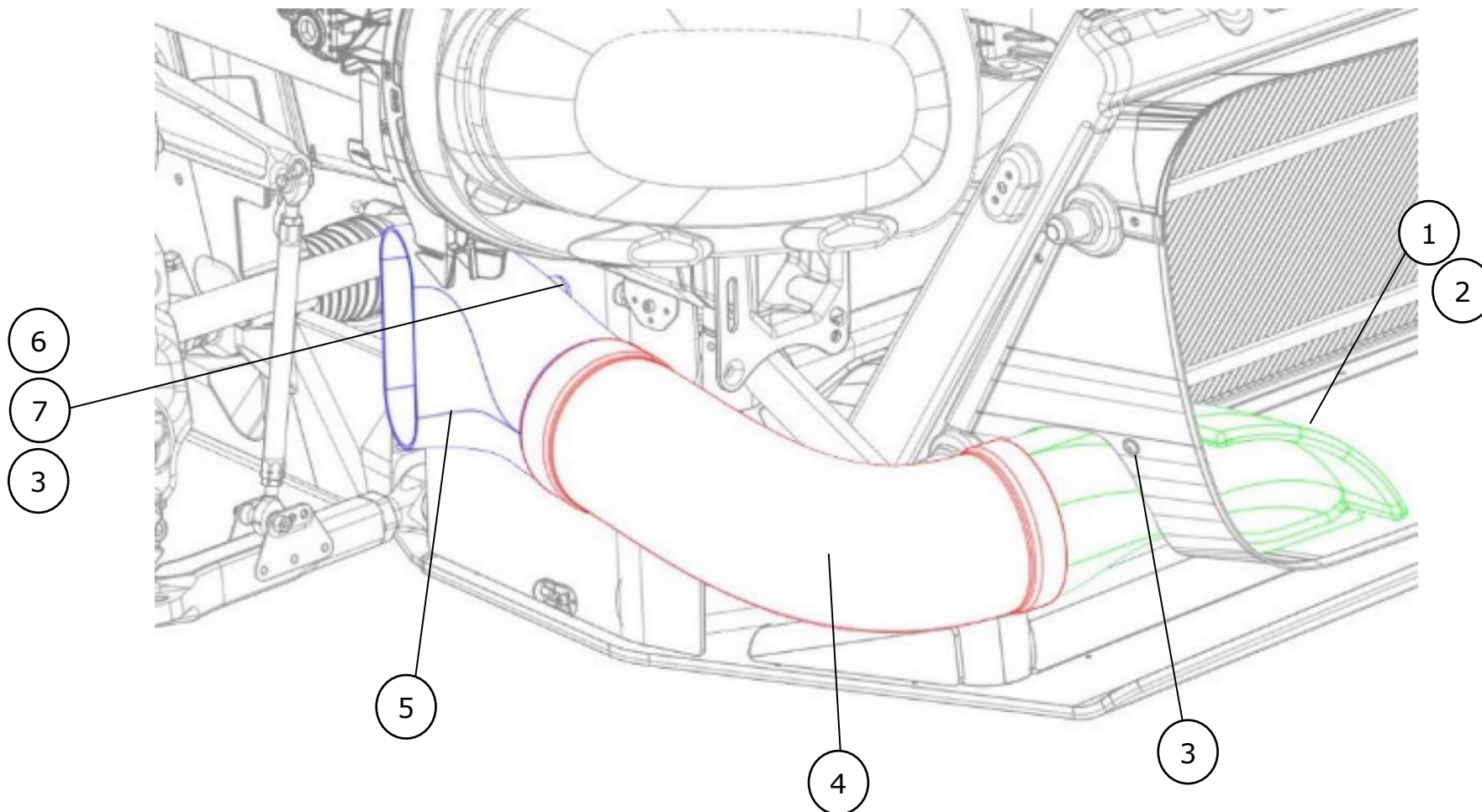
REFROIDISSEMENT FREINS *BRAKE COOLING*





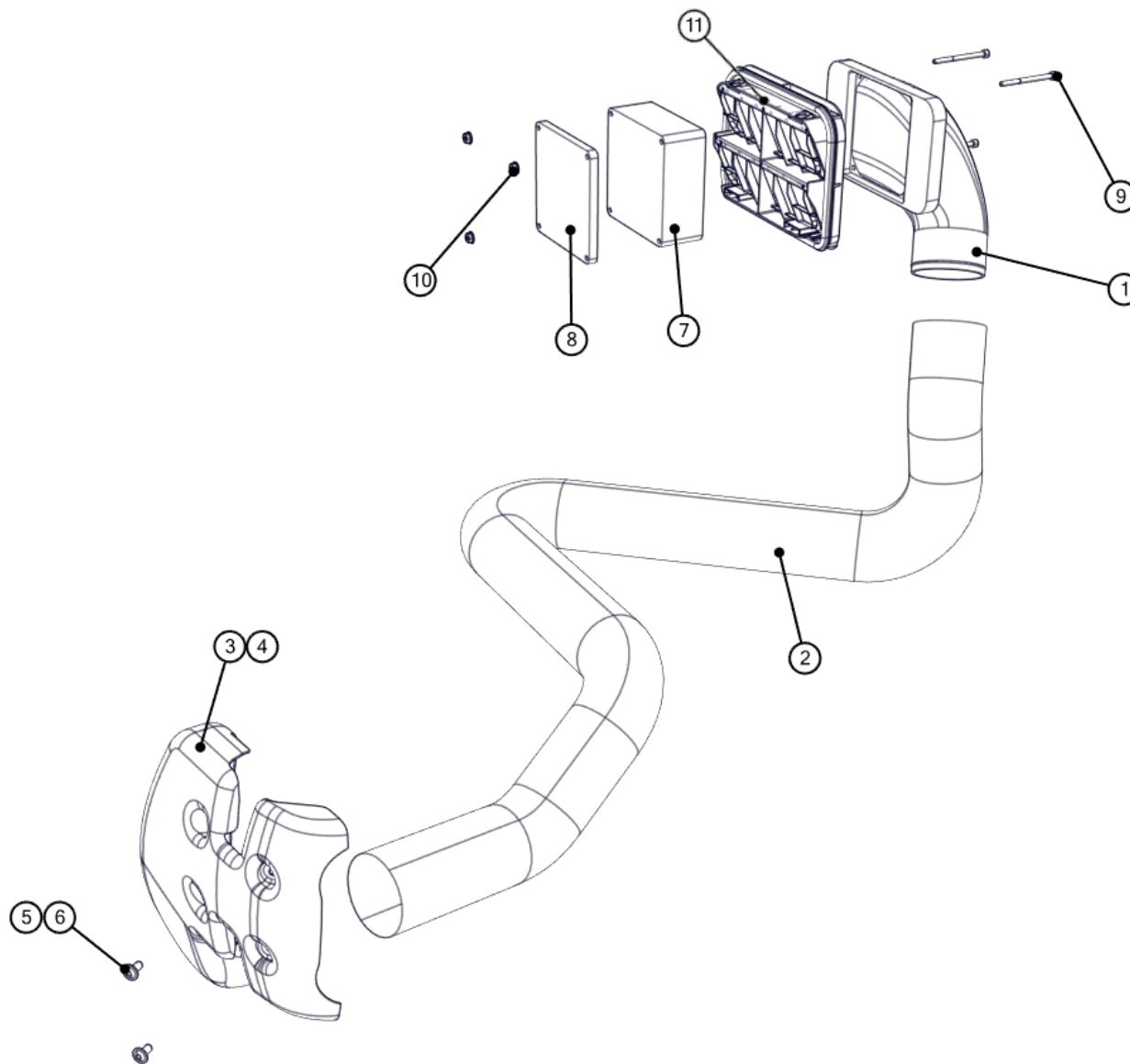


REP	REFERENCE	QTE	DESIGNATION
1	904617728B	1	ECOPE FREIN AV D <i>Front right brake duct</i>
	904617738B	1	ECOPE FREIN AV G <i>Front left brake duct</i>
3	PS82634A10	6	VIS ULF M5x12 <i>Screw ULF M5x12</i>
4	904616548B	2	Te conduit frein avant <i>Front brake T duct</i>
5	6939-01	6	Ecrou frein M5 <i>Nylstop M5</i>
6	6949-29	6	Rondelle plate Ø5x16-1,5 <i>Washer Ø5x16-1,5</i>
	PS82634A10	6	VIS ULF M5x12 <i>Screw ULF M5x12</i>
8	904614008B	1	Ecope Disque Frein Droit <i>Right brake disc scoop</i>
	904614018B	1	Ecope Disque Frein Gauche <i>Left brake disc scoop</i>
10	6947H6	2	RONDELLE PLATE 10 D22 E2,5 <i>Washer 10 D22 E2,5</i>
11	PS82094A10	2	Vis CHC M10x25 <i>Screw CHC M10x25</i>
12	904617958A	2	ECOPE ETRIER <i>Caliper scoop</i>
13	PS82084A10	8	VIS CHC M4x8 <i>Screw CHC M4x8</i>
13'	PS86546A10	8	RONDELLE PLATE D8 0.8 <i>Washer D8 E0.8</i>
14	ST08300016	2	BOA HT D65 L 1m <i>Hose D65 L 1m</i>
15	904620628A	2	DURITE REFROIDISSEMENT FREIN AV <i>Front brake cooling hose</i>



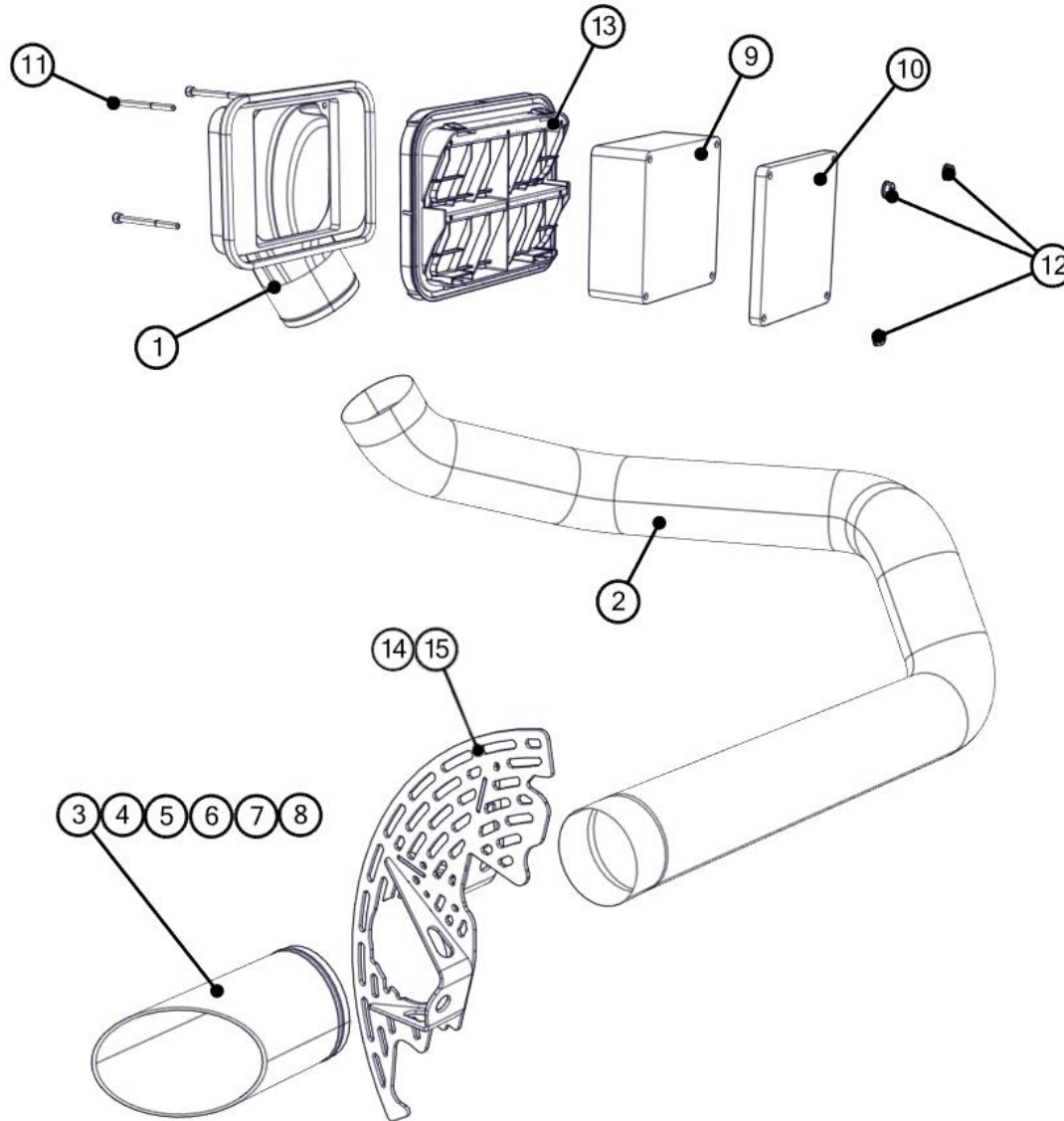
REP	REFERENCE	QTE	DESIGNATION
1	904617728B	1	ECOPE FREIN AV D <i>Front right brake duct</i>
2	904617738B	1	ECOPE FREIN AV G <i>Front left brake duct</i>
3	PS82634A10	12	VIS ULF M5x12 <i>Screw ULF M5x12</i>
4	904620628A	2	DURITE REFROIDISSEMENT FREIN AV <i>Front brake cooling hose</i>
5	904675818A	2	Ecope refroidissement frein <i>Brake cooling duct</i>
6	6939-01	6	Ecrou frein M5 <i>Nylstop M5</i>
7	6949-29	6	Rondelle plate Ø5x16-1,5 <i>Washer Ø5x16-1,5</i>

Arrière Asphalt / Rear Tarmac



REP	REFERENCE	QTE	DESIGNATION
1	904674588A	2	ASPI REFROIDISSEMENT FREIN AR <i>Rear brakes cooling scoop</i>
2	ST08300019	2	GAINE BOA HT D65 L2M <i>Hose D65 2M</i>
3	904632788B	1	ECOPE FREIN ARD <i>RR Caliper scoop</i>
4	904632798B	1	ECOPE FREIN ARG <i>RL Caliper scoop</i>
5	PS82084A10	8	Vis CHC M4x8 cl12.9 <i>CHC Screw M4x8</i>
6	PS86546A10	8	RONDELLE PLATE 4 D10 E0.8 <i>Washer D4x10</i>
7	904676988F	2	VENTILATEUR FREIN AR CABLE SANYO <i>Sanyo wired rear brakes fan</i>
8	904674598A	2	GRILLE VENTILATEUR <i>Fan protection grill</i>
9	ST05300069	6	VIS CHC M4X55 <i>CHC Screw M4x55</i>
10	CS230045ST	6	ECROU AUTOBLOQUANT A EMBASE D4 <i>Self locking nut D4</i>
11	8580AA	2	EXTRACTEUR D'AIR AR <i>Rear Air extractor</i>
*	904646318C	1	FAISCEAU VENTILATEURS FREINS AR <i>Rear brakes fan loom</i>

Arrière Terre / Rear Gravel



REP	REFERENCE	QTE	DESIGNATION
1	904674588A	2	ASPI REFROIDISSEMENT FREIN AR <i>Rear brakes cooling scoop</i>
2	ST08300019	2	GAINE BOA HT D65 L2M <i>Hose D65 2M</i>
3	904632828B	1	MANCHON REFROID FREIN ARD <i>RR cooling duct</i>
4	904632838B	1	MANCHON REFROID FREIN <i>RL cooling duct</i>
5	PS82117A10	2	Vis CHC M4 lg14 <i>CHC screw M4x14</i>
6	PS86043A10	2	Rondelle 4x16 ep 1 <i>Washer 4x16</i>
7	PS74113A10	2	Ecrou flottant <i>Anchor Nut M4</i>
8	PS92502A10	4	Rivet <i>Rivet</i>
9	904676988F	2	VENTILATEUR FREIN AR CABLE SANYO <i>Sanyo wired rear brakes fan</i>
10	904674598A	2	GRILLE VENTILATEUR <i>Fan protection grill</i>
11	ST05300069	6	VIS CHC M4X55 <i>CHC Screw M4x55</i>
12	CS230045ST	6	ECROU AUTOBLOQUANT A EMBASE D4 <i>Self locking nut D4</i>
13	8580AA	2	EXTRACTEUR D'AIR AR <i>Rear Air extractor</i>
14	904487508B	1	Pare pierre D <i>Right stone protector</i>
15	904487518B	1	Pare pierre G <i>Left stone protector</i>
*	904646318C	1	FAISCEAU VENTILATEURS FREINS AR <i>Rear brakes fan loom</i>

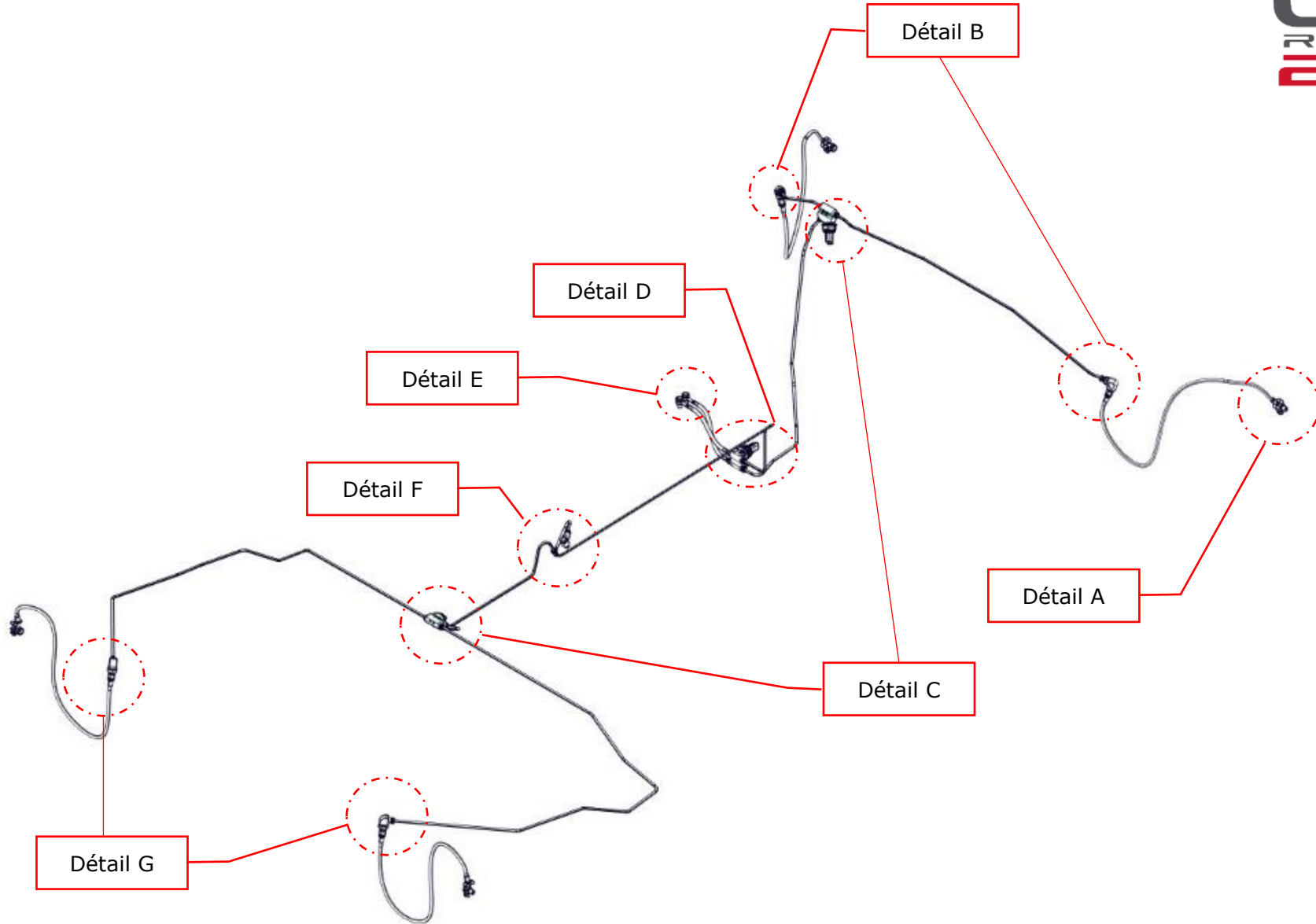


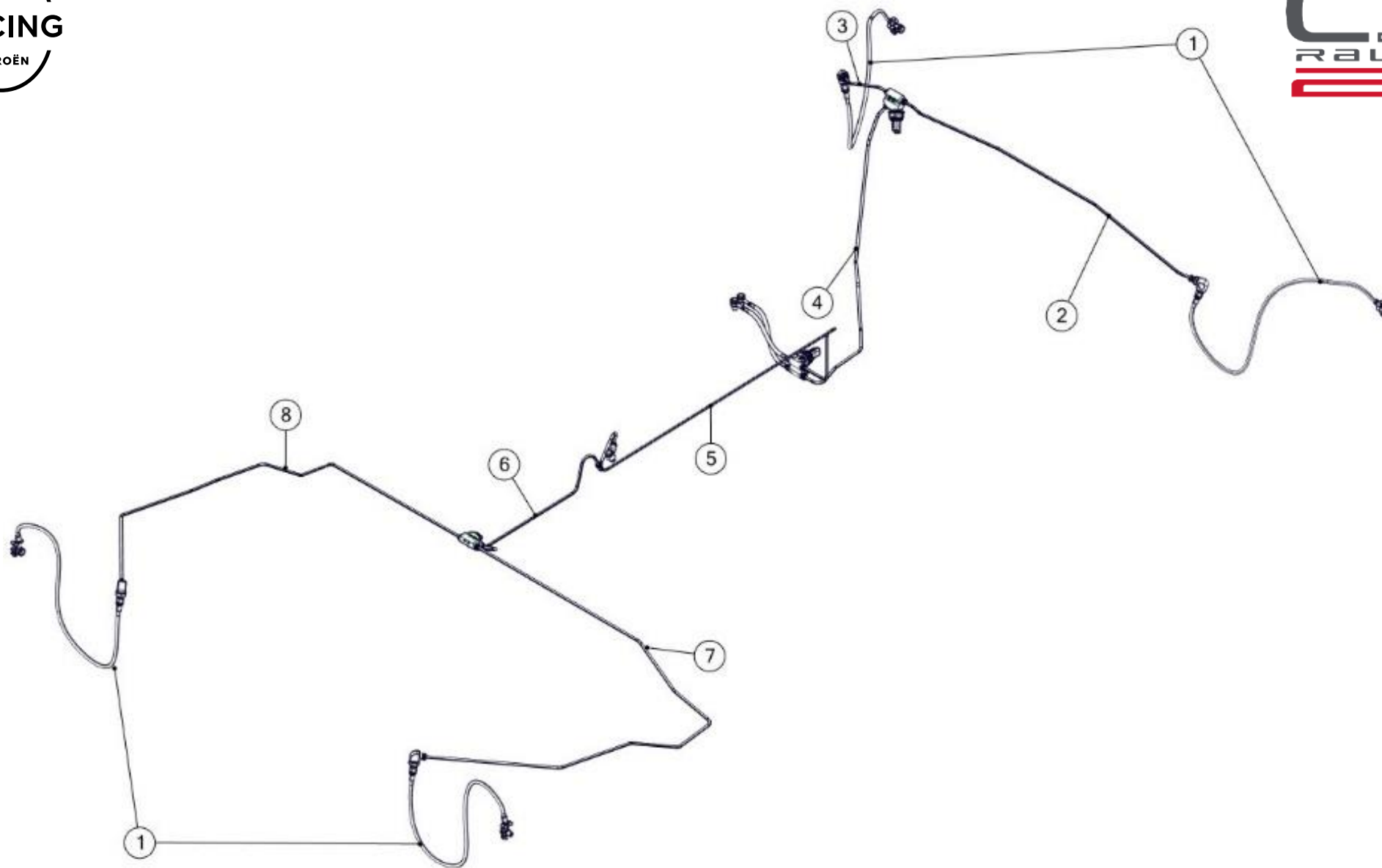
F63

CIRCUIT DE FREINAGE

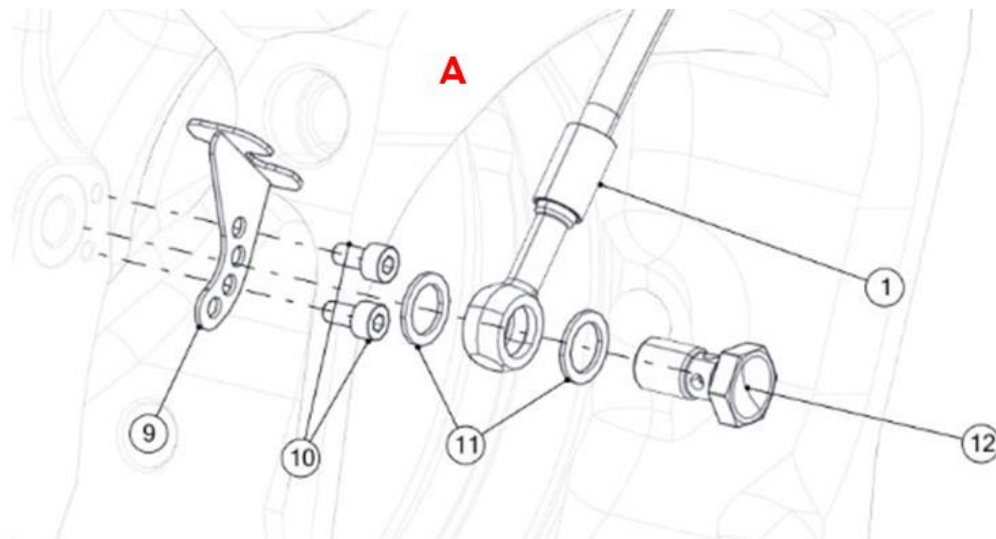
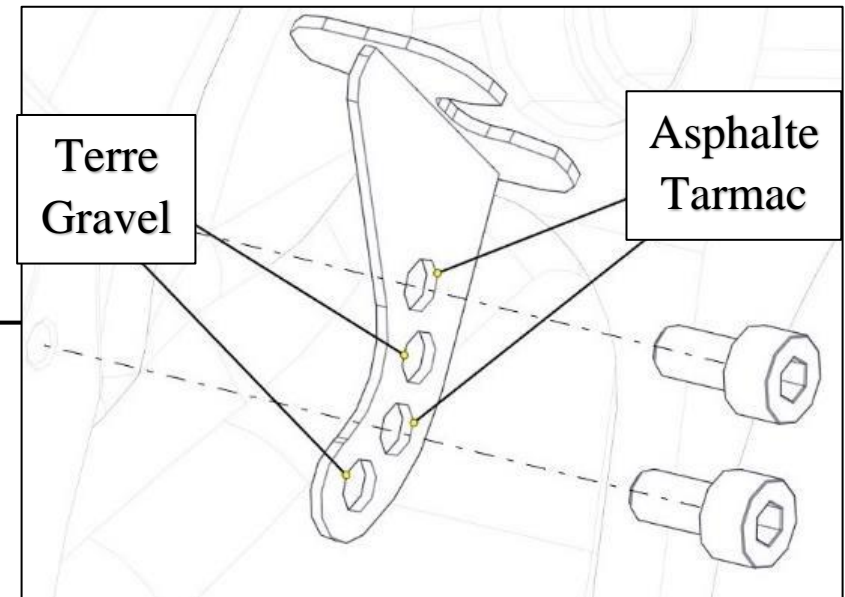
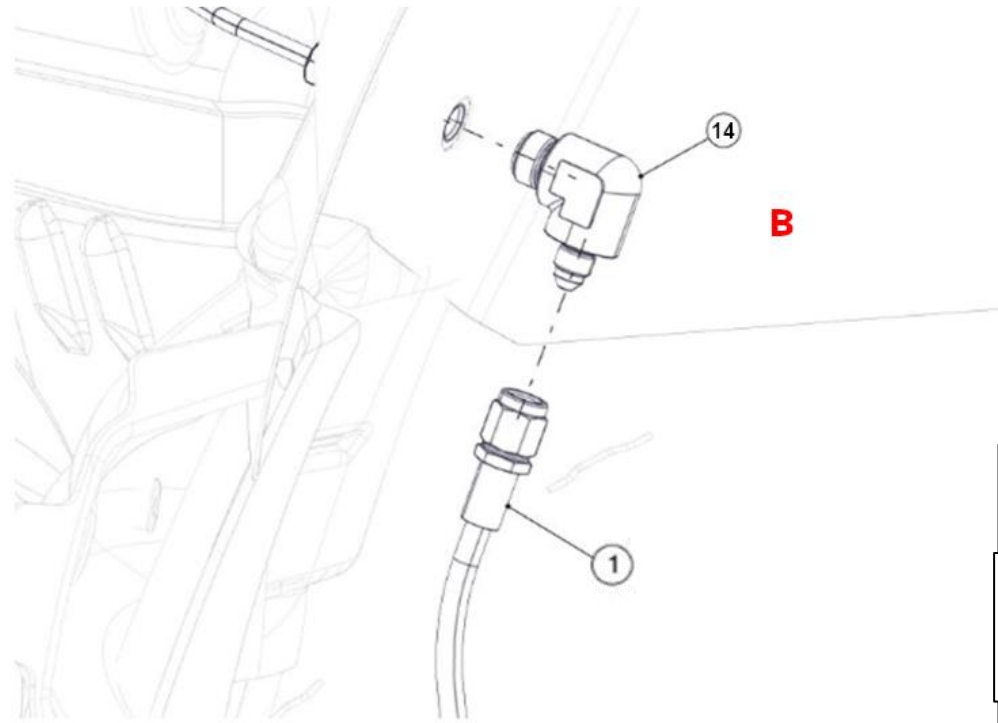
BRAKING SYSTEM





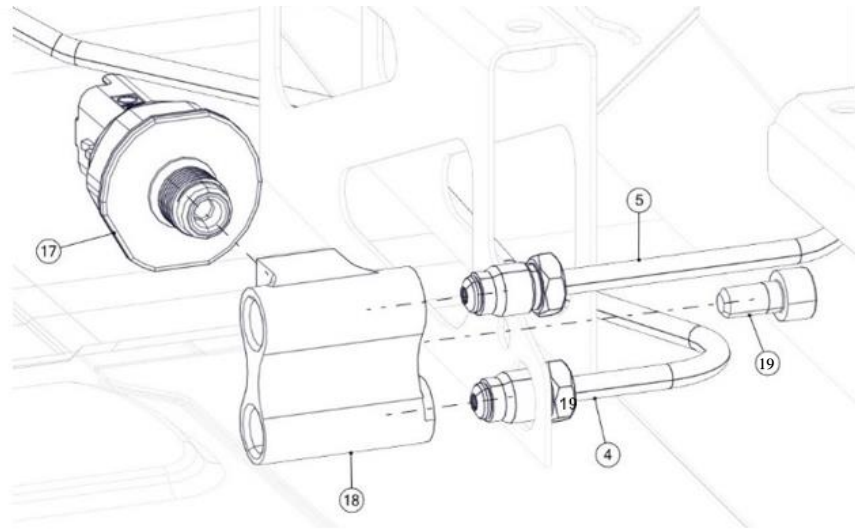


REP	REFERENCE	QTE	DESIGNATION
1	904492788A	4	Flexible étrier frein <i>Brake caliper hose</i>
2	904496298B	1	Tuyau rigide étrier AVD <i>Front Right brake pipe</i>
3	904496708A	1	Tuyau rigide étrier AVG <i>Front Left brake pipe</i>
4	904496188B	1	Tuyau rigide AV / Raccord 4 voies AV <i>Front to 4-way connector brake pipe</i>
5	904496748A	1	Tuyau rigide Av FAM <i>Front to handbrake brake pipe</i>
6	904496758B	1	Tuyau rigide Ar FAM / Raccord 4 voies <i>Handbrake to 4 way connector brake pipe</i>
7	904496728A	1	Tuyau rigide étrier ARD <i>Rear Right brake pipe</i>
8	904496738A	1	Tuyau rigide étrier ARG <i>Rear Left brake pipe</i>

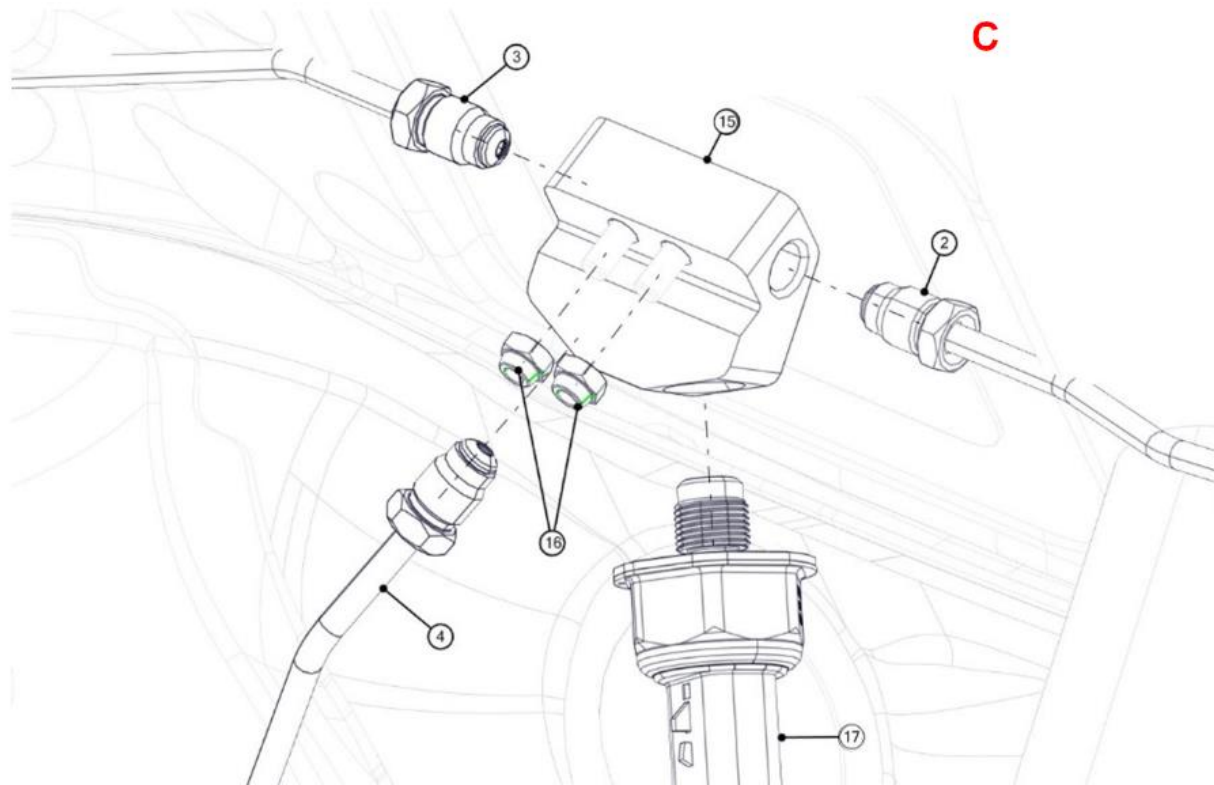


REP	REFERENCE	QTE	DESIGNATION
1	904492788A	4	Flexible étrier frein <i>Brake caliper hose</i>
9	904492858A	4	Anti rotation <i>Anti rotation bracket</i>
10	PS82084A10	8	Vis CHC M4x8 cl12.9 <i>Screw CHC M4x8 cl12.9</i>
11	PS81031A10	14	Joint cuivre Ø10,2x13,9x1 <i>Copper seal Ø10,2x13,9x1</i>
12	PS73763A10	7	Vis Banjo M10x100 L20 <i>Banjo screw M10x100 L20</i>
14	ST04100014	2	Passe cloison assemblé <i>90° connector</i>

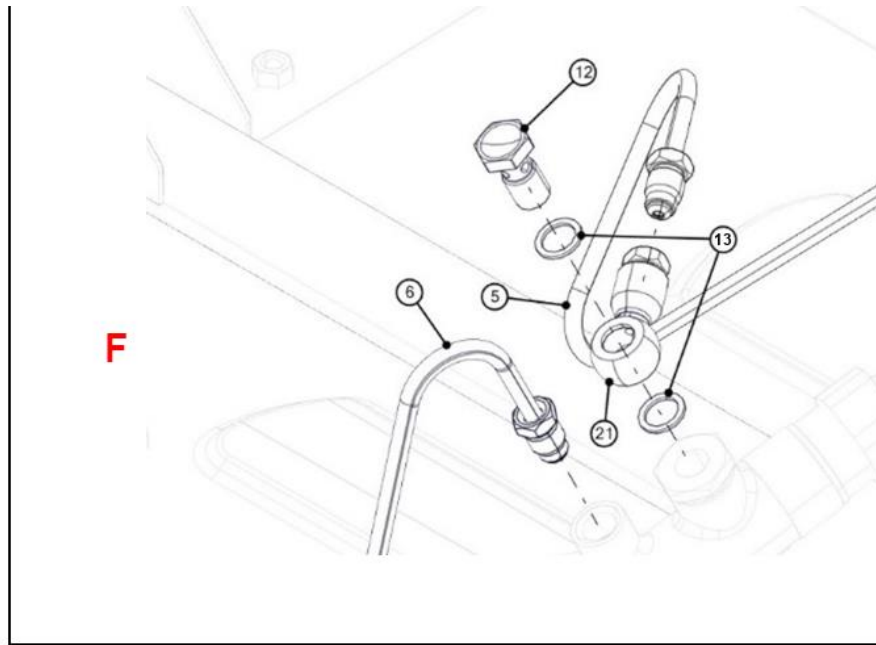
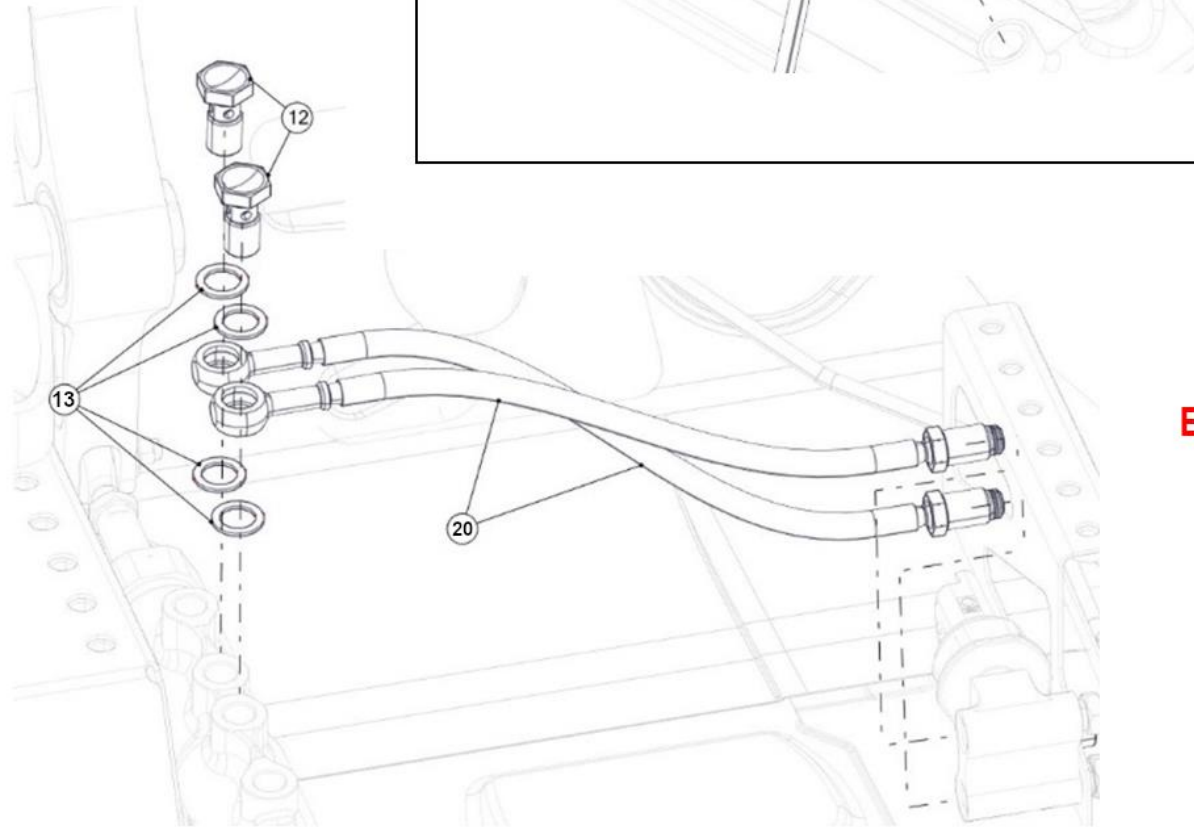
D



C

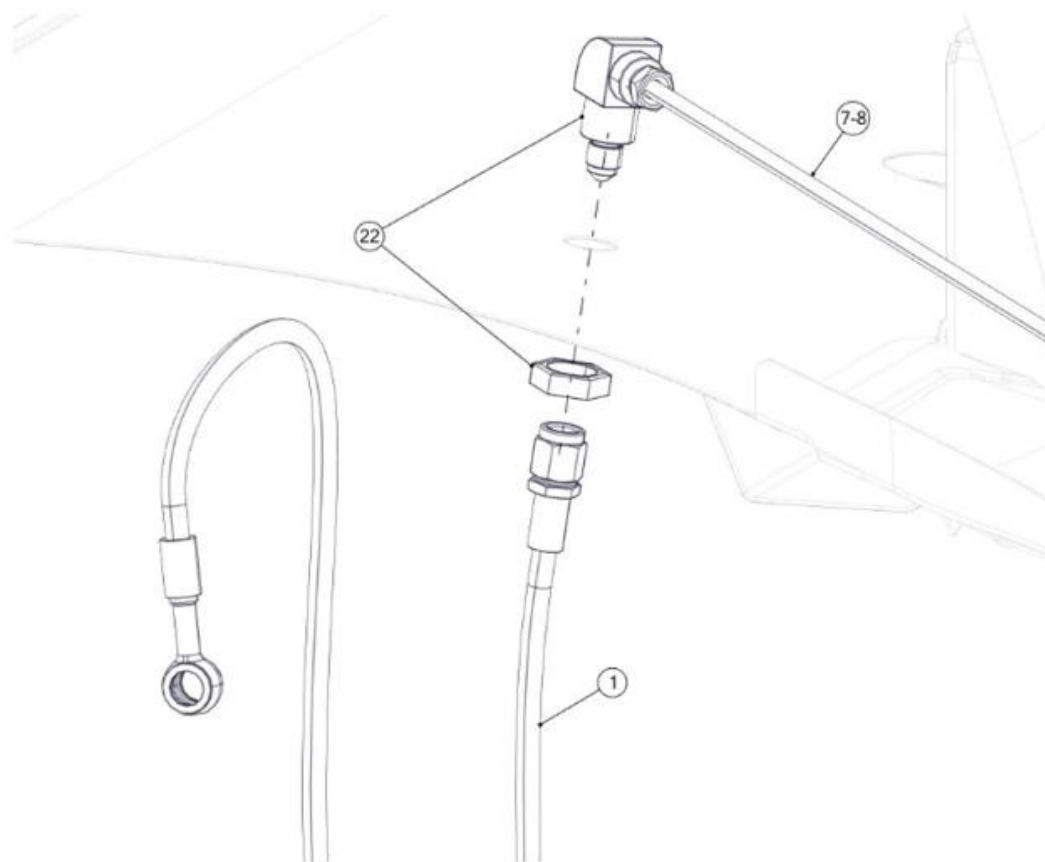


REP	REFERENCE	QTE	DESIGNATION
2	904496298B		Tuyau rigide étrier AVD <i>Front Right brake pipe</i>
3	904496708A		Tuyau rigide étrier AVG <i>Front Left brake pipe</i>
4	904496188B	1	Tuyau rigide AV / Raccord 4 voies AV <i>Front to 4-way connector brake pipe</i>
5	904496748A	1	Tuyau rigide Av FAM <i>Front to handbrake brake pipe</i>
15	1F6363454A	2	Raccord 4 voies <i>4-way connector</i>
16	693673	4	Ecrou frein M5 <i>M5 locking nut</i>
17	5273A2	3	Capteur de pression <i>Pressure sensor</i>
18	904496098C	1	Raccord 3 voies <i>3-way connector</i>



REP	REFERENCE	QTE	DESIGNATION
5	904496188B	1	Tuyau rigide AV / Raccord 4 voies AV <i>Front to 4-way connector brake pipe</i>
6	904496748A	1	Tuyau rigide Av FAM <i>Front to handbrake brake pipe</i>
12	PS73763A10	7	Vis Banjo M10x100 L20 <i>Banjo screw M10x100 L20</i>
13	PS81031A10	14	Joint cuivre Ø10,2x13,9x1 <i>Copper seal Ø10,2x13,9x1</i>
20	904603678A	2	Flexible maître-cylindre <i>Master cylinder hose</i>
21	CS410123ST	1	Raccord Banjo M10x100 <i>Banjo connector M10x100</i>

G



REP	REFERENCE	QTE	DESIGNATION
1	904492788A	4	Flexible étrier frein <i>Brake caliper hose</i>
7	904496728A	1	Tuyau rigide étrier ARD <i>Rear Right brake pipe</i>
8	904496738A	1	Tuyau rigide étrier ARG <i>Rear Left brake pipe</i>
22	90367267-A	2	Passe cloison assemblé <i>90° connector</i>
*	PS97633A10	1	Liquide de frein bremba (0,5L) <i>Brembo brake fluid (0.5L)</i>

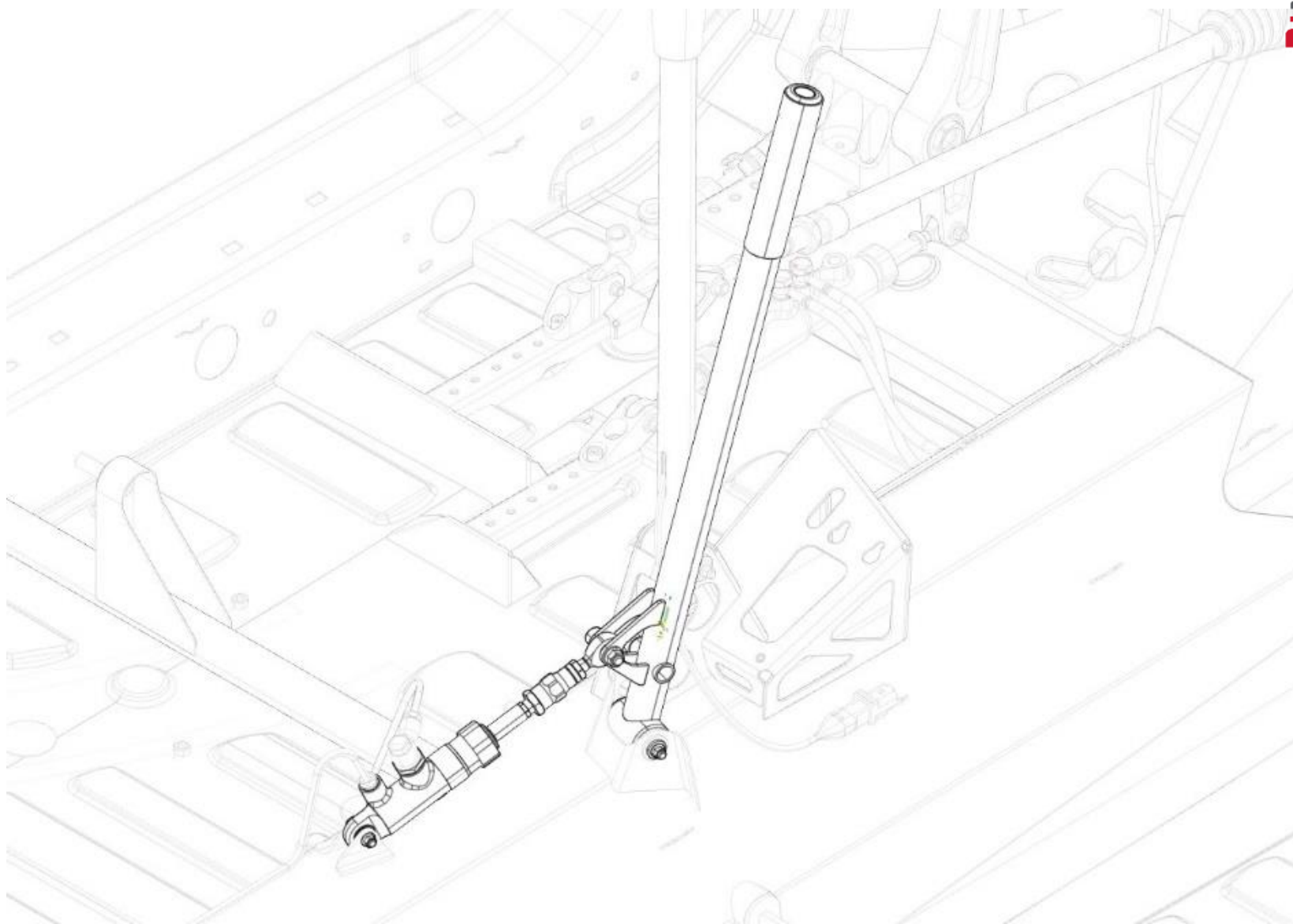


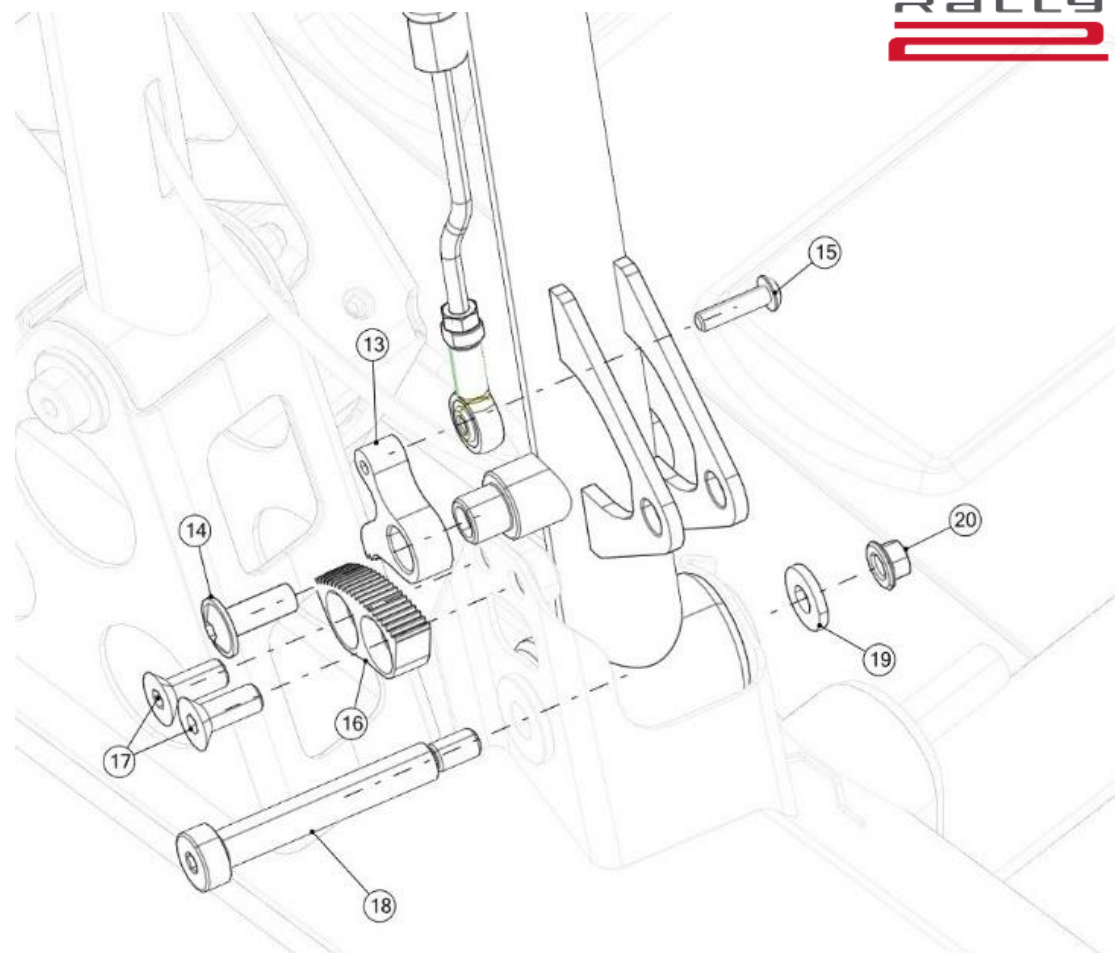
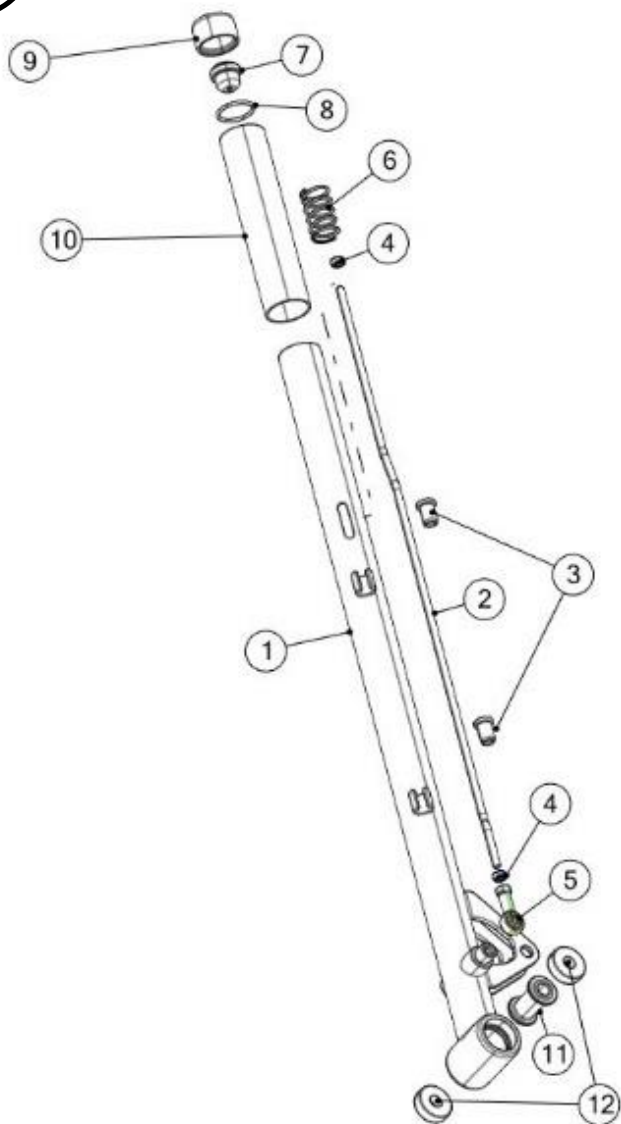
F71

FREIN A MAIN

HANDBRAKE





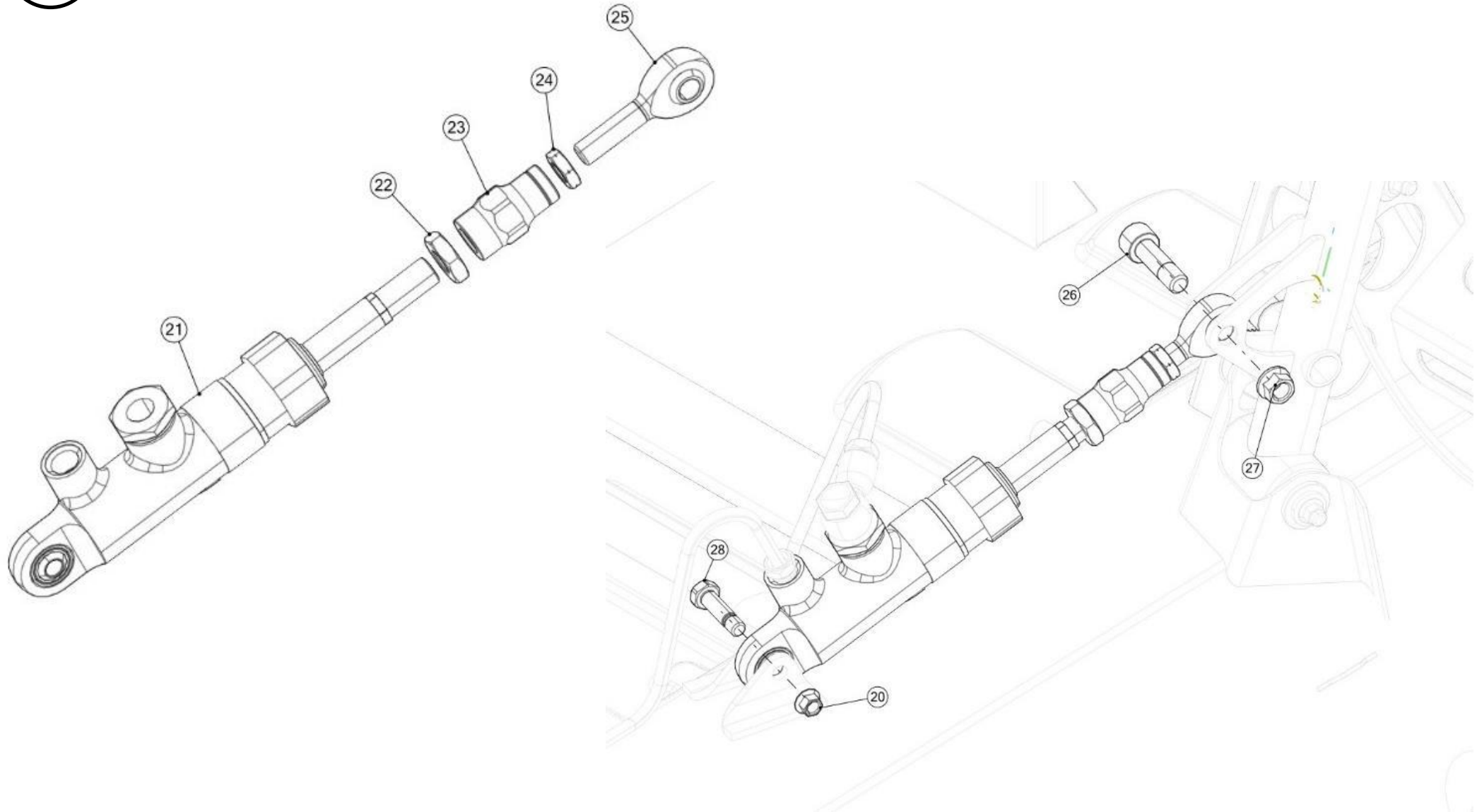


REP	REFERENCE	QTE	DESIGNATION
1	904488548A	1	Levier frein à main <i>Handbrake lever</i>
2	904488118A	1	Tige verrouillage <i>Locking rod</i>
3	1F7126147A	2	Guide tige frein à main <i>Locking rod guide</i>
4	PS74008A10	2	Ecrou HM M4 <i>Nut HM M4</i>
5	CS450066ST	1	Rotule <i>Rose joint</i>
6	1F7126150A	1	Ressort verrouillage frein à main <i>Handbrake locking release spring</i>
7	904488318B	1	Bouton verrouillage frein à main <i>Handbrake locking button</i>
8	PS77875A10	1	Joint torique <i>O-ring</i>
9	1F7126149A	1	Bouchon Levier frein à main <i>Handbrake Lever Cap</i>
10	ST08300012	1	Gaine thermo rétractable <i>Heatshrink</i>

REP	REFERENCE	QTE	DESIGNATION
11*	904488328C	1	Entretoise roulement <i>Bearing Spacer</i>
12*	PS89514A10	2	Roulement à bille 8x22x7 <i>Bearing 8x22x7</i>
13	1F7126156A	1	Cliquet verrouillage frein à main <i>Handbrake locking ratchet</i>
14	PS82639A10	1	Vis ULF M6 L16 <i>Screw ULF M6 L16</i>
15	PS82710A10	1	Vis tête bombée M4x16 <i>BHC Screw M4x16</i>
16	1F7126158A	1	Crémaillère cliquet frein à main <i>Handbrake ratchet rack</i>
17	PS85568A10	2	Vis FHC M6 L15 <i>Screw FHC M6 L15</i>
18	ST05900001	1	Vis UPS Ø8 M6x100-50 <i>Screw UPS Ø8 M6x100-50</i>
19	6946-38	1	Rondelle plate Ø6x14-2 <i>Washer Ø6x14-2</i>
20	PS74001A10	2	Ecrou à embase M6 <i>Emb nut M6</i>

* : Pièces 11 et 12 incluses dans 1

* : Parts 11 and 12 included in 1

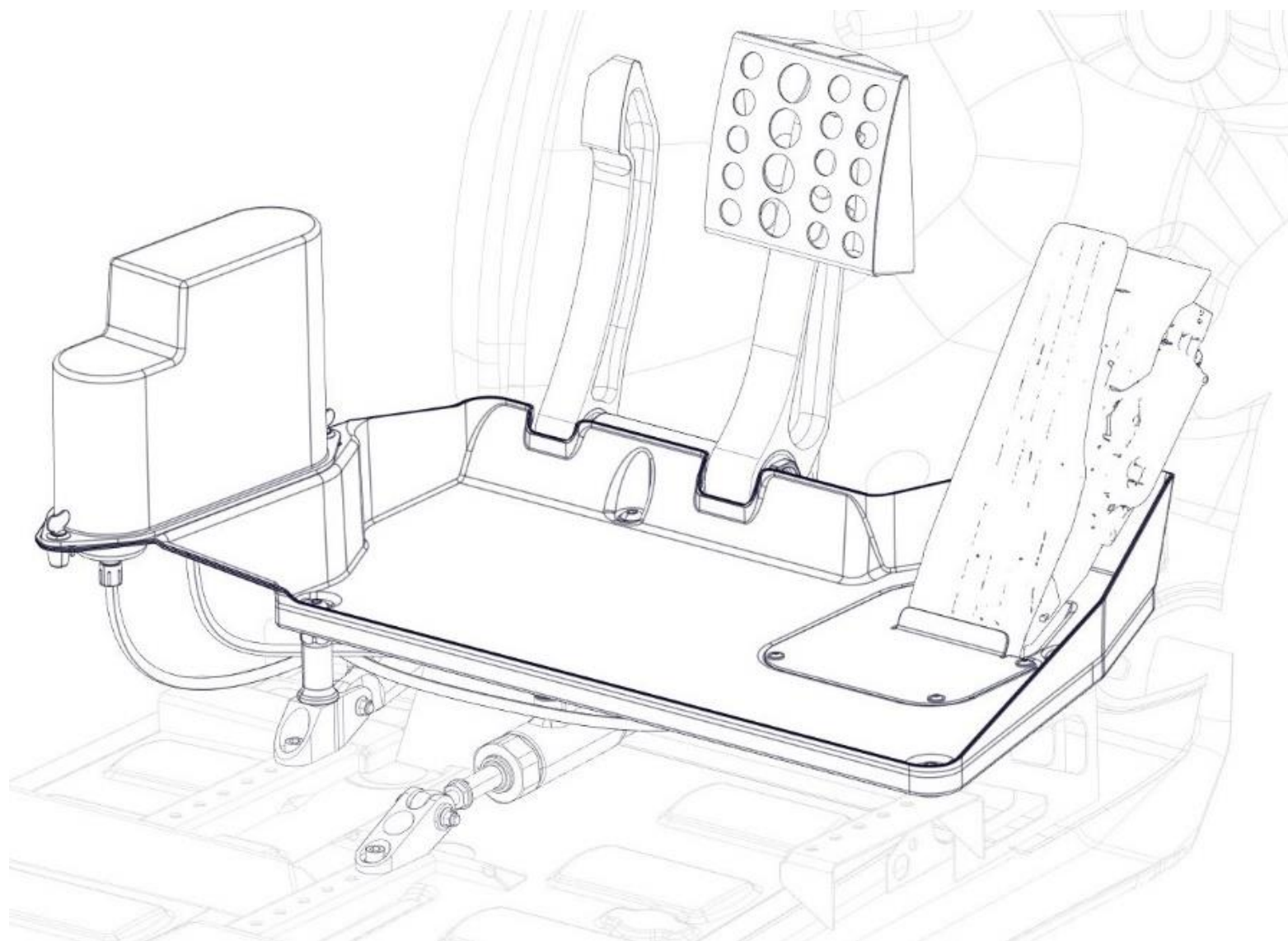


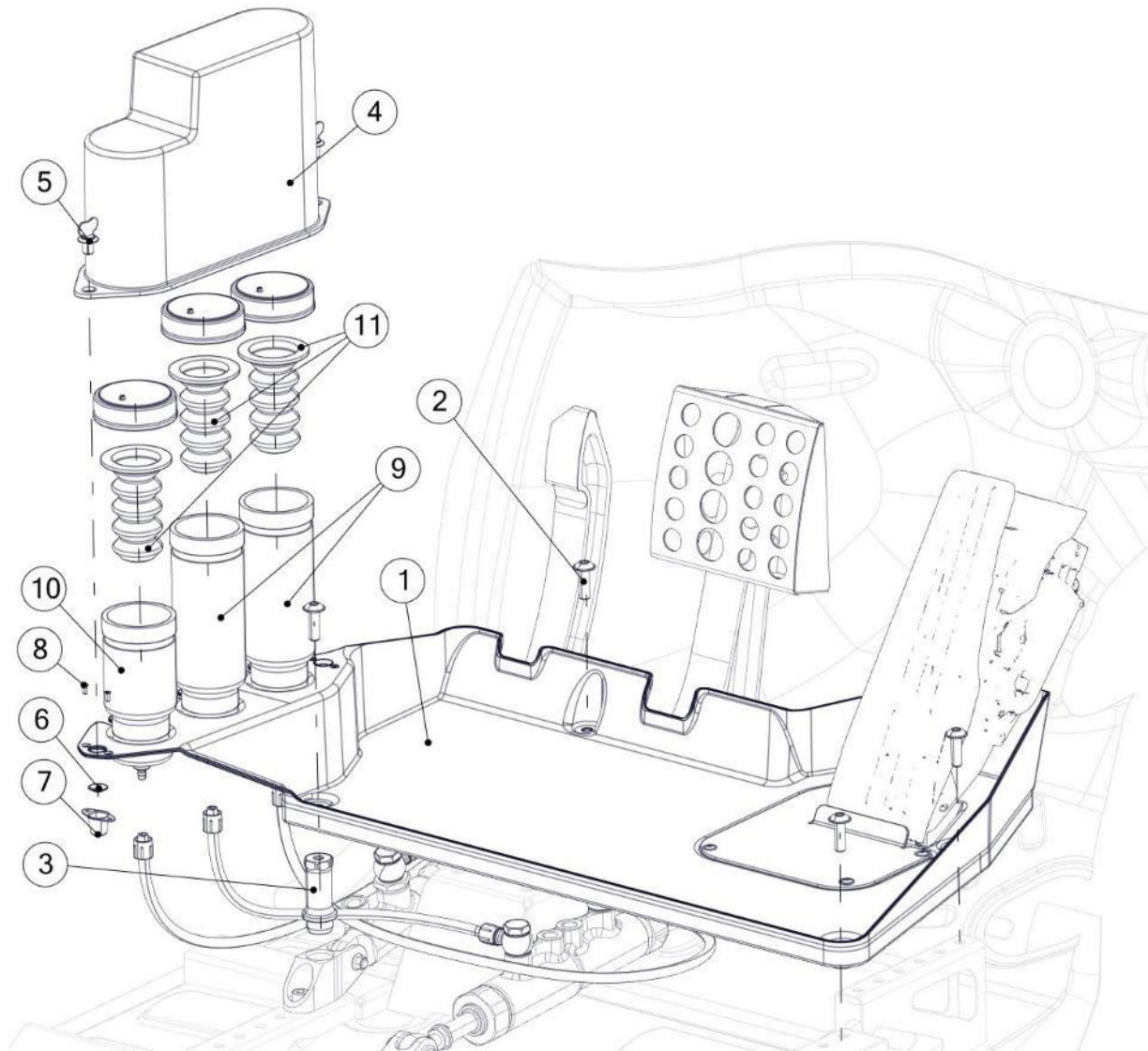
REP	REFERENCE	QTE	DESIGNATION
20	PS74001A10	1	Ecrou à embase M6 <i>Collar nut M6</i>
21	1F6363650B	1	Emetteur frein D 0.7 <i>Master cylinder D 0.7</i>
22	PS74568A10	1	Ecrou HM M10x100 <i>Nut HM M10x100</i>
23	904487728A	1	Régleur émetteur frein à main <i>HB master cylinder adjuster</i>
24	PS74064A10	1	Ecrou HM M8 pas à gauche <i>Nut HM M8 left</i>
25	PS88653A10	1	Rotule SMLE M8 pas à gauche <i>Rose joint SMLE M8 left</i>
26	904488698A	1	Vis M8x125 L27 <i>Screw M8x125 L27</i>
27	RC17705-25	1	Ecrou simloc M8 <i>Nut simloc M8</i>
28	904606248A	1	Vis M6x100 <i>Screw M6x100</i>



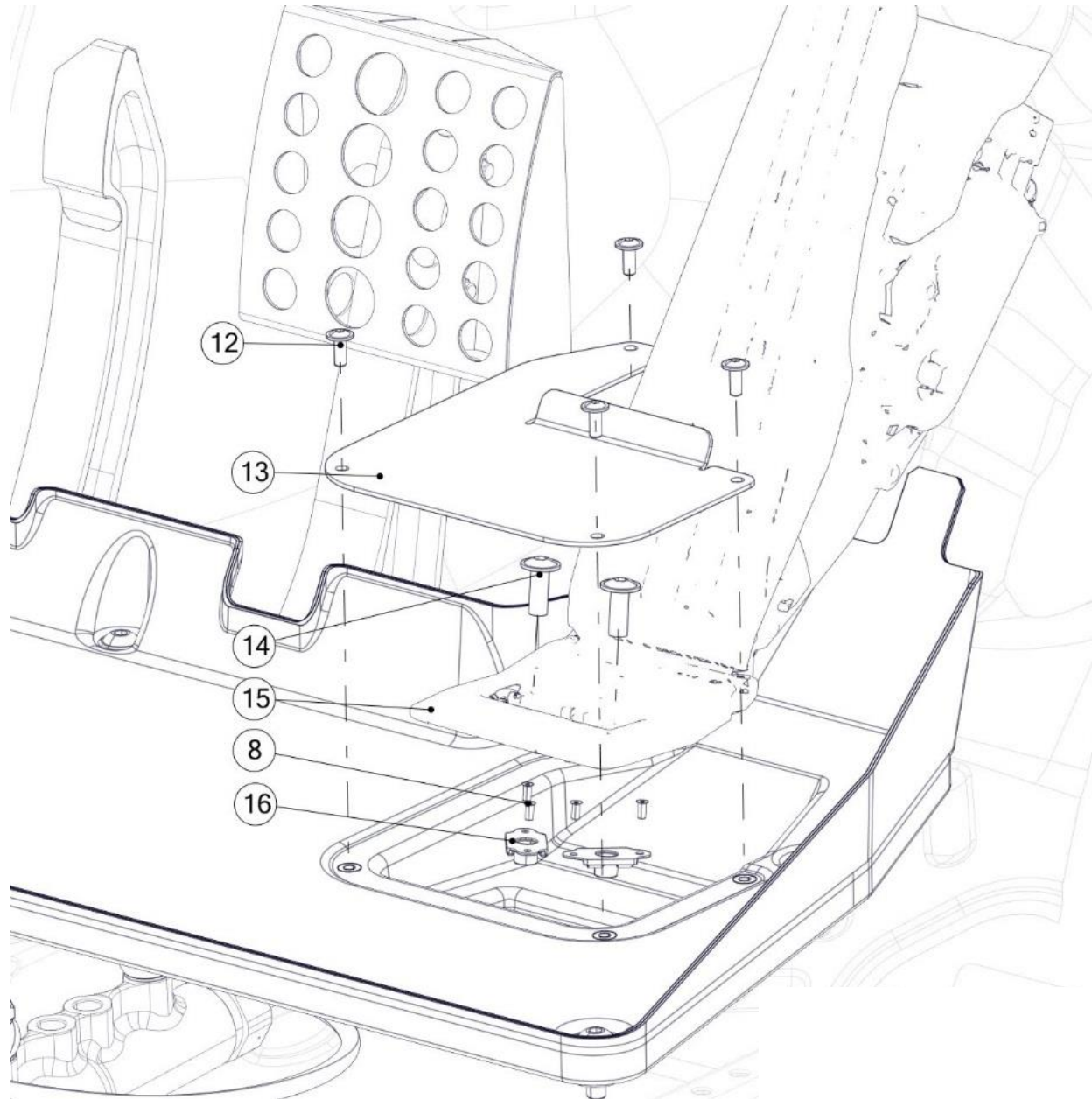
G11 PEDALIER *PEDAL BOX*



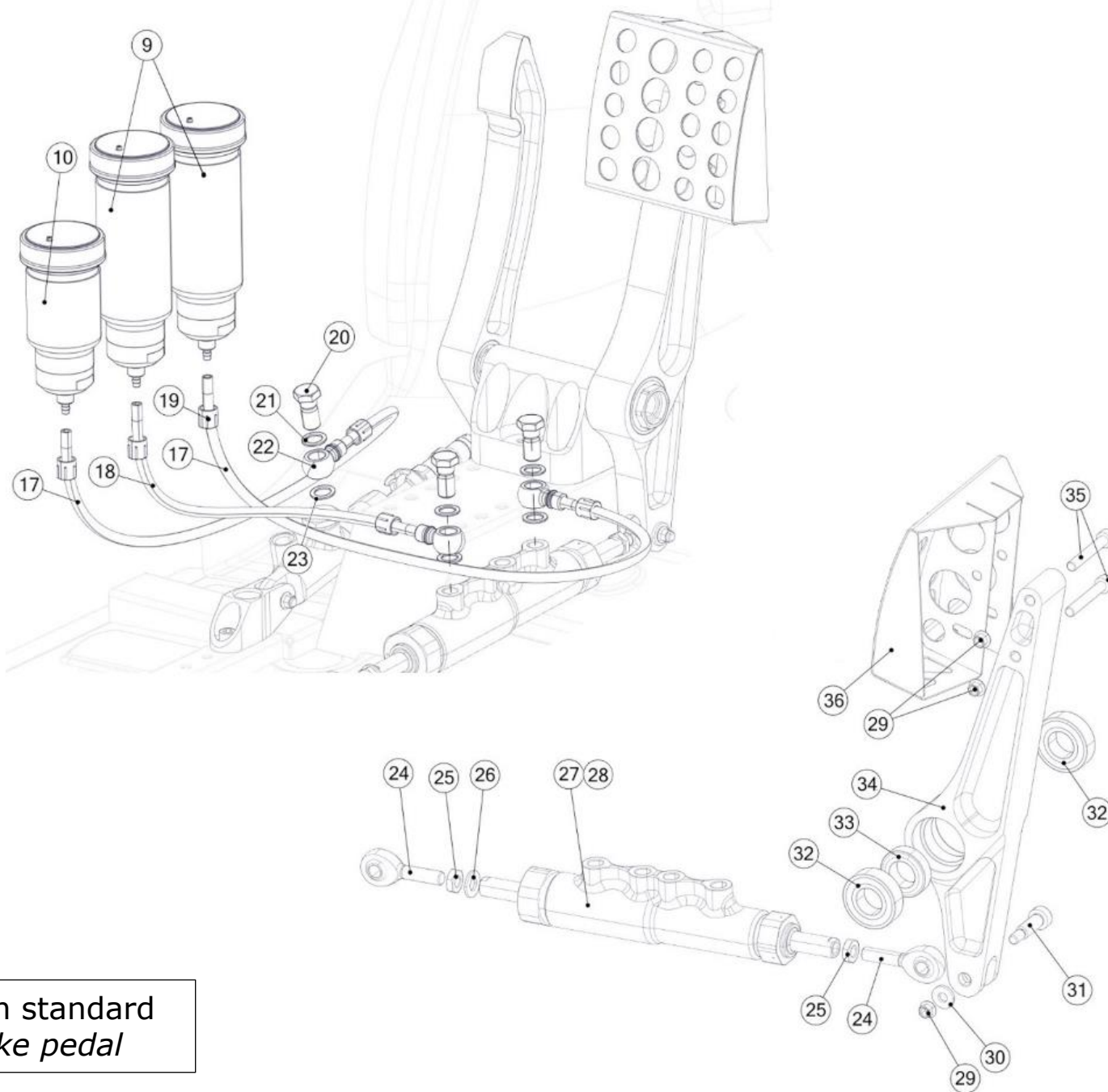




REP	REFERENCE	QTE	DESIGNATION
1	904490978E	1	REPOSE PIED PILOTE <i>Driver footrest</i>
2	ST05800002	4	VIS ULF EMBASE M6x100 L20 CL10.9 <i>ULF Screw M6x100 L20 CL10.9</i>
3	904490988A	1	CALE REPOSE PIED <i>Footrest spacer</i>
4	904847048A	1	COUVERCLE <i>Cover</i>
5	265375	2	AXE A OREILLES <i>Wing head fastener</i>
6	PS86135A10	2	RONDELLE RETENUE D'AXE <i>Retaining washer</i>
7	PS74130A10	2	RECEPTACLE D'AXE <i>Receptacle</i>
8	PS92502A10	4	RIVET NUT PLATE F2.4 L3.2 A 4.8 <i>HEAD RIVET Ø2,4X6,5</i>
9	1F6362849A	2	RESERVOIR LIQUIDE FREIN <i>Brake fluid tank</i>
10	1G3262850A	1	RESERVOIR LIQUIDE EMBRAYAGE <i>Clutch fluid tank</i>
11	1F6362743A	3	SOUFFLET RESERVOIR <i>Tank BOOT</i>



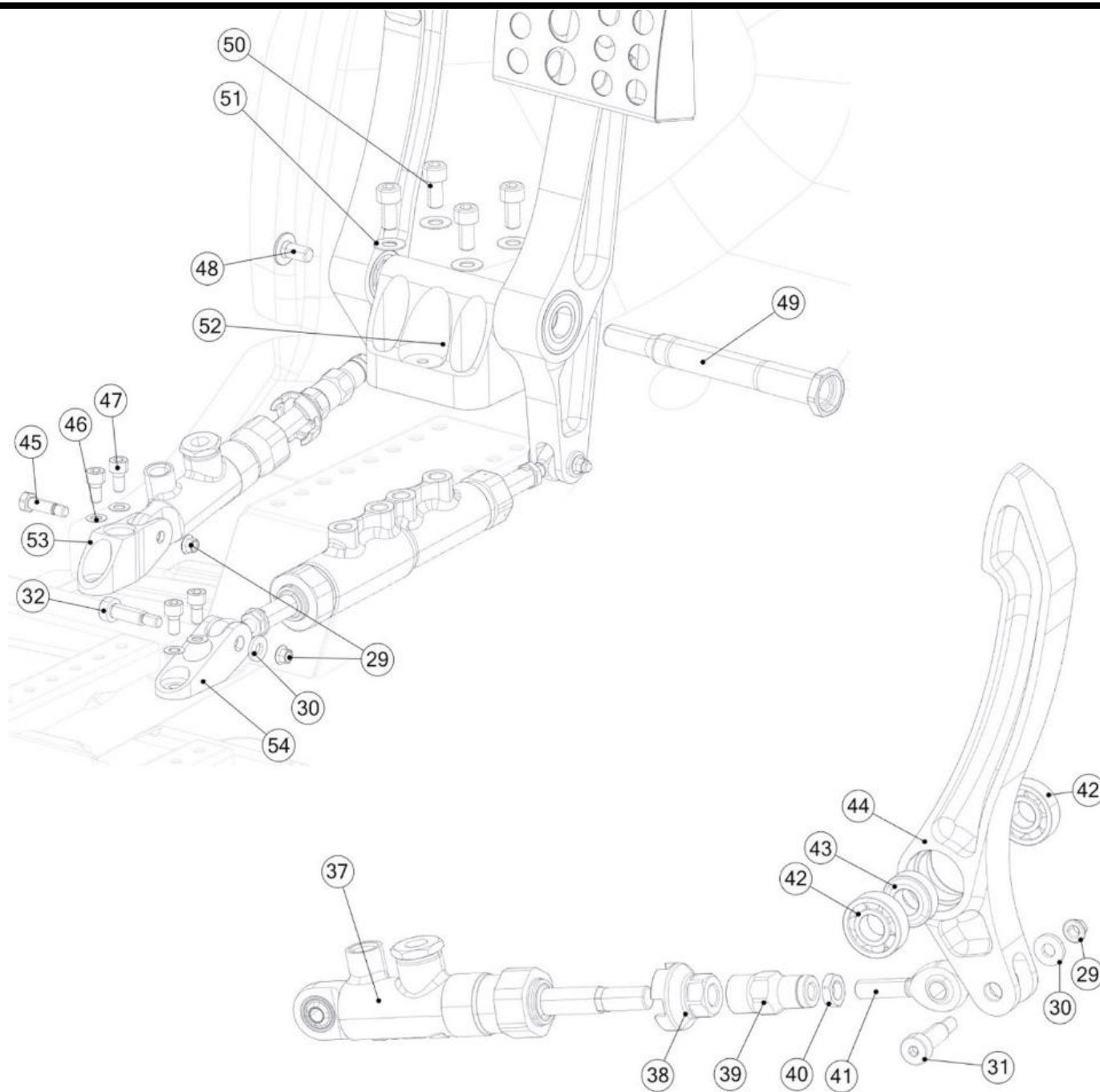
REP	REFERENCE	QTE	DESIGNATION
8	PS92502A10	4	RIVET NUT PLATE F2.4 L3.2 A 4.8 <i>HEAD RIVET Ø2,4X6,5</i>
12	PS82628A10	4	VIS ULF M4X10 CL10.9 <i>Screw ULF M4X10 CL10.9</i>
13	904602588A	1	CAPOT PEDALE ACCE <i>Throttle pedal cover</i>
14	692254	2	VIS ULF M6X20 <i>Screw ULF M6X20</i>
15	1G1163990A	1	PEDALE ACCEL <i>Throttle pedal</i>
16	PS74673A10	2	ECROU PRISONNIER D6 SIMMONDS <i>Nut anchor plate D6</i>



Pédalier de frein standard
Standard brake pedal

REP	REFERENCE	QTE	DESIGNATION
9	1F6362849A	2	RESERVOIR LIQUIDE FREIN <i>Brake fluid tank</i>
10	1G3262850A	1	RESERVOIR LIQUIDE EMBRAYAGE <i>Clutch fluid tank</i>
17	904491708A	2	TUYAU BOCAL AV / EMB 0.50 m <i>Clutch / front brake tank hose 0,5m</i>
18	904491698A	1	TUYAU BOCAL MC FR AR 0.25 m <i>Rear brake fluid tank hose 0,25m</i>
19	PS73031A10	6	ECROU DE RACCORD PK4 <i>PK4 Couplinh nut</i>
20	1F6363866A	3	VIS BANJO EMETTEUR <i>Master cylinder Banjo screw</i>
21	PS81031A10	3	JOINT CUIVRE Ø10,2X13,9X1 <i>Copper seal Ø10,2X13,9X1</i>
22	1F6363865A	3	RACCORD BANJO EMETTEUR <i>Master cylinder banjo coupling</i>
23	PS81610A10	3	JOINT CUIVRE Ø10X14X2 <i>Copper seal Ø10X14X2</i>
24	PS88731A10	2	EMBOUT ROTULE M8 <i>Master cylinder rose joint M8</i>
25	6933-19	2	ECROU HM M8X125 <i>HM Nut M8x125</i>

REP	REFERENCE	QTE	DESIGNATION
26	6947-78	1	RONDELLE 8X16 EP1,5 <i>Washer 8X16 TH 1,5</i>
27	904491828A	1	M CYL TANDEM 23.8 19.05 (asph) <i>Dual brake MC 23.8 19.05 (tarmac)</i>
28	904491808A	1	M CYL TANDEM 22.22 17.8 (terre) <i>Dual brake MC 22.22 17.8 (gravel)</i>
29	PS74001A10	6	ECROU A EMBASE M6 <i>Collar nut M6</i>
30	6946-38	2	RONDELLE PLATE Ø6X14-2 <i>Washer Ø6X14-2</i>
31	ST05900002	3	VIS UPS D8 M6X100 L20 <i>UPS screw D8 M6x100 L20</i>
32	PS89064A10	2	RLT-B 17x35x10 <i>Bearing 17x35x10</i>
33	904491068A	1	ENTRETOISE RLT FR <i>Brake pedal bearing spacer</i>
34	904490938B	1	PEDALE FREIN <i>Brake pedal</i>
35	PS82021A10	2	VIS CHC M6X40 CL.12.9 <i>Screw CHC M6X40 CL.12.9</i>
36	904490958B	1	PATIN PEDALE FREIN <i>Brake pedal pad</i>



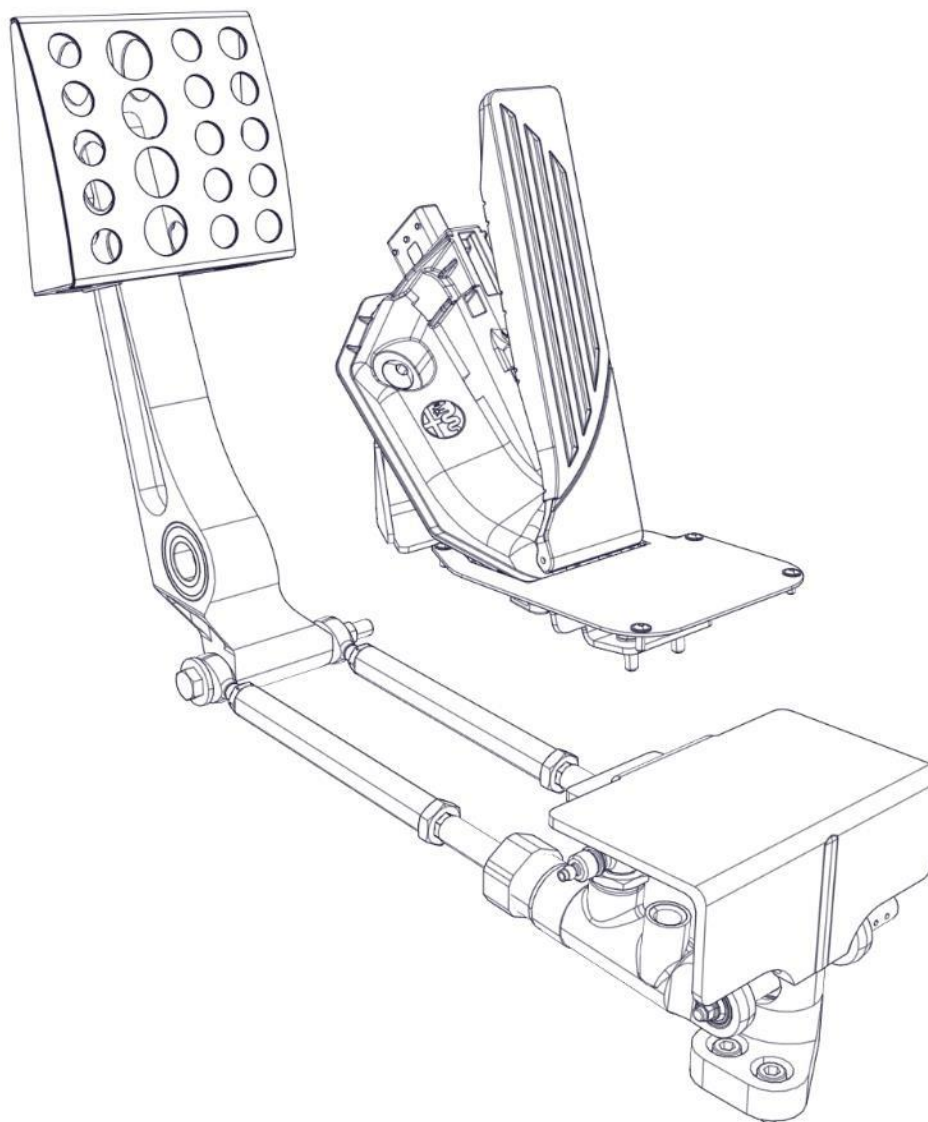
REP	REFERENCE	QTE	DESIGNATION
29	PS74001A10	1	ECROU A EMBASE M6 <i>Collar Nut M6</i>
30	6946-38	1	RONDELLE PLATE Ø6X14-2 <i>Waher Ø6X14-2</i>
31	ST05900002		VIS UPS D8 M6X100 L20 <i>UPS screw D8 M6x100 L20</i>
37	1F6363650B	1	EMETTEUR D17.8 (0.7) <i>MC 17,8 (0,7)</i>
38	904602698A	1	BUTEE MC EMB <i>Clutch MC STOP</i>
39	904602688A	1	REGLEUR EMB <i>Clutch MC adjuster</i>
40	PS74064A10	1	ECROU HM M8 PAS A GAUCHE <i>LH THREAD NUT HM M8</i>
41	PS88653A10	1	ROTULE SMLE 8 PAS À GAUCH <i>SMLE 8 LH Thread rose joint</i>
42	CS460048ST	2	ROULEMENT A BILLES Ø12X28 <i>Bearing Ø12X28</i>
43	904491078A	1	ENTRETOISE RLT EMB <i>Clutch pedal bearing spacer</i>
44	904490948B	1	PEDALE EMBRAYAGE <i>Clutch pedal</i>

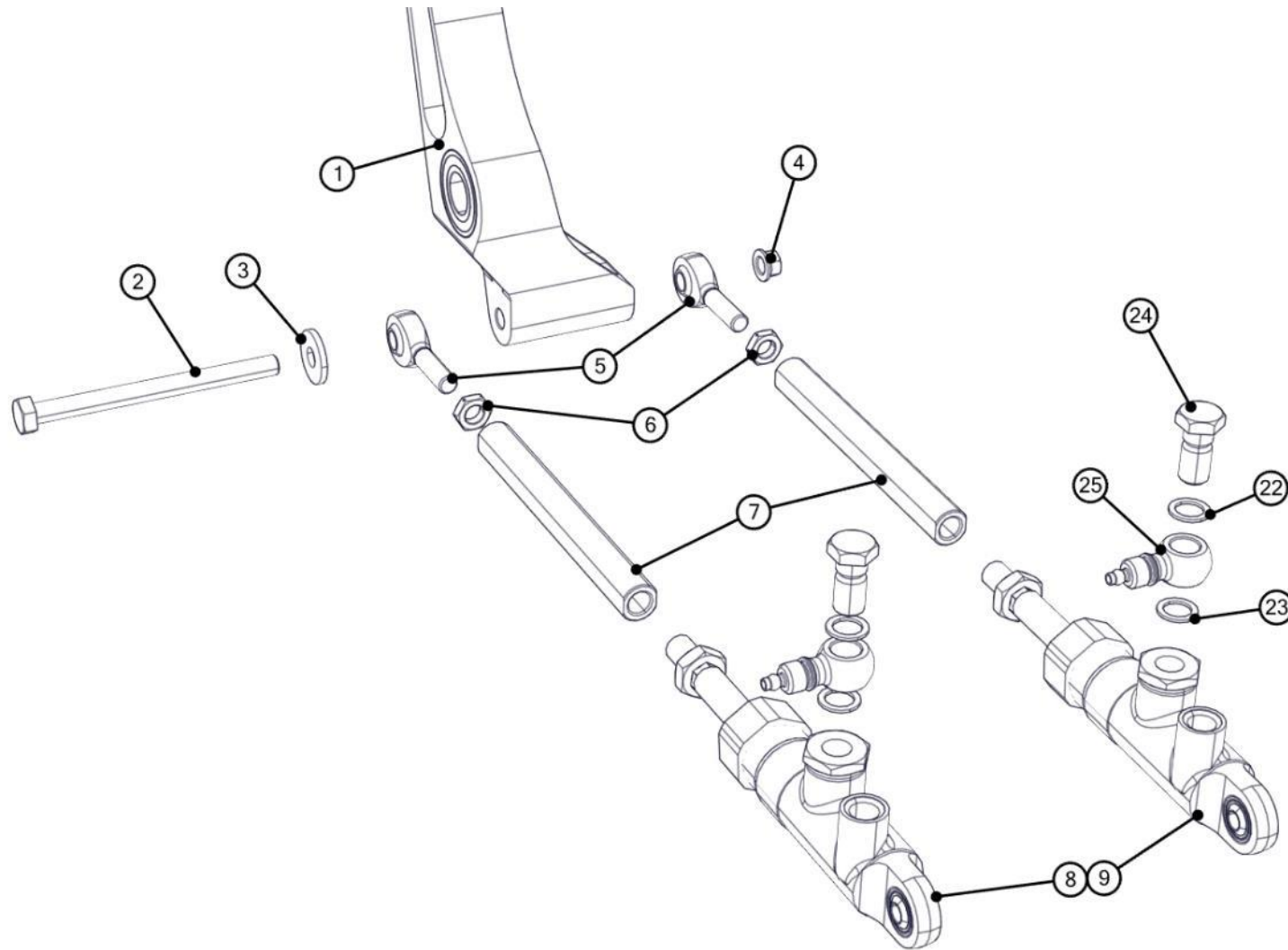
REP	REFERENCE	QTE	DESIGNATION
45	904606248A	1	VIS MC EMBR <i>Clutch MC screw</i>
46	PS86004A10	4	RONDELLE ONDULEE 6 TYPE A <i>OND washer 6 TYPE A</i>
47	PS82119A10	4	VIS-CHC-M6X12 <i>Screw M6-12</i>
48	ST05800001	1	VIS ULF M8 L16 <i>ULF screw M8-L16</i>
49	904490888A	1	AXE PEDALES <i>Pedal Axis</i>
50	PS82130A10	4	VIS CHC M8X16 CL12.9 <i>Screw CHC M8X16 CL12.9</i>
51	PS86510A10	4	RONDELLE OND DIAM. 8 <i>OND washer D8</i>
52	904601328B	1	SUPPORT PEDALES <i>Pedals bracket</i>
53	904490918A	1	CHAPE MC EMB <i>Clutch MC Clevis</i>
54	904490928A	1	CHAPE MC FREIN <i>Brake PC clevis</i>



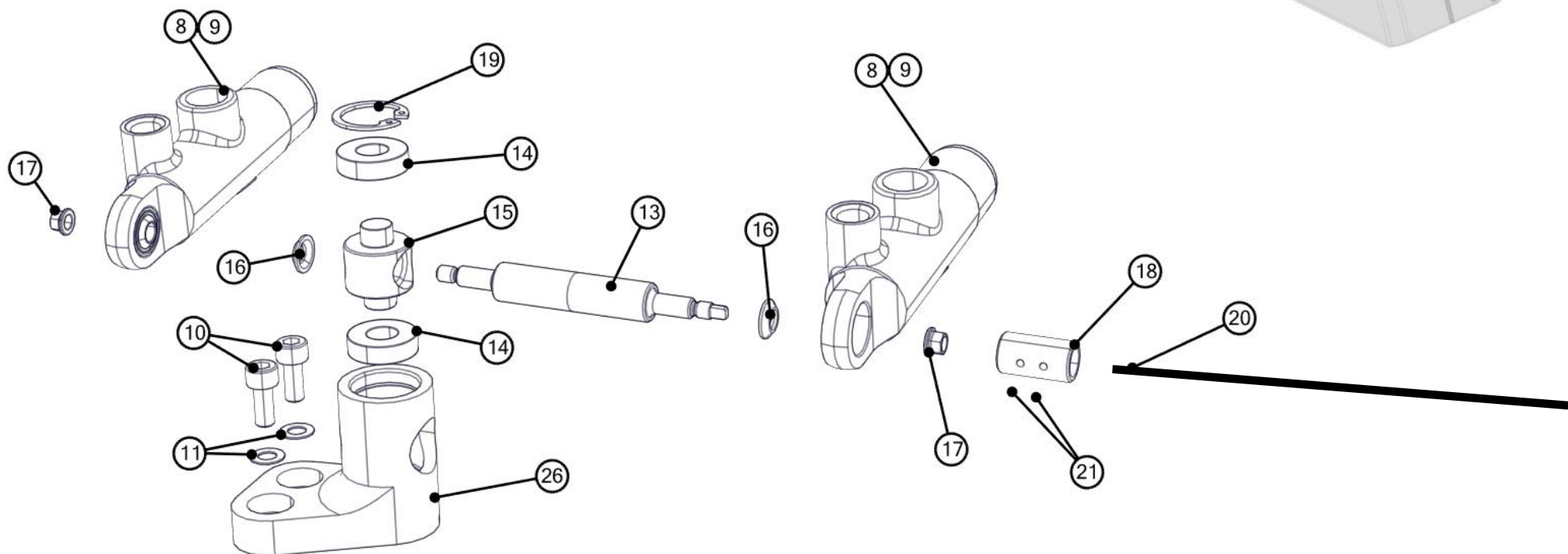
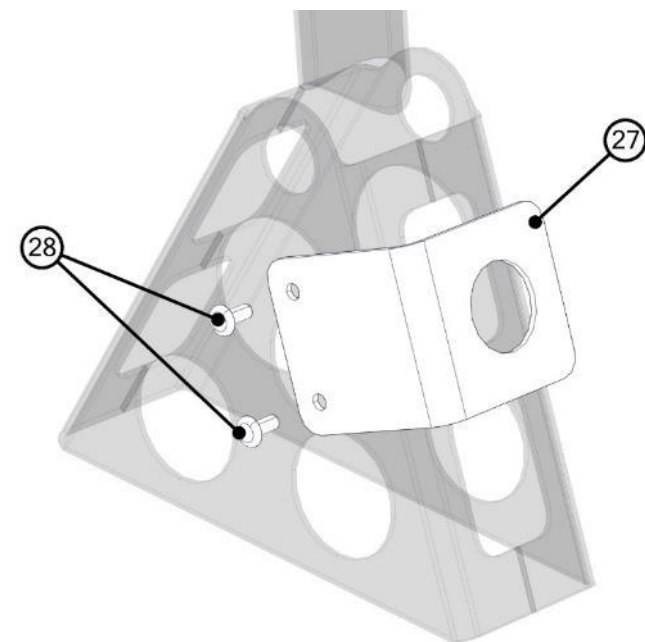
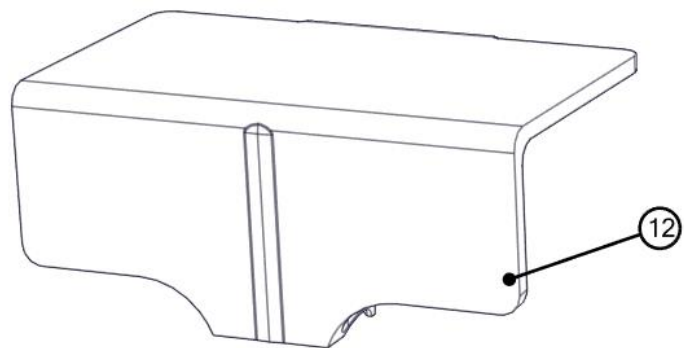
G11_2 PEDALIER EVO *EVO PEDAL BOX*



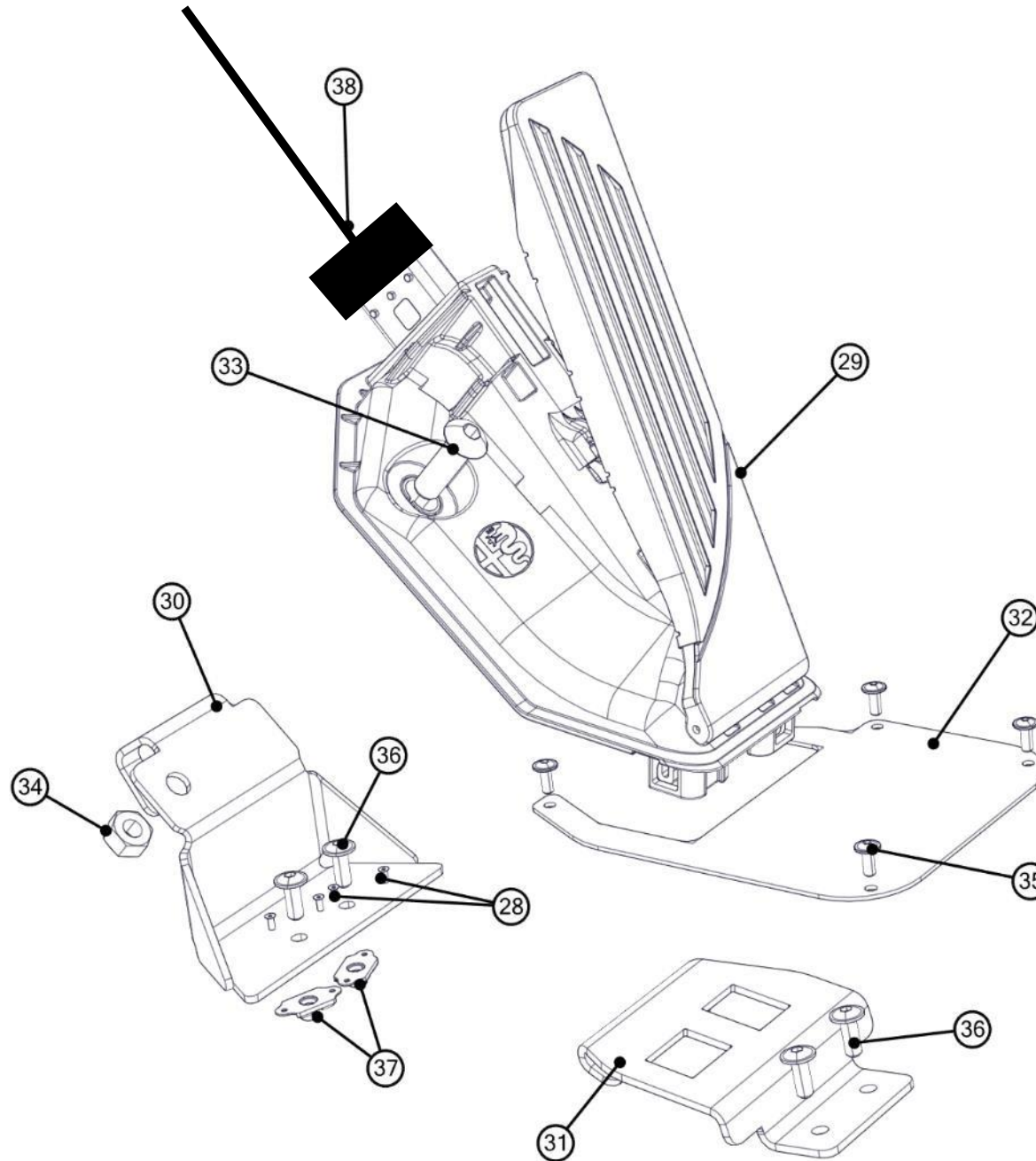




REP	REFERENCE	QTE	DESIGNATION
1	904673418A	1	Pédale de frein EVO <i>EVO brake pedal</i>
2	ST05500016	1	Vis axe pédale EVO <i>EVO brake pedal axis</i>
3	694779	1	Rondelle plate D8x22x2.5 <i>Washer D8x22x2.5</i>
4	RC17705-25	1	Ecrou M8 HM - pas à droite <i>HM nut M8 - right thread</i>
5	PS88653A10	2	Rotule SMLE 8 - pas à gauche <i>SMLE 8 bearing - left thread</i>
6	PS74064A10	2	Ecrou M8 HM - pas à gauche <i>HM nut M8 - left thread</i>
7	904673988B	2	Biellette maitre-cylindre <i>Master cylindre rod</i>
8	1F6363651B	2	MC frein 0.75" Asphalte <i>Tarmac brake MC 0.75"</i>
9	1F6363650B	2	MC frein 0.70" Terre <i>Gravel brake MC 0.70"</i>
22	PS81031A10	3	Joint cuivre D10.2x13.9x1 <i>Copper seal D10.2x13.9x1</i>
23	PS81610A10	3	Joint cuivre D10x14x2 <i>Copper seal D10x14x2</i>
24	PS73763A10	2	Vis banjo de frein M10 <i>Banjo screw M10</i>
25	904702148A	2	Flexible de frein <i>Brake hose</i>



REP	REFERENCE	QTE	DESIGNATION
8	1F6363651B	2	MC frein 0.75" Asphalte <i>Tarmac brake MC 0.75"</i>
9	1F6363650B	2	MC frein 0.70" Terre <i>Gravel brake MC 0.70"</i>
10	PS82036A10	2	Vis CHC M6x14 <i>CHC screw M6x14</i>
11	PS86004A10	2	Rondelle ondulée D6 Type A <i>A type wave washer D6</i>
12	904701298A	1	Cache tuyau <i>Hose protection</i>
13	1G1118050C	1	Axe balance bar <i>Balance bar axis</i>
14	CS460077ST	2	Roulement 22x10x6 <i>Bearing 22x10x6</i>
15	1G1163684A	1	Axe pivot balance bar <i>Balance bar axis mount</i>
16	1G1118052A	2	Rondelle appui balance bar <i>Balance bar washer</i>
17	PS74009A01	2	Ecrou simloc M5 <i>M5 simloc nut</i>
18	1G1124545B	1	Embout balance bar <i>Balance bar cable fixation</i>
19	PS72652A10	1	Anneau d'arrêt <i>Circlip</i>
20	1G1163803A	1	Cable balance bar <i>Balance bar cable</i>
21	PS82719A10	2	Vis HC M3x5 <i>HC screw M3x5</i>
27	904704048A	1	Support molette <i>Setting wheel mount</i>
28	PS92528A10	2	Rivet aveugle D3.2x8 <i>Rivet Ø3.2x8</i>



REP	REFERENCE	QTE	DESIGNATION
29*	50551337	1	Pédale accélérateur Alfa <i>Alfa throttle pedal</i>
30	904949708A	1	Support sup pédale Alfa <i>Top mount Alfa pedal</i>
31	904949698A	1	Support inf pédale Alfa <i>Lower mount Alfa pedal</i>
32	904949718A	1	Capot pédale Alfa <i>Cover Alfa pedal</i>
33	ST05700099	1	Vis BHC M10x30 <i>BHC screw M10x30</i>
34	PS74014A10	1	Ecrou M10x150 <i>Nut M10x150</i>
35	CS570030ST	4	Vis BHC M4x10 <i>BHC screw M4x10</i>
36	PS82690A10	2	Vis BHC M6x16 <i>BHC screw M6x16</i>
37	PS74673A10	2	Ecrou prisonnier M6 <i>Captive Nut M610</i>
38	904949548A	1	Faisceau adaptateur pédale Alfa <i>Alfa pedal adapter loom</i>

* : Bouton de rétrogradage à retirer

* : Kick down button to dismount

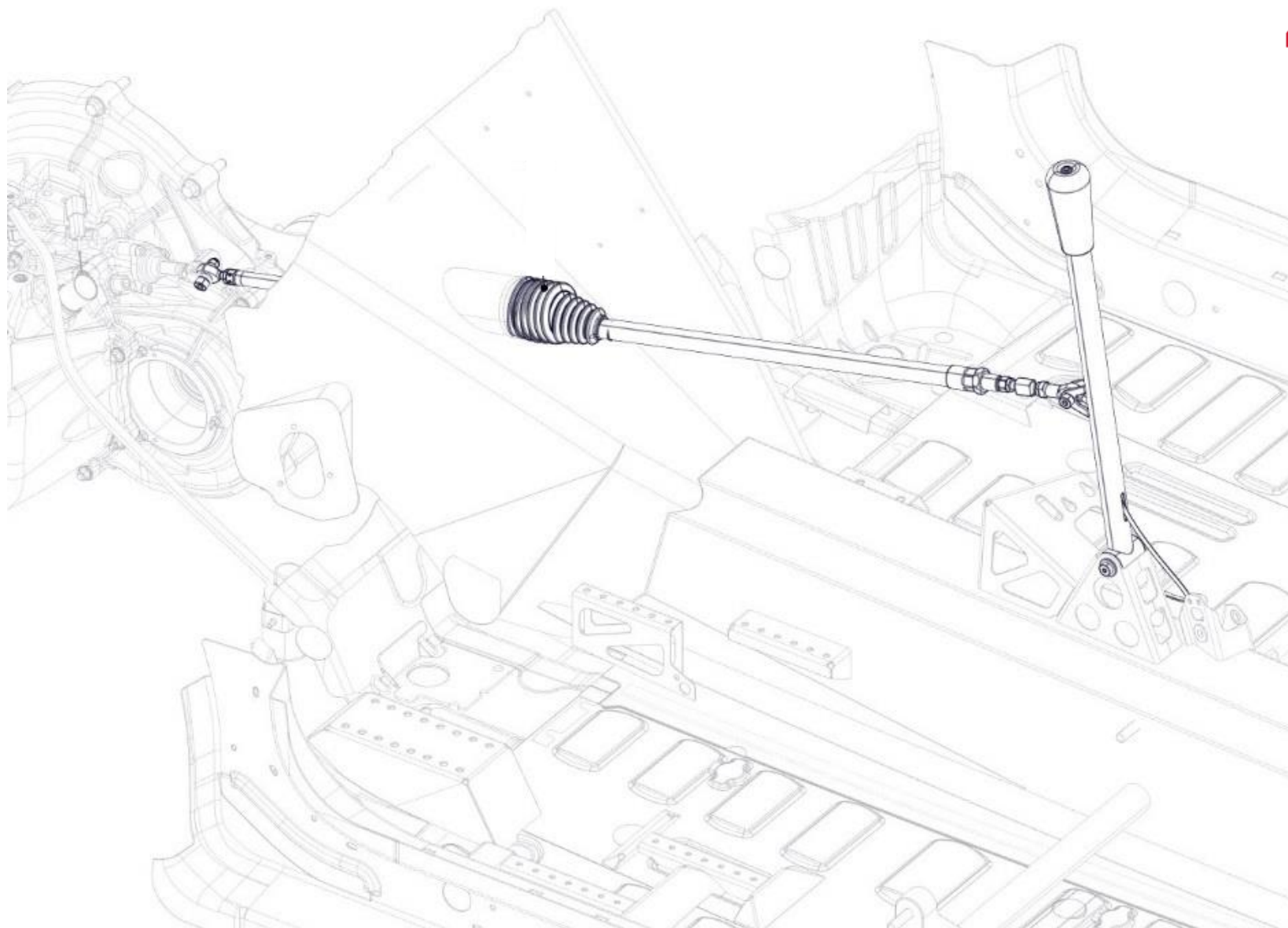


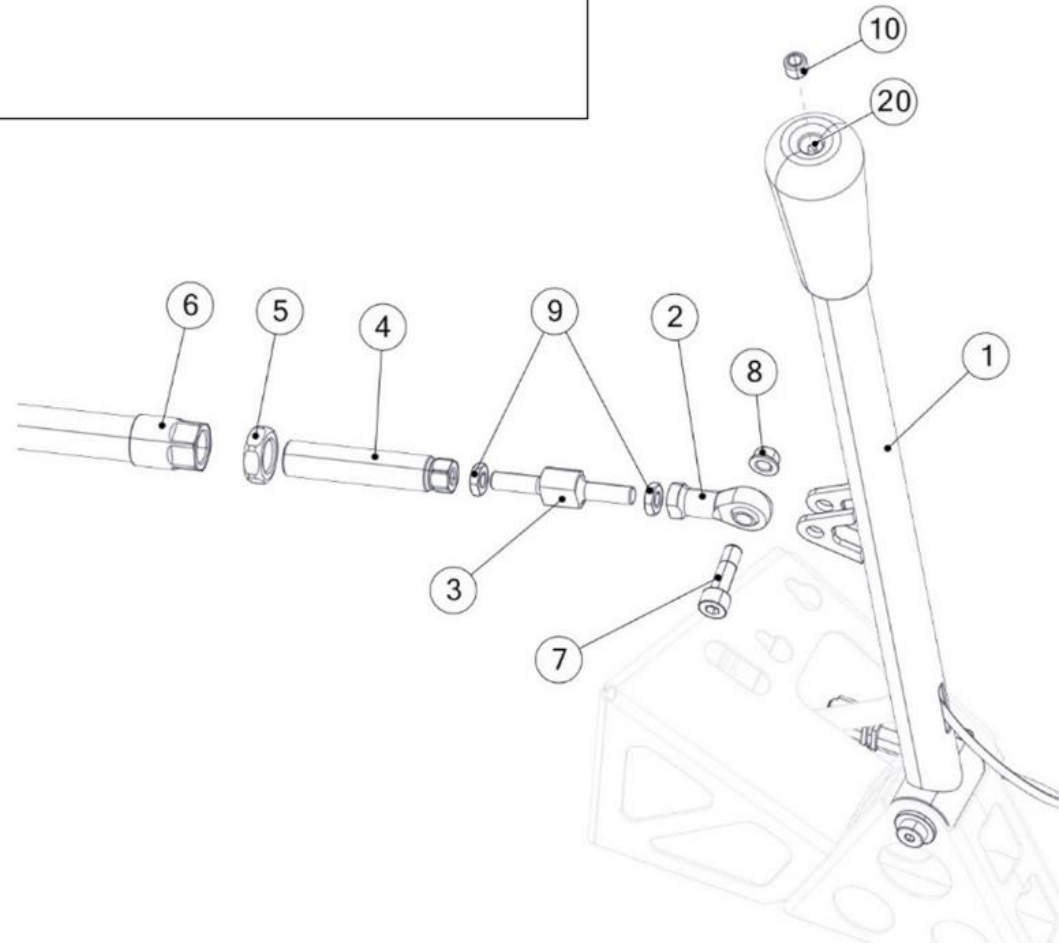
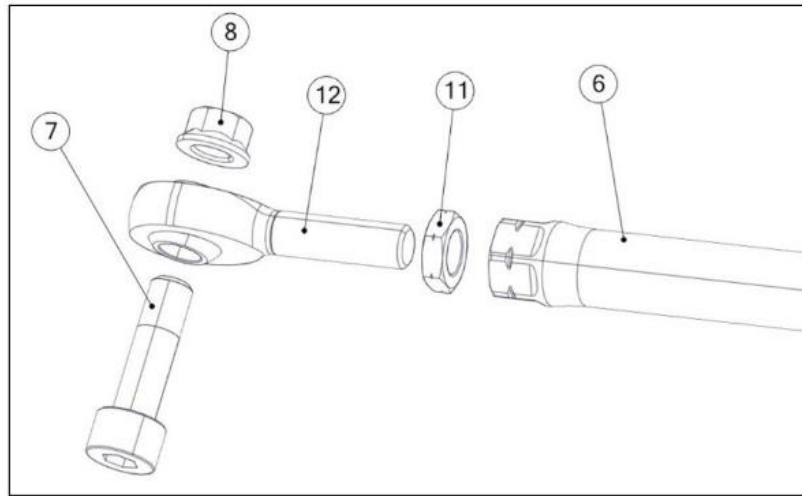
G21

COMMANDE BV

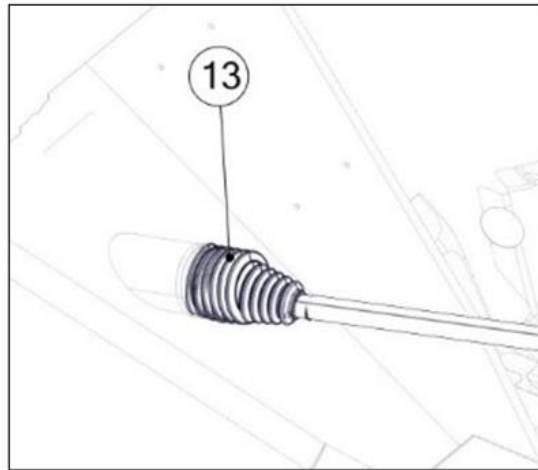
GEARBOX COMMAND



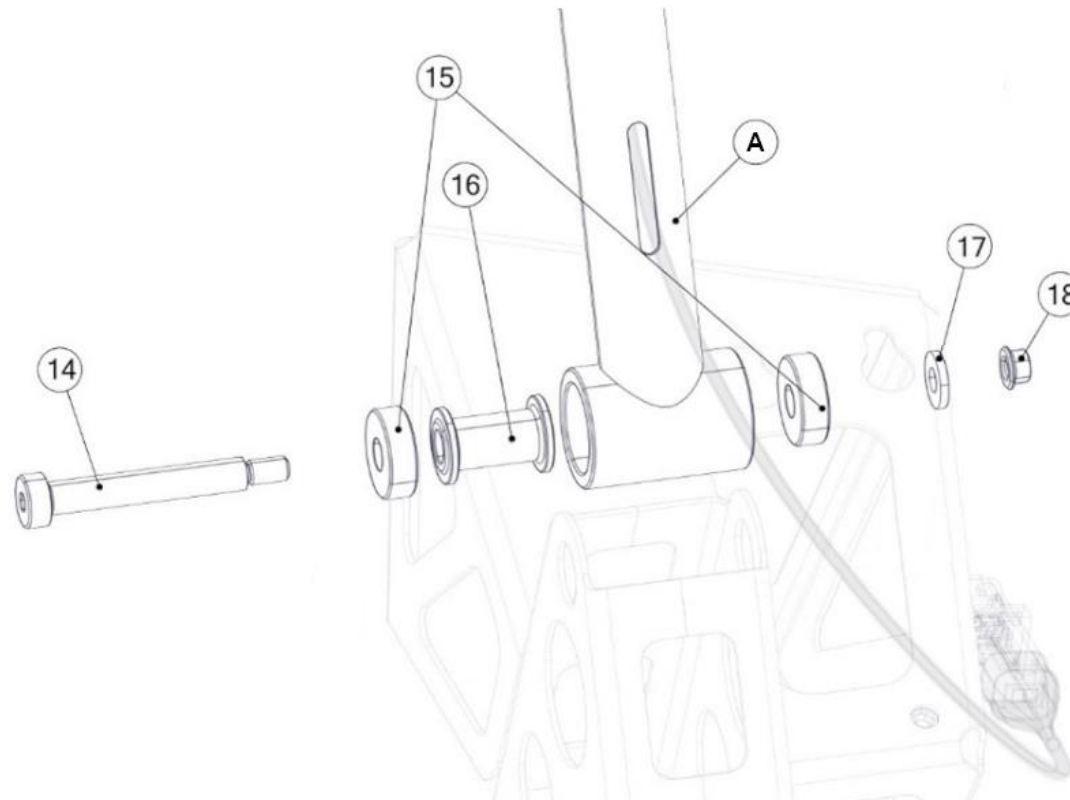




REP	REFERENCE	QTE	DESIGNATION
1	904489148D	1	LEVIER-COMM-BV-CABLE <i>GB lever wired</i>
2	PS88674A10	1	ROTULE SF8 PAS A DROITE <i>SF8 RH Thread rose joint</i>
3	904310778B	1	CBL SHIFTER M8 200 daN <i>Shifter sensor M8 200daN</i>
4	904488688A	1	REGLEUR-BIEL-BV <i>GB lever adjuster</i>
5	PS74590A10	1	ECROU HM M16x150 <i>HM Nut M16x150</i>
6	904488668B	1	ENS-BIEL-COMM-BV <i>GB command rod</i>
7	904488698A	2	VIS-BIEL-COMM-BV <i>GB command rod screw</i>
8	RC17705-25	2	ECROU FREIN M8x125 <i>M8X125 Locking nut</i>
9	6933-19	2	ECROU HM M8X125 <i>HM Nut M8x125</i>
10	ST08500042	1	CAPUCHON ROUGE SWITCH <i>Switch red cap</i>
20	PS63897A10	1	BOUTON POUSSOIR 9633 NCD <i>Push button 9633 NCD</i>
21	904632948B	1	POMMEAU DROIT <i>Straight knob</i>



1 = A + 15 + 16



REP	REFERENCE	QTE	DESIGNATION
11	PS74064A10	1	ECROU HM M8 PAS A GAUCHE <i>LH Thread Nut HM M8</i>
12	PS88653A10	1	ROULE SMLE 8 PAS A GAUCHE <i>SMLE 8 LH Thread rose joint</i>
13	903739888A	1	KIT SOUFFLET <i>Boot</i>
14	ST05900001	1	VIS UPS M 6X100 L50 <i>UPS screw 6x100 L50</i>
15	PS89514A10	2	ROULEMENT BILLES 8 D22 E7 <i>Bearing 8 D22 E7</i>
16	904488328C	1	ENTRETOISE-RLT-FAM <i>GB lever Bearing spacer</i>
17	6946-38	1	RONDELLE Ø6X14X2 <i>Washer Ø6X14X2</i>
18	PS74001A10	1	ECROU À EMBASE M6 <i>Nut M6</i>

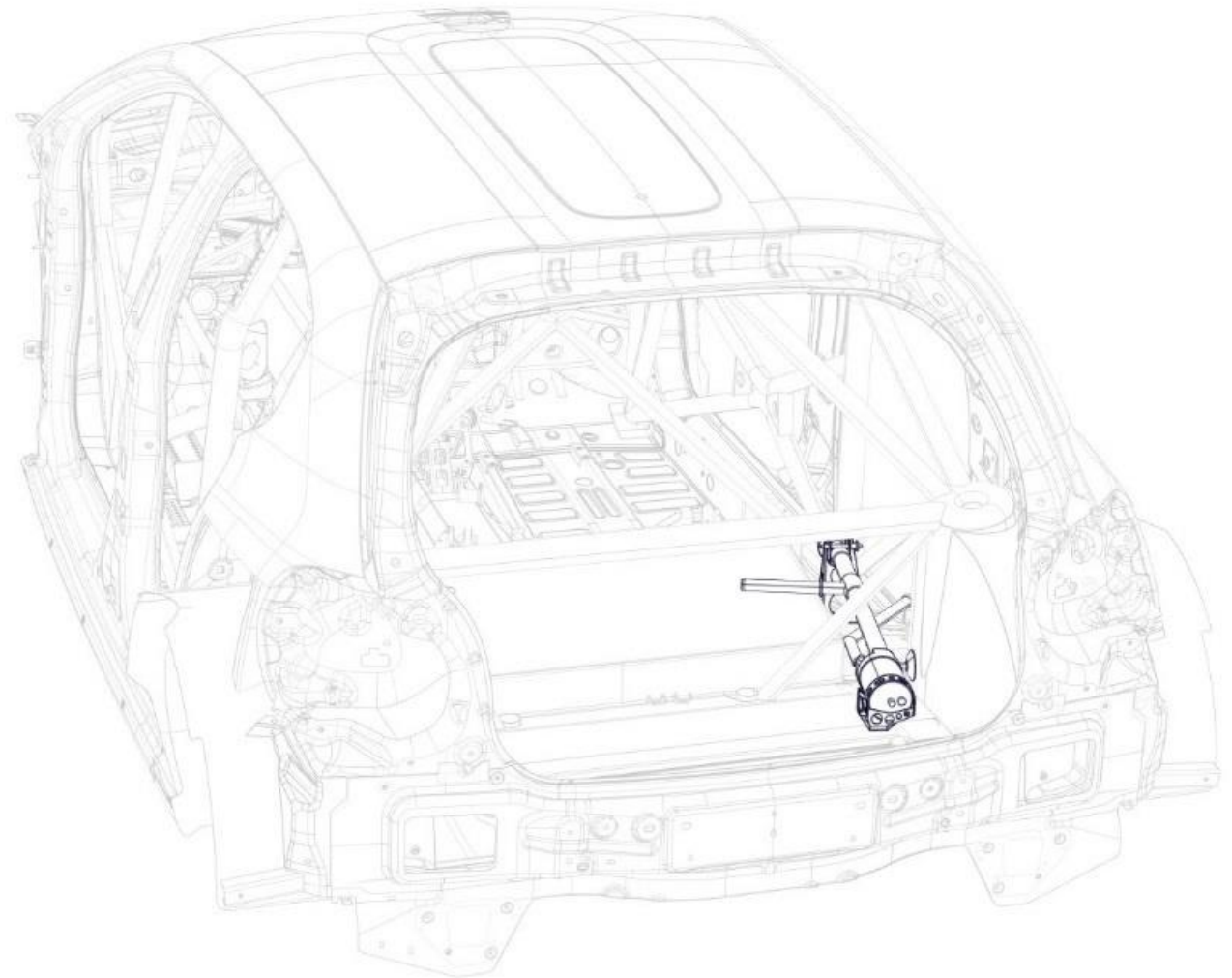
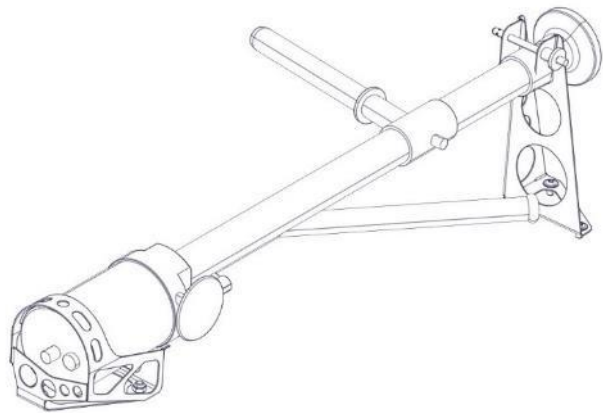
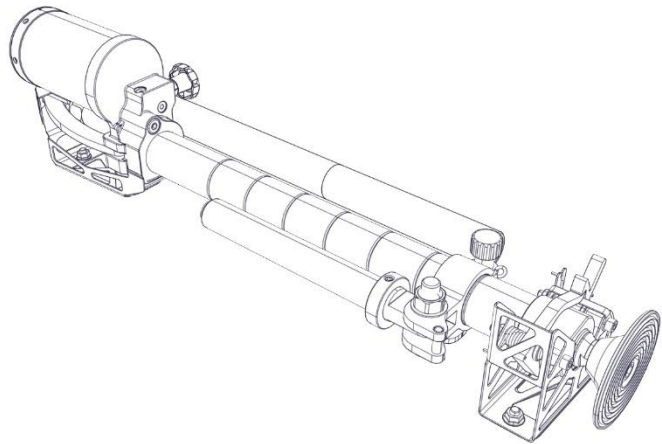


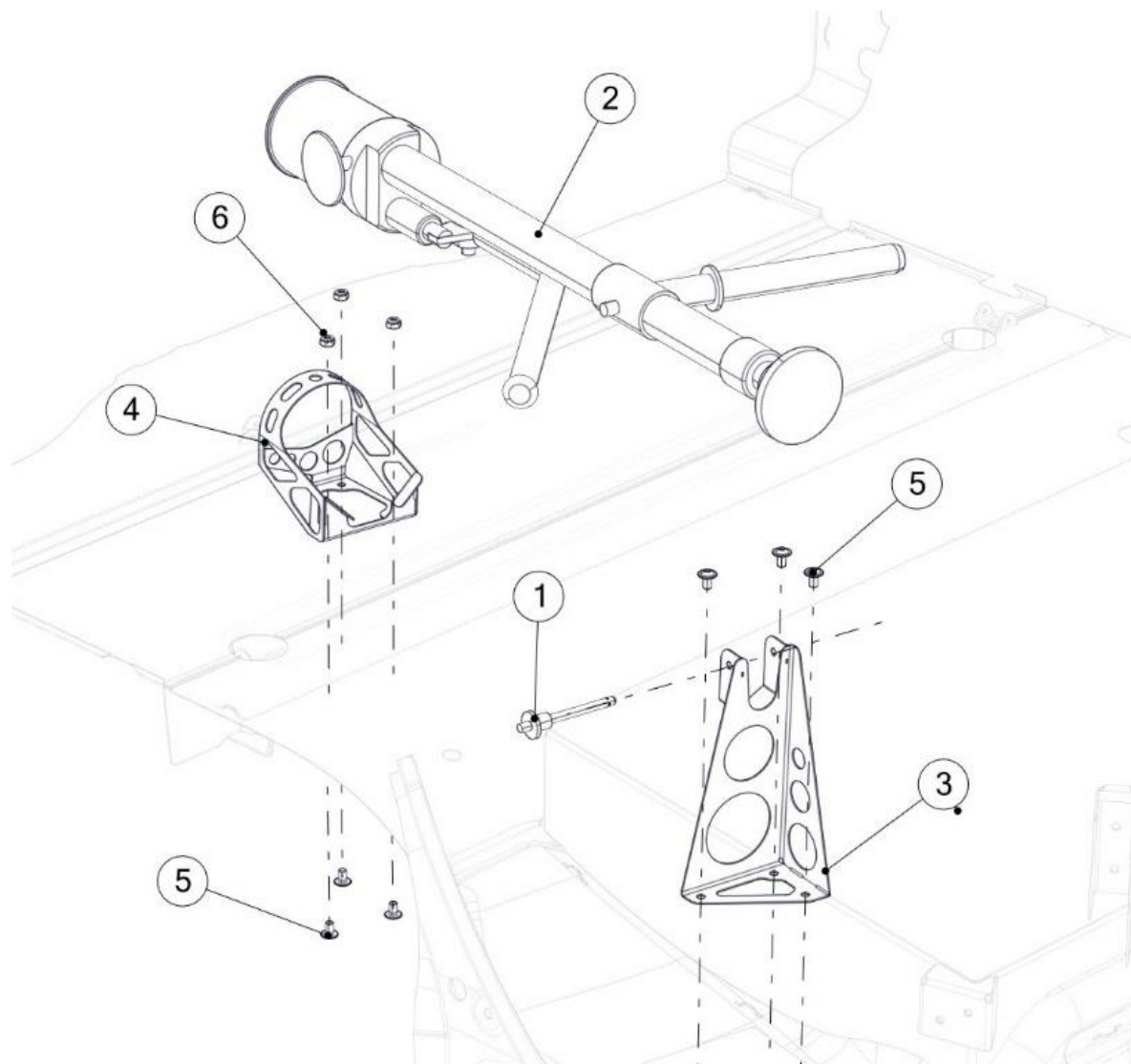
H11

ENS CRIC HYDRAULIQUE

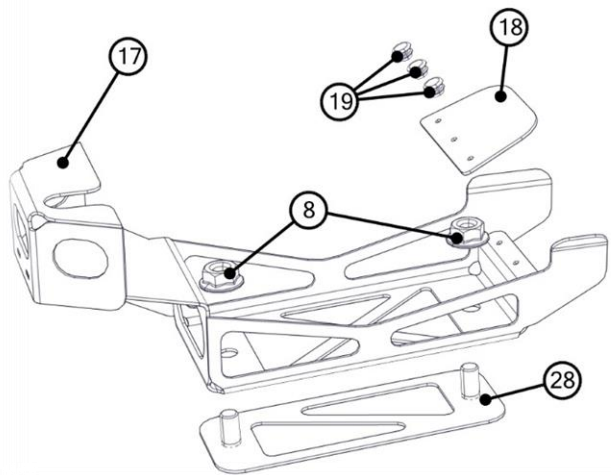
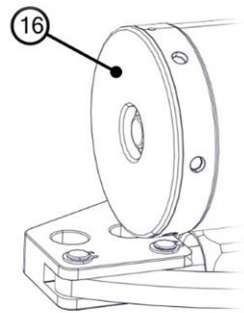
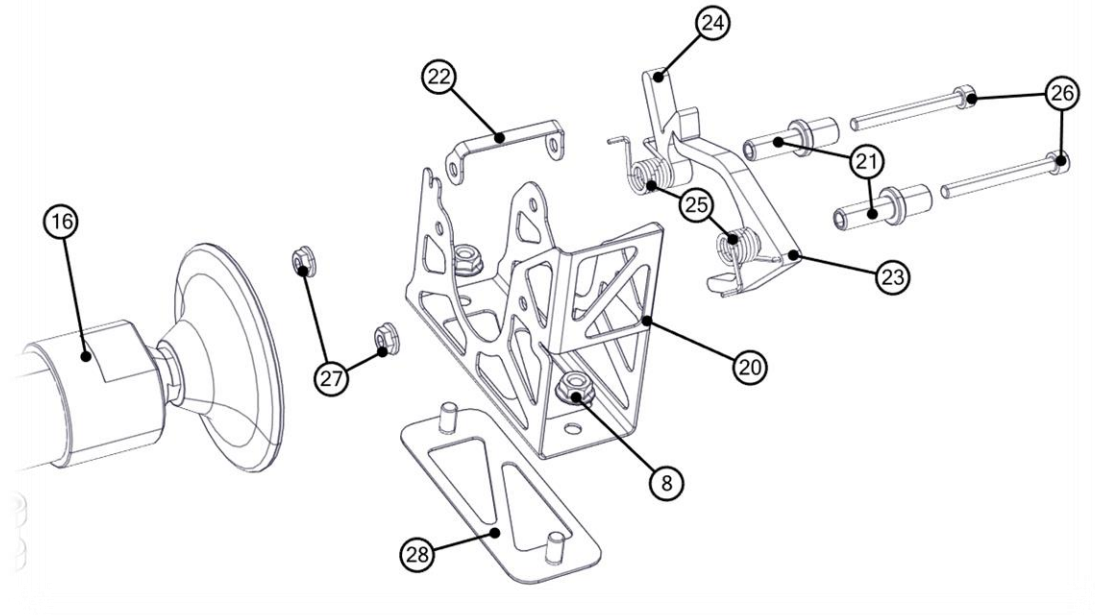
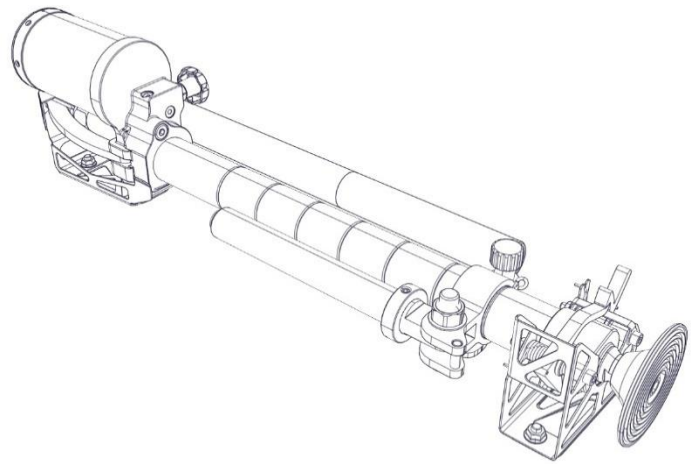
HYDRAULIC JACK







REP	REFERENCE	QTE	DESIGNATION
1	PS01008A10	1	BROCHE BILLE D6 L50 <i>PIN BALL D6 L50</i>
2	CS380084ST	1	CRIC HYDRO <i>HYDRAULIC JACK</i>
3	3R5E40004A	1	SUPPORT CRIC AR <i>BRACKET BACK JACK</i>
4	3R5E40003A	1	SUPPORT CRIC AV <i>BRACKET FRONT JACK</i>
5	PS82696A10	5	VIS ULF M6x12 <i>SCREW ULF M6x10</i>
6	CS250041ST	1	VIS BHC M6x100 L20 <i>BHC Screw M6X100 L20</i>
7	6941-15	1	Ecrou à sertir M6 <i>Rivet nut M6</i>
8	PS74001A10	2	Ecrou à embase M6 <i>Flange Nut M6</i>
9	PS86586A10	2	RDL D6-18 E1.2 <i>Washer D6-18 E1.2</i>
10	1E3123910B-OUT	1	Croix de roue <i>Wheel spanner</i>
11	PS91042A10	3	Agrafe Raymond 26/30 <i>Raymond 26/30 strapple</i>
12	PS85063A10	3	Vis UFK M5x12 cl10.9 CHC <i>screw M5x12 cl10.9</i>
13	6949-29	3	Rondelle plate Ø5x16-1,5 <i>Washer Ø5x16-1,5</i>
14	PS74087A10	3	Ecrou alu 5PA103 <i>Nyltop nut M5</i>
15	CS380088ST	1	Kit Revision cric hydraulique <i>Hydraulic jack overhaul kit</i>

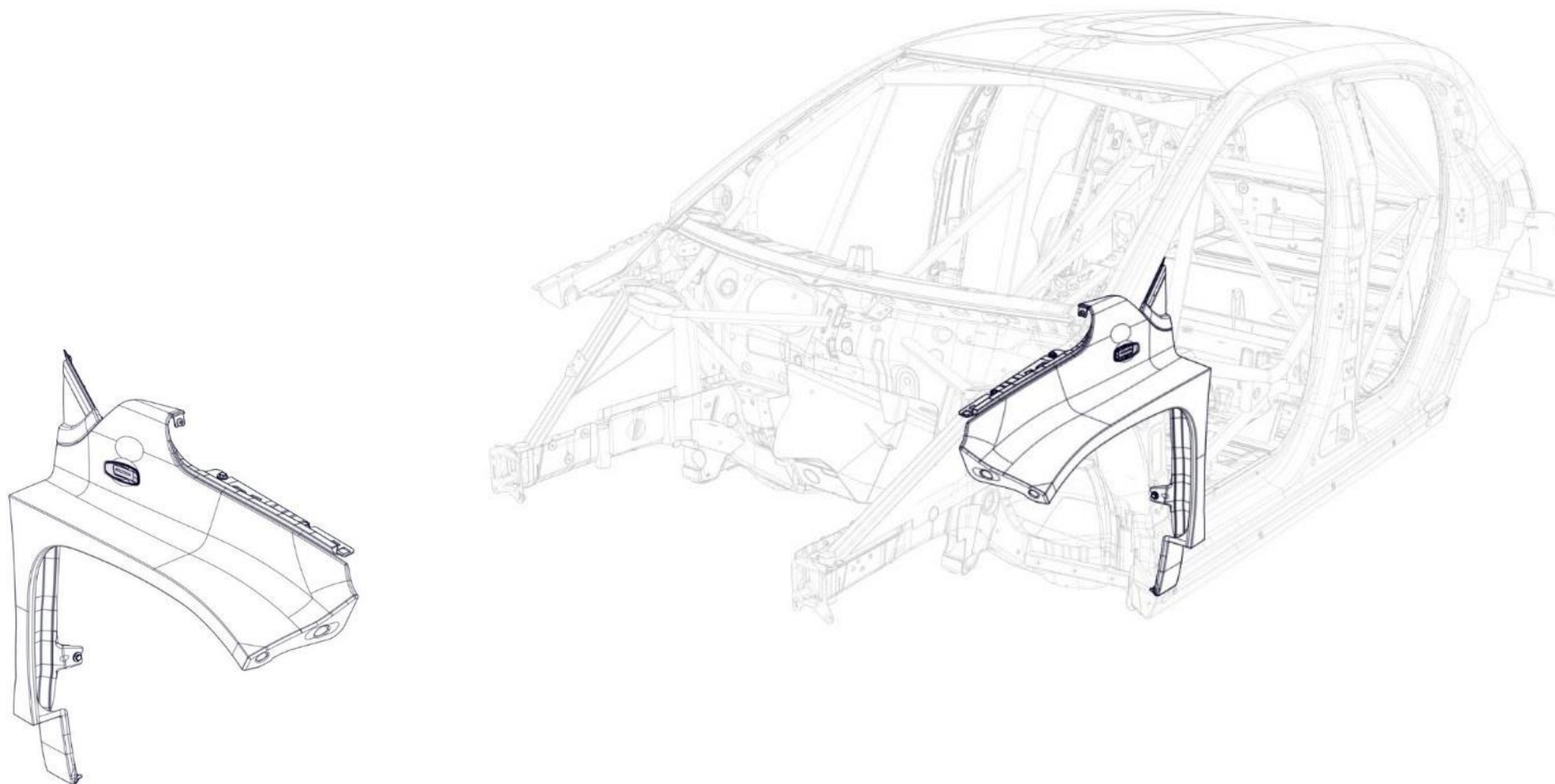


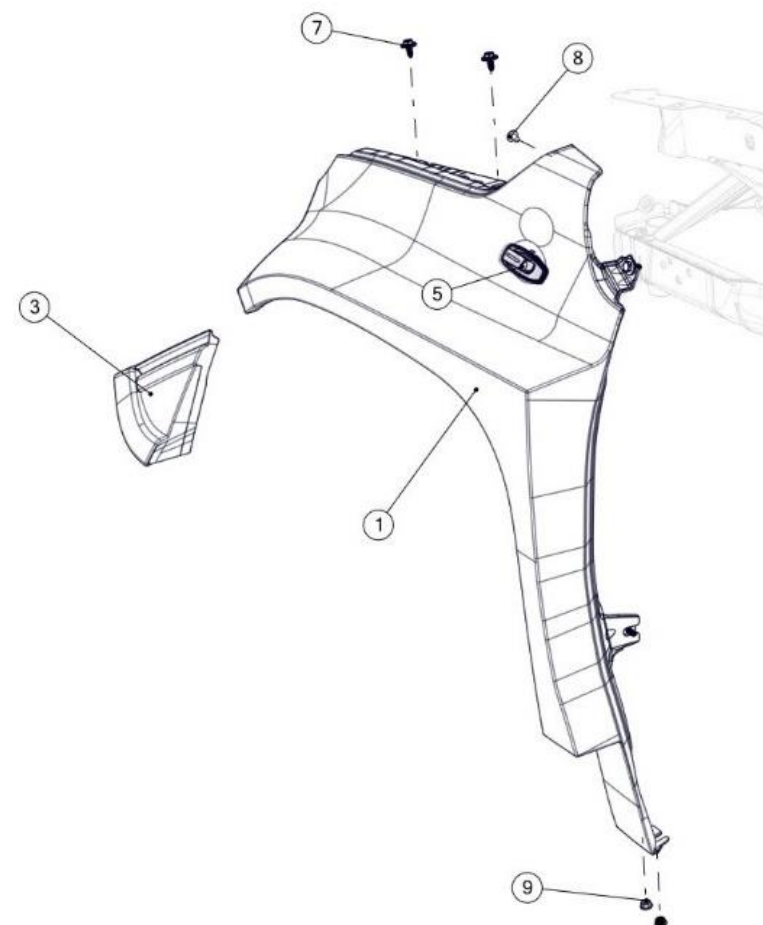
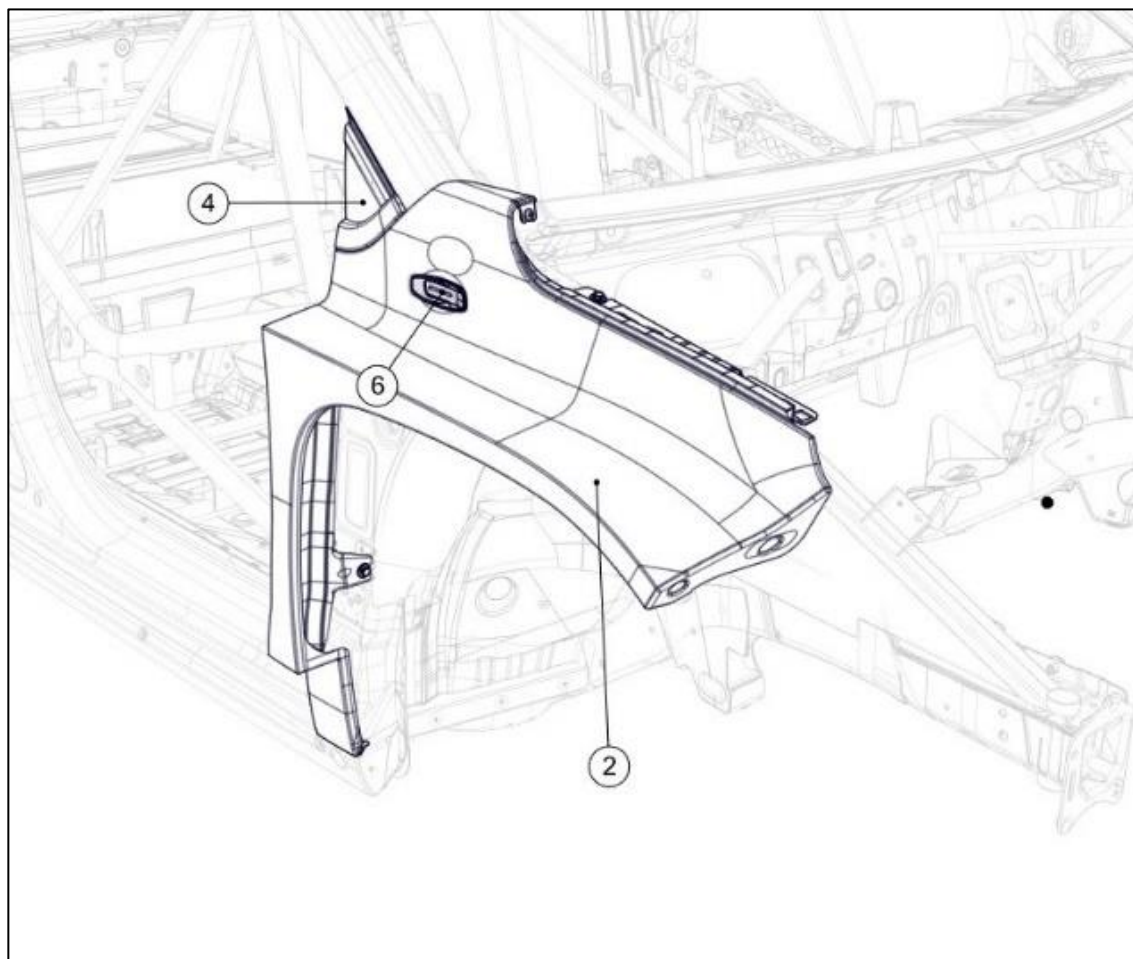
REP	REFERENCE	QTE	DESIGNATION
16	904961328A	1	Cric hydraulique PKM <i>Hydraulic jack PKM</i>
17	904956068C	1	Support sur plancher <i>Floor bracket</i>
18	904968858B	1	Tôle ressort <i>Spring plate</i>
19	ST04300017	3	Rivet aveugle D3.2x6 <i>Rivet D3.2x6</i>
20	904960978B	1	Support verrouillage <i>Locking bracket</i>
21	904948688B	2	Entretoise <i>Spacer</i>
22	904970368A	1	Butée <i>Stop plate</i>
23	904960928B	1	Fourchette <i>Fork</i>
24	904960938B	1	Loquet <i>Latch</i>
25	904961358A	2	Ressort torsion <i>Spring</i>
26	ST05300128	2	Vis CHC M5x50-22 <i>CHC screw M5x50x22</i>
27	693639	2	Ecrou à embase M5 <i>Washer nut M5</i>
28	904949118B	2	Contre plaque <i>Counter plate</i>



K3C AILES AV *FRONT FENDERS*





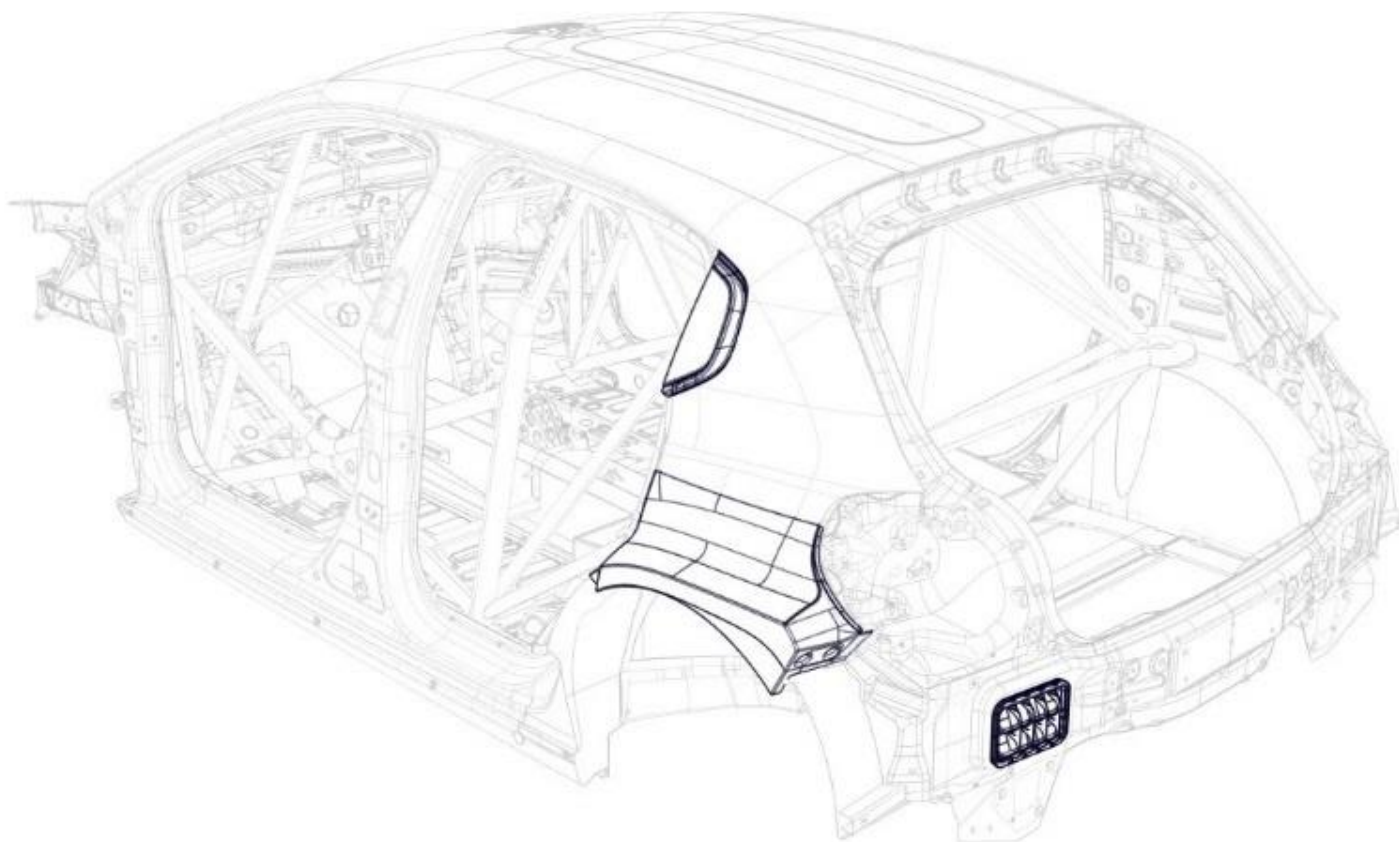


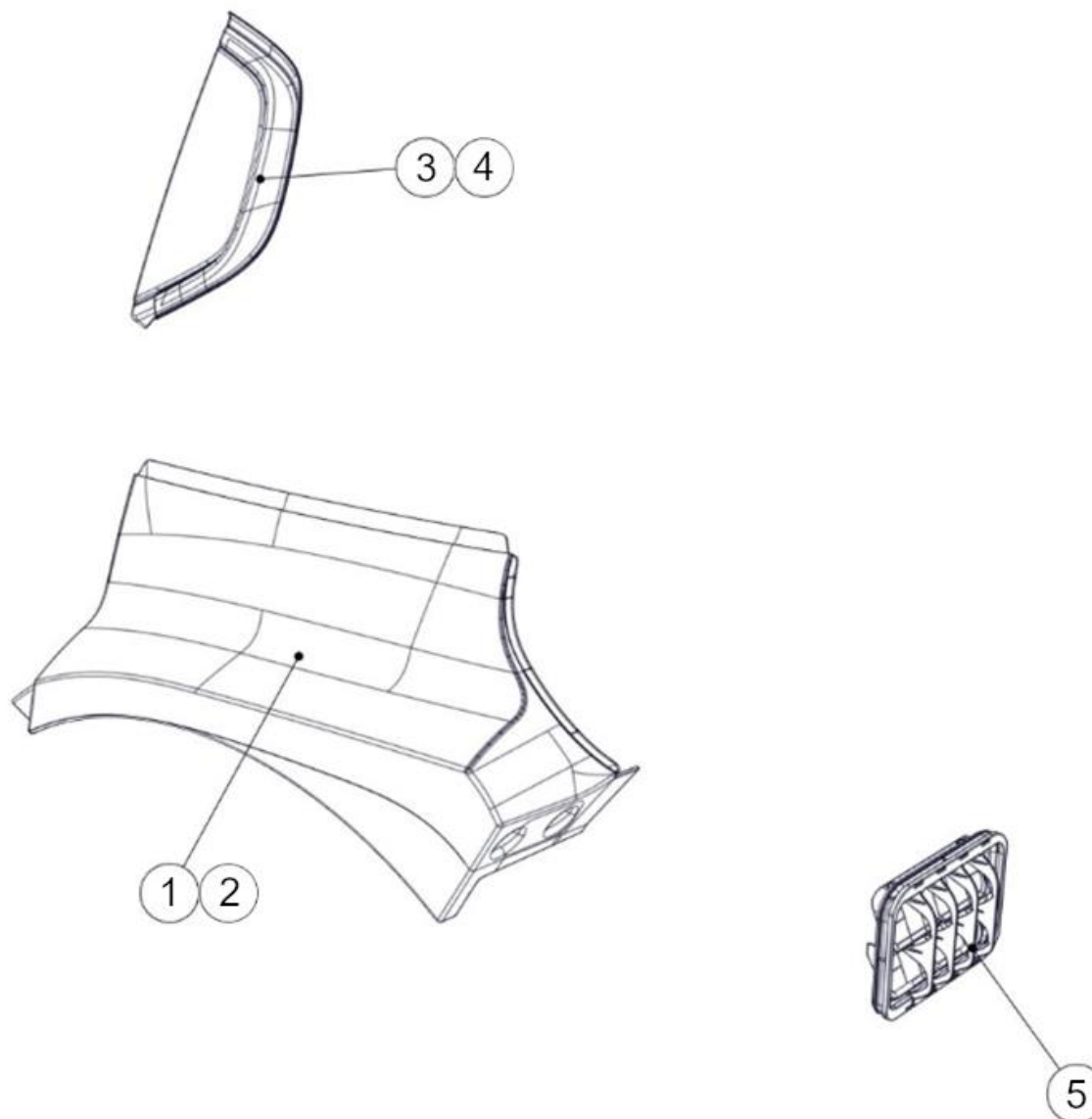
REP	REFERENCE	QTE	DESIGNATION
1	904459778E	1	AILE AVG APPRETEE <i>Prepared FL fender</i>
2	904459788E	1	AILE AVD APPRETEE <i>Prepared FR fender</i>
3	9813323880	1	ENJOLIVEUR JET D'EAU AVG <i>FL drip moulding</i>
4	9813323780	1	ENJOLIVEUR JET D'EAU AVD <i>FR drip moulding</i>
5	6325G5	1	FEU REPETITEUR G <i>Left fender indicator</i>
6	6325G6	1	FEU REPETITEUR D <i>Right fender indicator</i>
7	9674988180	8	VIS H RCL M6x100 L16 <i>Screw H RCL M6X100 L16</i>
8	6924C3	2	VIS RLX M6x12 <i>Screw RXL M6x12</i>
9	6936A9	4	MUL ECROU A EMBASE 6x100 6 10 <i>NUT M6x100</i>



K4E AILES AR *REAR FENDERS*





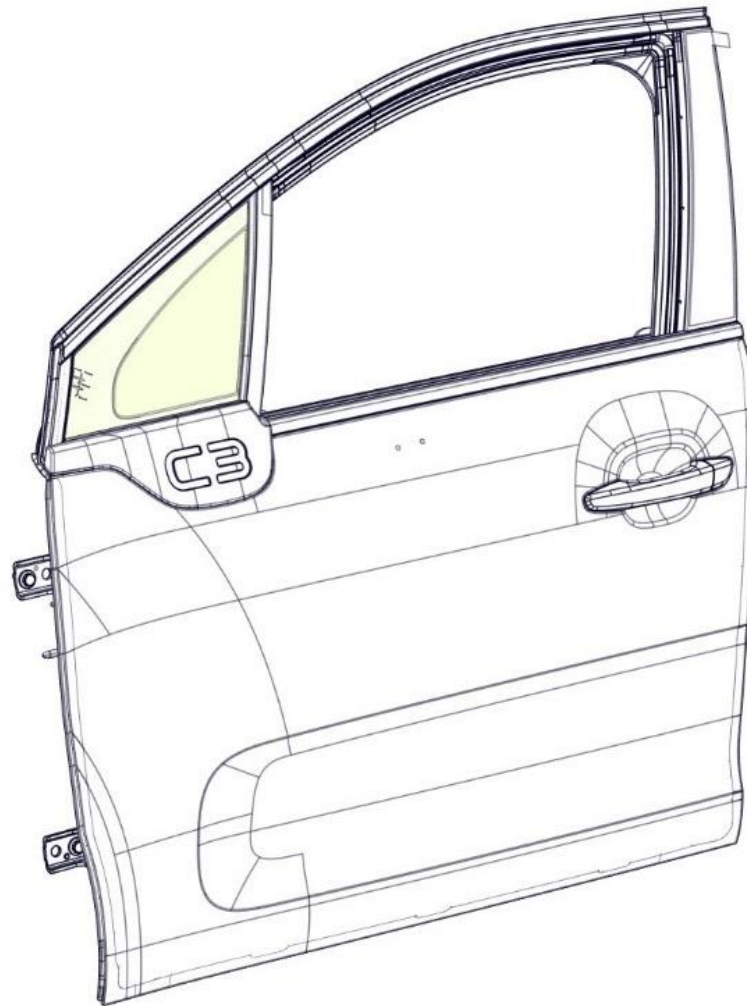


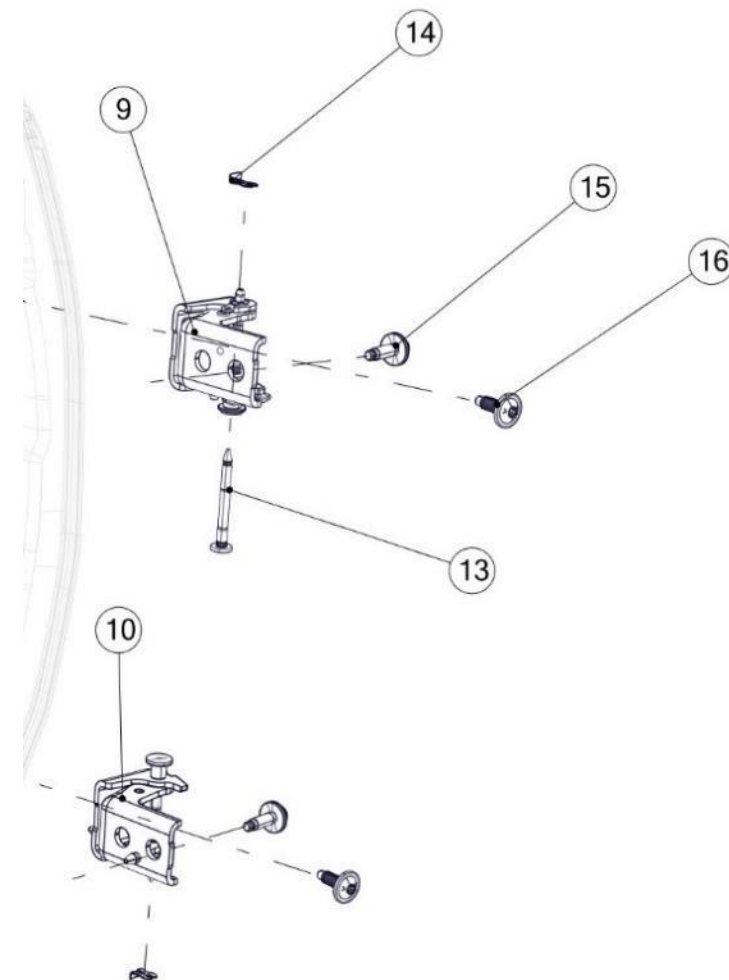
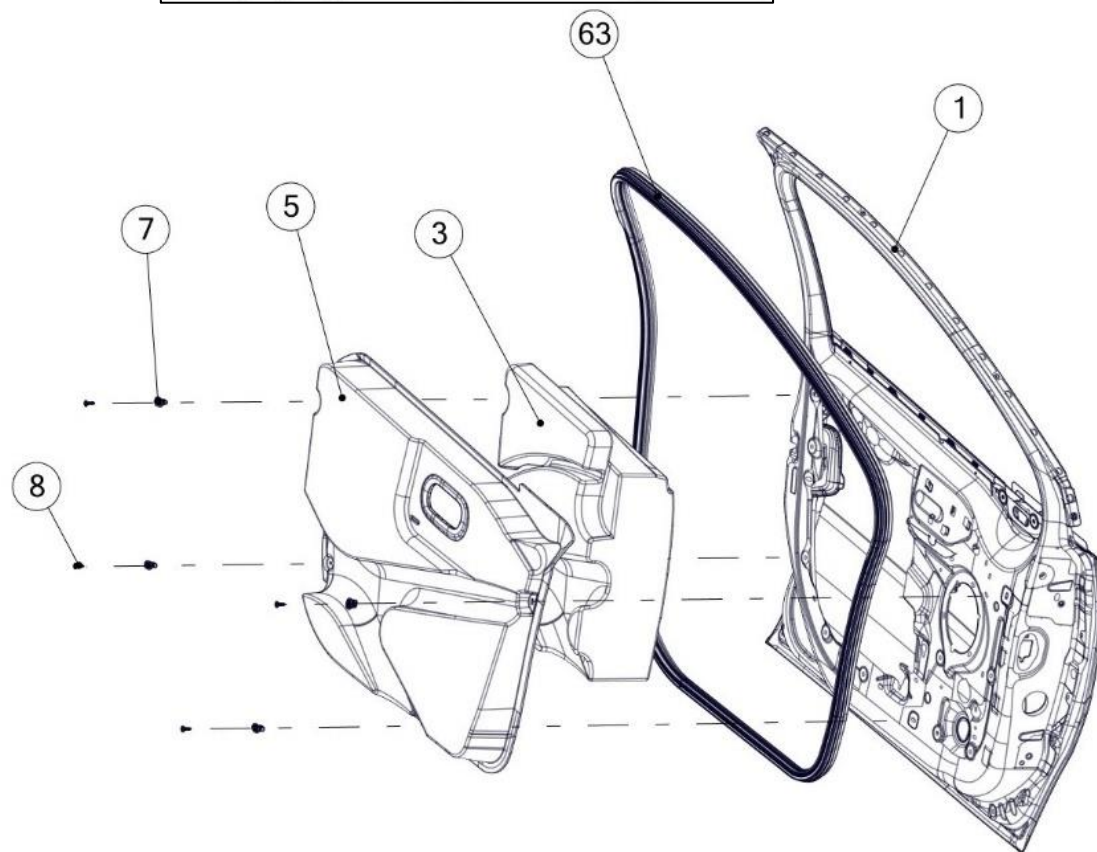
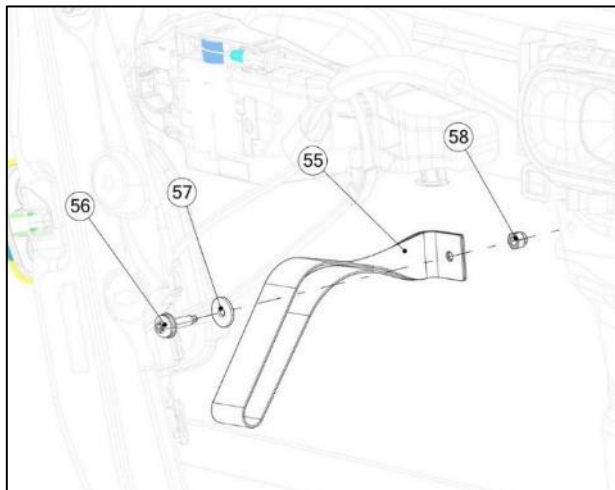
REP	REFERENCE	QTE	DESIGNATION
1	904457918E	1	AILE ARG <i>LR Fender</i>
2	904459838E	1	AILE ARD <i>RR Fender</i>
3	9813324180	1	ENJOLIVEUR AR G <i>RL Moulding RH</i>
4	9813324080	1	ENJOLIVEUR AR D <i>RR Moulding RH</i>
5	8580AA	2	EXTRACTEUR D'AIR AR <i>Rear Air extractor</i>



K7A
PORTE AV
FRONT DOOR



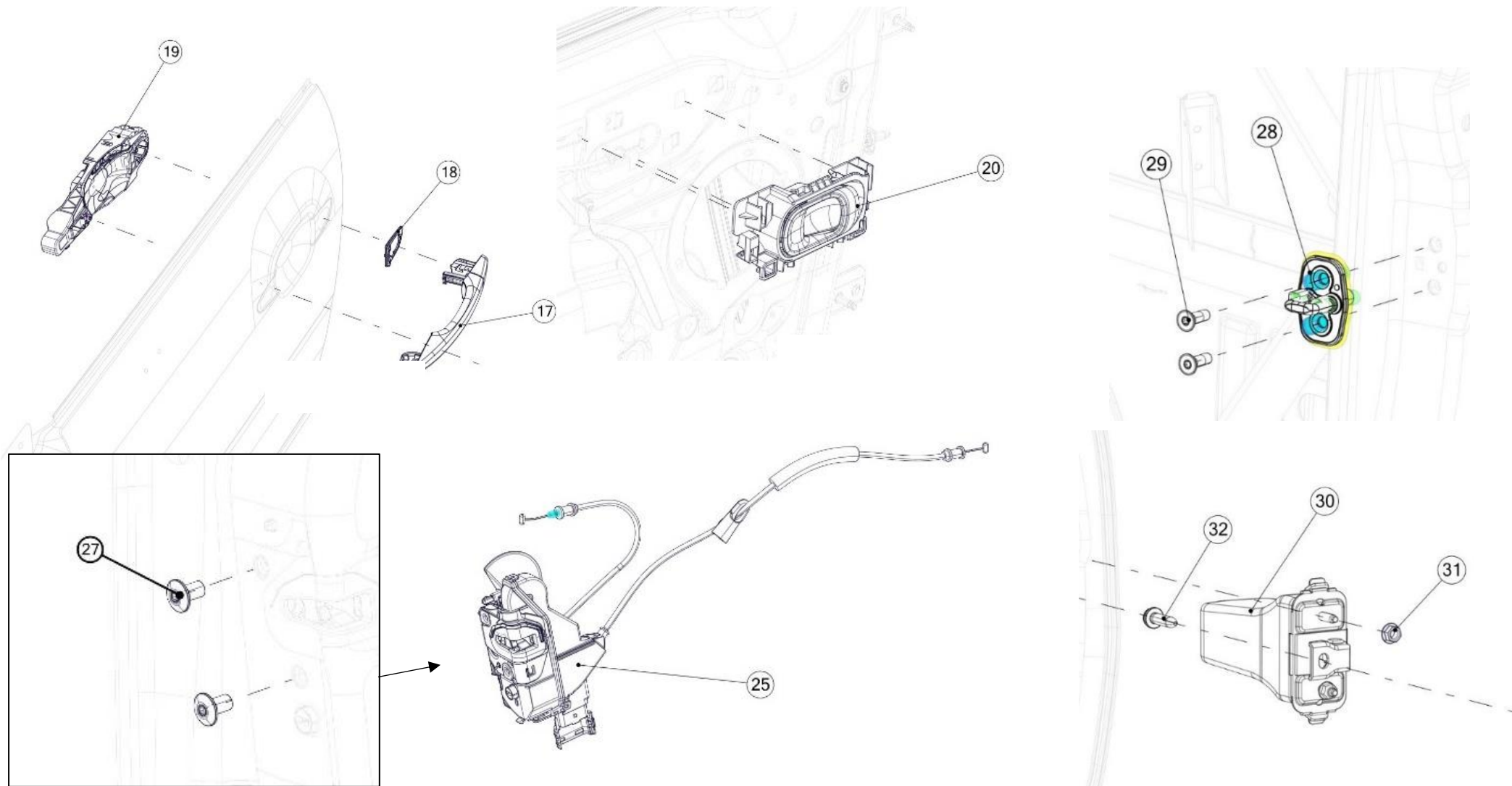




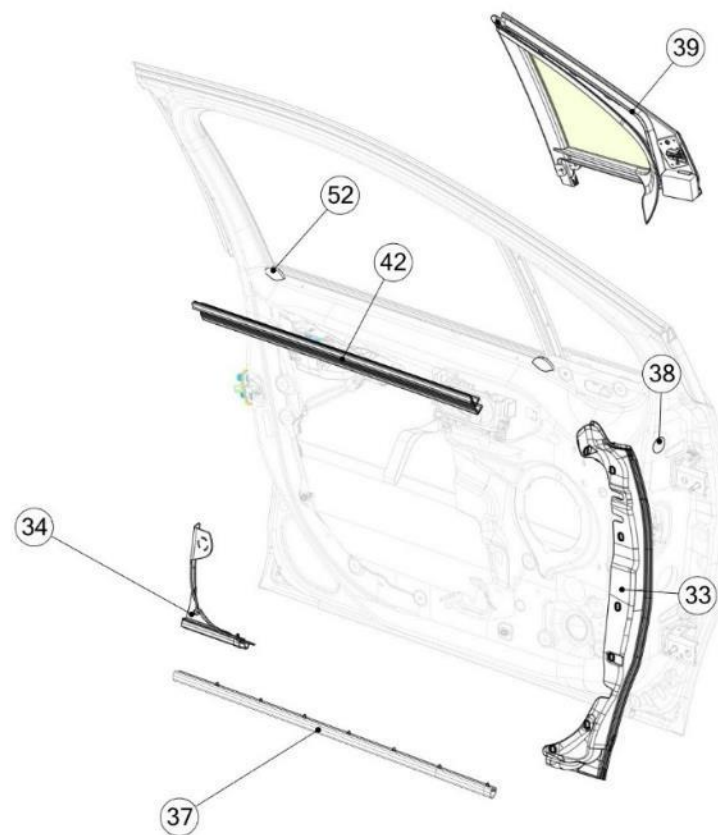
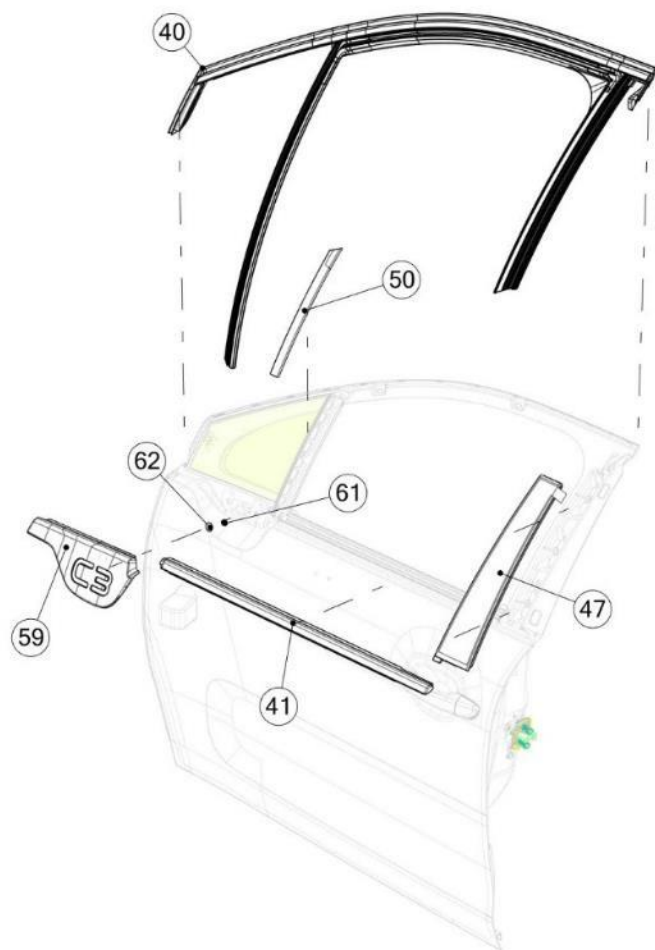
REP	REFERENCE	QTE	DESIGNATION
1	904464658G	1	PORTE AVG DECOUPE <i>Front left door</i>
2	904464668G	1	PORTE AVD DECOUPE <i>Front right door</i>
3	904467358D	1	PADDING PORTE AVG <i>Front left padding</i>
4	904467368D	1	PADDING PORTE AVD <i>Front right padding</i>
5	904467398C	1	PANNEAU PORTE AVG <i>Front left panel</i>
6	904467408C	1	PANNEAU PORTE AVD <i>Front right panel</i>
7	CS240008ST	8	ECROU A SERTIR M6X100 <i>Rivet nut M6x100</i>
8	ST05800002	8	Vis ULF M6x20 c10.9 <i>Screw ULF M6x20</i>
9	9671886980	1	CHARNIERE DE PORTE G SUP <i>Left door upper hinge</i>
10	9671887180	1	CHARNIERE DE PORTE G INF <i>Left door lower hinge</i>
11	9671886880	1	CHARNIERE DE PORTE D SUP <i>Right door upper hinge</i>
12	9671887080	1	CHARNIERE DE PORTE D INF <i>Right door lower hinge</i>
13	9673328180	8	AXE CHARNIERE PORTE <i>Hinge axis</i>
14	9044-44	8	CLIP MAINTIEN <i>Holding clip</i>
15	9674550680	8	VIS DIAM 8x125 <i>Screw DIAM 8x125</i>
16	6924F5	8	VIS RLX STD M8x26 <i>Screw RLX STD M8x26</i>
63	9813059580	2	JOINT ENTREE PORTE AV <i>Front door seal</i>

REP	REFERENCE	QTE	DESIGNATION
55	3X4A21024A	2	SANGLE DE PORTE <i>Door strap</i>
56	7903006100	2	VIS CBLX M5X0,80 <i>Screw CBLX M5X0,80</i>
57	6949-29	2	RONDELLE PLATE Ø5x16-1,5 <i>Washer Ø5x16-1,5</i>
58	693673	2	ECROU FREIN M5x5,4x8 <i>Locknut M5x5,4x8</i>
	1606409780*	8	Mousse ruban TH 10x10 Lg 171cm <i>Foam seal TH 10x10 Lg 171cm</i>
63'	904704438A*	4	Mousse étanchéité portes light <i>Door foam seal light</i>

* Pas représenté / Not represented



REP	REFERENCE	QTE	DESIGNATION
17	98029783XT	1	POIGNEE EXT G NEUTRE <i>External left handle</i>
18	9802977780	1	EMBASE POIGNEE G <i>Left handle shim</i>
19	9802977380	1	ETRIER FIX POIGNEE G <i>Left door handle holder</i>
20	98012886VV	1	COMMANDE INT G <i>Inside left door handle</i>
21	98029782XT	1	POIGNEE EXT D NEUTRE <i>External right handle</i>
22	9802977680	1	EMBASE POIGNEE D <i>Right handle shim</i>
23	9802977180	1	ETRIER FIX POIGNEE D <i>Right door handle holder</i>
24	98012885VV	1	COMANDE INT D POIGNE D <i>Inside right door handle</i>
25	9812398180	1	SERRURE PORTE VERROUILLAGE SIMPLE AV G <i>Left latch assy</i>
26	9812398080	1	SERRURE PORTE VERROUILLAGE SIMPLE AV D <i>Right latch assy</i>
27	9677682180	4	VIS DE SERRURE M8X125 <i>Latch screw M8x125</i>
28	916468	4	GACHE ASSEMBLEE <i>Sticker</i>
29	9678660980	8	VIS FX M8x125 L25 <i>Screw FX M8x125 L25</i>
30	9823917080	4	ARRET DE PORTE AV <i>Front door stop</i>
31	1611567380	2	MUL ECROU A EMBASE 6x100-6-10 <i>Flange nut 6x100-6-10</i>
32	9676294980	4	VIS ARRET DE PORTE <i>Stop door screw</i>

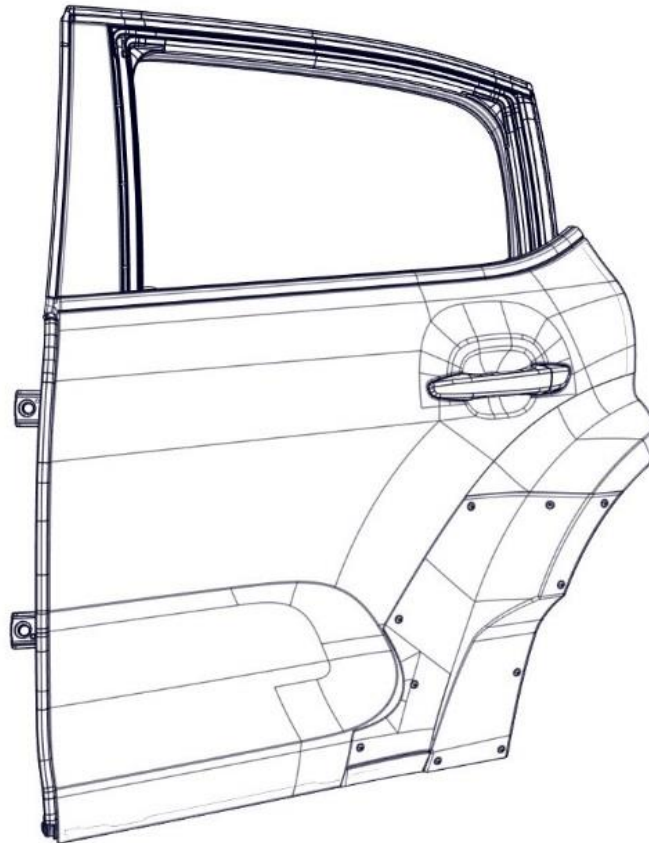


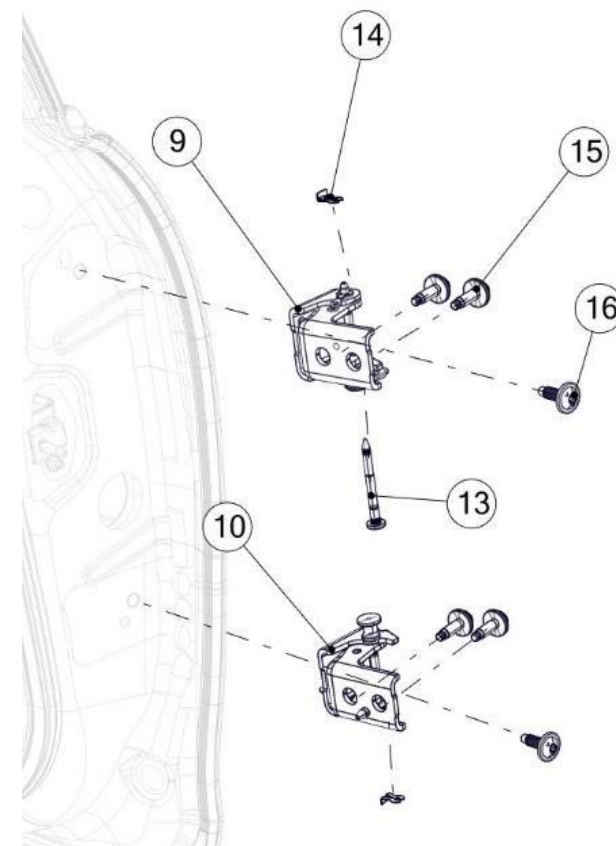
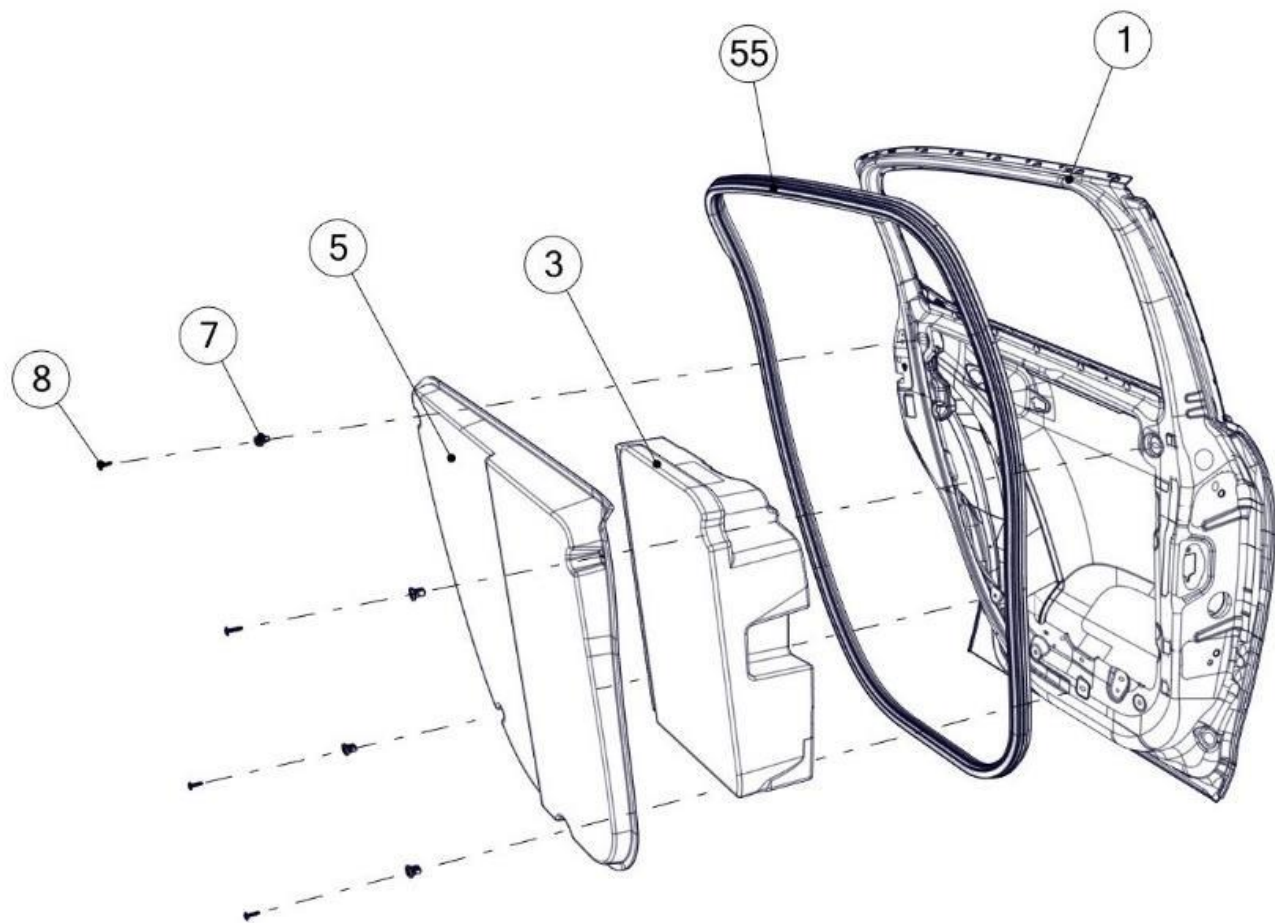
REP	REFERENCE	QTE	DESIGNATION
33	9813243780	1	JOINT DE PORTE G <i>Left door seal</i>
34	9818630080	1	ELEMENT ETANCHE G <i>Left door seal rear</i>
35	9813243680	1	JOINT DE PORTE D <i>Right door seal</i>
36	9818629880	1	ELEMENT ETANCHE D <i>Right door seal rear</i>
37	9818388180	2	JOINT <i>Lower door seal</i>
38	7467Y0	2	OBTURATEUR ADHESIF DIAM 30mm <i>Hole plug DIAM 30</i>
39	9813154880	1	VITRE FIX G PORTE <i>Left quarter glass</i>
40	9813201980	1	COULISSE VITRE PORTE G <i>FL glass run channel</i>
41	9813218080	1	LECHEUR EXT VITRE PORTE G <i>FL door moulding</i>
42	9813215680	1	LECHEUR INT VITRE PORTE G <i>FL door weather strip</i>
43	9813154780	1	VITRE FIX D PORTE <i>Right quarter glass</i>
44	9813201880	1	COULISSE VITRE PORTE D <i>FR glass run channel</i>
45	9813217280	1	LECHEUR EXT VITRE PORTE D <i>FR door moulding</i>
46	9813215580	1	LECHEUR INT VITRE PORTE D <i>FR door weather strip</i>
47	9813248080	1	ENJOLIVEUR G AVANT <i>FL Sash trim</i>

REP	REFERENCE	QTE	DESIGNATION
48	9813247980	1	ENJOLIVEUR D AVANT <i>FR Sash trim</i>
49	6974A5	6	MUL RIVET <i>Rivet</i>
50	9813155080	1	ENJOLIVEUR GUIDE COULISSE G <i>Front left channel</i>
51	9813154980	1	ENJOLIVEUR GUIDE COULISSE D <i>Front right channel</i>
52	9823056780	4	ETANCHEITE AR <i>Rear moulding</i>
53	697305	4	RIVET 4,8 LON 9 <i>Rivet 4,8 LON 9</i>
54	1622750380	2	AGRAFE <i>Staple</i>
59	904457938B	1	EMBASE RETRO COTE GAUCHE <i>Left side mirror support</i>
60	904469508B	1	EMBASE RETRO COTE DROIT <i>Right side mirror support</i>
61	PS74040A10	2	ECROU-H-M6 <i>Nut H-M6</i>
62	PS86586A10	2	RONDELLE PLATE 6 D18 E1.2 <i>Washer D18 E1.2</i>

K7A
PORTE AR
REAR DOOR

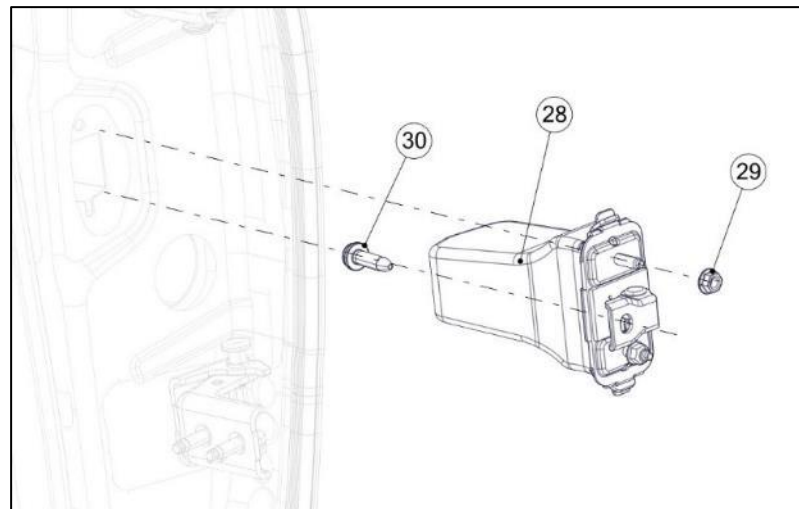
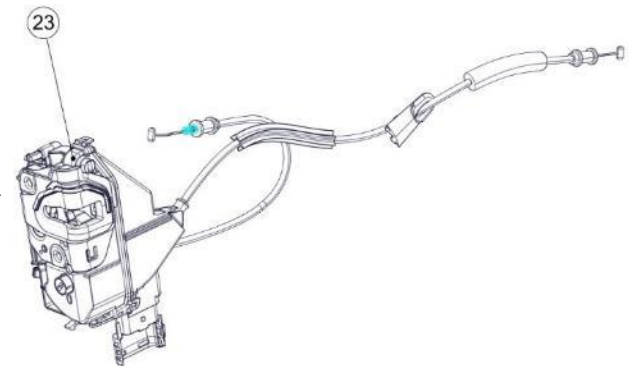
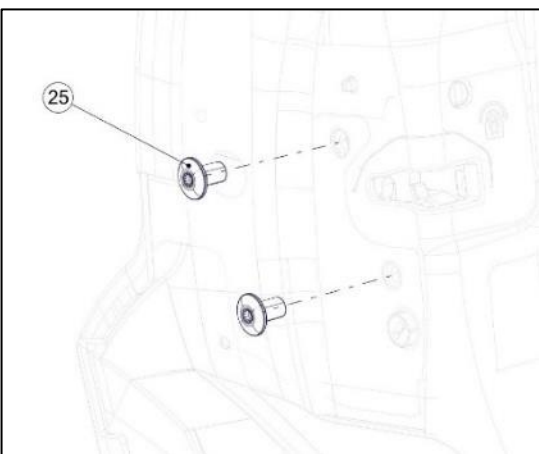
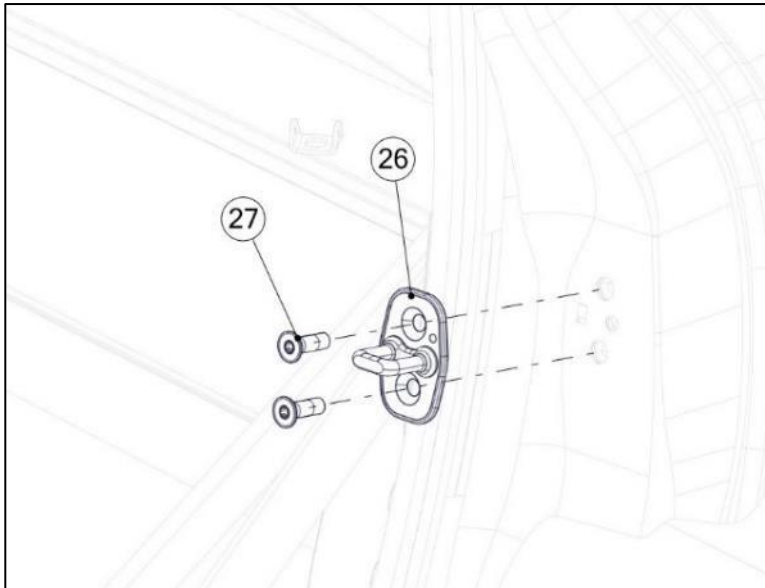
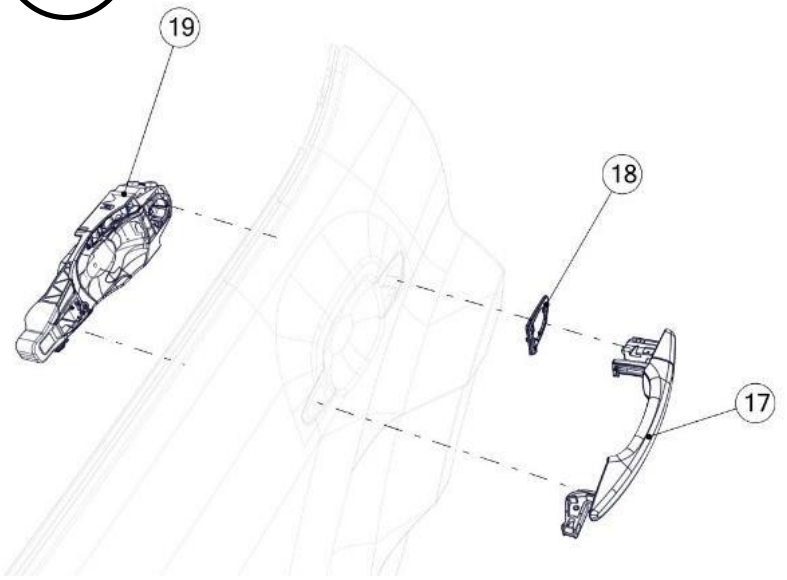




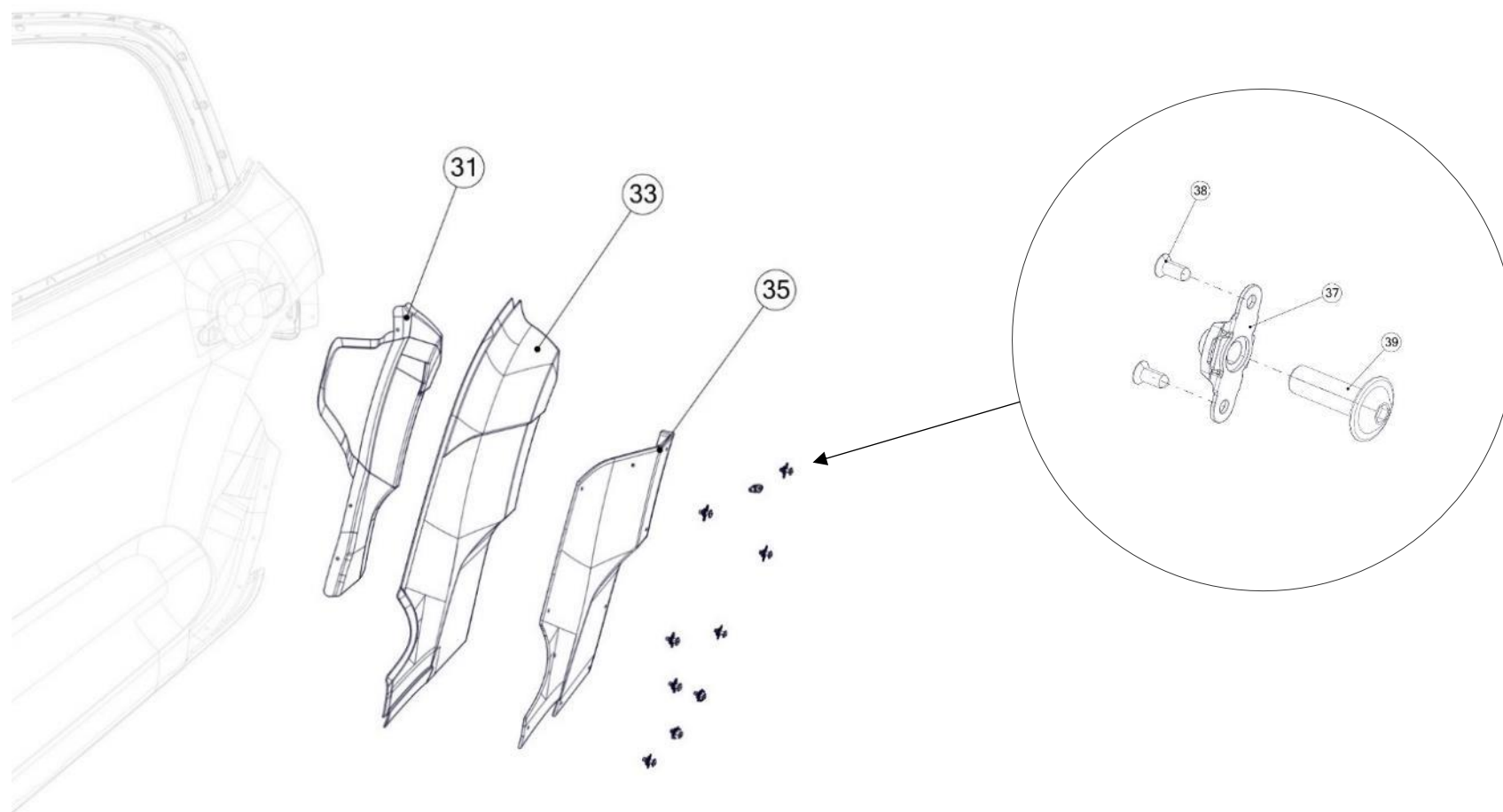


REP	REFERENCE	QTE	DESIGNATION
1	904464688E	1	PORTE ARG DECOUPE <i>Rear left door</i>
2	904464698E	1	PORTE ARD DECOUPE <i>Rear right door</i>
3	904467378C	1	PADDING PORTE ARG <i>Rear left door padding</i>
4	904467388C	1	PADDING PORTE ARD <i>Rear right door padding</i>
5	904467418B	1	PANNEAU PORTE ARG <i>Rear left door panel</i>
6	904467428B	1	PANNEAU PORTE ARD <i>Rear right door panel</i>
7	CS240008ST	8	ECROU A SERTIR M6X100 <i>Rivet nut M6x100</i>
8	PS82640A10	8	Vis ULF M6x20 cl10.9 <i>Screw ULF M6x20</i>
9	9671886980	1	CHARNIERE DE PORTE G SUP <i>Left door upper hinge</i>
10	9671887180	1	CHARNIERE DE PORTE G INF <i>Left door lower hinge</i>
11	9671886880	1	CHARNIERE DE PORTE D SUP <i>Right door upper hinge</i>
12	9671887080	1	CHARNIERE DE PORTE D INF <i>Right door lower hinge</i>
13	9673328180	4	AXE CHARNIERE PORTE <i>Hinge axis</i>
14	9044-44	4	CLIP MAINTIEN <i>Holding clip</i>
15	9674550680	8	VIS DIAM 8x125 <i>Screw DIAM 8x125</i>
16	6924F5	4	VIS RLX STD M8x26 <i>Screw RLX STD M8x26</i>
55	9813059680	2	JOINT ENTRÉE PORTE AR <i>Rear Door seal</i>
	1606409780*	4	Mousse ruban TH 10x10 Lg 171cm <i>Foam seal TH 10x10 Lg 171cm</i>
55'	904704438A*	4	Mousse étanchéité portes light <i>Door foam seal light</i>

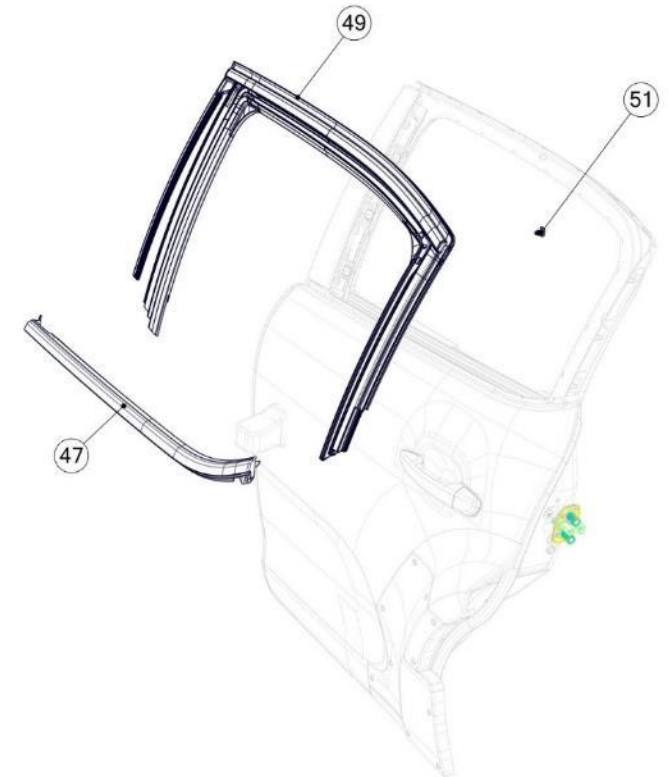
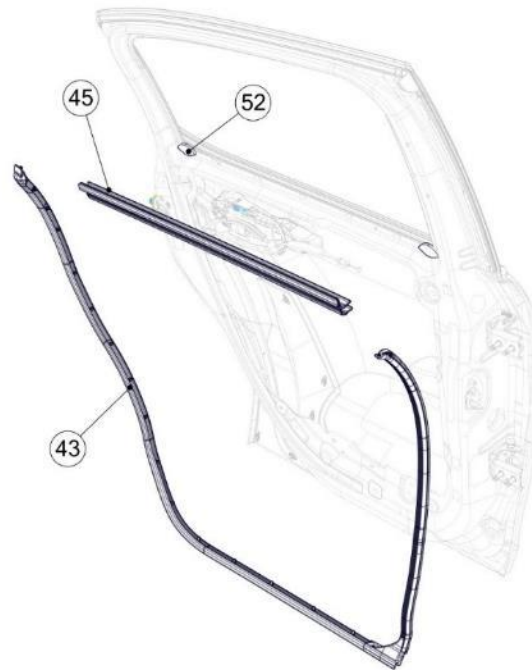
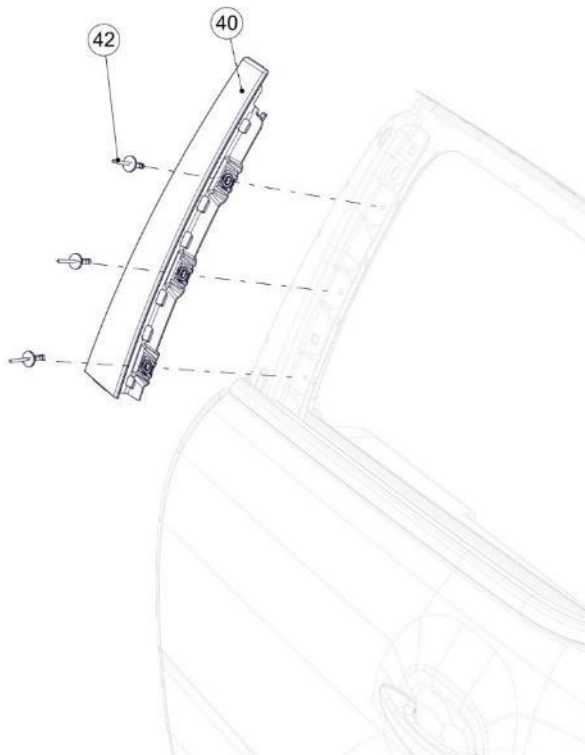
* Pas représenté / Not represented
[Sommaire – Table of content](#)



REP	REFERENCE	QTE	DESIGNATION
17	98029783XT	1	POIGNEE EXT G NEUTRE <i>External left handle</i>
18	9802977780	1	EMBASE POIGNEE G <i>Left handle shim</i>
19	9802977380	1	ETRIER FIX POIGNEE G <i>Left door handle holder</i>
20	98029782XT	1	POIGNEE EXT D NEUTRE <i>External right handle</i>
21	9802977680	1	EMBASE POIGNEE D <i>Right handle shim</i>
22	9802977180	1	ETRIER FIX POIGNEE D <i>Right door handle holder</i>
23	9812398580	1	SERRURE DE PORTE G <i>Left latch assy</i>
24	9812398480	1	SERRURE DE PORTE D <i>Right latch assy</i>
25	9677682180	4	VIS DE SERRURE M8X125 <i>Latch screw M8x125</i>
26	916468	2	GACHE ASSEMBLEE <i>Sticker</i>
27	9678660980	4	VIS FX M8x125 L25 <i>Screw FX M8x125 L25</i>
28	9823917180	2	ARRET DE PORTE AR <i>Rear door stop</i>
29	1611567380	4	MUL ECROU A EMBASE 6x100-6-10 <i>Flange nut 6x100-6-10</i>
30	9676294980	2	VIS ARRET DE PORTE <i>Stop door screw</i>



REP	REFERENCE	QTE	DESIGNATION
31	904465108C	1	SUPP ELARGISSEUR PORTE ARG <i>RL door extension support</i>
32	904465118C	1	SUPP ELARGISSEUR PORTE ARD <i>RR door extension support</i>
33	904457908E	1	ELARGISSEUR PORTE ARG <i>RL door extension</i>
34	904459848E	1	ELARGISSEUR PORTE ARD <i>RR door extension</i>
35	904460408D	1	PROTECTION PORTE ARG <i>RL door protection</i>
36	904460418D	1	PROTECTION PORTE ARD <i>RR door protection</i>
37	PS74573A10	20	ECROU FLOTTANT M5 <i>Floating nut M5</i>
38	PS92501A10	40	RIVET NUT PLATE F 2.4 L1.6 A 3.2 <i>Rivet F 2.4 L1.6 A3.2</i>
39	PS82635A10	20	VIS ULF M5x80 L16 <i>Screw M5 L16</i>

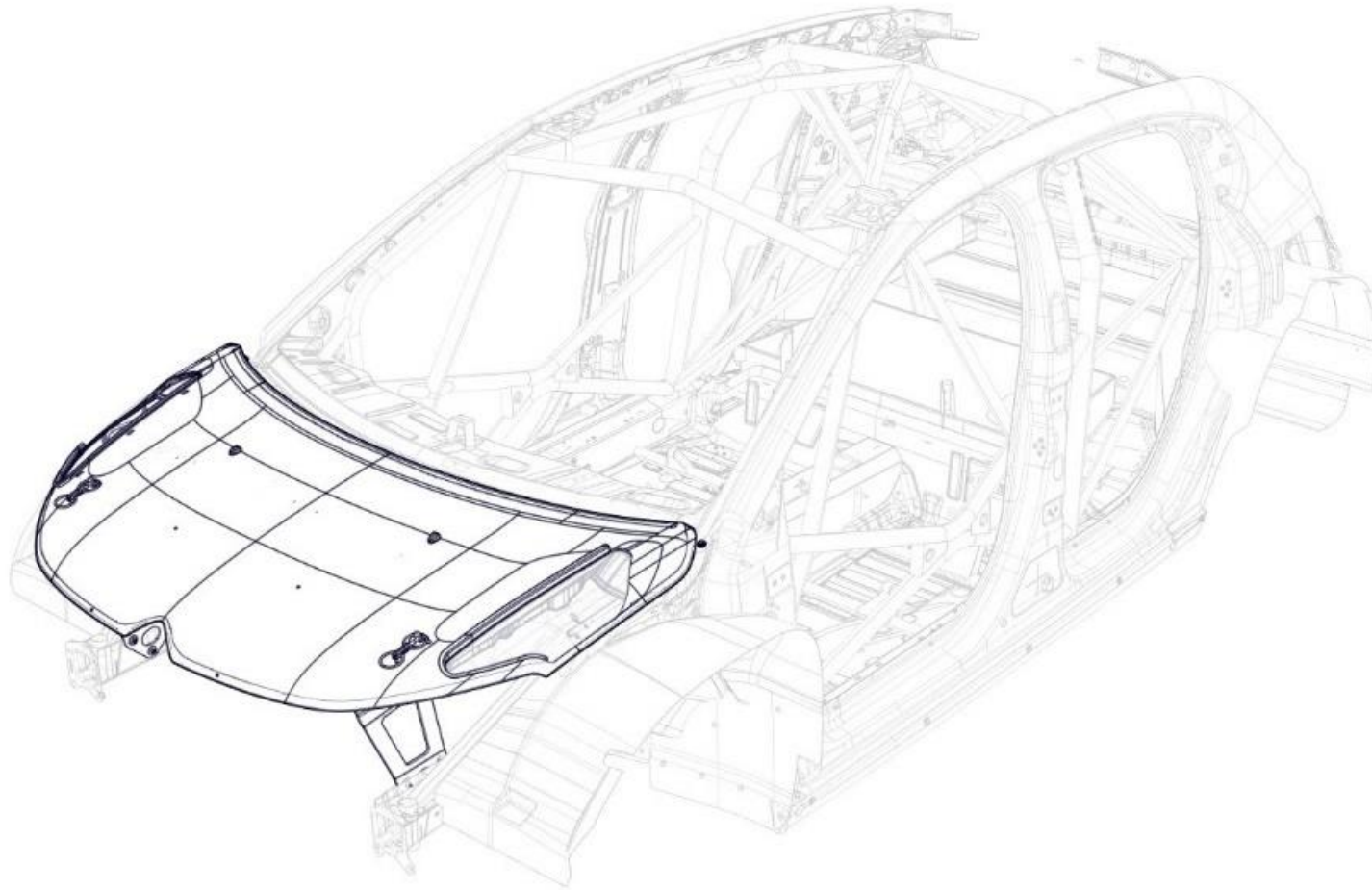


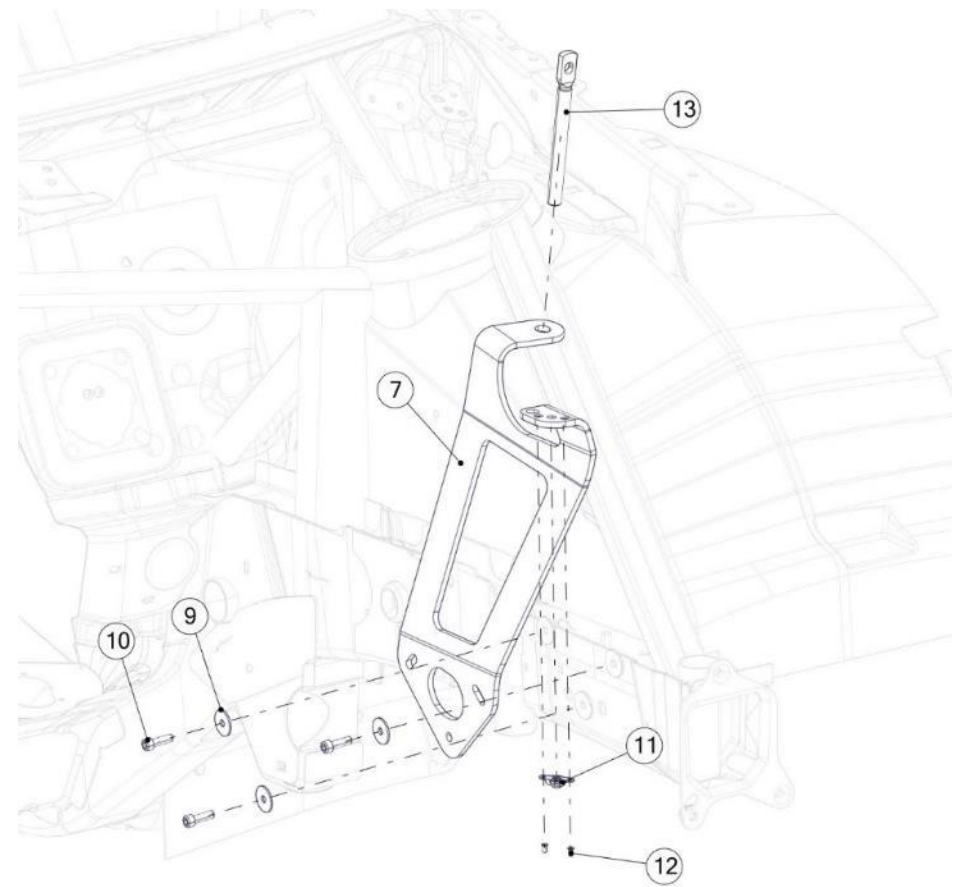
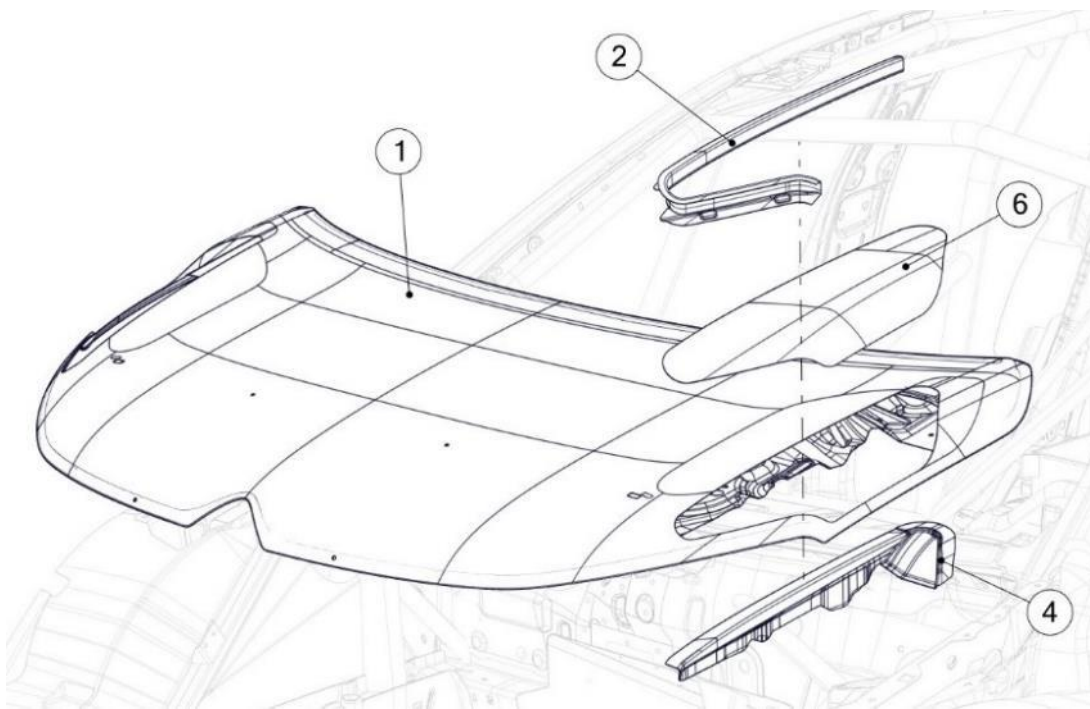
REP	REFERENCE	QTE	DESIGNATION
40	9813248280	1	ENJOLIVEUR AV PORTE ARG NOIR MAT <i>RL Sash trim black</i>
41	9813248180	1	ENJOLIVEUR AV PORTE ARD NOIR MAT <i>RL Sash trim black</i>
42	6974A5	6	MUL RIVET <i>Rivet</i>
43	9818388580	1	JOINT BAS DE MARCHE G <i>Inner left weather strip</i>
44	9818382680	1	JOINT BAS DE MARCHE D <i>Inner right weather strip</i>
45	9813215880	1	LECHEUR INT VITRE G <i>RL door weather strip</i>
46	9813215780	1	LECHEUR INT VITRE D <i>RR door weather strip</i>
47	9813218580	1	LECHEUR EXT VITRE G <i>RL door moulding</i>
48	9813218480	1	LECHEUR EXT VITRE D <i>RR door moulding</i>
49	9813202180	1	COULISSE VITRE G <i>RL glass run channel</i>
50	9813202080	1	COULISSE VITRE D <i>RR glass run channel</i>
51	9677359880	2	AGRAFE <i>Staple</i>
52	9823056780	4	ETANCHEITE AR <i>Rear moulding</i>
	7467Y0	2	OBTURATEUR ADHESIF DIAM 30 <i>Hole plug DIAM 30</i>
	698342	4	OBTURATEUR D12-7,5 <i>Hole plug D12-7,5</i>



**K7B
CAPOT
BONNET**



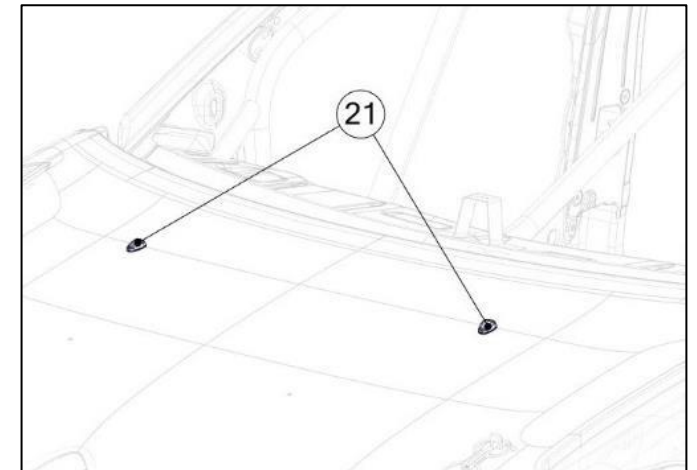
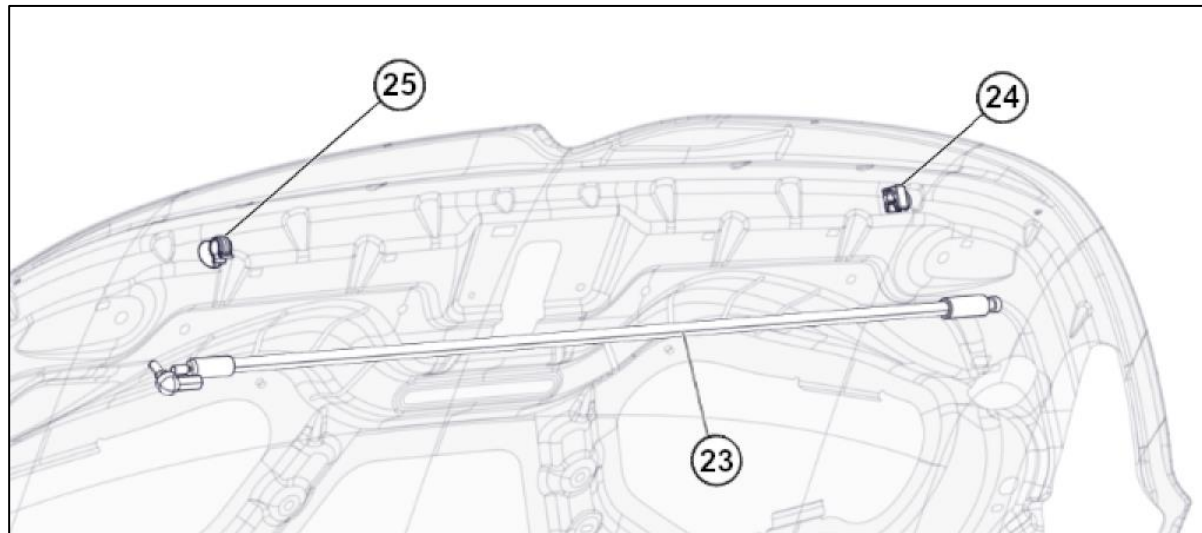
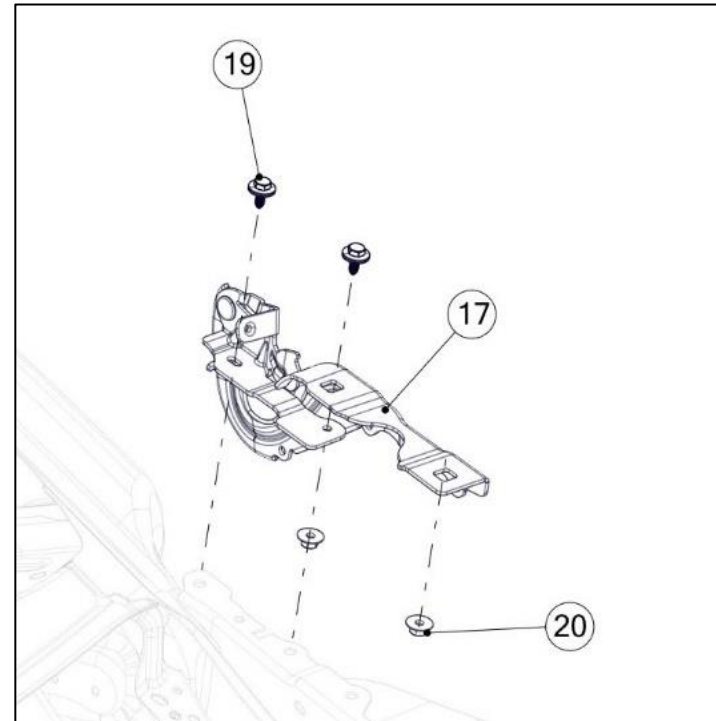
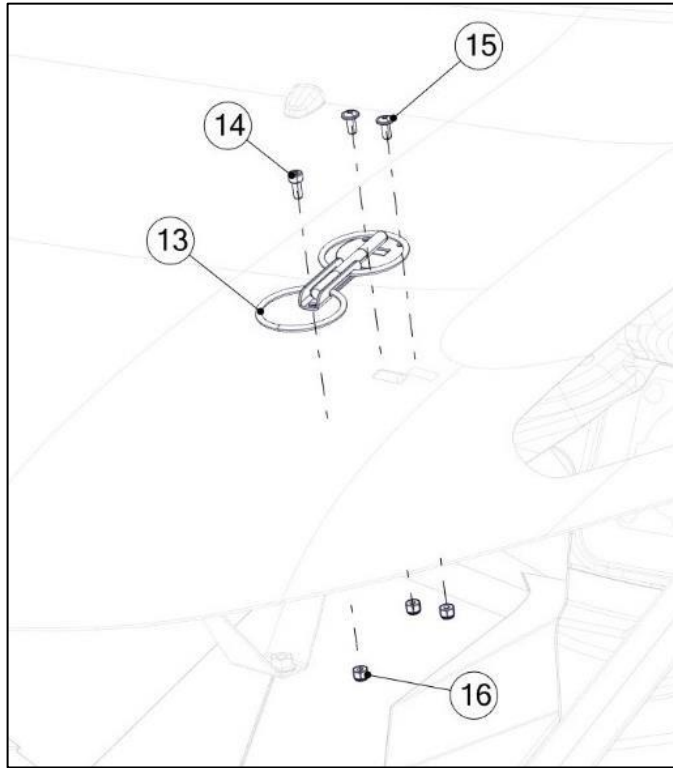




REP	REFERENCE	QTE	DESIGNATION
1	904464558B	1	CAPOT AV DECOUPE Prepared bonnet
2	904496108B	1	DEFLECTEUR CAPOT G <i>Left bonnet deflector</i>
3	904496128B	1	DEFLECTEUR CAPOT D <i>Right bonnet deflector</i>
4	904496118A	1	JONCTION CAPOT DOUBLURE G <i>Left bonnet inner panel deflector</i>
5	904496138A	1	JONCTION CAPOT DOUBLURE D <i>Right bonnet inner panel deflector</i>
6	904496168B	2	GRILLE CAPOT <i>Bonnet mesh</i>
7	904477918D	1	SUPPORT PIN CAPOT G <i>Left bonnet pin bracket</i>
8*	904477908F	1	SUPPORT PIN CAPOT D <i>Right bonnet pin bracket</i>
9	694737	6	RONDELLE PLATE 6x22-1,5 <i>Washer 6x22-1.5</i>
10	9674988180	6	VIS H M6x16 <i>Screw H M6x16</i>
11	PS74673A10	2	ECROU PRI M6x1.00 <i>anchor Nut PRI M6x1.00</i>
12	PS92639A10	4	RIVET TF ALU D3.2x8 <i>Rivet TF Alu D3.2x8</i>

* : *Support compatible avec béquille 904931078B*

* : *Bracket compatible with bonnet stay 904931078B*

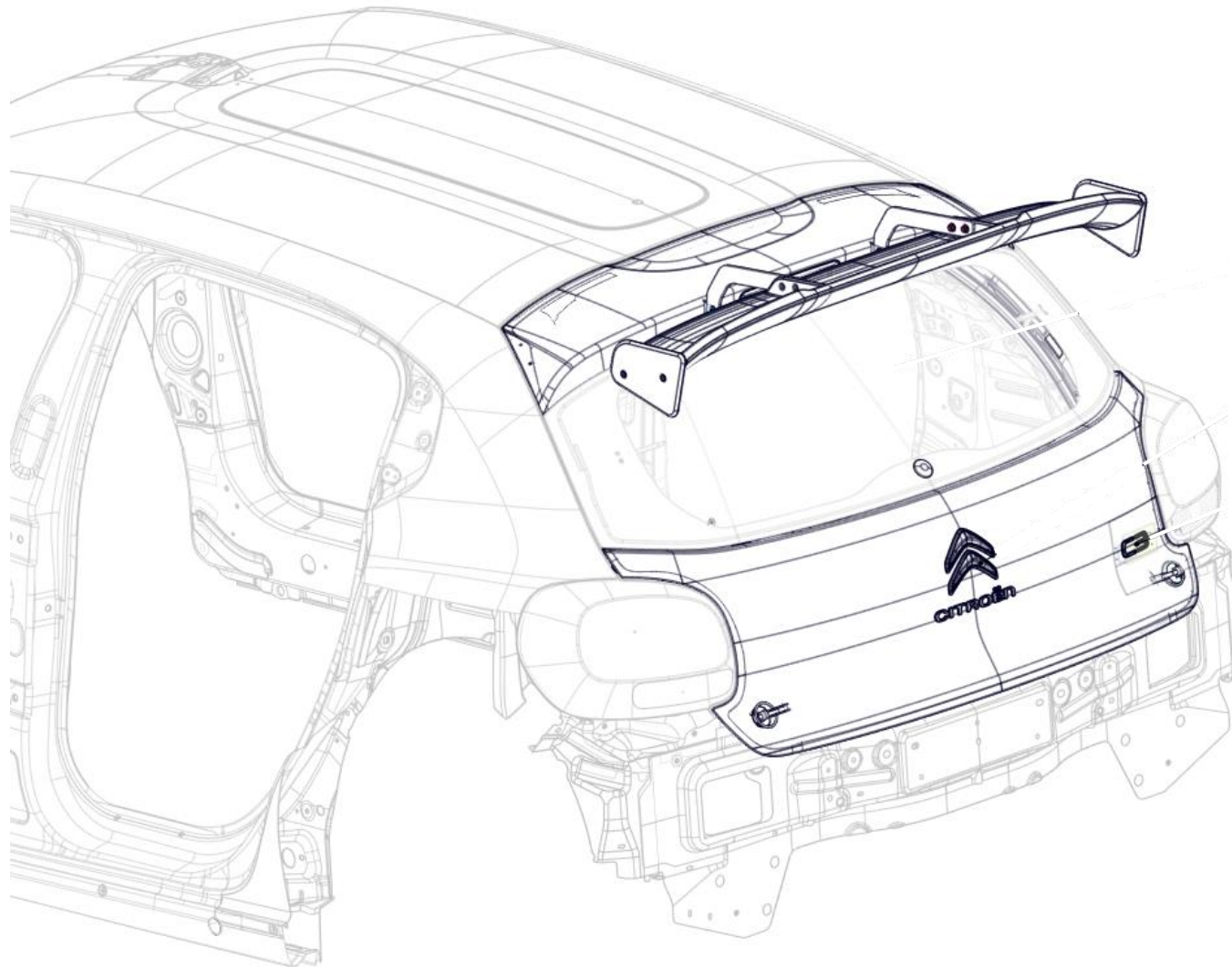


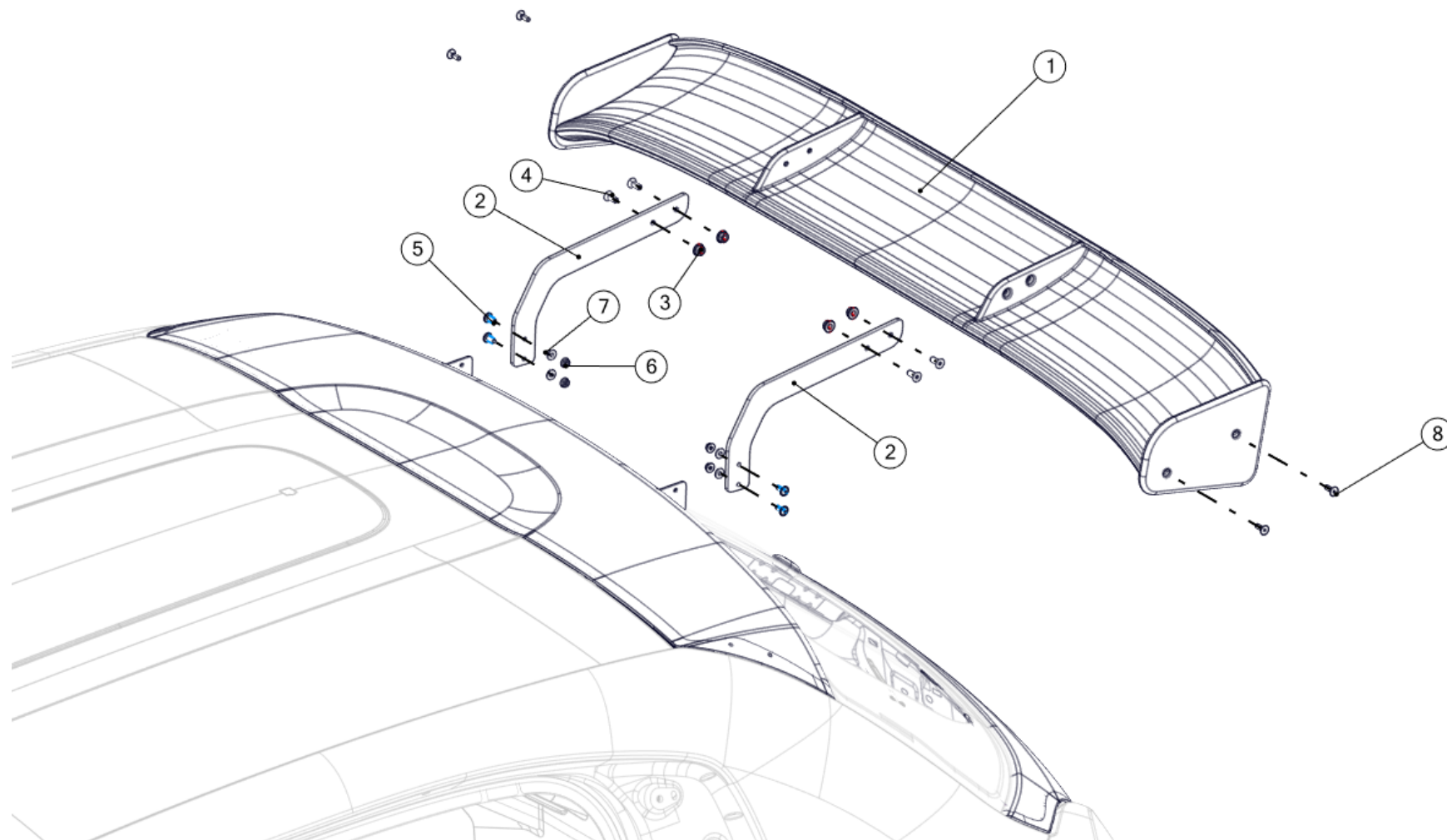
REP	REFERENCE	QTE	DESIGNATION
13	RC7919967A	1	JEU ATTACHES CAPOT <i>Bonnet pins set</i>
14	PS82032A10	2	VIS CHC M4x10 CL12.9 <i>Screw CHC M4x10 CL12.9</i>
15	PS82628A10	4	VIS ULF M4x10 CL10.9 <i>Screw ULF M4x10 CL10.9</i>
16	ST02500009	6	ECROU FREIN HM M4 <i>Lock Nut HM M4</i>
17	9812778580	1	CHARNIERE CAPOT GAUCHE <i>Left bonnet hinge</i>
18	9812778480	1	CHARNIERE CAPOT DROIT <i>Right bonnet hinge</i>
19	9674988180	4	VIS H RCL M6x100 L16 <i>Screw H RCL M6x100 L16</i>
20	6939C0	4	ECROU RDL M6x20 <i>Nut RDL M6x20</i>
21	9808301880	2	GICLEUR <i>Water JET</i>
22	9812912180	1	TUYAU LAVE VITRE ENSEMBLE <i>WS washer pipe</i>
23	904931078B	1	BEQUILLE CAPOT EVO <i>Bonnet stay EVO</i>
24	792831	1	AGRAFE FIX 8 TROU 12 H16 <i>Staple 12 H16</i>
25	699514	1	AGRAFE SUPPORTDIAM 10 <i>Straple diam 10</i>



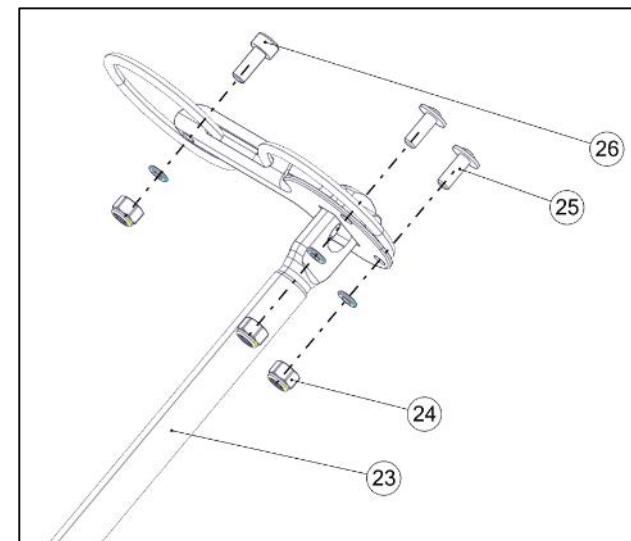
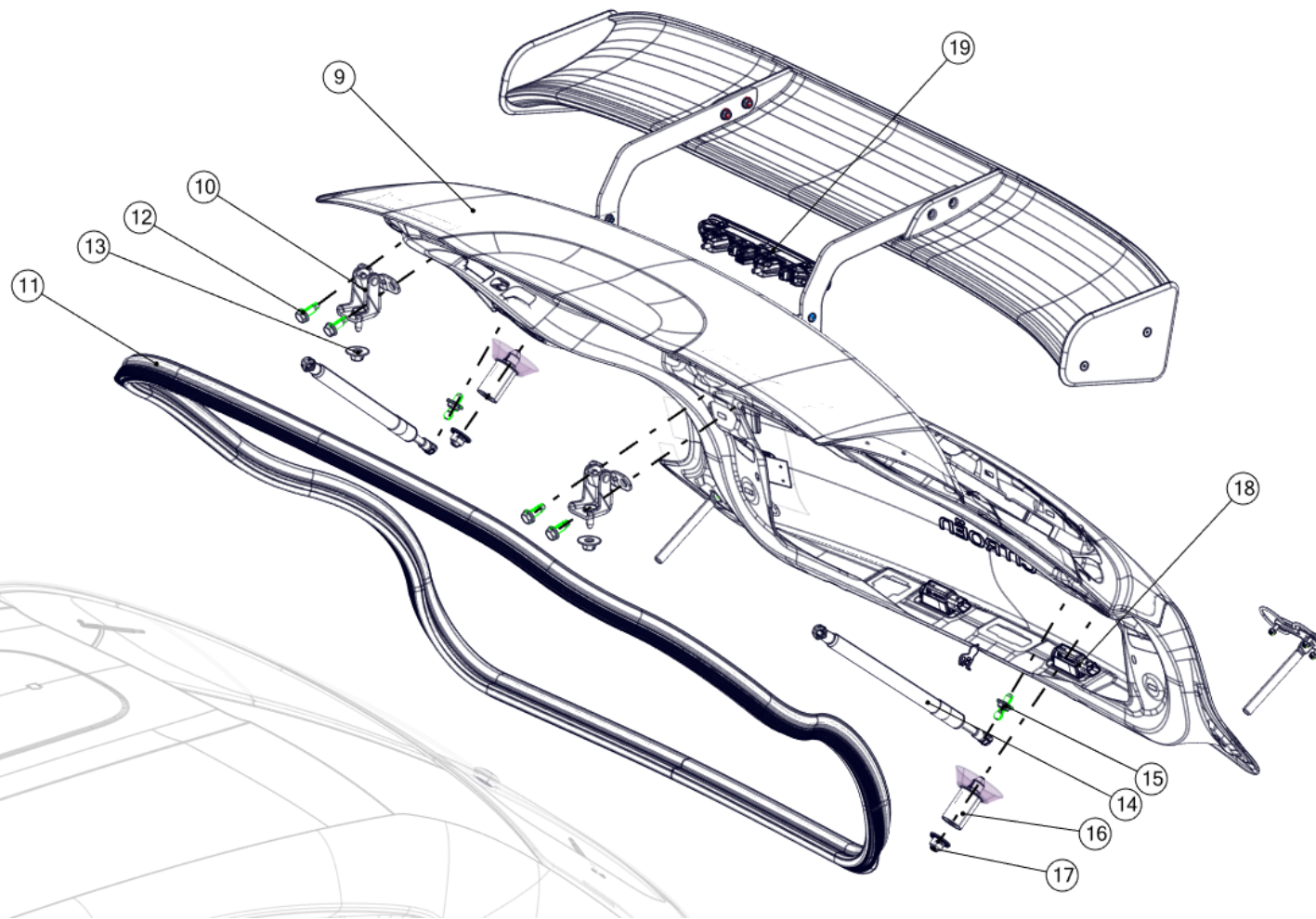
K7C HAYON *REAR TAILGATE*







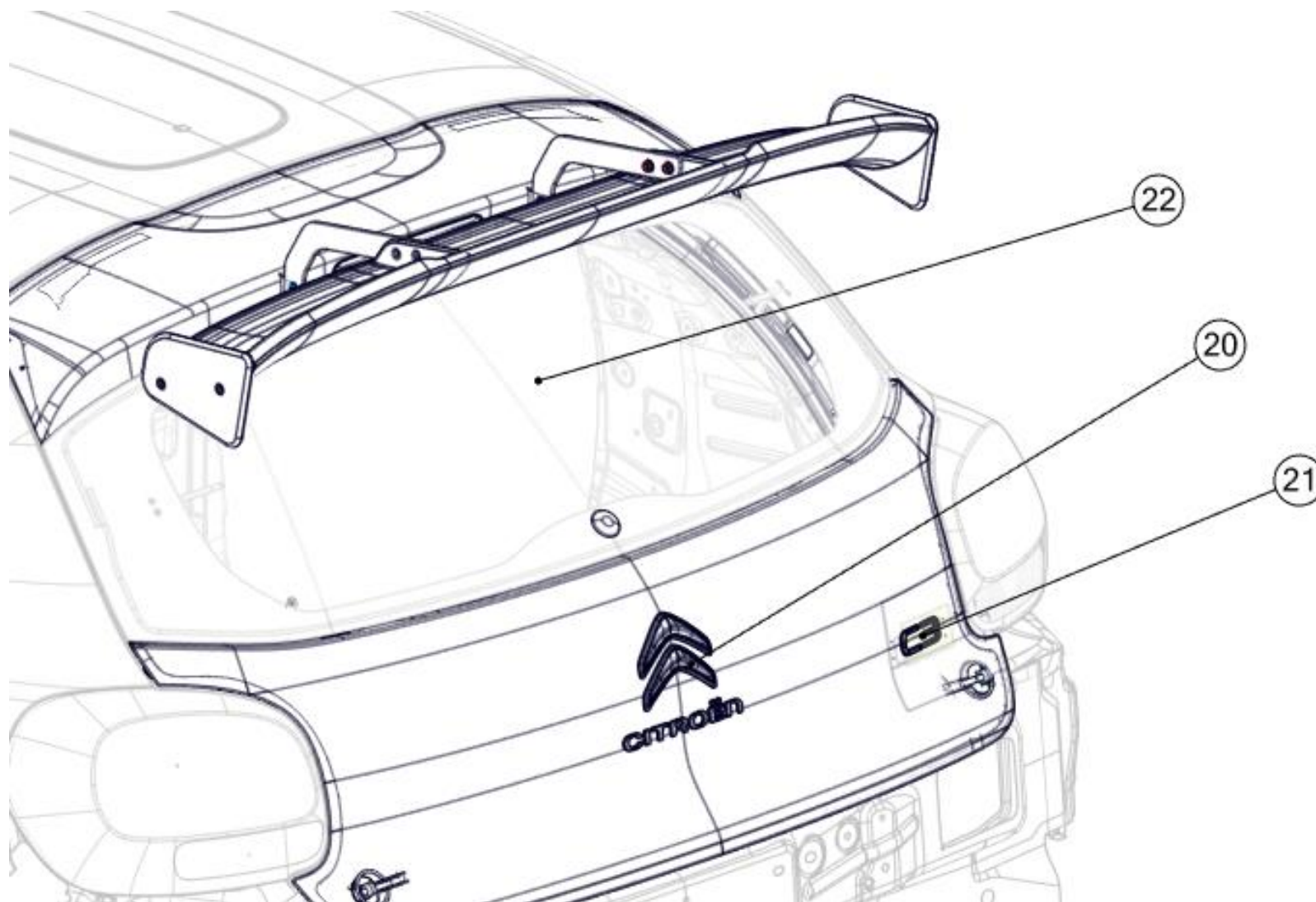
REP	REFERENCE	QTE	DESIGNATION
1	904467668B	1	Aileron AR <i>Rear wing</i>
2	904460578F	2	Mat aileron <i>Wing bracket</i>
3	CS250041ST	4	Ecrou H Nylstop M6x100 <i>Locking Nut M6x100</i>
4	PS82688A10	4	Vis FHC M6 L20 <i>Screw FHC M6 L20</i>
5	PS82635A10	4	Vis ULF M5x16 <i>Screw ULF M5x16</i>
6	PS74087A10	4	Ecrou aluM5x80 <i>Nut M5x80</i>
7	PS86046A10	4	Rondelle 5 D12 1.2 <i>Washer 5 D12 1.2</i>
8	PS85558A10	4	Vis FHC M5x15 <i>Screw FHC M5x15</i>



REP	REFERENCE	QTE	DESIGNATION
9	904464638B	1	Volet arriere découpé <i>Rear tailgate prepared</i>
10	8613F7	2	Charniere volet ar <i>Rear hinge</i>
11	9816402780	1	Joint volet AR <i>Tailgate seal</i>
12	7903301235	4	Vis H RCN 8x125-25 <i>Vis H RCN 8x125-25</i>
13	8701CM	2	Ecrou M8x38 <i>Nut M8x38</i>
14	9813177780	2	Equilibreur volet AR <i>Tailgate balancer</i>
15	8733-72	2	ROTULE <i>Ball jointl</i>
16	1623123680	2	Butée de hayon <i>Tailgate stop</i>

REP	REFERENCE	QTE	DESIGNATION
17	1623123780	2	Contre butée <i>Tailgate counter stop</i>
18	6340G3	2	Eclaireur de plaque <i>License plate light</i>
19	9812257880	1	Feu stop supp <i>3rd Stop light</i>
23	RC7919967A	2	Jeu Attaches capot <i>Bonnet pin set</i>
24	PS74086A10	6	Ecrou NYLSTOP M4 <i>Nut nylstop M4</i>
25	PS82628A10	4	Vis BHC m4 l10 <i>Screw BHC M4 L10</i>
26	PS82032A10	4	Vis CHC M4x10 <i>Screw CHC M4x10</i>
11'	904704018A*	2	Mousse étanchéité hayon light <i>Rear hatch foam seal light</i>

* Pas représenté / Not represented

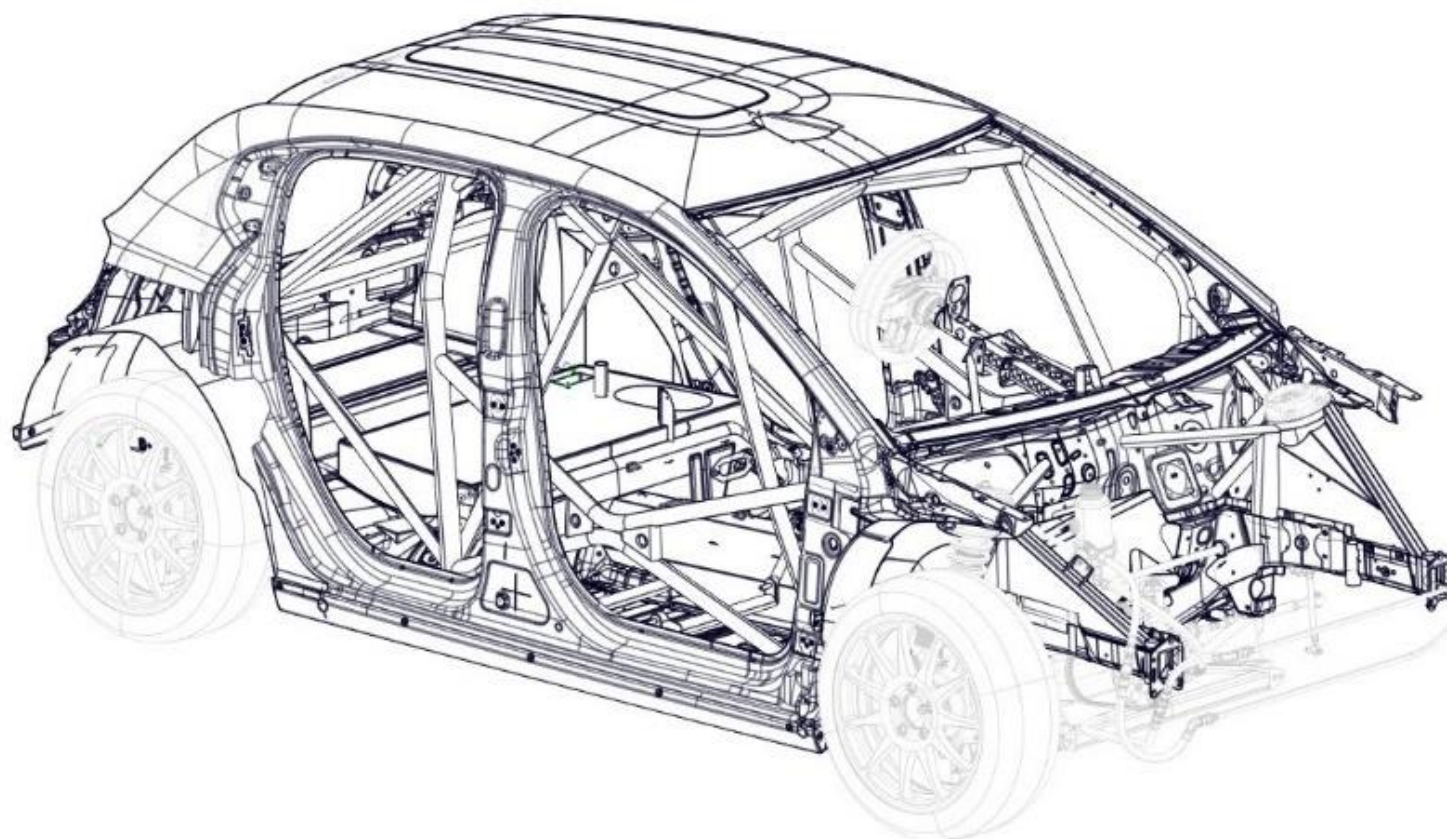


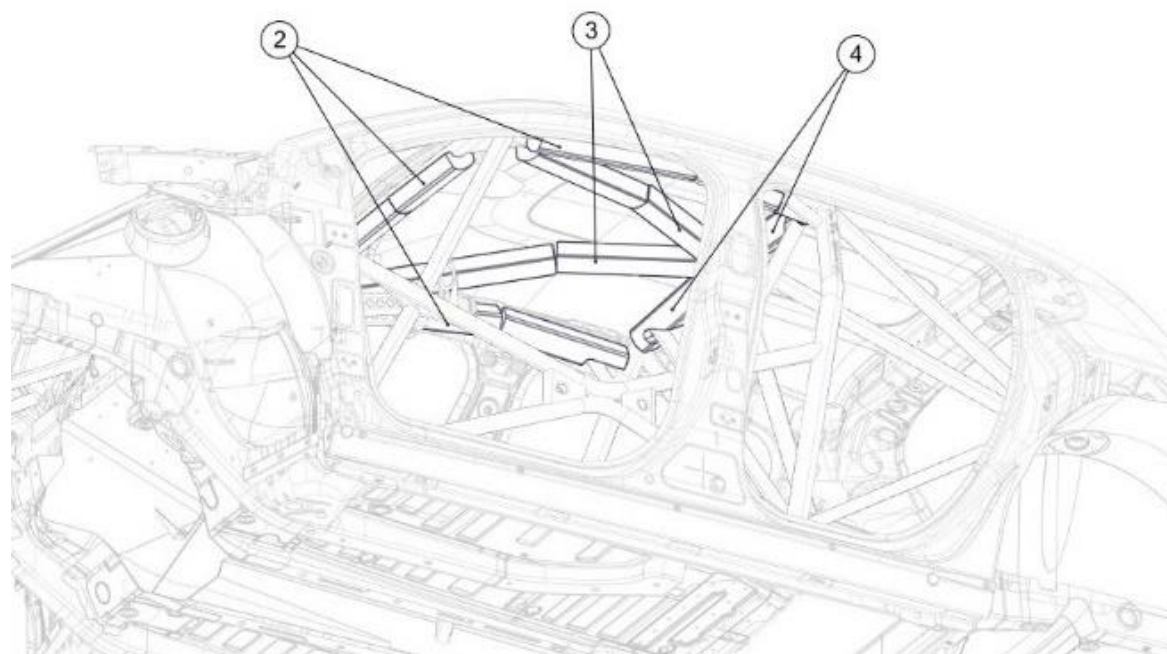
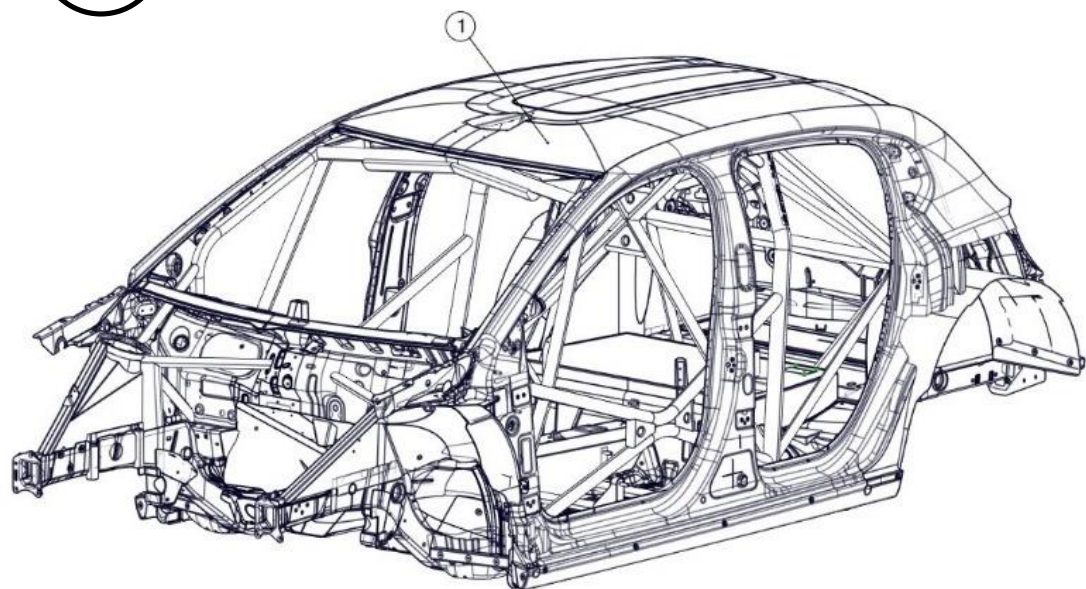
REP	REFERENCE	QTE	DESIGNATION
20	9818228080	1	Monogramme Citroen <i>Citroen monogram</i>
21	9818228780	1	Monogramme C3 <i>C3 monogram</i>
22	9812346080	1	Vitre volet AR <i>Rear window</i>



K9A CAISSE ARCEAUTEÉ *BODY SHELL*





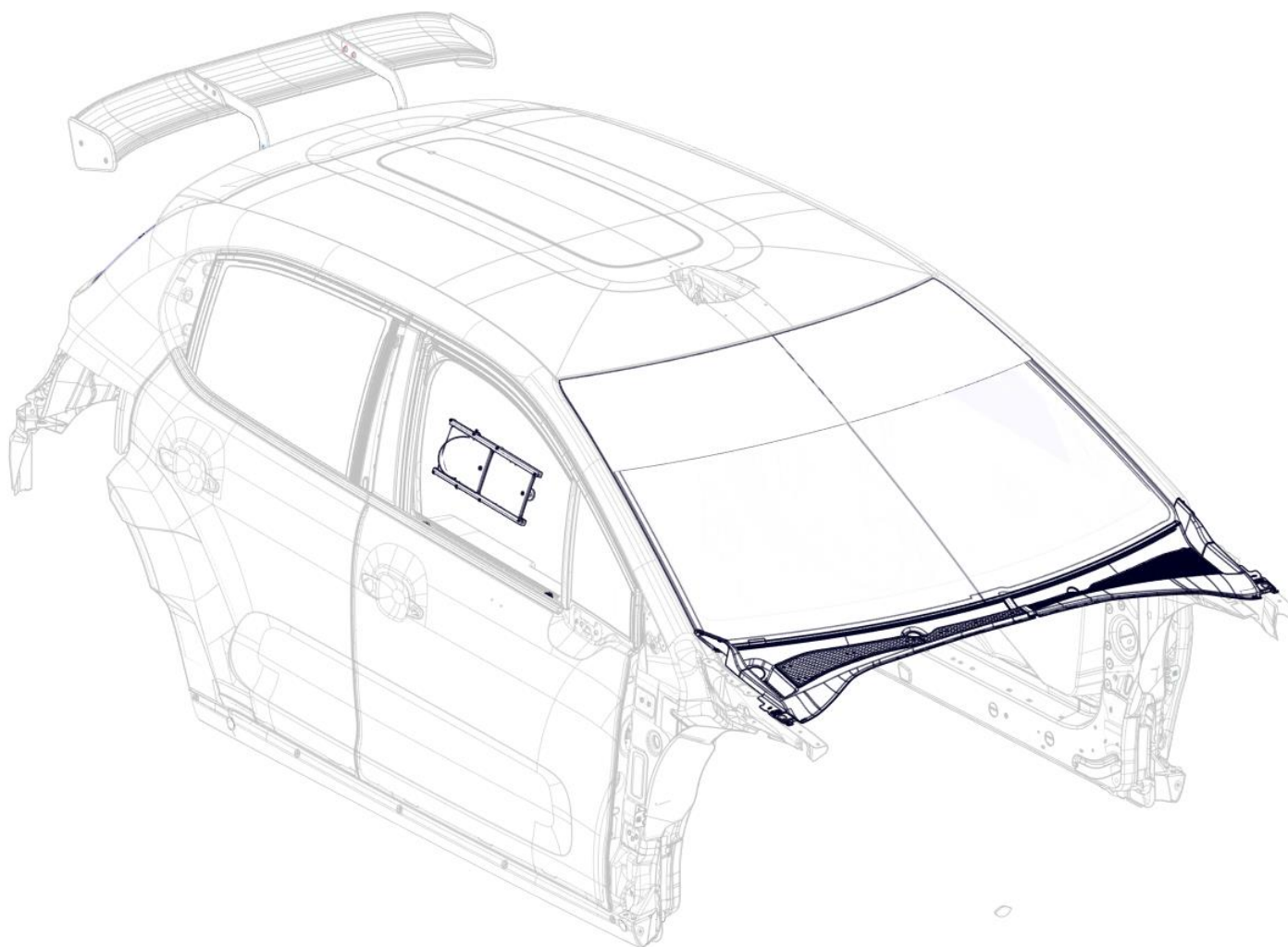


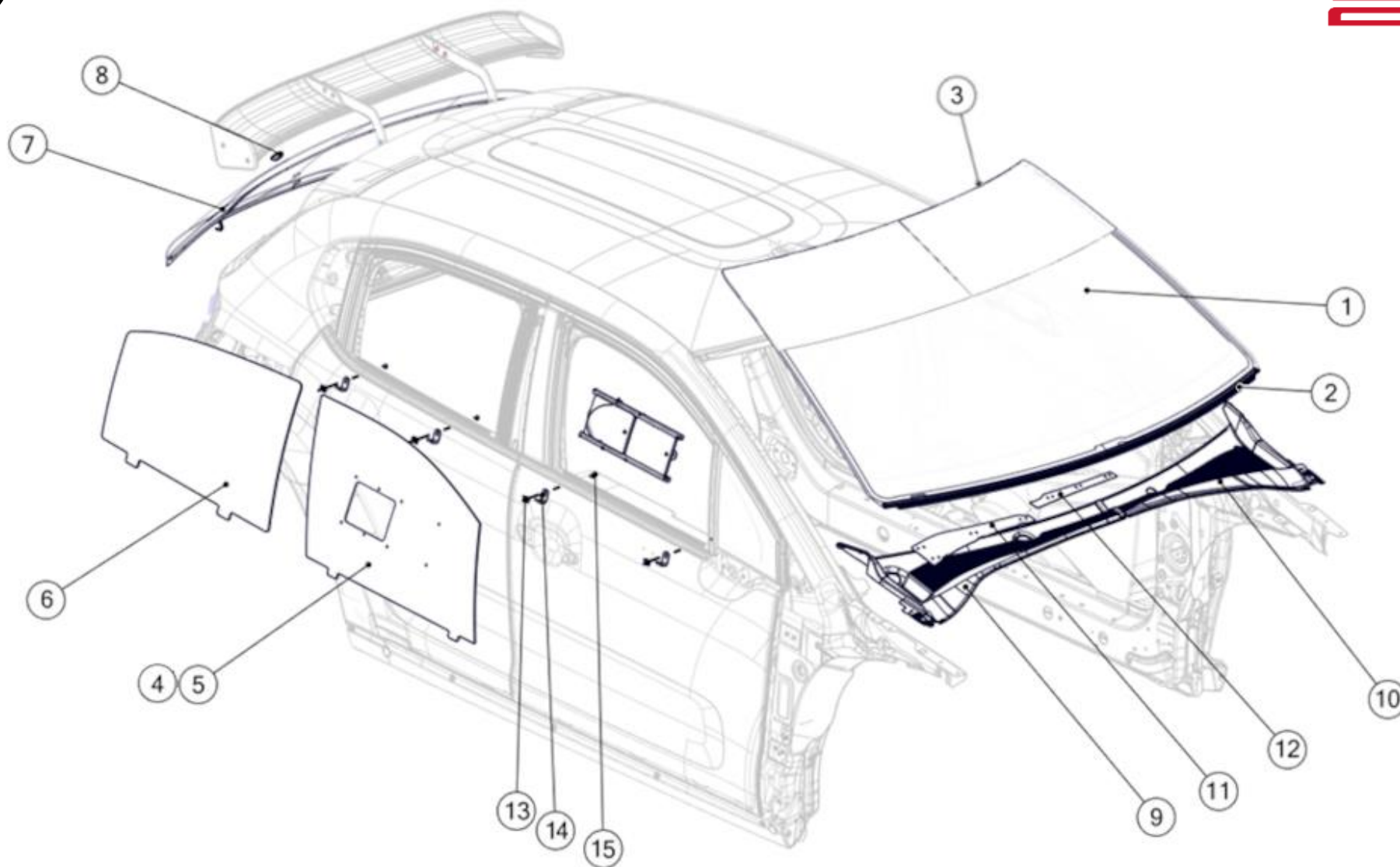
REP	REFERENCE	QTE	DESIGNATION
1	904454618M	1	Caisse arceautée <i>Body shell</i>
2-3	219001-40	5	Mousse FIA D40 <i>FIA foam D40</i>
4	219001-50	1	Kit protection arceau D50 <i>Rollcage protection D50</i>
	698778	12	Passe fil Ø6x33,5-26 <i>Grommet Ø6x33,5-26</i>
	904484598A	4	Plaque isolant thermique 1067x711x3 <i>Thermical protection 1067x711x3</i>



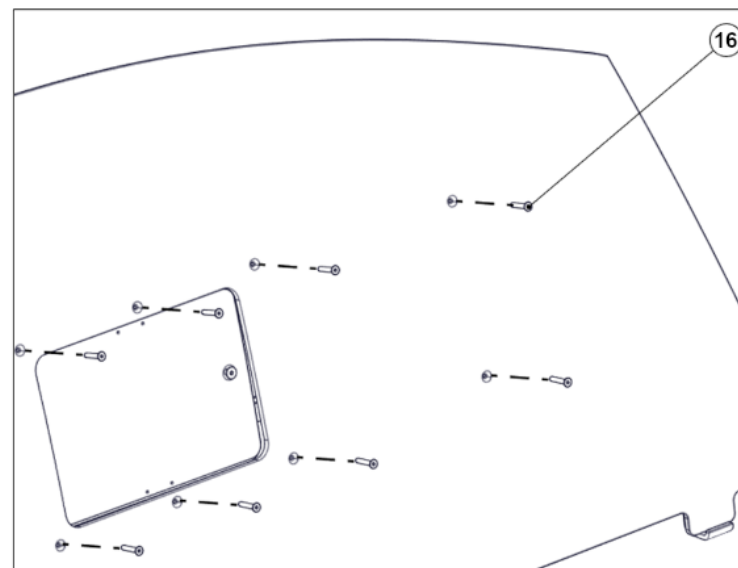
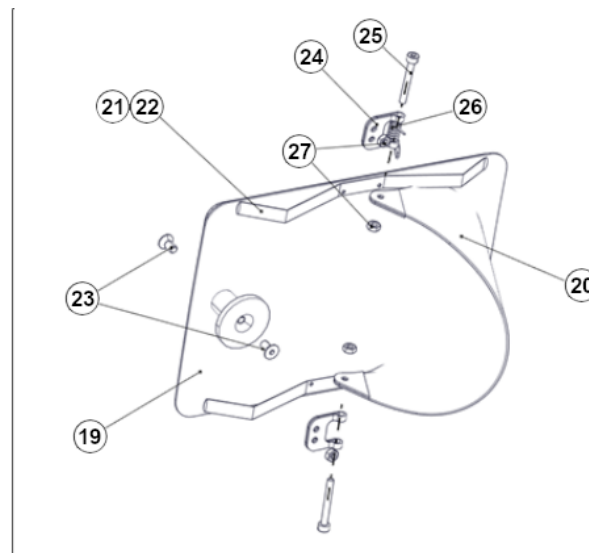
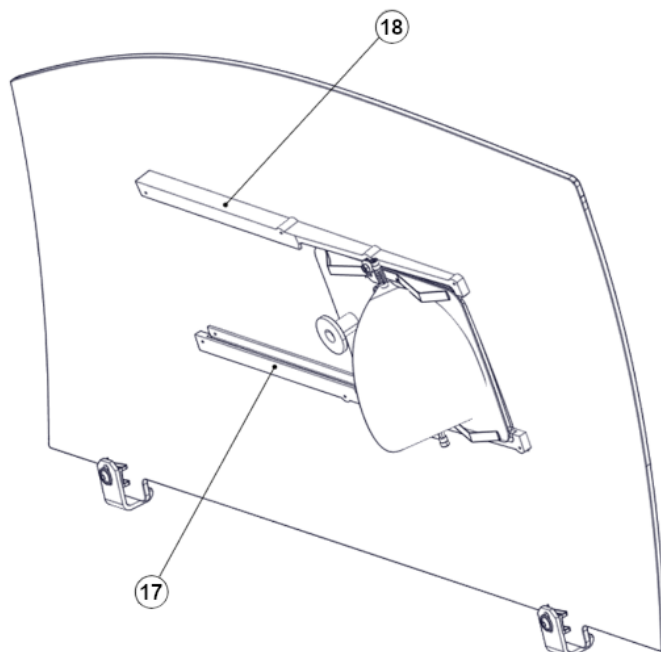
P1A VITRES GLASSES



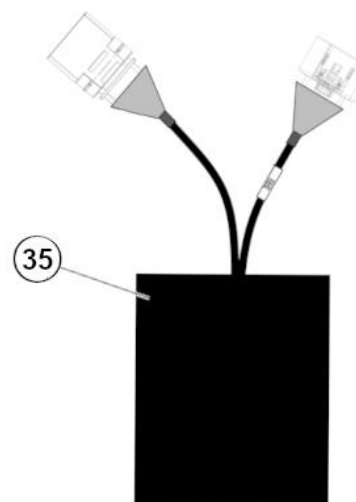
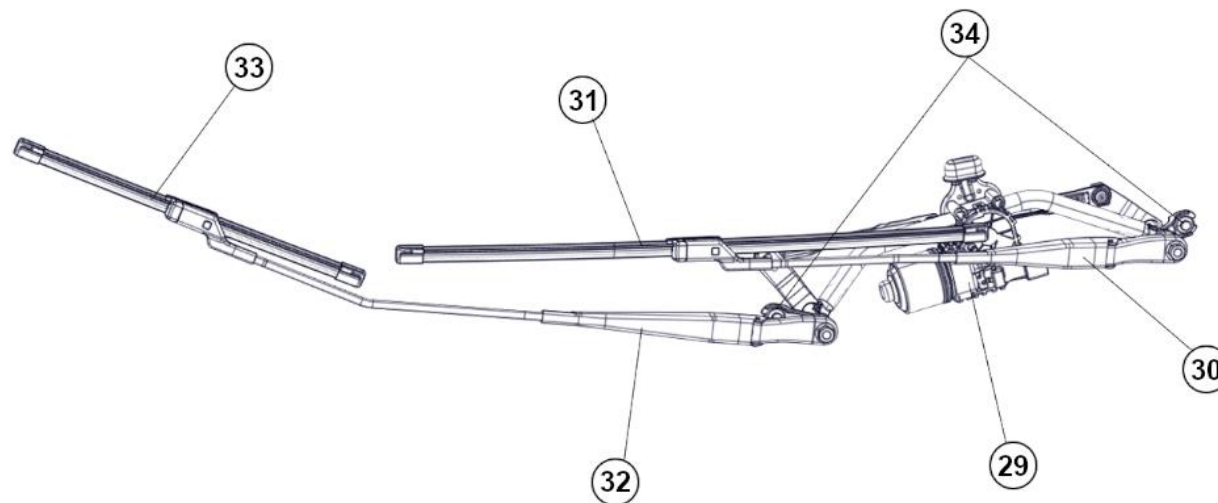




REP	REFERENCE	QTE	DESIGNATION
1	904387558D	1	Pare-brise chauffant <i>Heating Windscreen</i>
2	904553258A	1	JOINT INFÉRIEUR BAIE DE PARE BRISE <i>Lower windscreen scuttle seal</i>
3	RC8131167A	1	Joint Parebrise chauffant <i>Windscreen seal</i>
4	904484538A	1	Vitre AV découpe G <i>Front L window</i>
5	904484578A	1	Vitre AV découpe D <i>Front R window</i>
6	904470148A	2	Vitre porte AR <i>Rear Window</i>
7	9812346080	1	Vitre volet AR chauf <i>Tailgate window</i>
8	9816567480	1	Obturateur multi volet <i>plugging flap</i>
9	98119343XT	1	Grille D entrée air <i>Left windscreen scuttle</i>
10	98119344XT	1	Grille G entrée air <i>Right windscreen scuttle</i>
11	904601298B	1	Défecteur auvent latéral <i>Right windscreen scuttle deflector</i>
12	904601288A	1	Défecteur auvent central <i>Middle windscreen scuttle deflector</i>
13	694379	8	ECROU TOLE STANDAR 5x80 <i>NUT 5x80</i>
14	904395858A	8	Patte support vitre AV <i>Front window bracket</i>
15	PS85115A10	8	Vis BHC M5 L10 <i>Screw BHC M5 L10</i>



REP	REFERENCE	QTE	DESIGNATION
16	CS540018ST	16	Vis FHC M3x18 <i>Screw FHC M3x18</i>
17	904468418A	2	Glissière fen coul INF D SUP G <i>Slider Lower R Upper L</i>
18	904468408A	2	Glissière fen coul SUP D INF G <i>Slider Upper R Lower L</i>
19	904468398B	2	Fenêtre polycarbonate 4mm <i>Window 4mm</i>
20	904468458A	2	Ecope vitre <i>Scoop</i>
21	904392008A	2	Linguet D fenestron <i>Door glass spring right</i>
22	904392018A	2	Linguet G fenestron <i>Door glass spring left</i>
23	PS85556A10	4	Vis FHC M4x8 <i>Screw FHC M4x8</i>
24	904468468A	4	Charnière écope vitre <i>Scoop hinge</i>
25	PS82708A10	4	Vis CHC M3x25 <i>Screw CHC M3x25</i>
26	904468478A	2	Ressort écope vitre <i>Scoop spring</i>
27	CS230008ST	4	Ecrou H M3 <i>Nut H M3</i>
28	PS92502A10	8	Rivet TF 2.4x3.2 <i>Countersunk head rivet 2.4x3.2</i>



REP	REFERENCE	QTE	DESIGNATION
29	9815497780	1	EMBIELLAGE ES-V <i>Wiper motor assy</i>
30	1608393180	1	Porte-balai G <i>Left wiper arm</i>
31	1642333880	1	BALAI ESSUIE VITRE PLAT <i>Left wiper</i>
32	1608393380	1	Porte-balai D <i>Right wiper arm</i>
33	1618843480	1	BALAI PLAT D <i>Right Wiper</i>
34	6935C9	2	Ecrou RDL M10x10,7x17 cl8,8 <i>Flange nut M10x10,7x17 cl8.8</i>
35	904968098A	1	Boost essuie-glace cablé <i>Wired wipper boost</i>

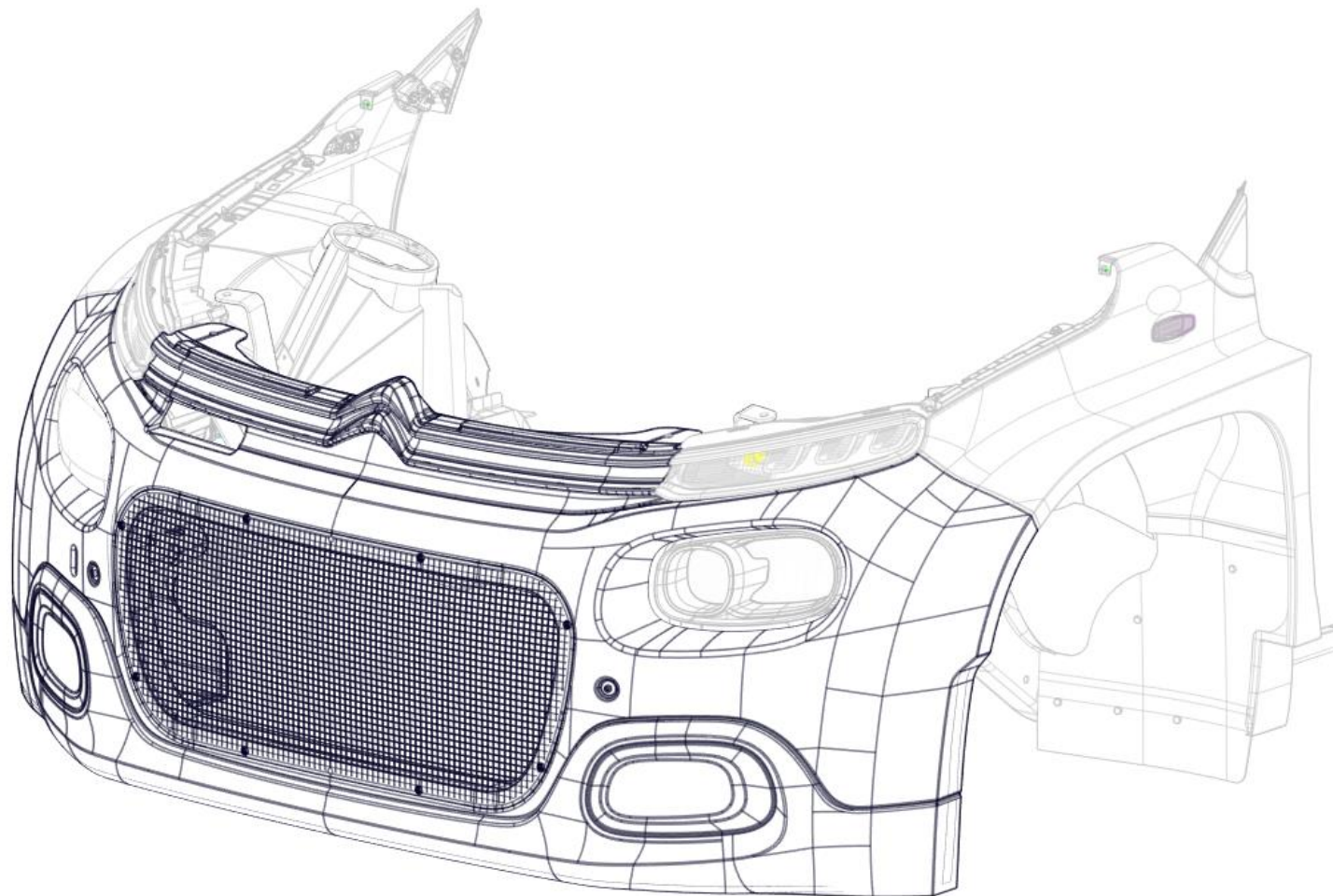


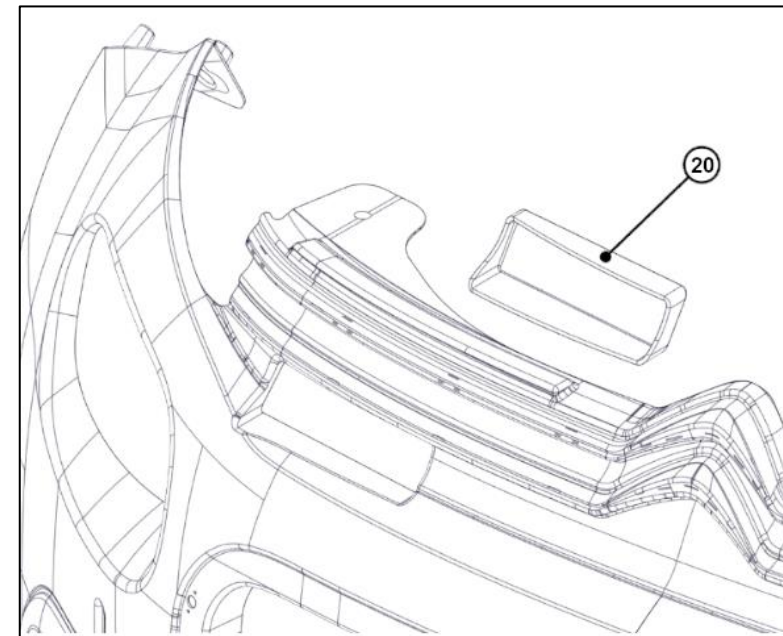
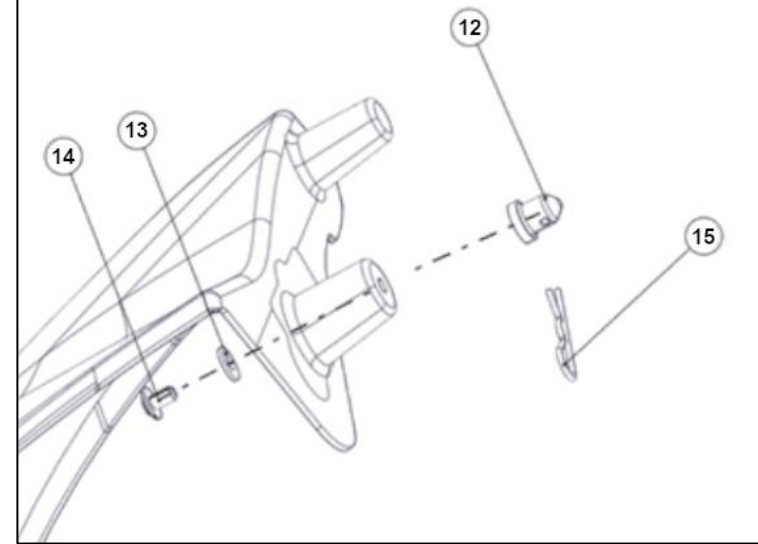
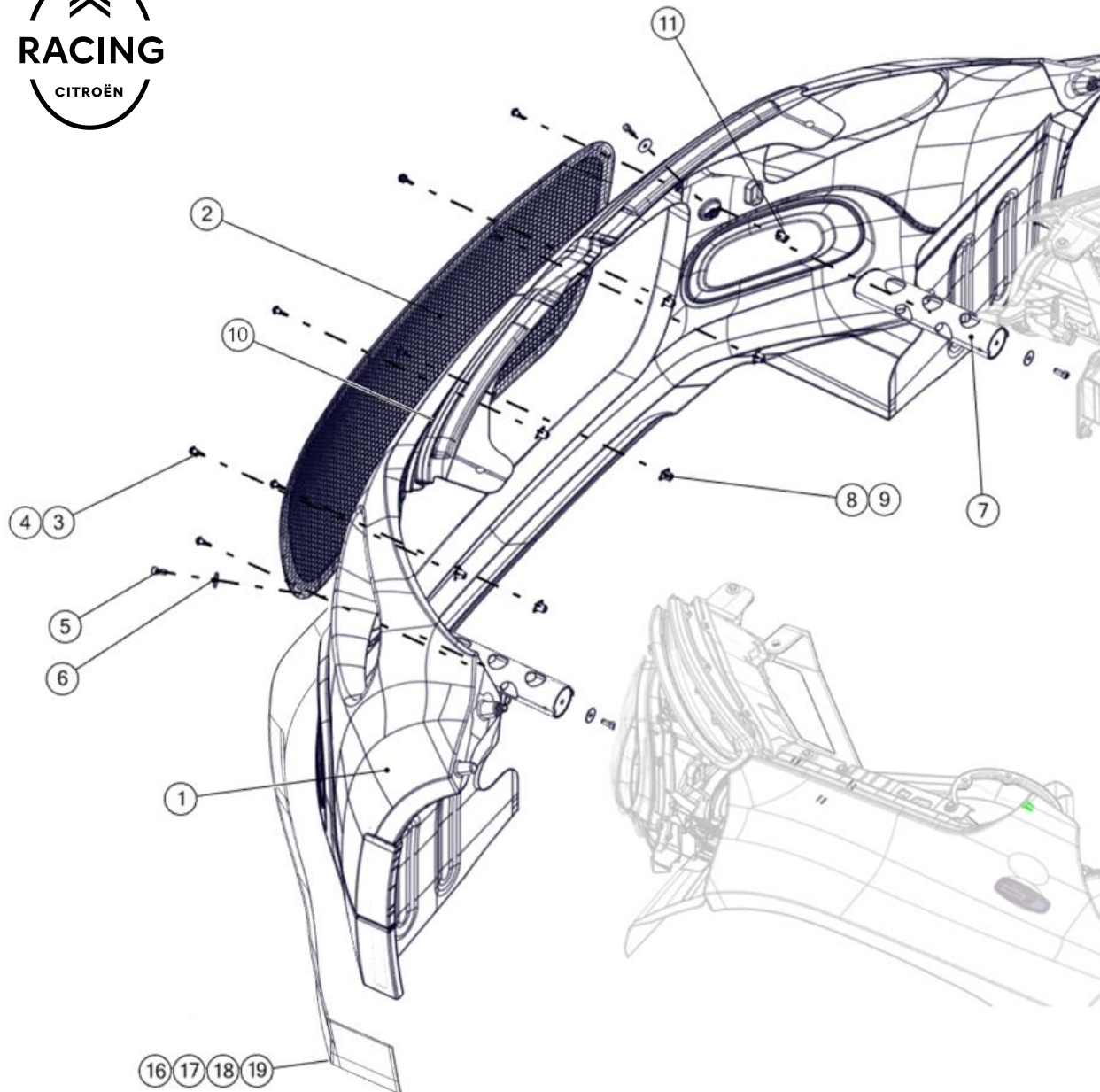
R1A

BOUCLIER AVANT

FRONT BUMPER







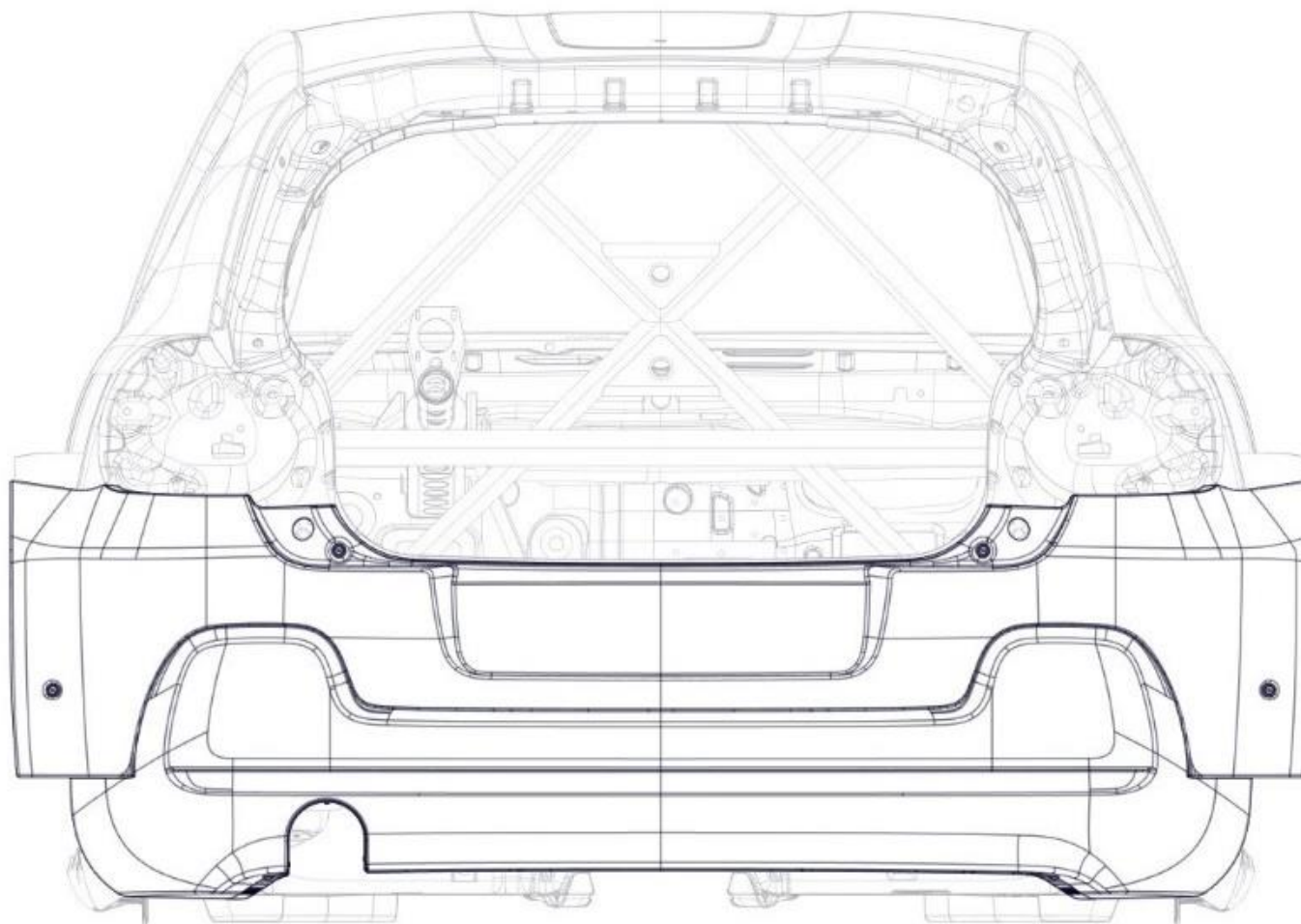
REP	REFERENCE	QTE	DESIGNATION
1	904460378I	1	Pare choc AV C3R5 <i>Front bumper C3R5</i>
2	904486278B	1	Grille PC AV C3R5 <i>Front bumper grid C3R5</i>
3	CS620011ST	8	Axe fermeture 26S39-6 <i>Camlock head fastener 26S39-6</i>
4	PS86135A10	8	Rondelle maintien acier <i>Steel holder washer</i>
5	PS82620A10	4	Vis CHC M6 L15 <i>Screw CHC M6 L15</i>
6	PS86050A10	4	Rondelle 6x22x1.5 <i>Washer 6x22x1.5</i>
7	904476488A	2	Support bouclier AV <i>Front bumper support</i>
8	PS08500A10	8	Recep camloc V212-12 <i>Camlock receptacle V212-12</i>
9	PS92565A10	16	Rivet TF Alu 3.2x6 <i>Rivet TF 3.2x6</i>
10	9815113980	1	Embleme Citroen PC AV <i>Front bumper citroen emblem</i>
11	PS74673A10	2	Ecrou prisonnier M6 <i>prisonner nut M6</i>
12	904602338A	2	Pion indexage <i>Positionning pin</i>
13	PS86046A10	2	Rondelle 5x12x1.2 <i>Washer 5x12x1.2</i>
14	PS82632A10	2	Vis BHC M5x8 <i>Screw BHC M5x8</i>
15	PS78051A10	2	Goupille beta <i>Beta pin</i>

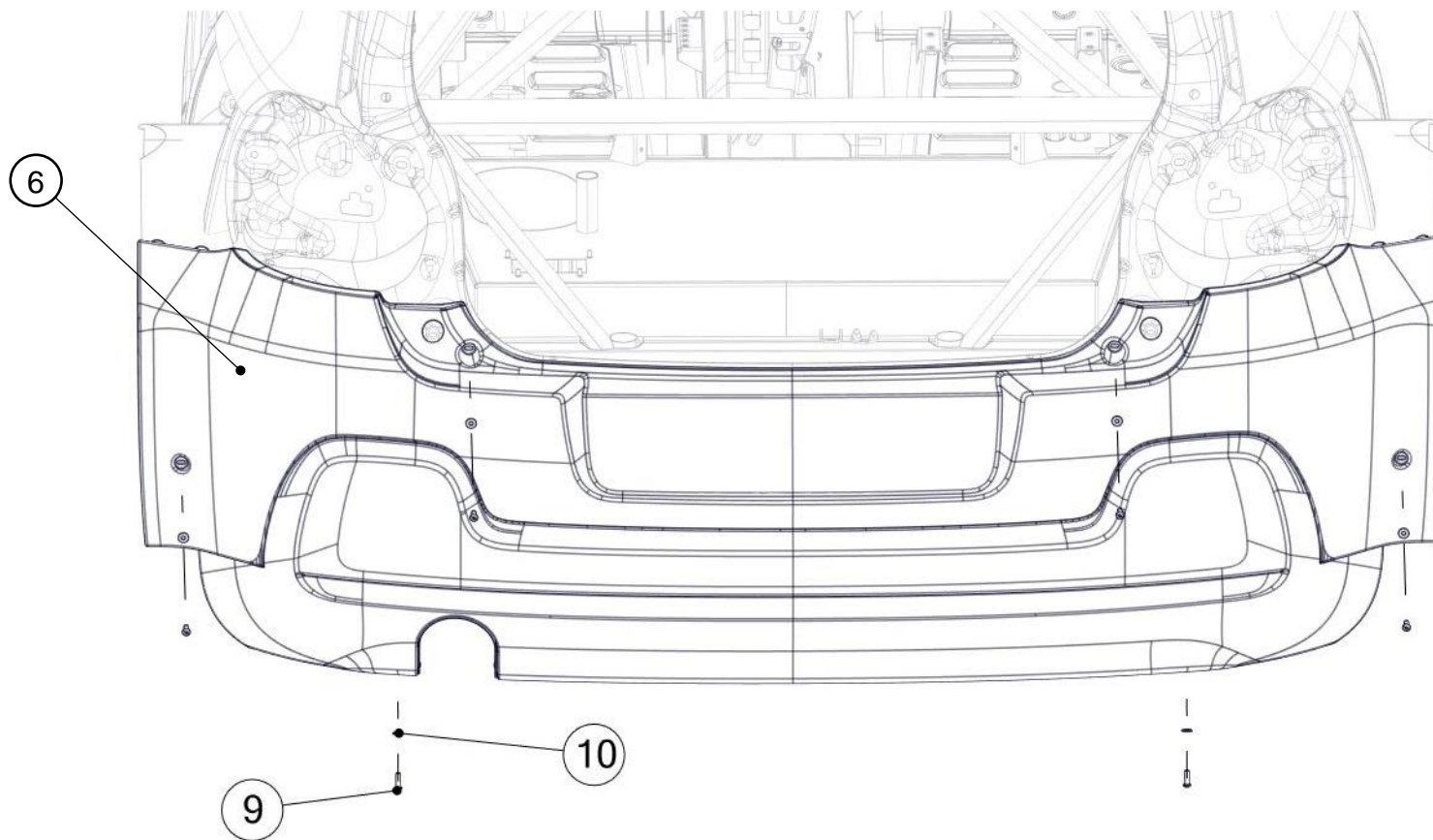
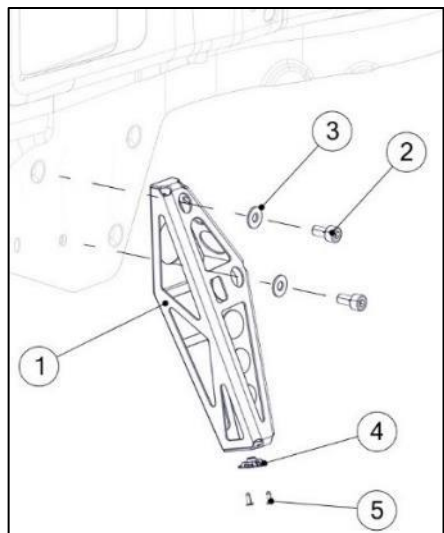
REP	REFERENCE	QTE	DESIGNATION
16	904695368B	1	Jupe AV <i>Front Lip</i>
17	PS82635A10	21	Vis ULF M5x16 cl10.9 <i>Screw M5x16</i>
18	6936-67	21	Ecrou à embase STD M5x5x8 <i>Nut M5x5x8</i>
19	6949-29	21	Rondelle plate Ø5x16-1,5 <i>Washer Ø5x16-1,5</i>
20	904961258A	1	Bouchon entrée air 2024 <i>Engine air inlet cap 2024</i>



R1B
BOUCLIER ARRIERE
REAR BUMPER







REP	REFERENCE	QTE	DESIGNATION
1	904600908A	1	SUPPORT FIX PC ARG <i>Rear left bumper bracket</i>
	904600918A	1	SUPPORT FIX PC ARD <i>Rear right bumper bracket</i>
2	PS82130A10	4	Vis CHC M8x16 cl.12.9 <i>Screw CHC M8x16 cl.12.9</i>
3	CS440031ST	4	Rondelle plate Ø8x18-1,5 <i>Flat washer Ø8x18-1,5</i>
4	PS74673A10	2	Ecrou prison D6 Simmonds flot. <i>Nut cage D6 Simmonds</i>
5	PS92606A10	4	RIVET AVEUGLE F 3 L8 ACIER <i>Rivet F 3 L8 Steel</i>
6	904457928G	1	BOUCLIER AR C3R5 <i>Rear bumper C3R5</i>
9	PS87207A10	6	Vis ULS M6x2
10	694904	6	RONDELLE PLATE STANDAR 6X14-1,5 <i>Flat Washer 6-14-1.5</i>

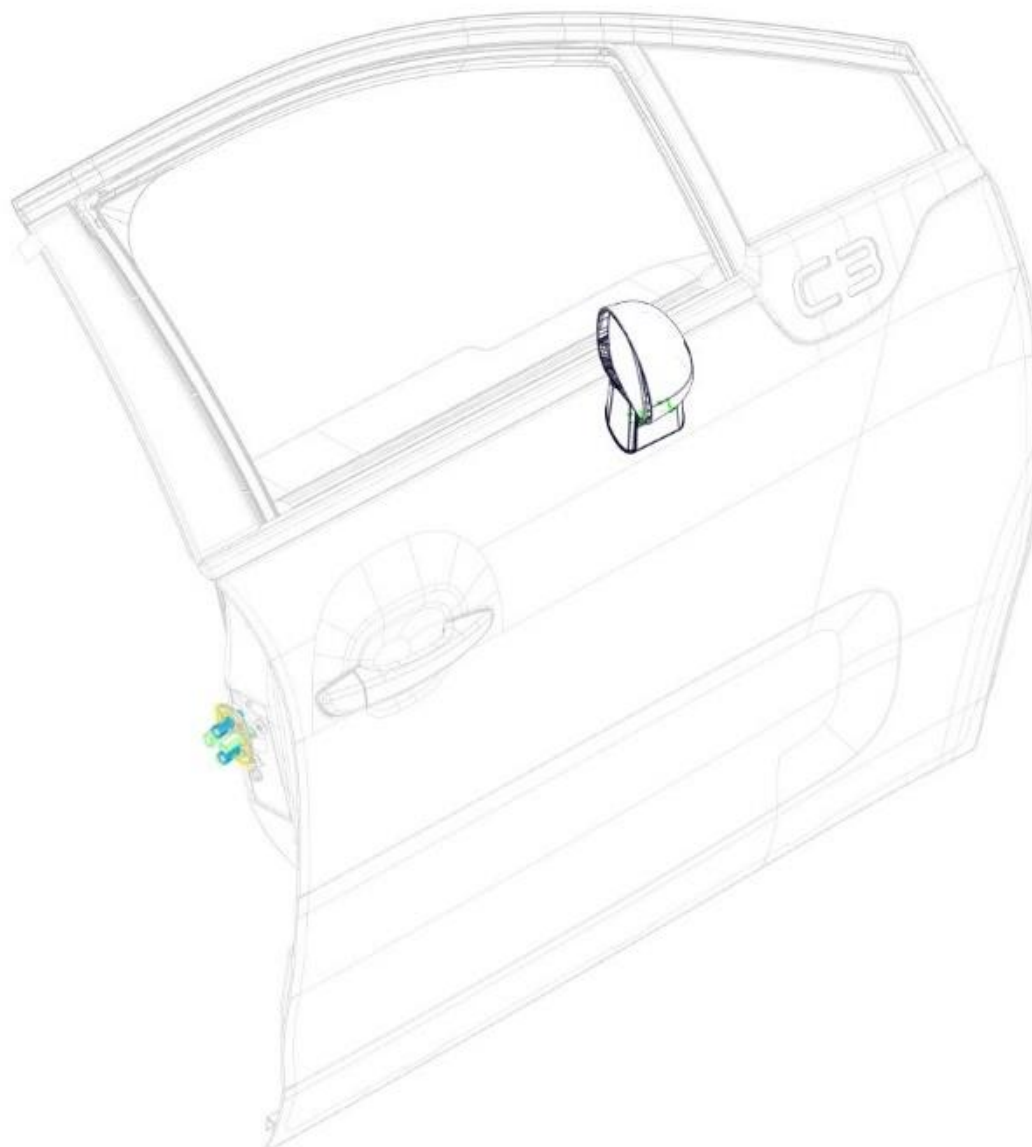


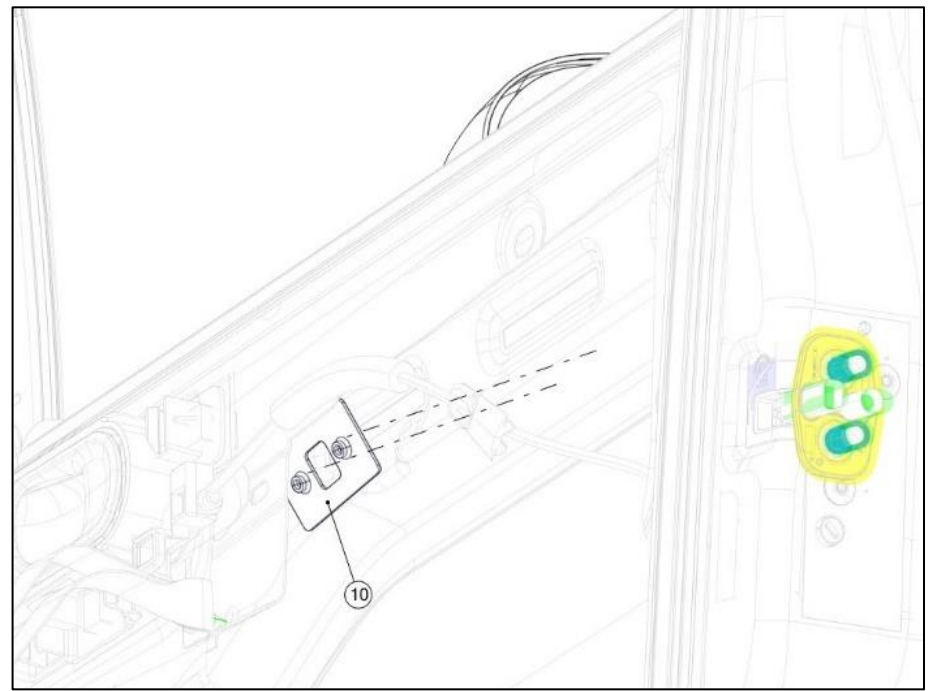
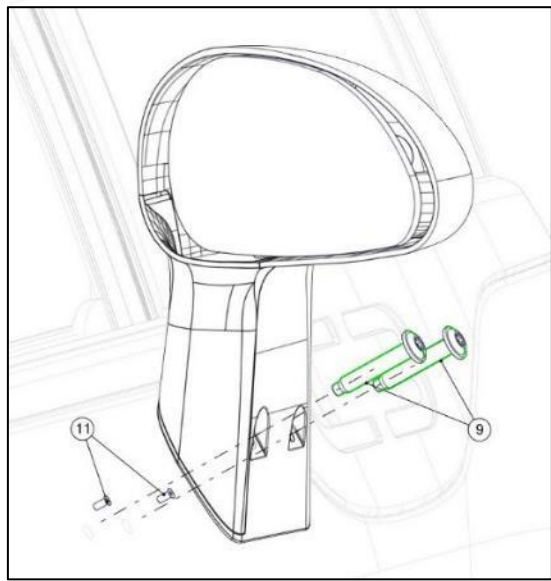
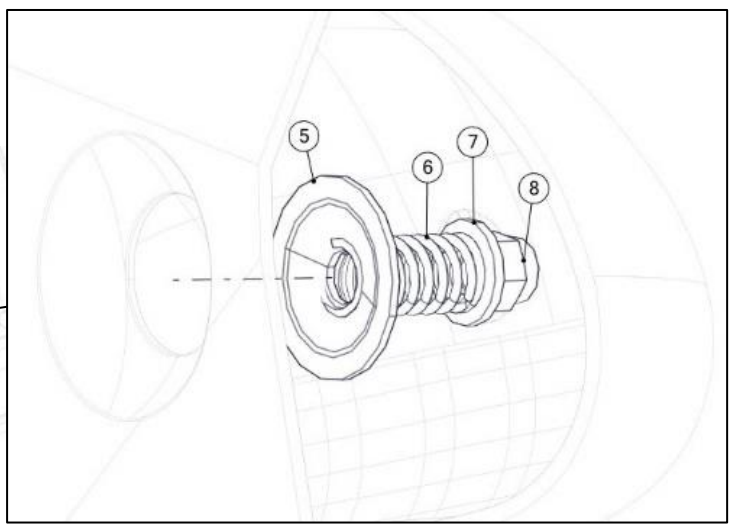
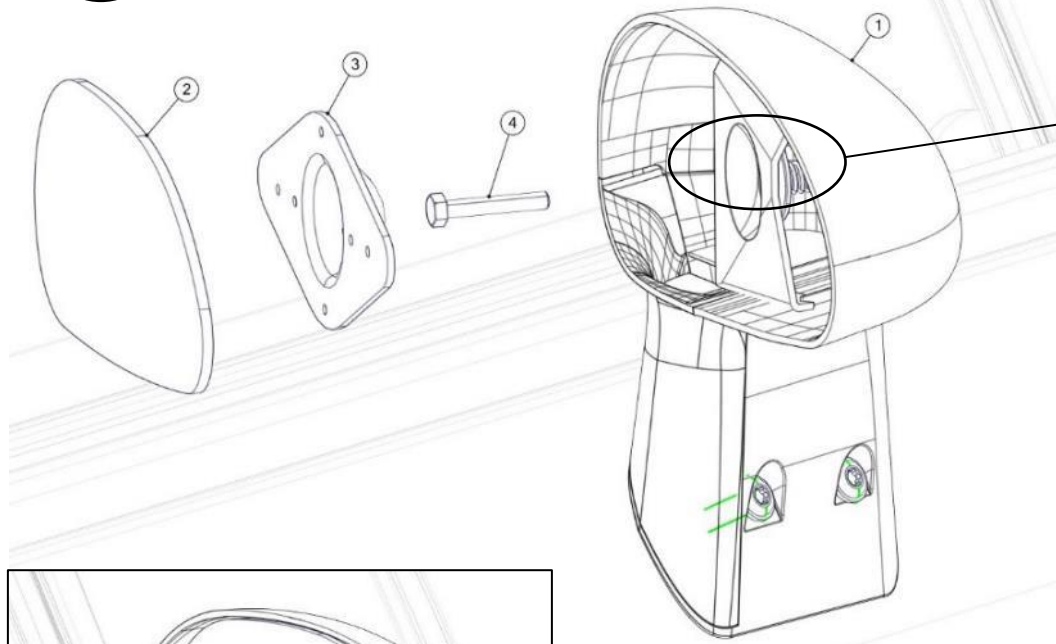
R5A

RETROVISEURS EXTERIEURS

SIDE MIRRORS







REP	REFERENCE	QTE	DESIGNATION
1	3R5A64425B	1	Rétroviseur extérieur D <i>Right side mirror</i>
1'	3R5A64424B	1	Rétroviseur extérieur G <i>Left side mirror</i>
2	3R5A64519A	1	Miroir Rétroviseur Ext D <i>Right mirror glass</i>
2'	3R5A64518A	1	Miroir Rétroviseur Ext G <i>Left mirror glass</i>
3	3R5A64517A	2	Support Miroir <i>Glass Mount</i>
4	CS550046ST	2	Vis M5X080 L30 CL 12.9 <i>M5X080 L30 CL 12.9 Screw</i>
5	3R5A64525B	2	Rondelle Sphérique Rétroviseur Extérieure <i>Side mirror spherical washer</i>
6	CS420065ST	2	Ressort compression d1.3 D8.6 14N/mm <i>Compression Spring d1.3 D8.6 14N/mm</i>
7	PS86045A10	2	Rondelle Plate M5 D12 E1.25 <i>M5 D12 E1.25 Washer</i>
8	693673	2	Ecrou Frein M5 <i>Locking Nut M5</i>
9	9644862280	4	Vis Embase M6x100-35 <i>M6X100 L35 Screw</i>
10	3R5A64569A	2	Plaquette Renfort Fixation Rétroviseur Ext <i>Side Mirror Mounting Plate</i>
11	PS92502A10	4	Rivet TF Ø2.4x6.5 <i>Rivet TF Ø2.4x6.5</i>

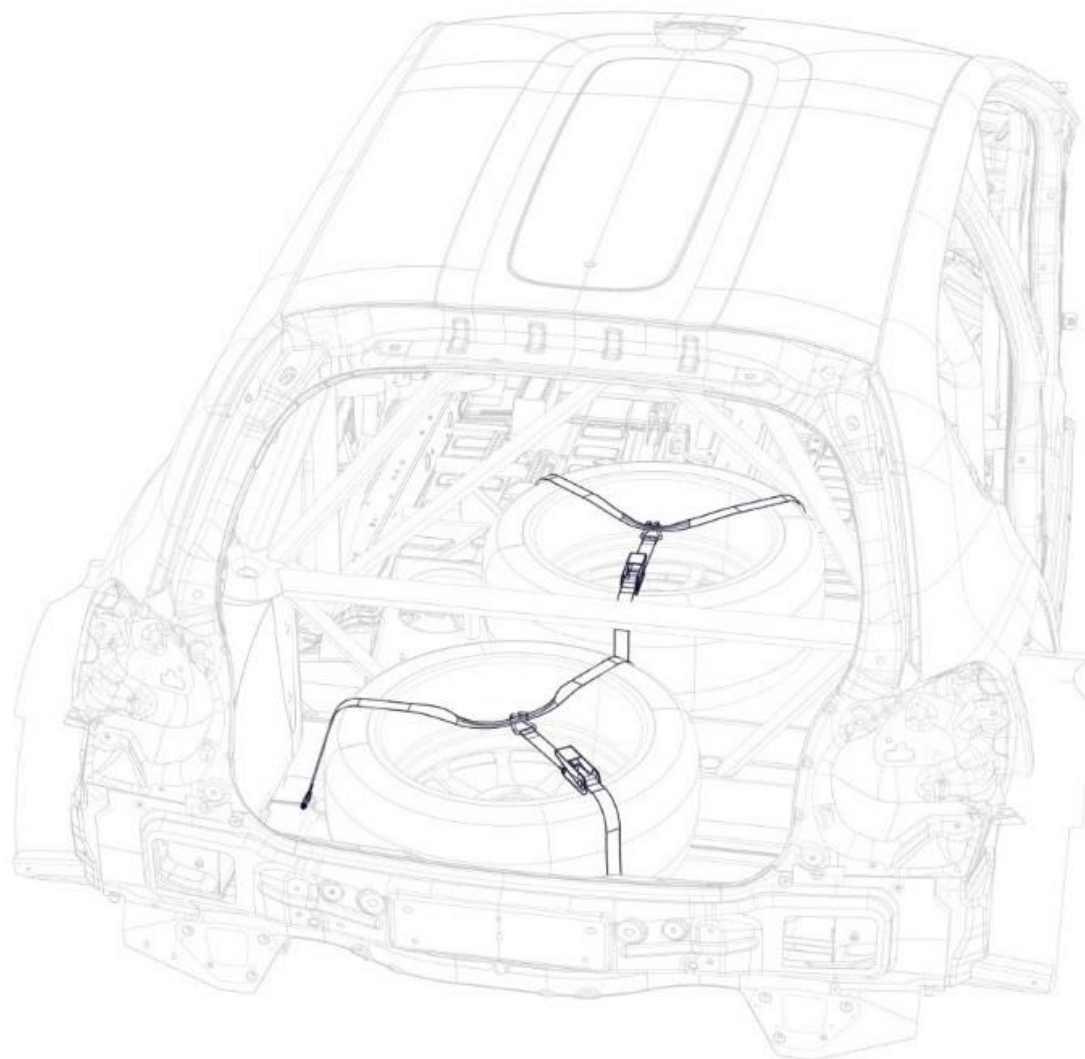


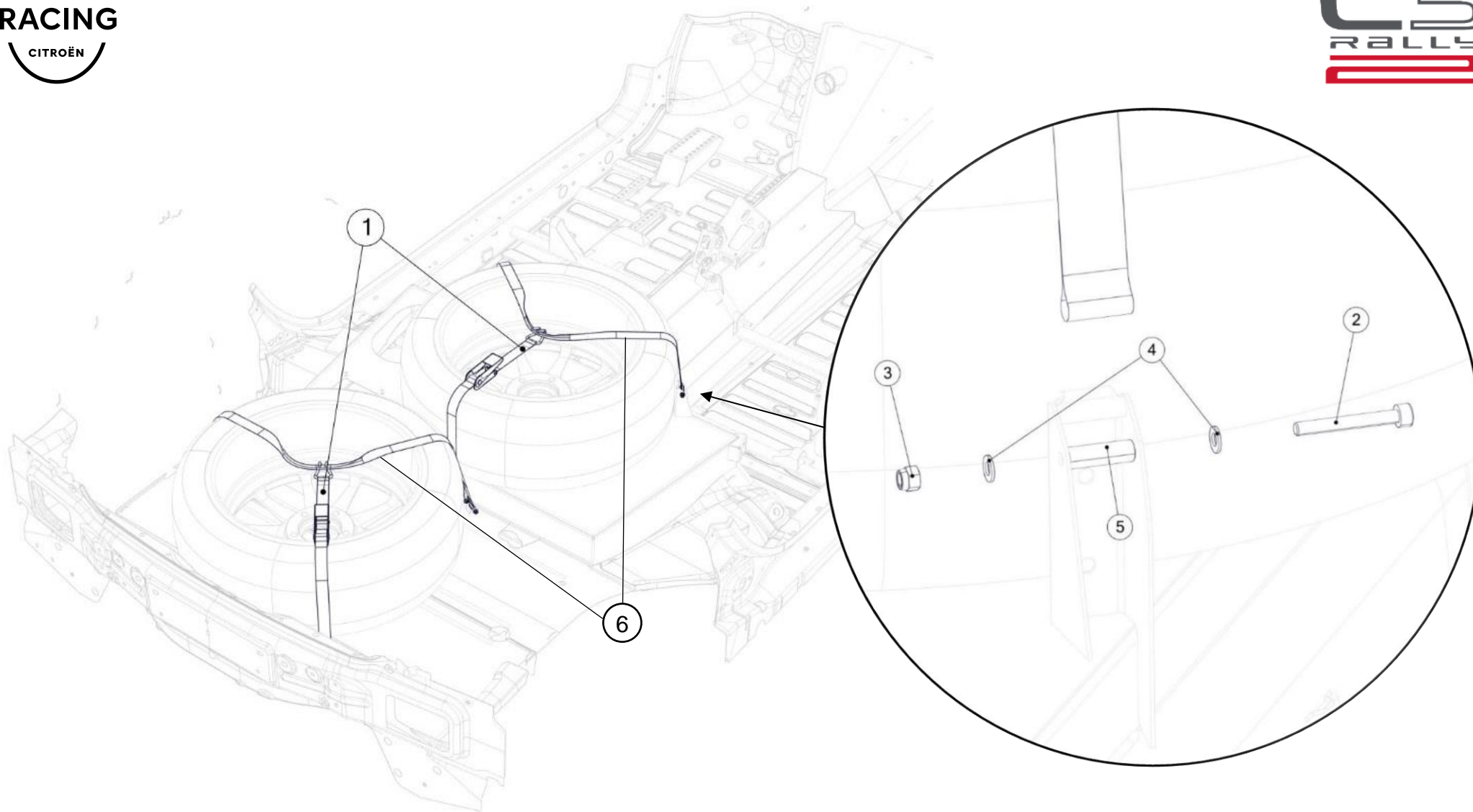
R5E

SANGLE ROUE DE SECOURS

SPARE WHEEL STRAP





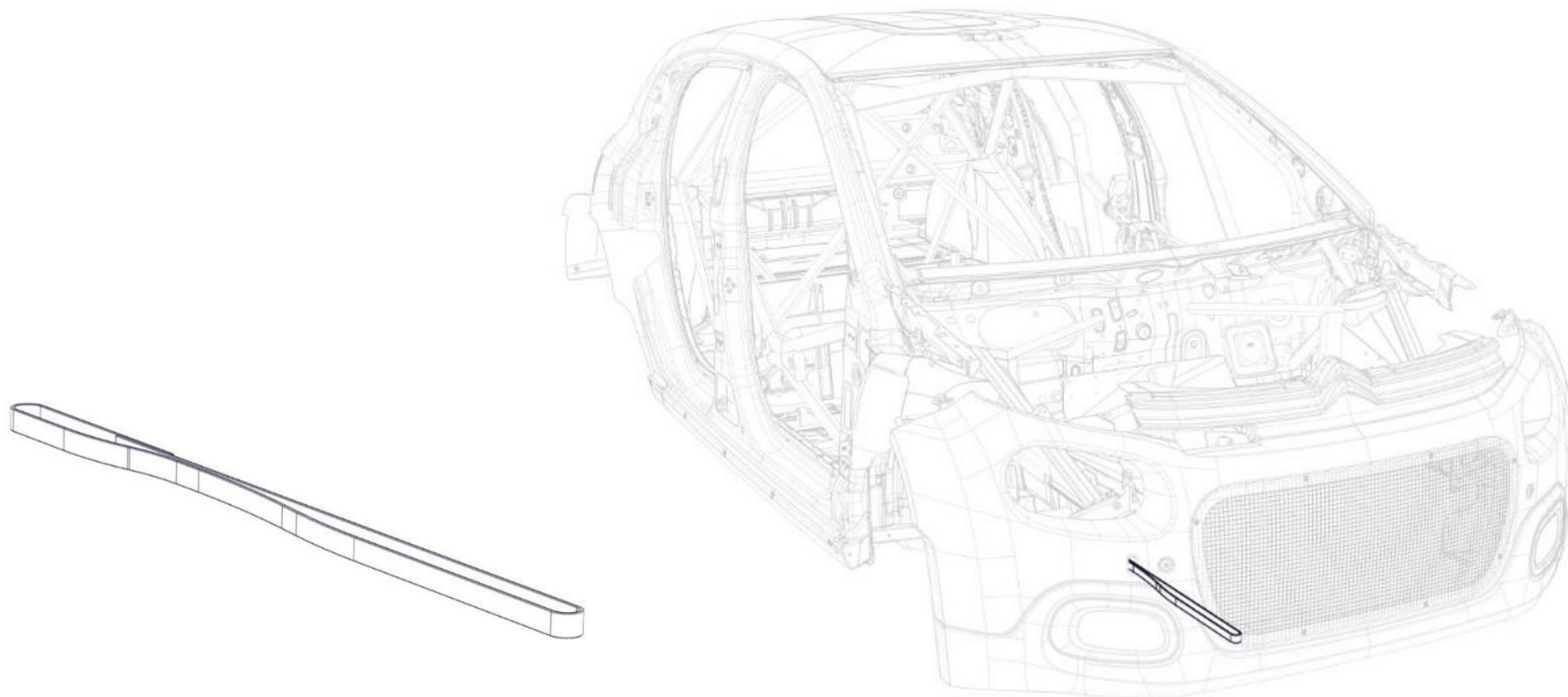


REP	REFERENCE	QTE	DESIGNATION
1	903539218A	2	SANGLE ROUE DE SECOURS <i>Spare wheel strap</i>
2	PS82006A10	6	VIS CHC M5x40 <i>Scre CHC M5x40</i>
3	693673	6	ECROU FREIN M5x5.4x8 <i>Locking nut M5x5.4x8</i>
4	6947-81	12	RONDELLE D5x10x1.8 <i>Washer D5x10x1.8</i>
5	904620608A	6	TUBE FEP D8x6 L25mm <i>FEP pipe D8x6 L25mm</i>
6	RC7631063A	2	Sangle fixation roue secours 2m <i>Spare wheel strap 2m</i>
	RC7617719A	4	Boucle de passage sangle <i>Strap adjuster</i>

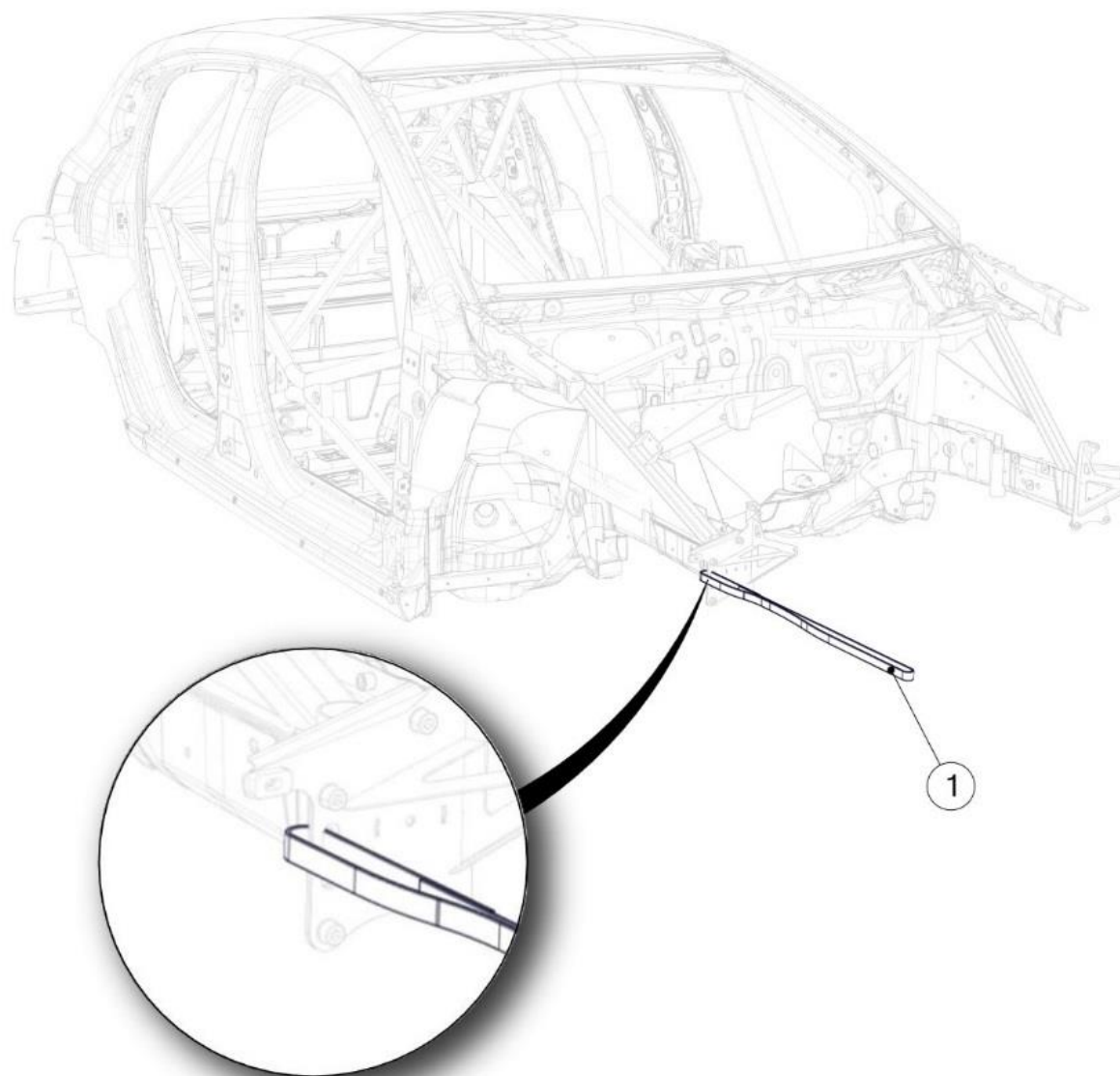


R5F
SANGLE DE REMORQUAGE
TOWING STRAP





R5F – Sangle remorquage – Towing strap



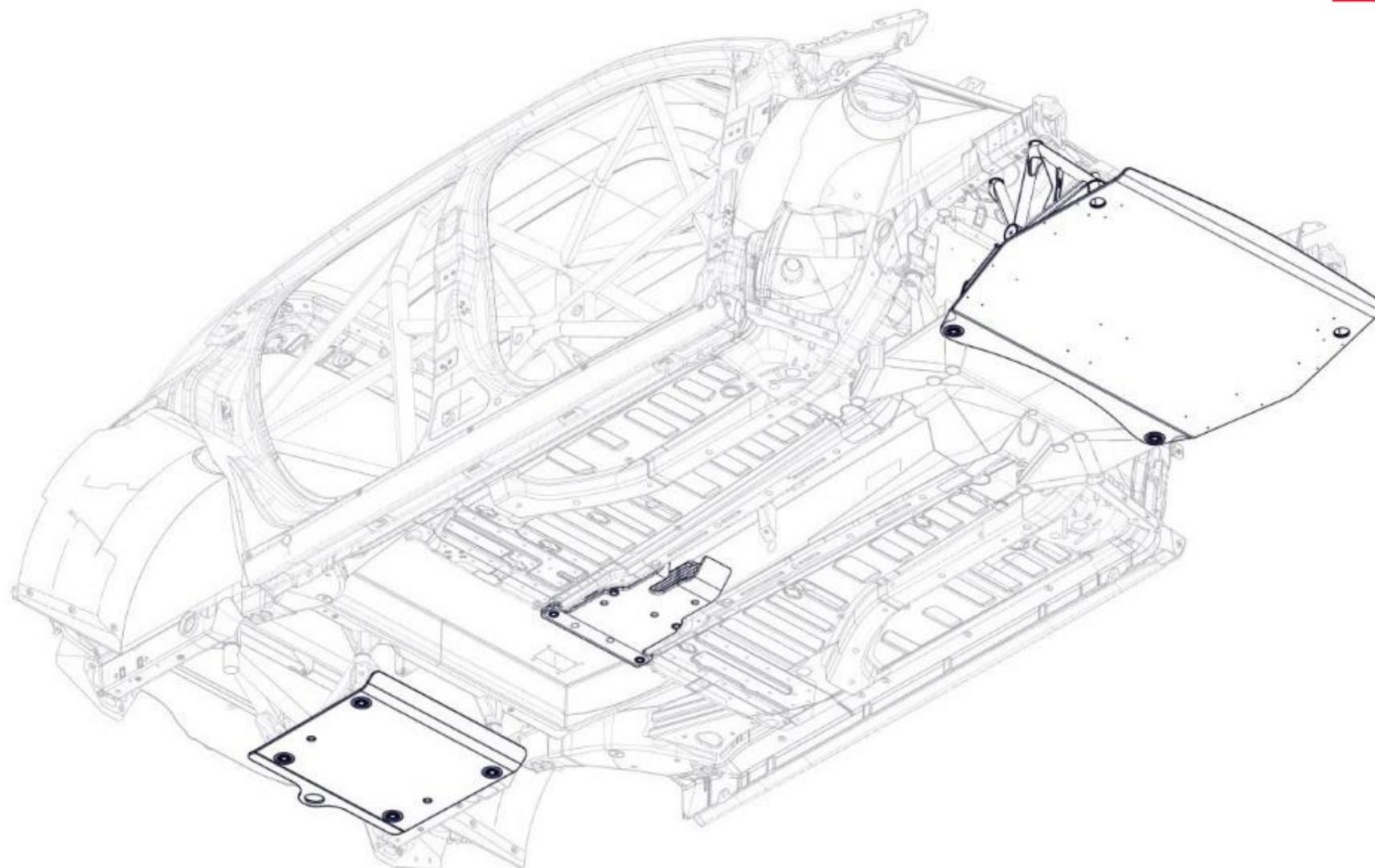


REP	REFERENCE	QTE	DESIGNATION
1	3R1A21762A	1	SANGLE DE REMORQUAGE TOWING STRAPS

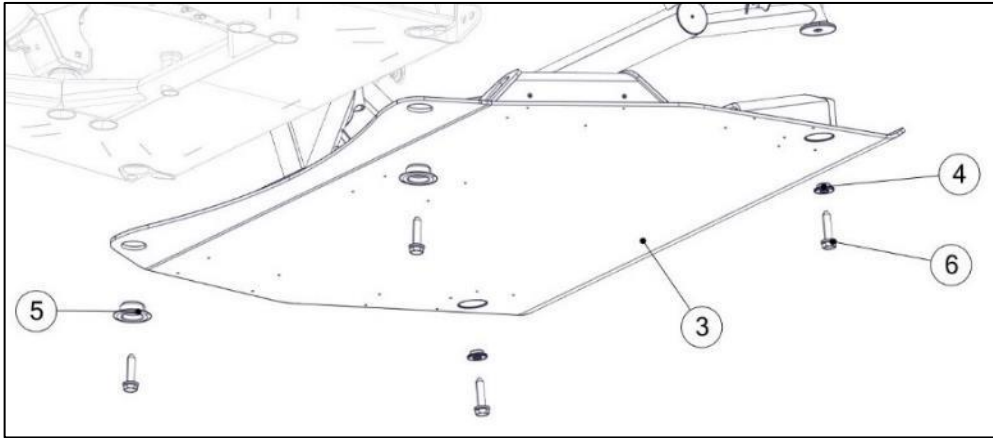


R6A SKIS / TRAVERSE AVANT *GUARDS*

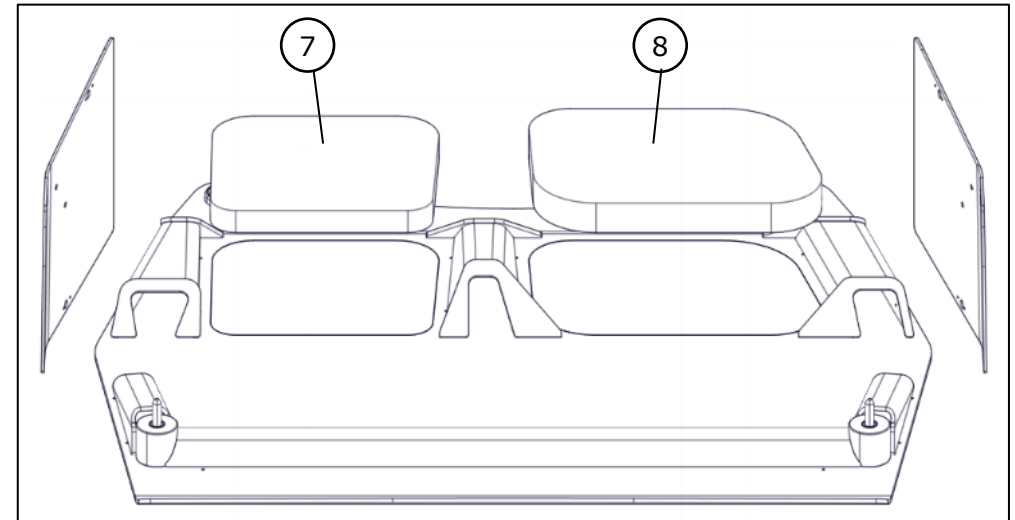
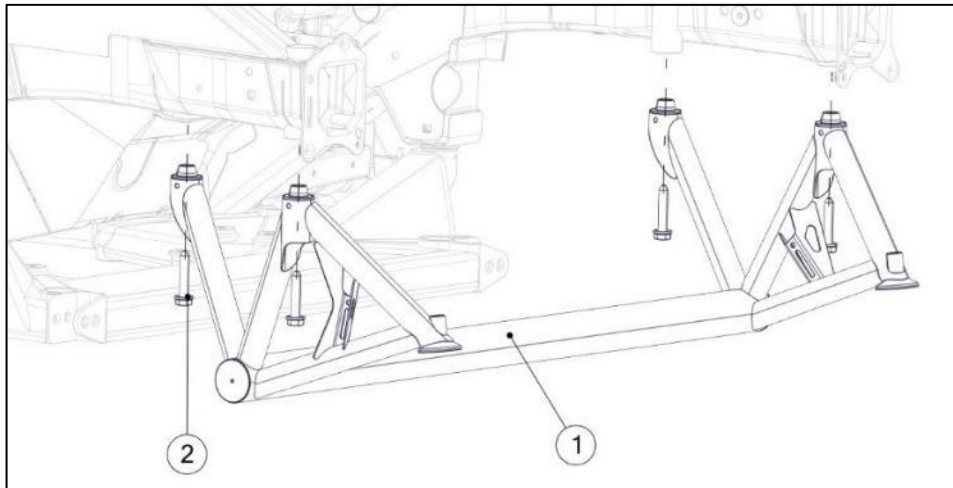
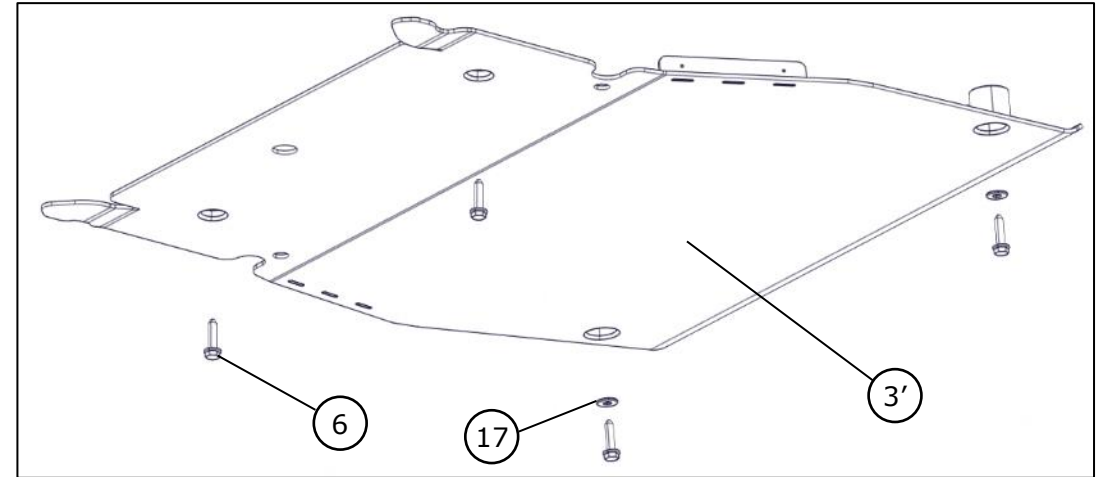




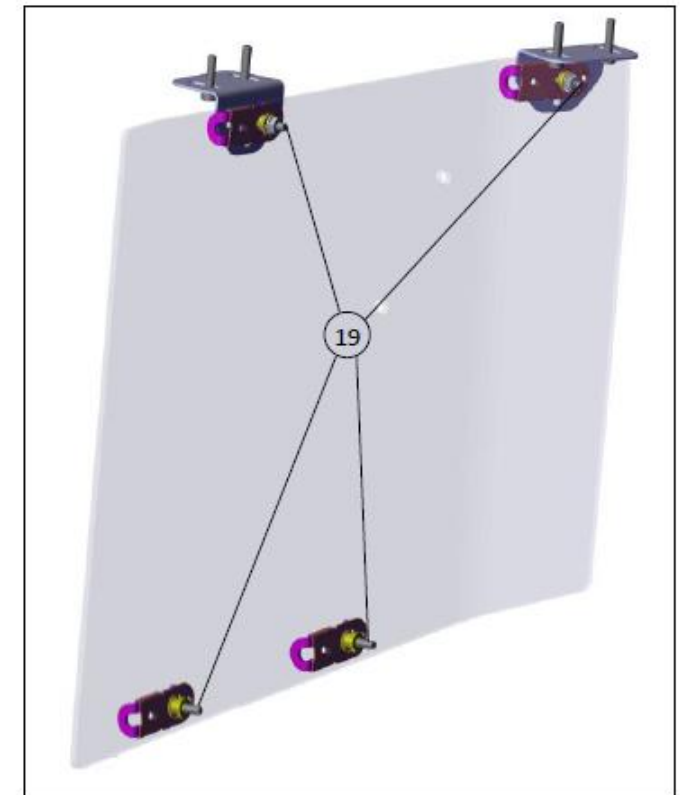
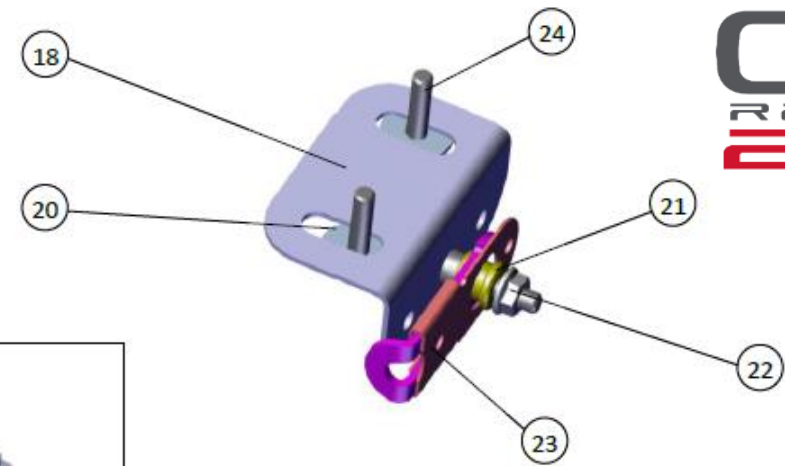
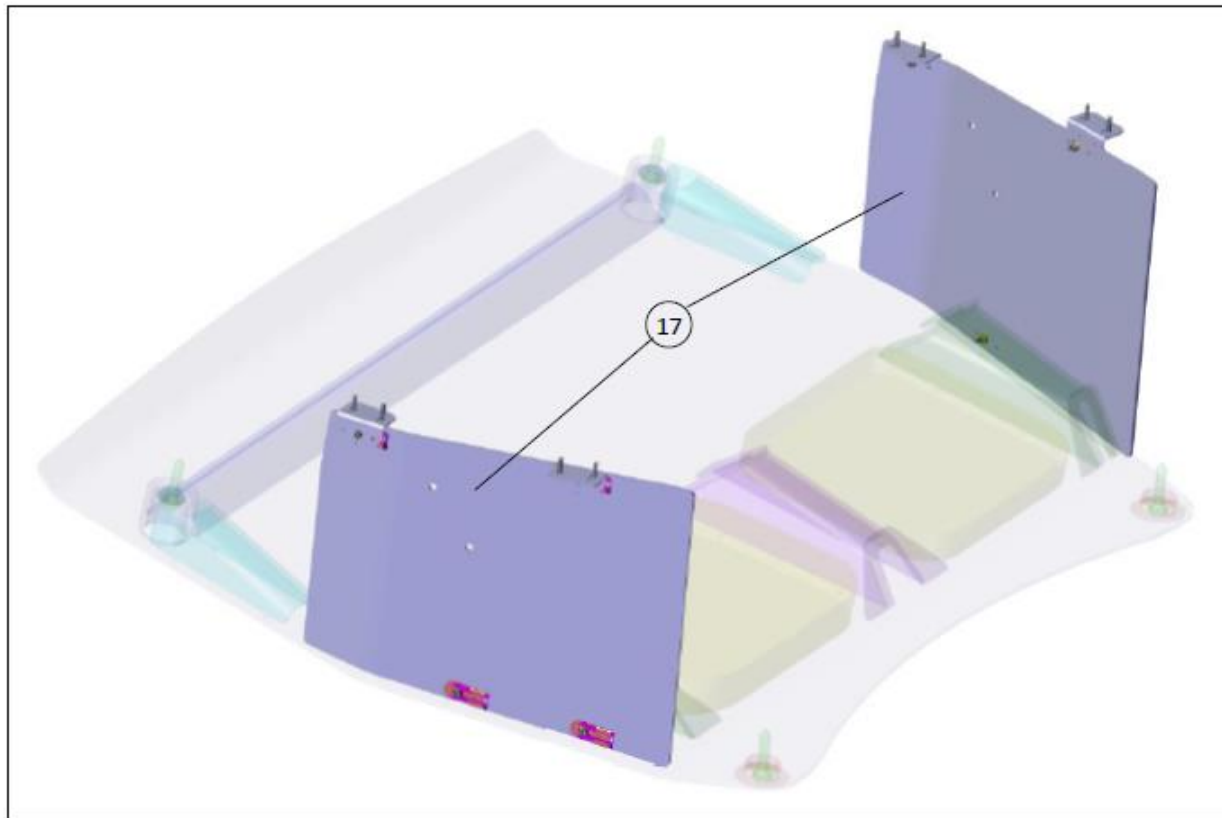
SKI AV STD / STD FRONT SUMPGUARD



SKI AV EVO / FRONT SUMPGUARD EVO

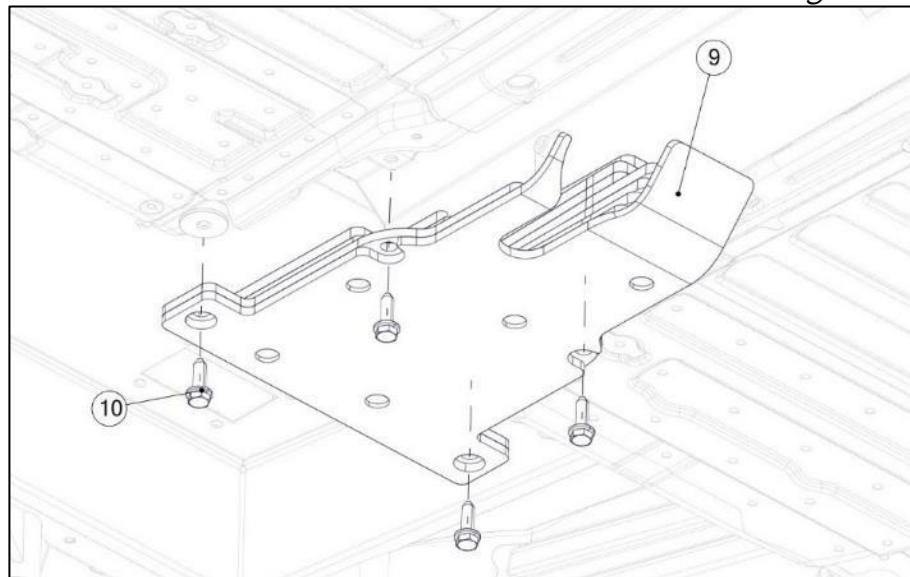


REP	REFERENCE	QTE	DESIGNATION
SKI AVANT			
1	904473798C	1	TRAVERSE AV <i>Front cross beam</i>
2	6922G8	4	VIS TH RDL M10X55 <i>Screw TH RDL M10X55</i>
3	904483618C	1	SKI AVANT ASPH <i>Tarmac Sumpguard</i>
	904483798C	1	SKI AVANT TERRE <i>Gravel sumpguard</i>
4	904473908A	2	RONDELLE EPAULÉE SKI AV <i>Sumpguard shouldered washer</i>
5	904473898D	2	CENTREUR SKI <i>Centering washer</i>
6	6923H3	4	VIS M10 L45 <i>SCREW M10 L45</i>
7	904480758A	1	MOUSSE SKI AVANT D <i>Sumpguard right foam</i>
8	904480748C	1	MOUSSE SKI AVANT G <i>Sumpguard left foam</i>
SKI AVANT EVO			
3'	904702598E	1	SKI AVANT ASPH Evo <i>Tarmac Sumpguard Evo</i>
	904702588E	1	SKI AVANT TERRE Evo <i>Gravel sumpguard Evo</i>
6	6923H3	4	VIS M10 L45 <i>SCREW M10 L45</i>
17	904473918A	2	Rondelle plate <i>Washer</i>

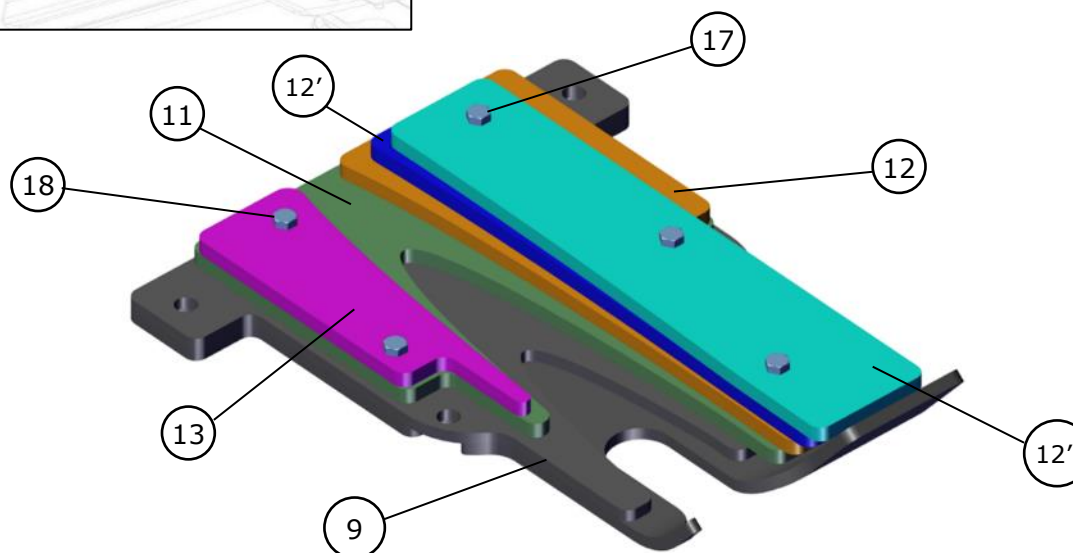
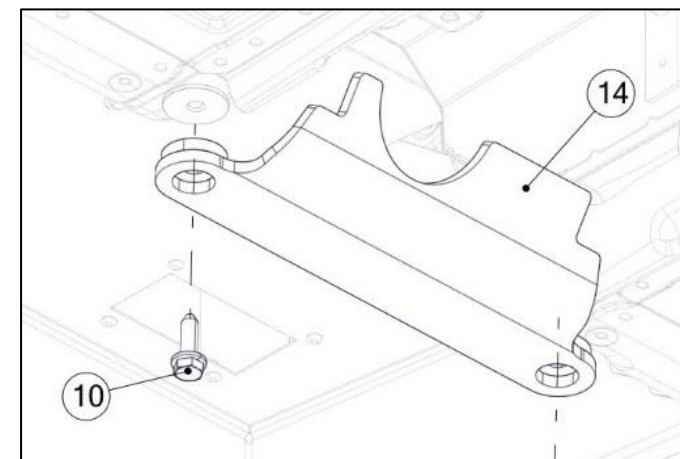


REP	REFERENCE	QTE	DESIGNATION
PROTECTION DE SKI AVANT / <i>Sumpguard side protection</i>			
17	904616608B	2	FERMETURE SKI
18	904600878A	4	EQUERRE FEMETURE LATERAL SKI AV
19	PS82004A10	16	Vis CHC M4x16 cl.12.9
20	CS440002ST	8	RONDELLE PLATE 4 D14 E1
21	PS78574A10	8	PION DE TARGETTE
22	PS74015A10	4	Ecrou à embase M4
23	PS78573A10	8	TARGETTE
24	PS92565A10	16	Rivet TF alu Ø3.2x6

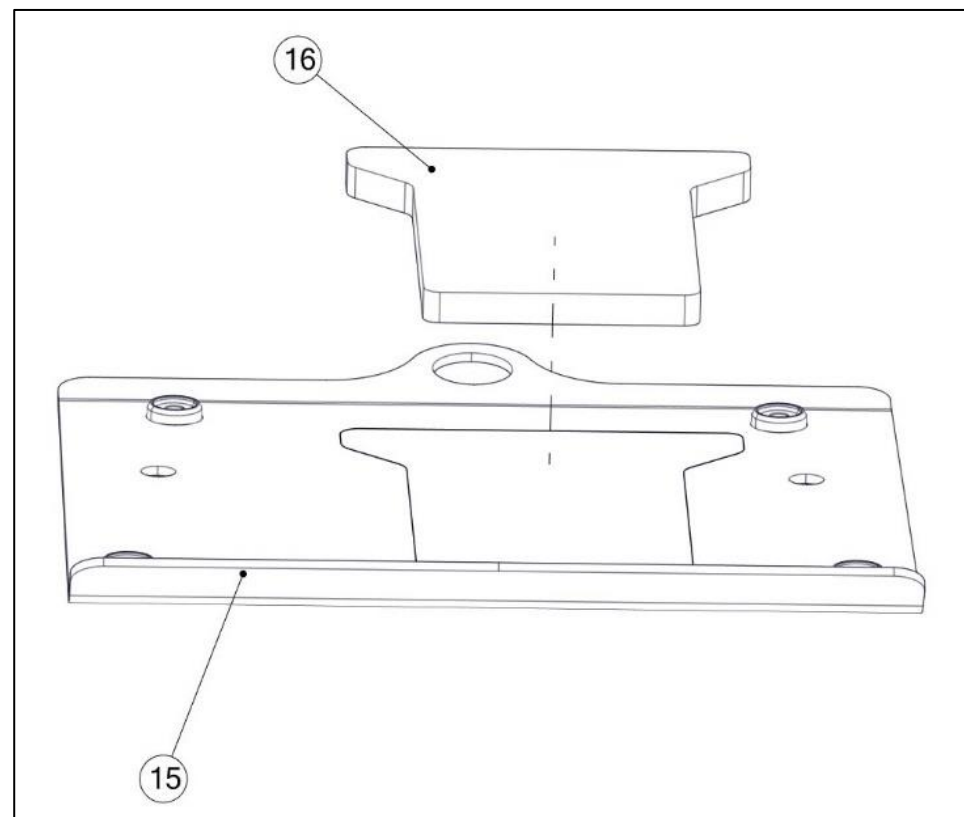
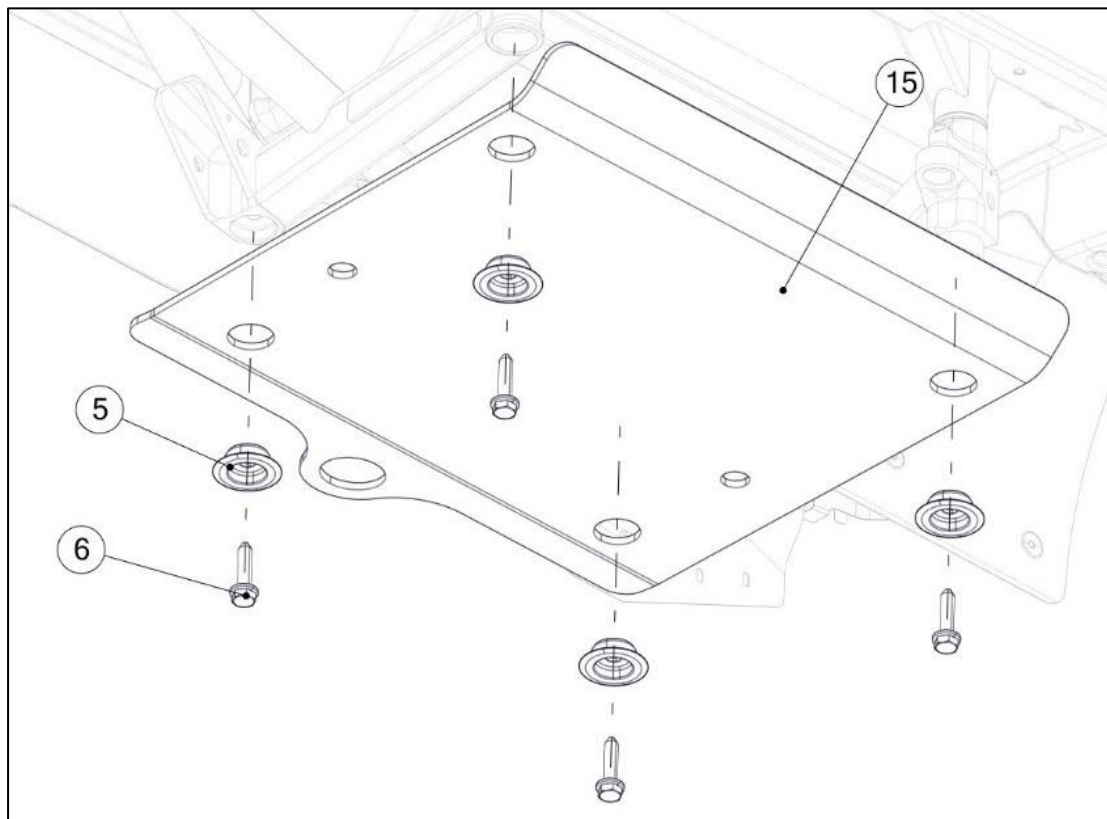
SKI TUNNEL ASPHALTE / *Tarmac tunnel guard*



SKI TUNNEL TERRE / *Gravel tunnel guard*



REP	REFERENCE	QTE	DESIGNATION
SKI TUNNEL ASPH			
9	904492708C	1	ENS SKI TUNNEL ASPH <i>Tarmac tunnel guard</i>
10	6925N1	4	VIS TH RDL M10X150-45 <i>Screw TH RDL M10x150-45</i>
11	904664388A	1	Plaque 2 <i>Plate 2</i>
12	904664398A	1	Plaque 3 <i>Plate 3</i>
12'	904664418A	1	Plaque 5 <i>Plate 5</i>
12''	904664428A	1	Plaque 6 <i>Plate 6</i>
13	904664408A	1	Plaque 4 <i>Plate 4</i>
17	ST05300096	3	Vis M8x125 L55 <i>Screw M8x125 L55</i>
18	ST05300063	2	Vis M8x125 L35 <i>Screw M8x125 L35</i>
*	PS86510A10	5	Rondelle <i>Washer</i>
SKI TUNNEL TERRE			
10	6923H3	2	VIS TH RDL M10X150-35 <i>Screw TH RDL M10x150-35</i>
14	904492728B	1	ENS-SKI-TUNNEL-TERRE <i>Gravel tunnel guard</i>

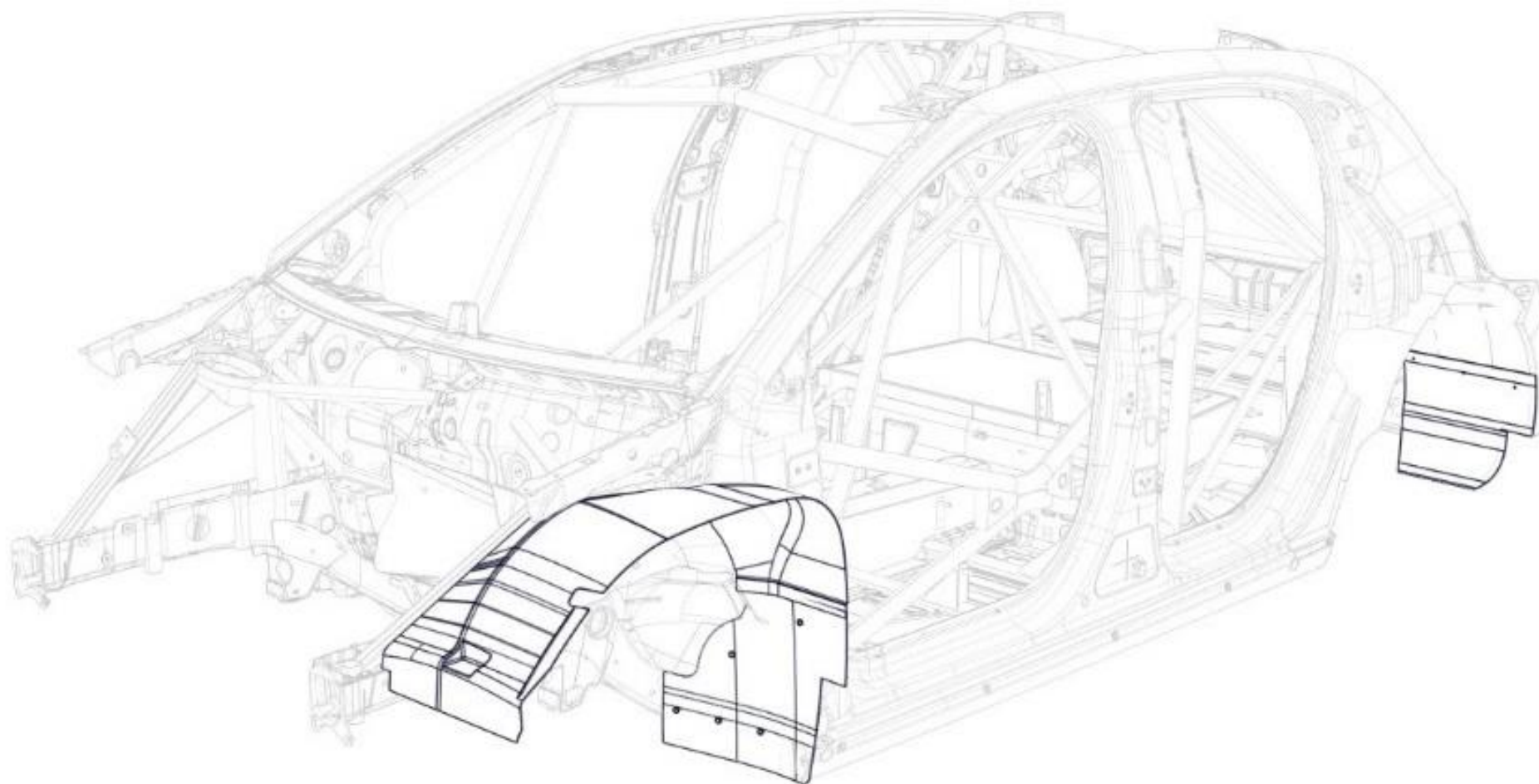


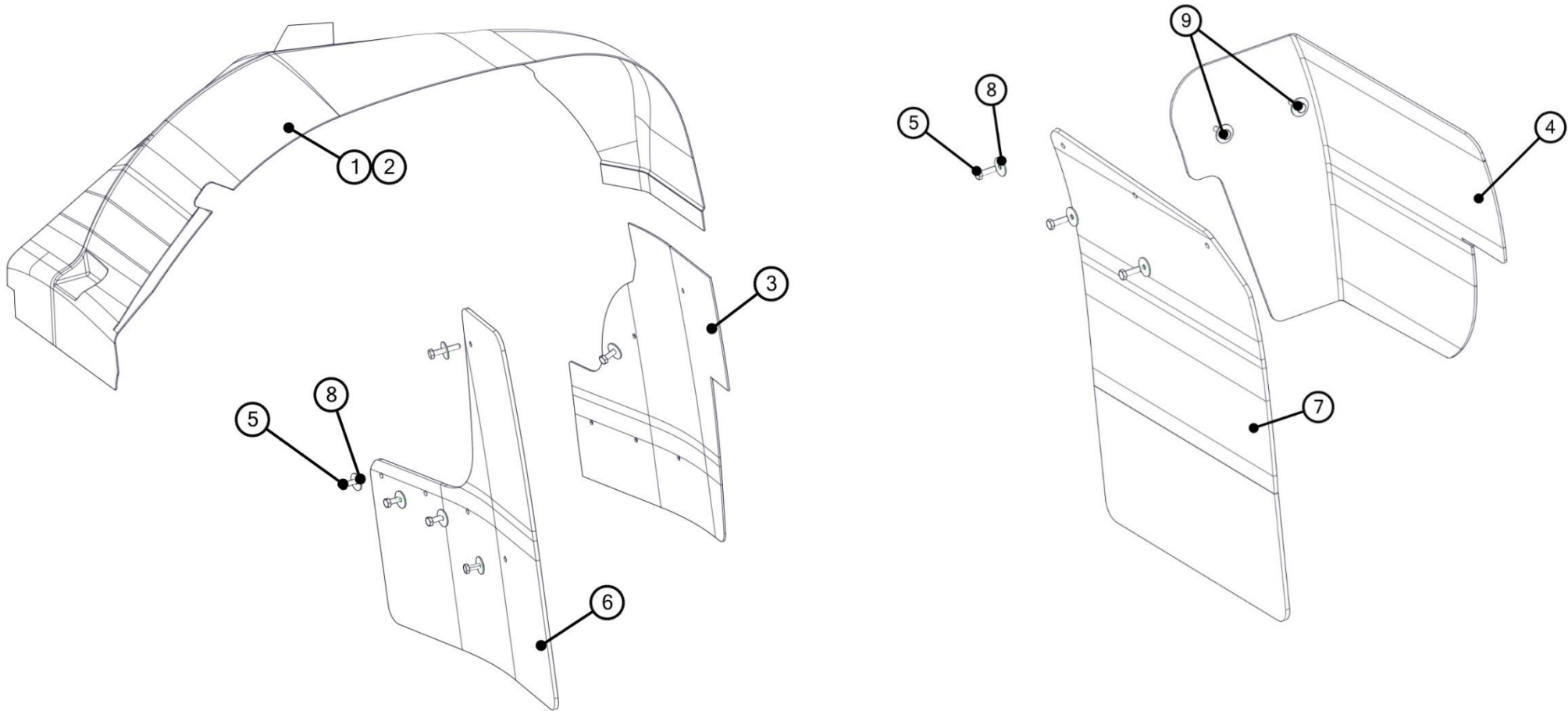
REP	REFERENCE	QTE	DESIGNATION
SKI ARRIERE			
15	904481658E	1	SKI AR Asphalte / Terre <i>Tarmac / Gravel Diff guard</i>
5	904473898D	4	CENTREUR SKI <i>Centering washer</i>
6	692373	4	VIS M10 L45 <i>SCREW M10 L45</i>
16	904483558A	1	MOUSSE SKI AR <i>Diff guard foam</i>



R6C PASSAGES DE ROUE *WHEEL ARCHES*







REP	REFERENCE	QTE	DESIGNATION
1	904463878D	1	Protection passage de roue AVG <i>Front Left wheel arch protection</i>
2	904463868D	1	Protection passage de roue AVD <i>Front Right wheel arch protection</i>
3	904491308B	2	Passage de roue avant inférieur G et D <i>Front left and right inferior wheel arch</i>
4*	904697168A	2	Passage de roue arrière G et D <i>Rear left and right wheel arch</i>
5	PS84526A10	18	VIS H M6x20 <i>SCREW H M6x20</i>
6	904491328C	2	Bavette AV <i>Front mudflap</i>
7	904491338C	2	Bavette AR <i>Rear mudflap</i>
8	PS86586A10	18	Rondelle D6x18x1,2 <i>Washer D6x18x1,2</i>
9	6974A5	4	Rivet <i>Rivet</i>

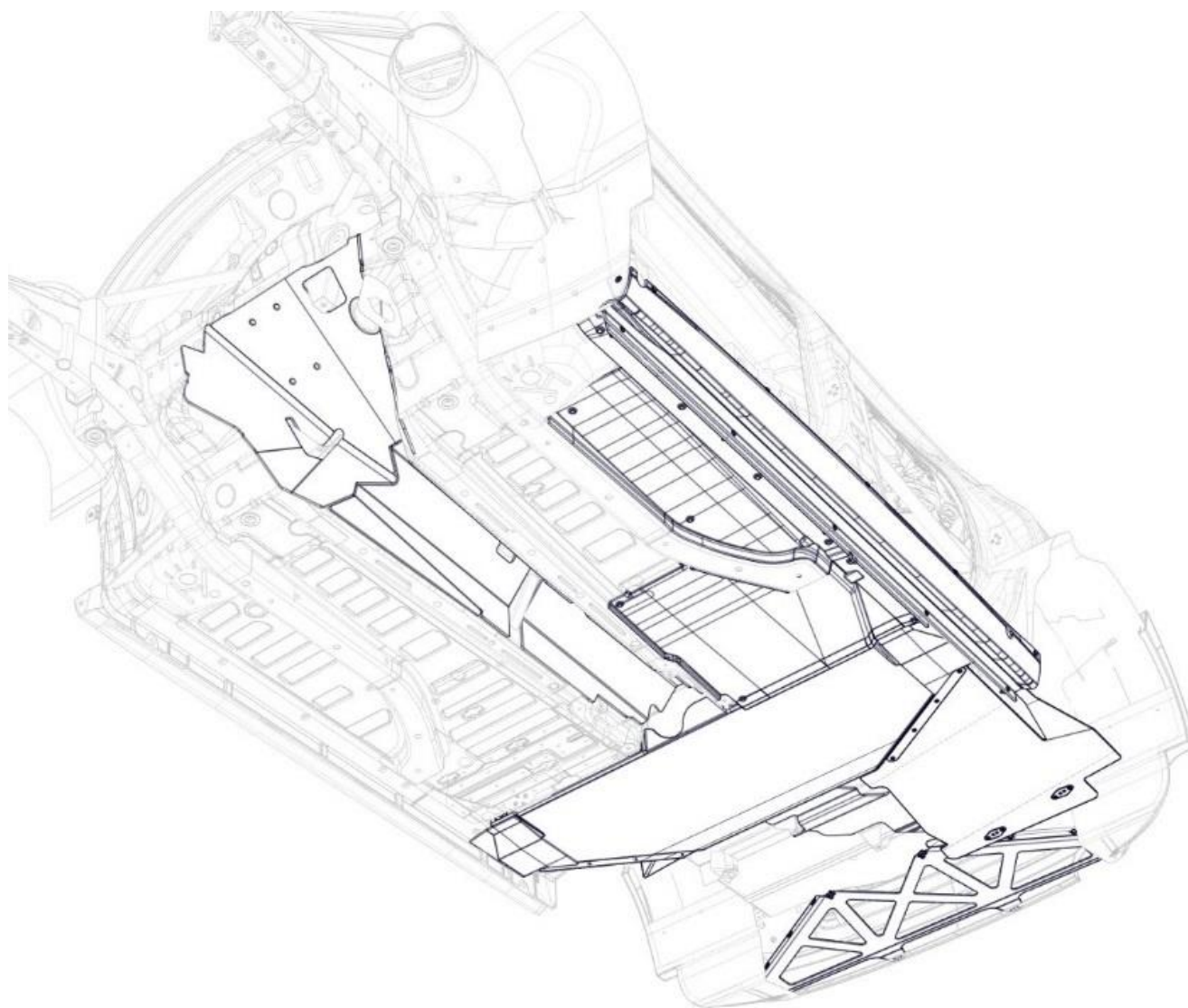
* : à replier contre l'intérieur du passage de roue

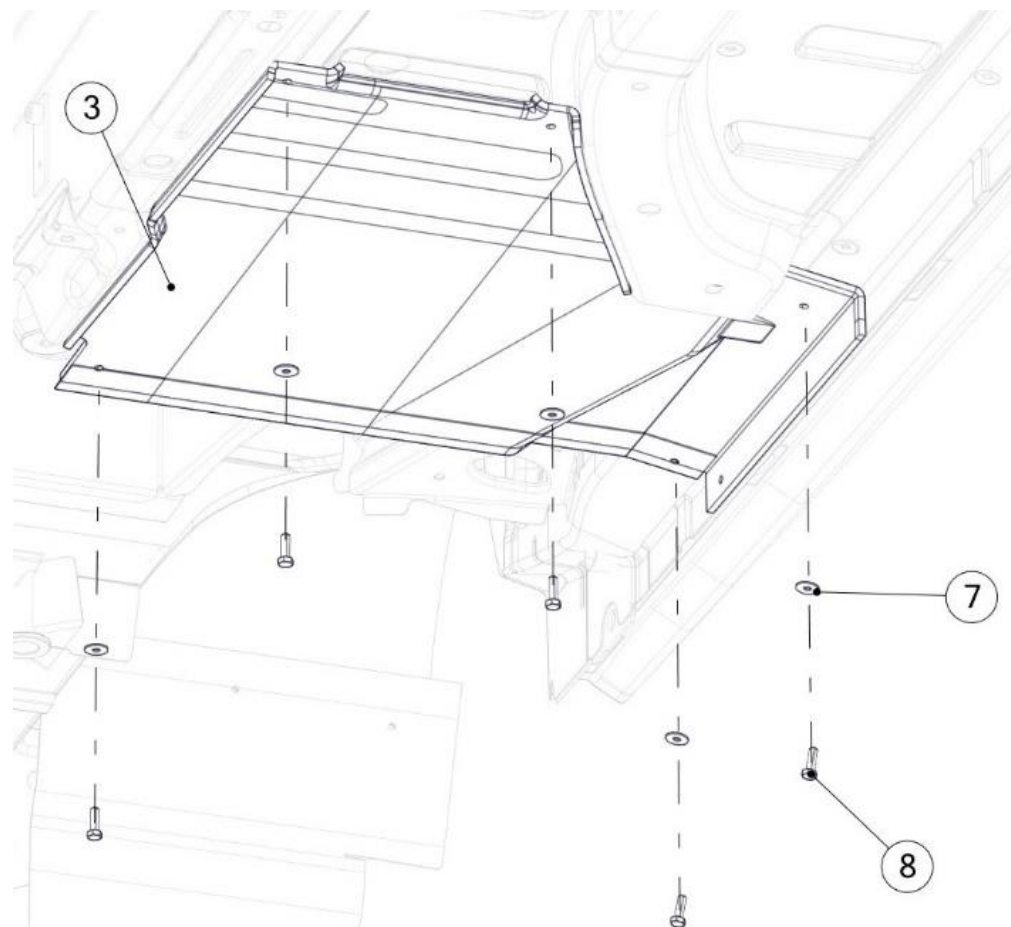
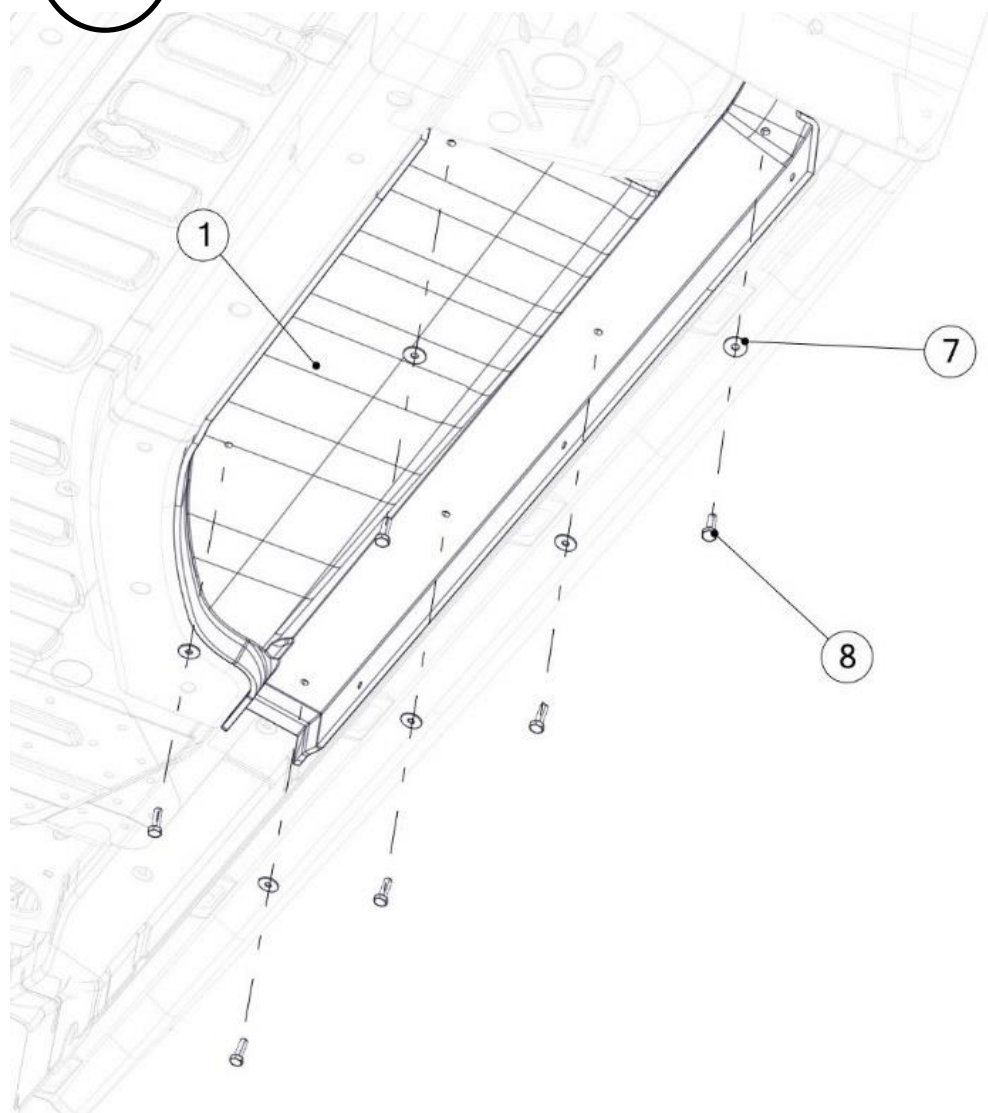
* : to be folded against the inner wheelarch



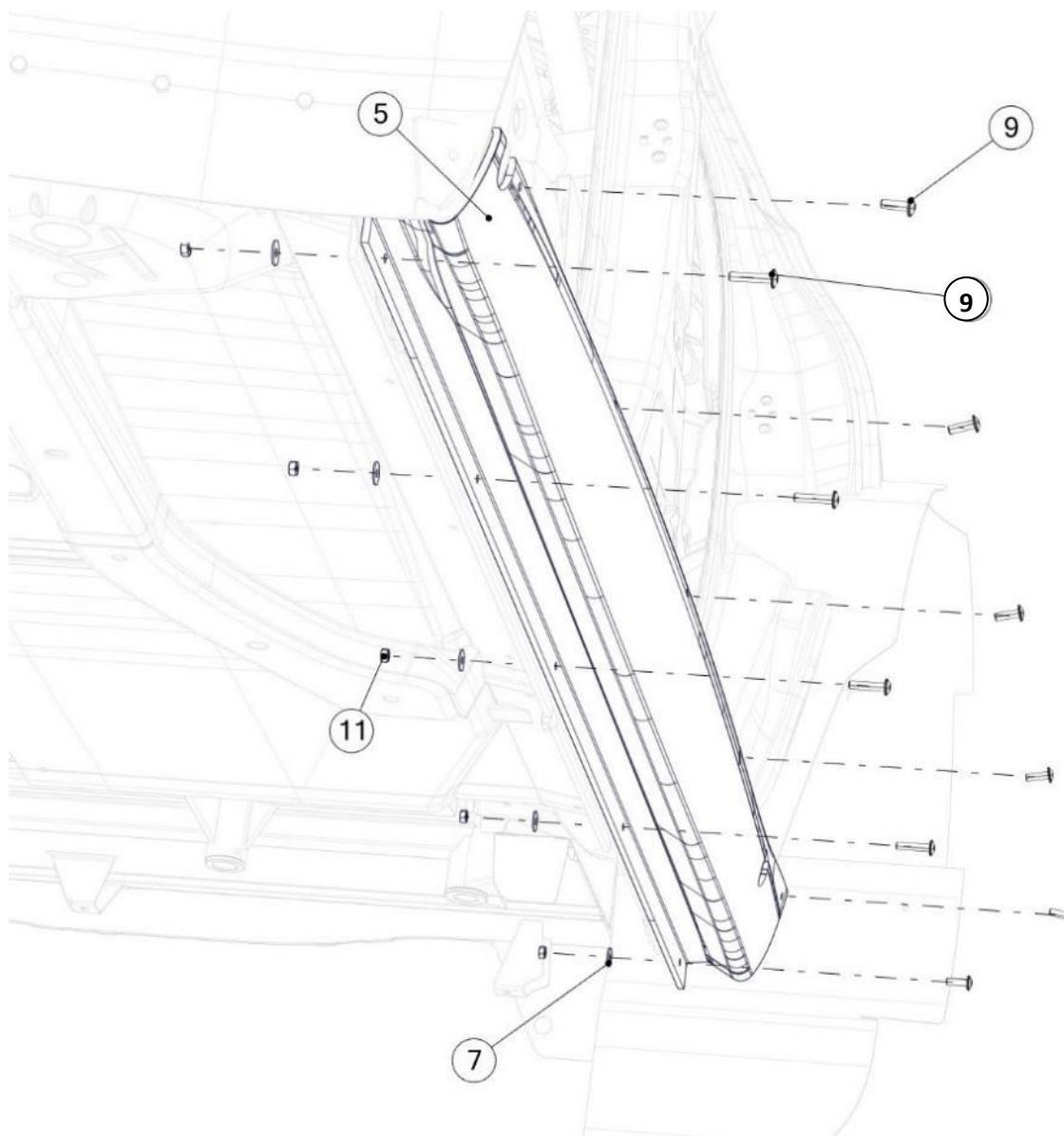
R6C PROTECTION *PROTECTION*



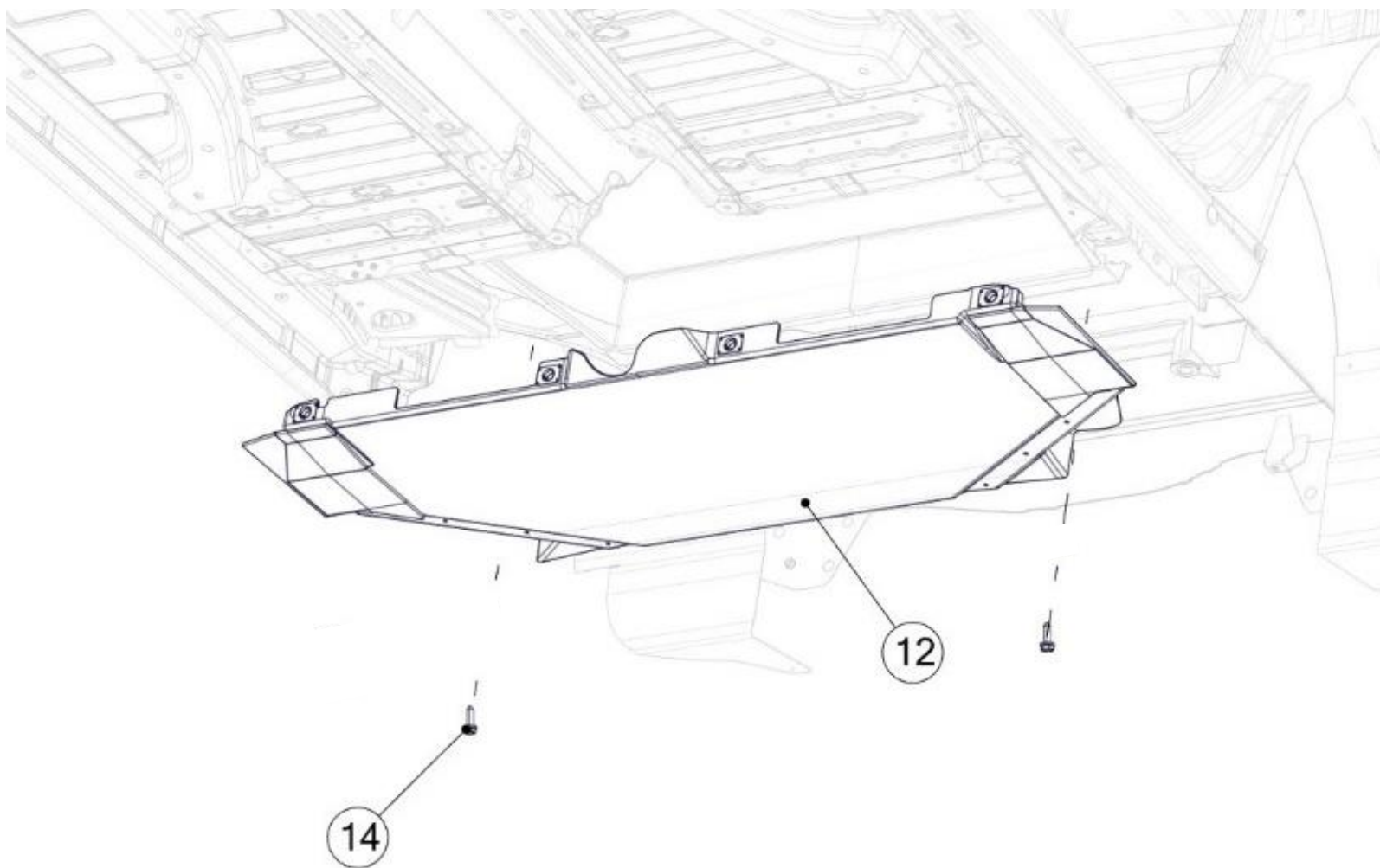




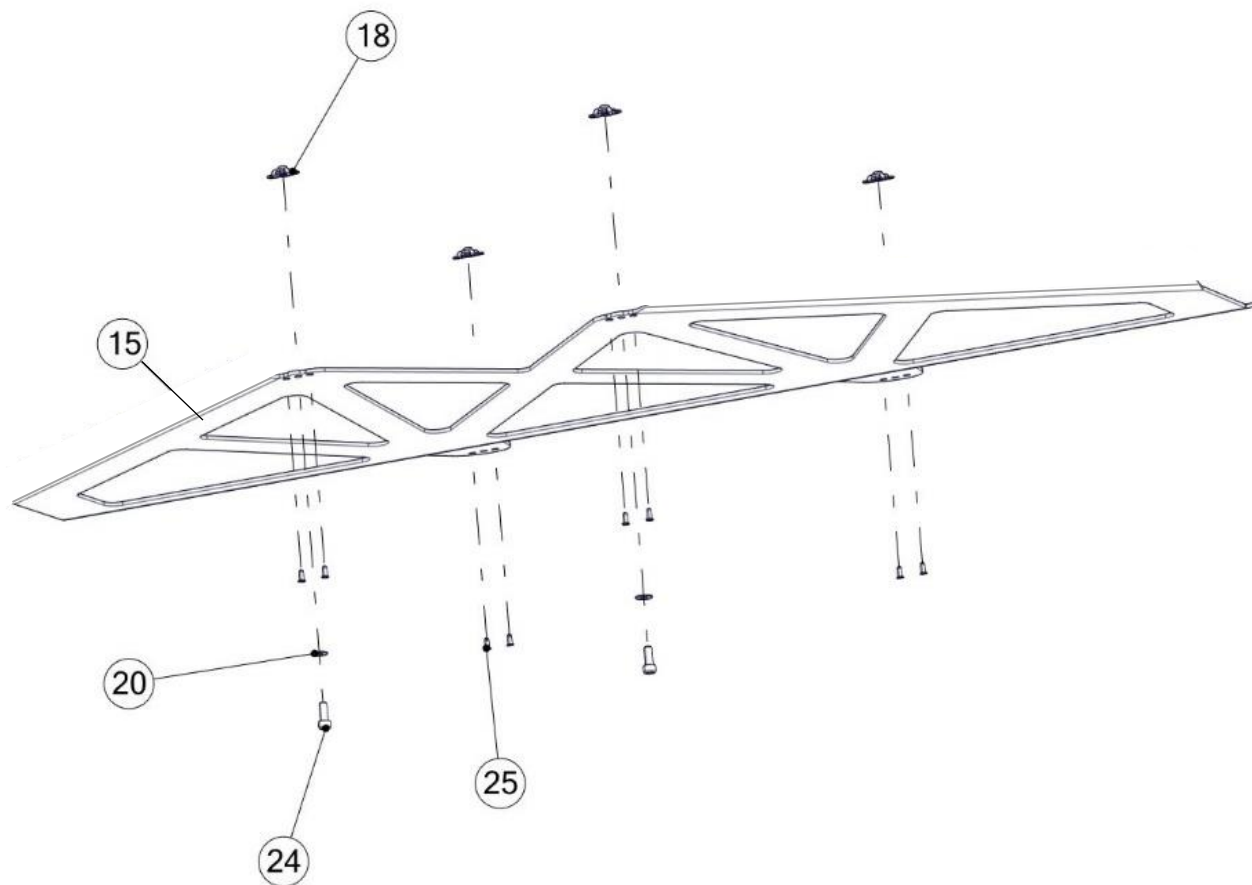
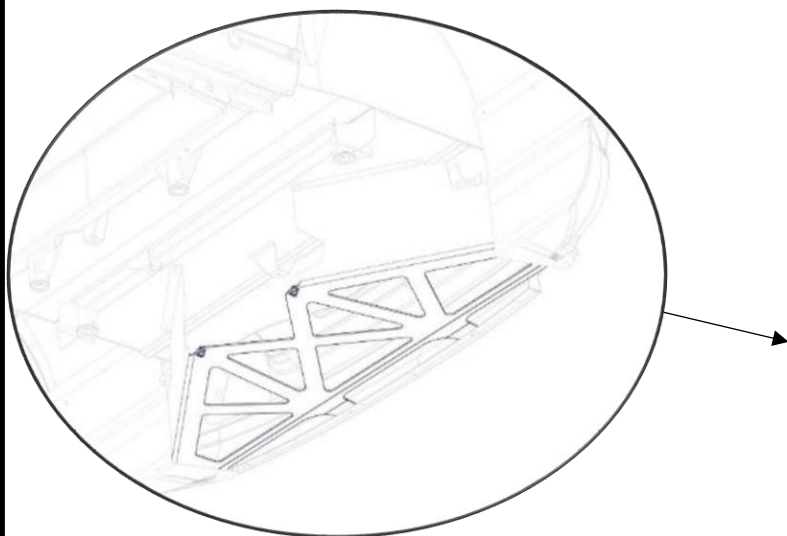
REP	REFERENCE	QTE	DESIGNATION
1	904461868C	1	PROTECTION PLANCHER AVG <i>Front left underfloor protection</i>
2	904461888C	1	PROTECTION PLANCHER AVD <i>Front right underfloor protection</i>
3	904461858D	1	PROTECTION PLANCHER ARG <i>Rear left underfloor protection</i>
4	904461878D	1	PROTECTION PLANCHER ARD <i>Rear right underfloor protection</i>
7	PS86586A10	32	ROND PLATE 6 D18 E1.2 <i>Washer 6 D18 E1.2</i>
8	PS84526A10	22	VIS H M6X20 ACIER CL12.9 <i>Screw H M6X20 CL12.9</i>



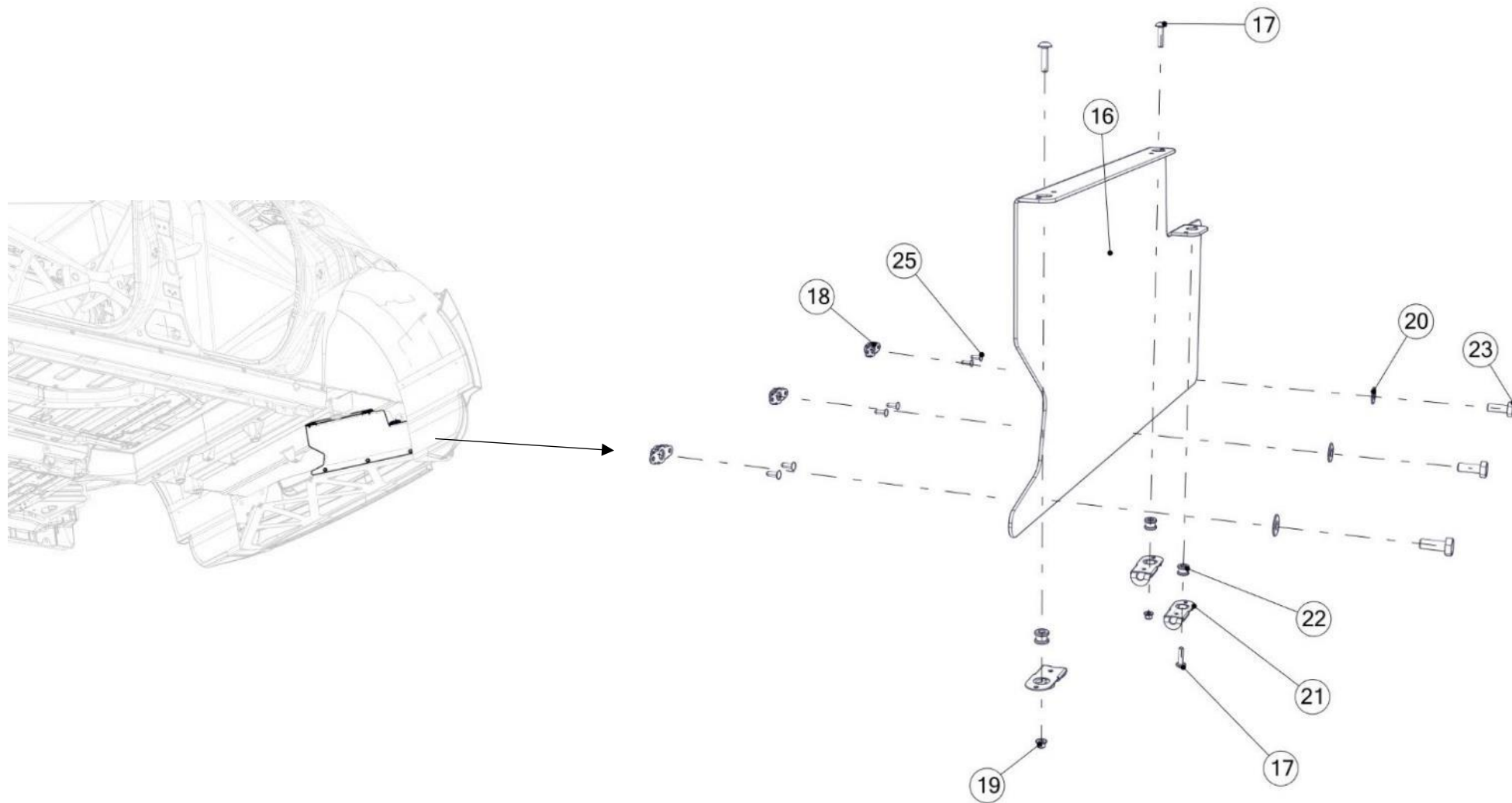
REP	REFERENCE	QTE	DESIGNATION
5	904461828D	1	PROTECTION BAS DE CAISSE G <i>Left sill protection</i>
6	904461838D	1	PROTECTION BAS DE CAISSE D <i>Right sill protection</i>
7	PS86586A10	20	ROND PLATE 6 D18 E1.2 <i>Washer 6 D18 E1.2</i>
9	ST05800002	20	VIS ULF M6x20 CL10.9 <i>Screw ULF M6x20 CL10.9</i>
11	6936A9	10	ECROU H M6 <i>M6 NUT</i>



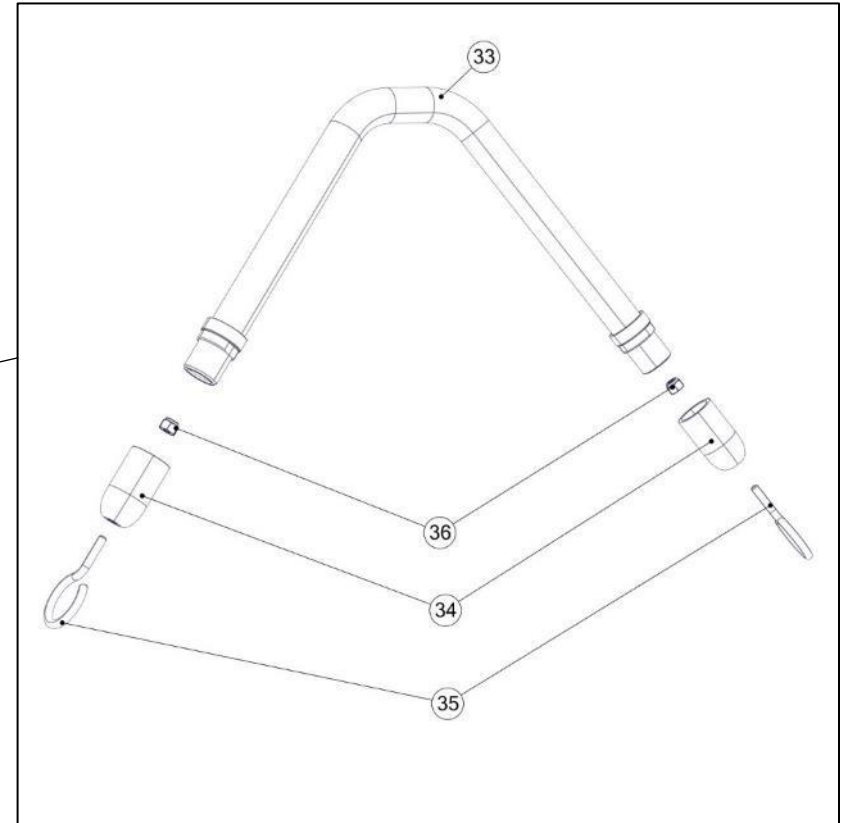
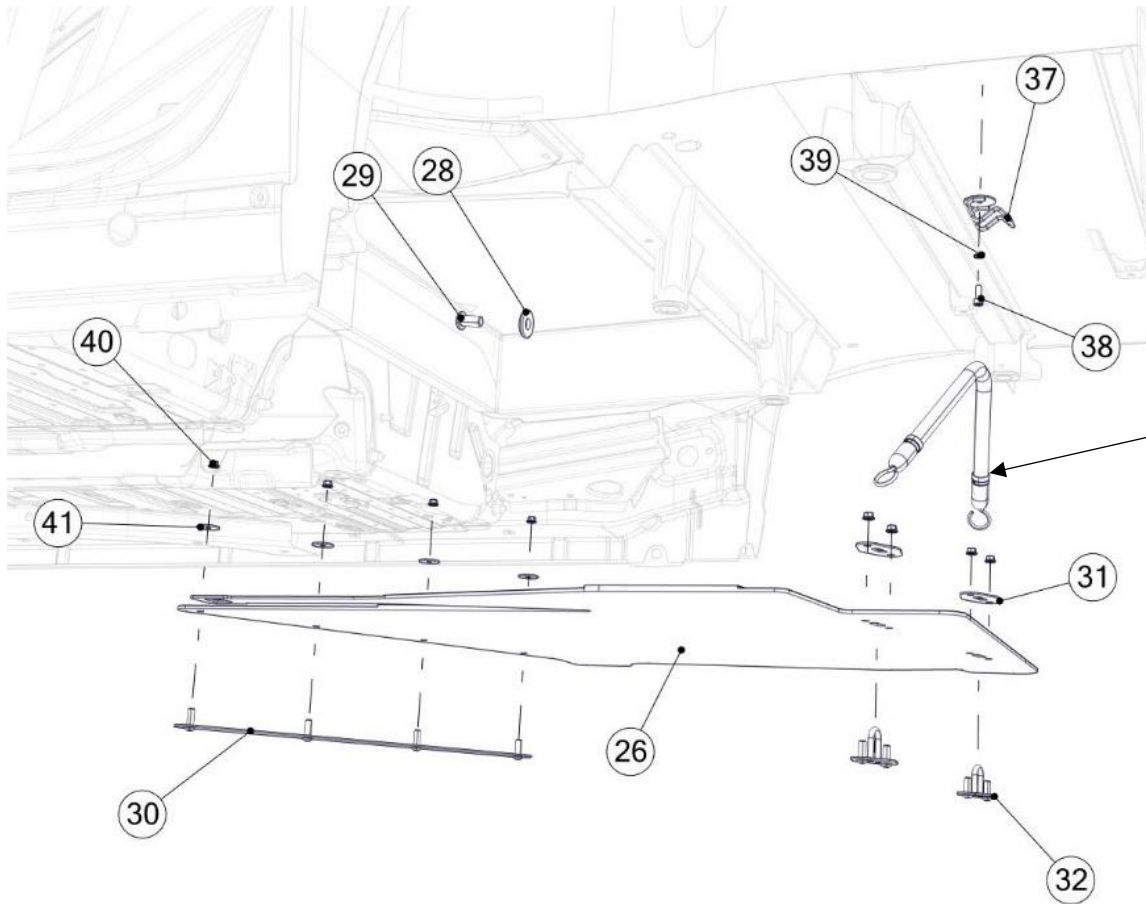
REP	REFERENCE	QTE	DESIGNATION
12	904478588E	1	PROTECTION SOUS RESERVOIR <i>Fuel tank protection</i>
14	5132A7	2	Vis TH RDL M10x25 cl8,8 <i>Loose washer screw TH M10x25 cl8.8</i>



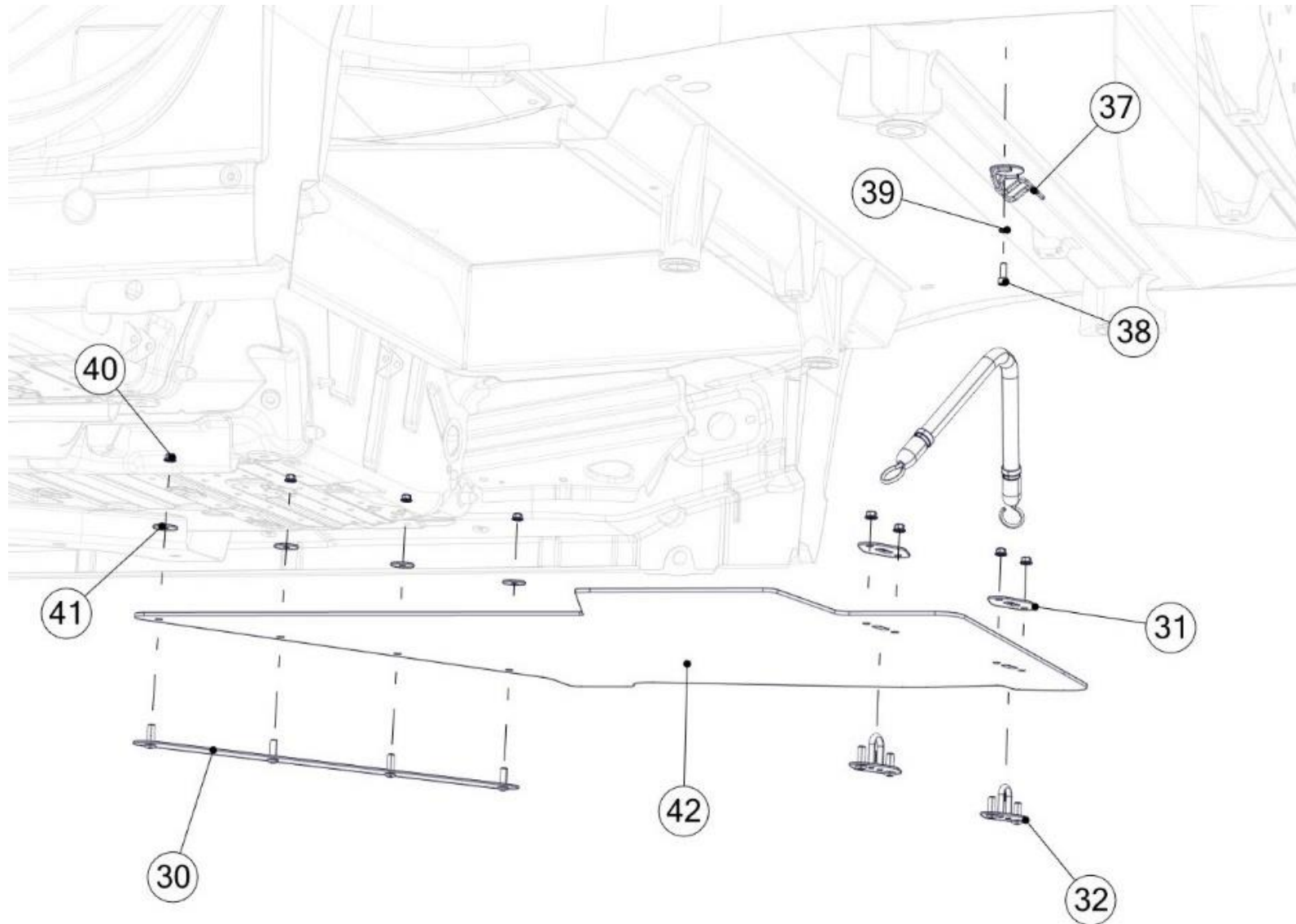
REP	REFERENCE	QTE	DESIGNATION
15	904877368A	1	PROTECTION ECHAPPEMENT <i>Exhaust protection</i>
18	PS74673A10	10	ECROU PRI M6x1.00 <i>Nut cage M6x100</i>
20	PS86011A10	8	RONDELLE PLAT 6X14X1 <i>Washer 6x14x1</i>
24	PS82156A10	2	VIS CHC M6x16 CL12.9 <i>Screw CHC M6x16 CL12.9</i>
25	PS92606A10	20	RIVET F 3 L8 ACIER <i>Rivet F 3 L8 steel</i>



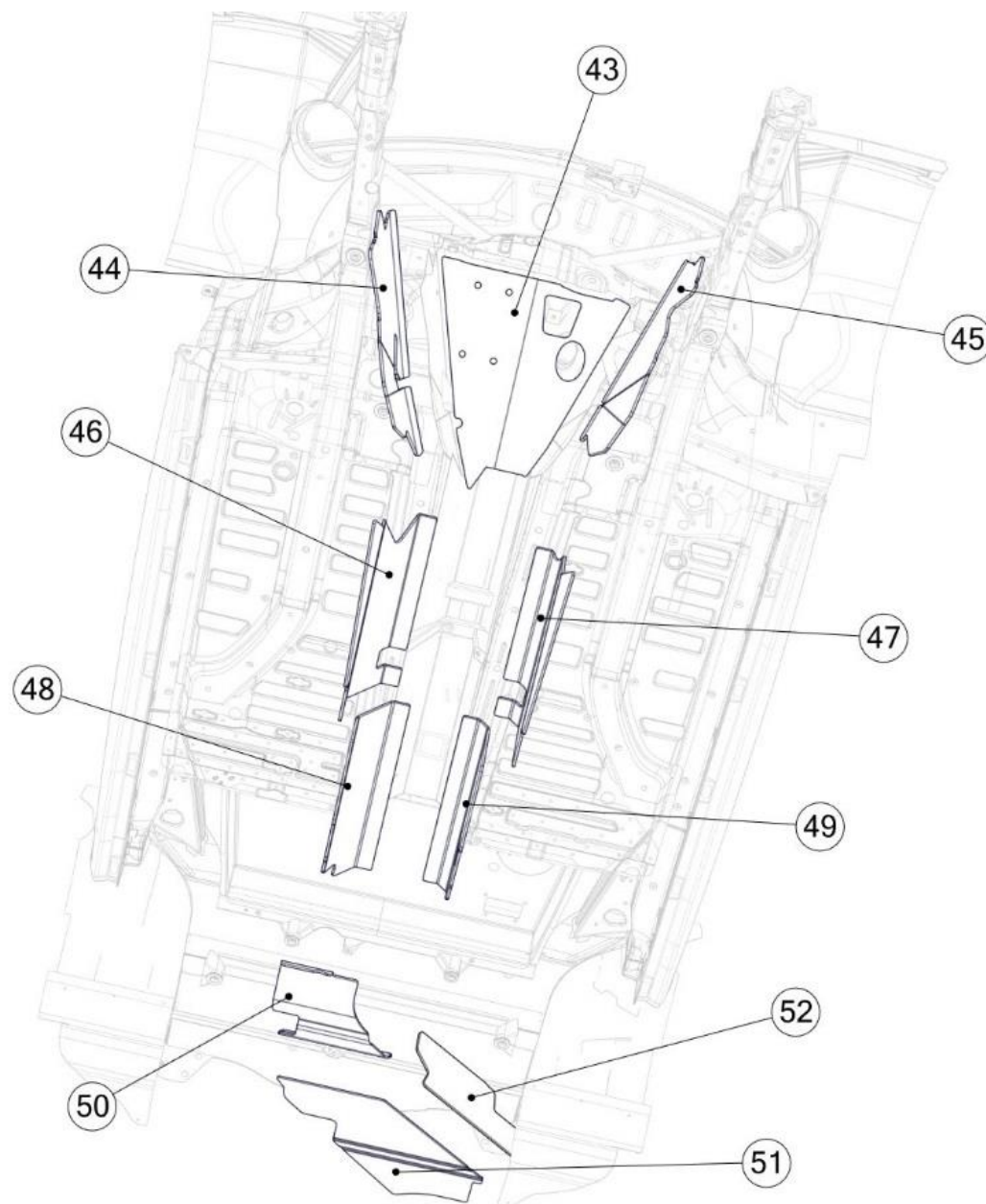
REP	REFERENCE	QTE	DESIGNATION
16	904482398C	2	PROTECTION LATÉRALE <i>Rear side protection</i>
17	PS82654A10	6	VIS ULS M4x15 CL12.9 <i>Screw ULS M4x15 CL12.9</i>
18	PS74673A10	10	ECROU PRI M6x1.00 <i>Nut cage M-x100</i>
19	PS74015A10	6	ECROU A EMBASE M4 <i>Flange nut M4</i>
20	PS86011A10	8	RONDELLE PLAT 6X14X1 <i>Washer 6x14x1</i>
21	PS78573A10	6	TARGETTE <i>slide latch</i>
22	PS78574A10	6	PION DE TARGETTE <i>Bush</i>
23	PS84525A10	6	VIS H M6X16 ACIER CL12.9 <i>Screw H M6x16 CL12.9</i>
25	PS92606A10	24	RIVET F 3 L8 ACIER <i>Rivet F 3 L8 steel</i>



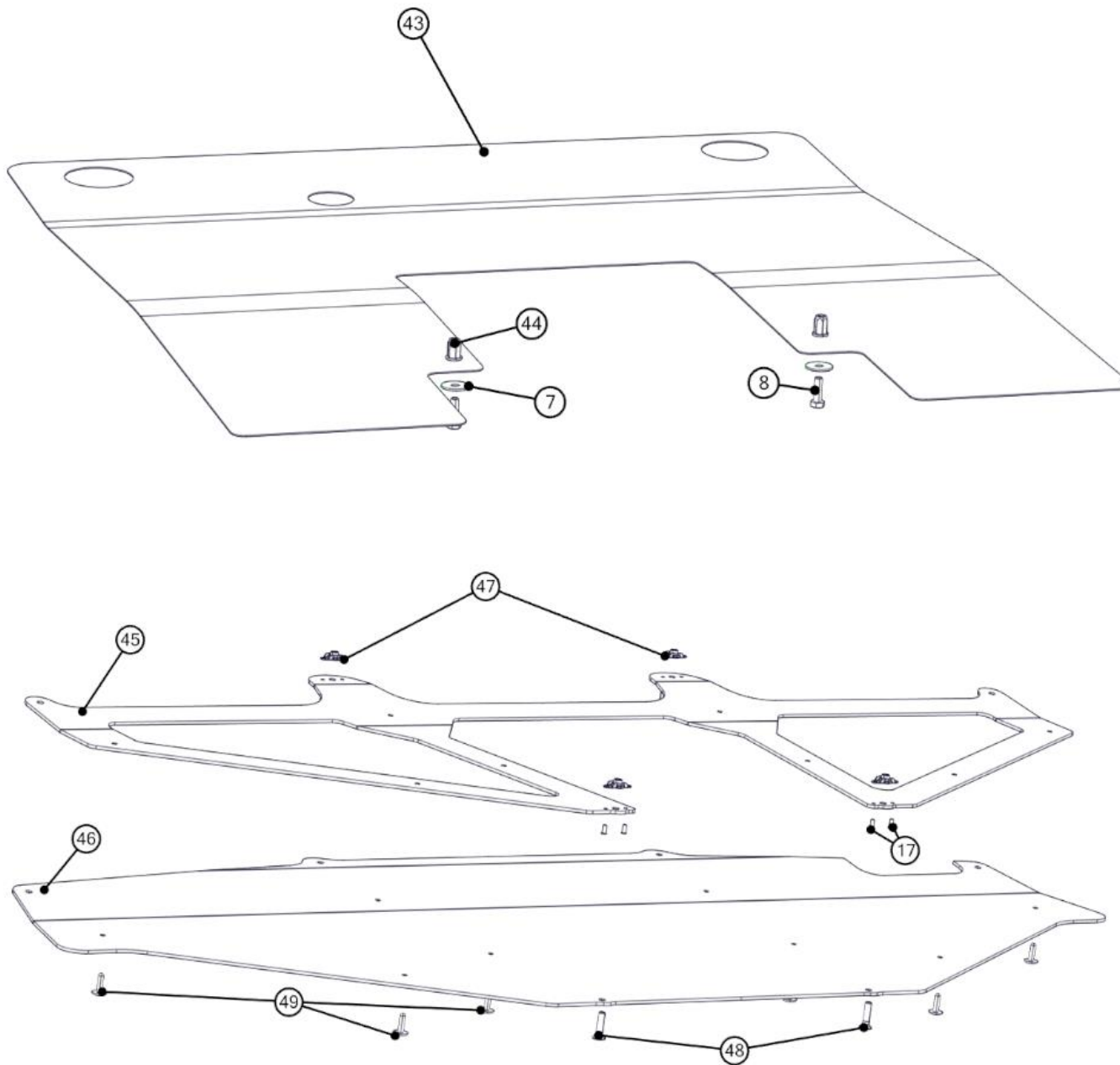
REP	REFERENCE	QTE	DESIGNATION
26	904697358A	2	PROTEC TRIANGLE AR TERRE <i>Gravel rear arm protection</i>
28	904601778A	2	RONDELLE FIX PROTEC TRIANGLE <i>Rear arm protection washer</i>
29	PS85633A10	2	VIS BHC M10X150 L20 <i>Screw BHC M10x150 L20</i>
30	904481978A	2	FIXATION PROT TRIANGLE <i>Rear arm protection fixing plate</i>
31	904482228A	4	PLAQUE U PROTEC TRIANGLE <i>Rear arm protection U plate</i>
32	904482208A	4	U PROTECTION TRIANGLE <i>Rear arm protection U fixing</i>
33	904611788A	2	SANDOW <i>String</i>
34	ST00900015	4	OBUS PLASTIQUE <i>Plastic shell</i>
35	904719748A	4	CROCHET DIAM 4 <i>HOOK DIAM 4</i>
36	ST02500009	4	ECROU H NYSLTOP M4 <i>Nylstop nut M4</i>
37	904561768B	2	AGRAPH PROTECTION PLA <i>Protection staple</i>
38	PS82033A10	2	VIS CHC M5x14 CL12.9 <i>Screw CHC M5x14 CL12.9</i>
39	CS440032ST	2	ROND Z 5X10X1 ALU P60 OABIC <i>Washr 5x10x1 ALU</i>
40	PS74001A10	16	ECROU A EMBASE M6 <i>Flange nut M6</i>
41	PS86050A10	8	ROND PLATE D6x22-1.5 <i>Washer D6x22-1.5</i>



REP	REFERENCE	QTE	DESIGNATION
30	904481978A	2	FIXATION PROT TRIANGLE <i>Rear arm protection fixing plate</i>
31	904482228A	4	PLAQUE U PROTEC TRIANGLE <i>Rear arm protection U plate</i>
32	904482208A	4	U PROTECTION TRIANGLE <i>Rear arm protection U fixing</i>
37	904601688A	2	AGRAPH PROTECTION PLA <i>Protection stapple</i>
38	PS82033A10	2	VIS CHC M5x14 CL12.9 <i>Screw CHC M5x14 CL12.9</i>
39	CS440032ST	2	ROND Z 5X10X1 ALU P60 OABIC <i>Washr 5x10x1 ALU</i>
40	PS74001A10	16	ECROU A EMBASE M6 <i>Flange nut M6</i>
41	PS86050A10	8	ROND PLATE D6x33-1.5 <i>Washer D6x33-1.5</i>
42	904481908B	2	PROTEC TRIANGLE ASPH <i>Tarmac rear arm protection</i>



REP	REFERENCE	QTE	DESIGNATION
43*	904611048A	1	PROTEC THERMIQUE TUNNEL AV <i>Tunnel thermal protection front</i>
44*	904611938A	1	PROTEC THERMIQUE TUNNEL AVD <i>Tunnel thermal protection front right</i>
45*	904611928A	1	PROTEC THERMIQUE TUNNEL AVG <i>Tunnel thermal protection front left</i>
46*	904611958A	1	PROTEC THERMIQUE TUNNEL MID <i>Tunnel thermal protection middle right</i>
47*	904611948A	1	PROTEC THERMIQUE TUNNEL MIG <i>Tunnel thermal protection middle left</i>
48*	904611978A	1	PROTEC THERMIQUE TUNNEL ARD <i>Tunnel thermal protection rear right</i>
49*	904611968A	1	PROTEC THERMIQUE TUNNEL ARG <i>Tunnel thermal protection rear left</i>
50*	904611288A	1	PROTEC THERMIQU PLANCHER AR <i>Underfloor thermal protection rear 1</i>
51*	904611228A	1	PROTEC THERMIQU PLANCHER AR <i>Underfloor thermal protection rear 2</i>
52*	904610098A	1	PROTECTION THERMIQUE <i>Thermal protection</i>
*Les rep 43 à 52 correspondent aux plans de découpe des différentes protections <i>*Rep 43 to 52 are the cut sheets for the thermal protections</i>			
	904484598A	4	PLAQUE ISOLANT THERMIQUE EP3MM 1067x711mm <i>Thermal protection sheet 3mm 1067x711mm</i>



REP	REFERENCE	QTE	DESIGNATION
7	PS86586A10	2	ROND PLATE 6 D18 E1.2 <i>Washer 6 D18 E1.2</i>
8	PS84526A10	2	VIS H M6X20 ACIER CL12.9 <i>Screw H M6X20 CL12.9</i>
17	PS92639A10	2	Rivet D3 L8 <i>Rivet D3 L8</i>
43	904920848B	1	Prolonge de ski AV 2024 <i>Front sumpguard extension 2024</i>
44	694198	1	Ecrou à sertir M6 <i>M6 rivet nut</i>
45	904941818A	1	Protection échappement 2024 <i>Exhaust protection 2024</i>
46	904941828A	1	Protection échappement souple 2024 <i>Flexible exhaust protection 2024</i>
47	ST07800013	1	Ecrou flottant M6 <i>Free nut M6</i>
48	PS85571A10	1	Vis FHC M6x25 <i>FHC screw M6x25</i>
49	697384	1	Rivet TF D4.8 L16 alu <i>Rivet TF D4.8 L16 alu</i>

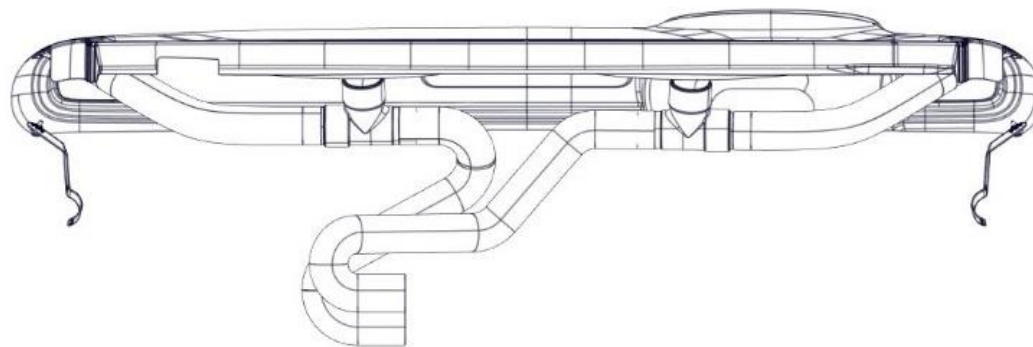
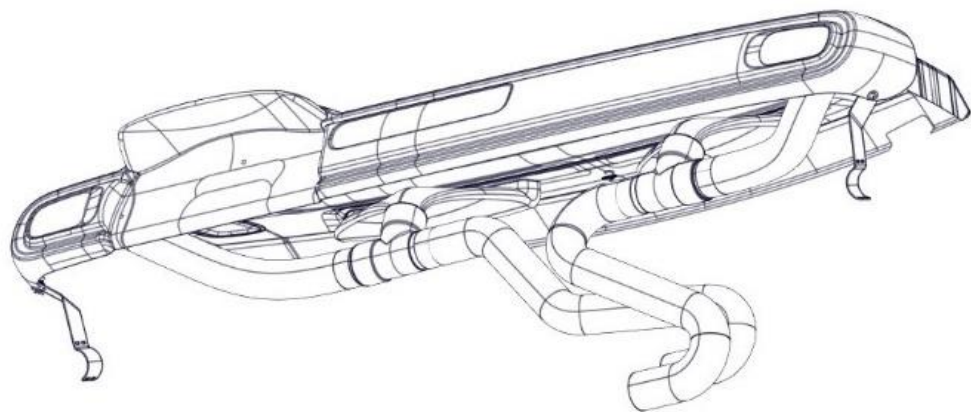


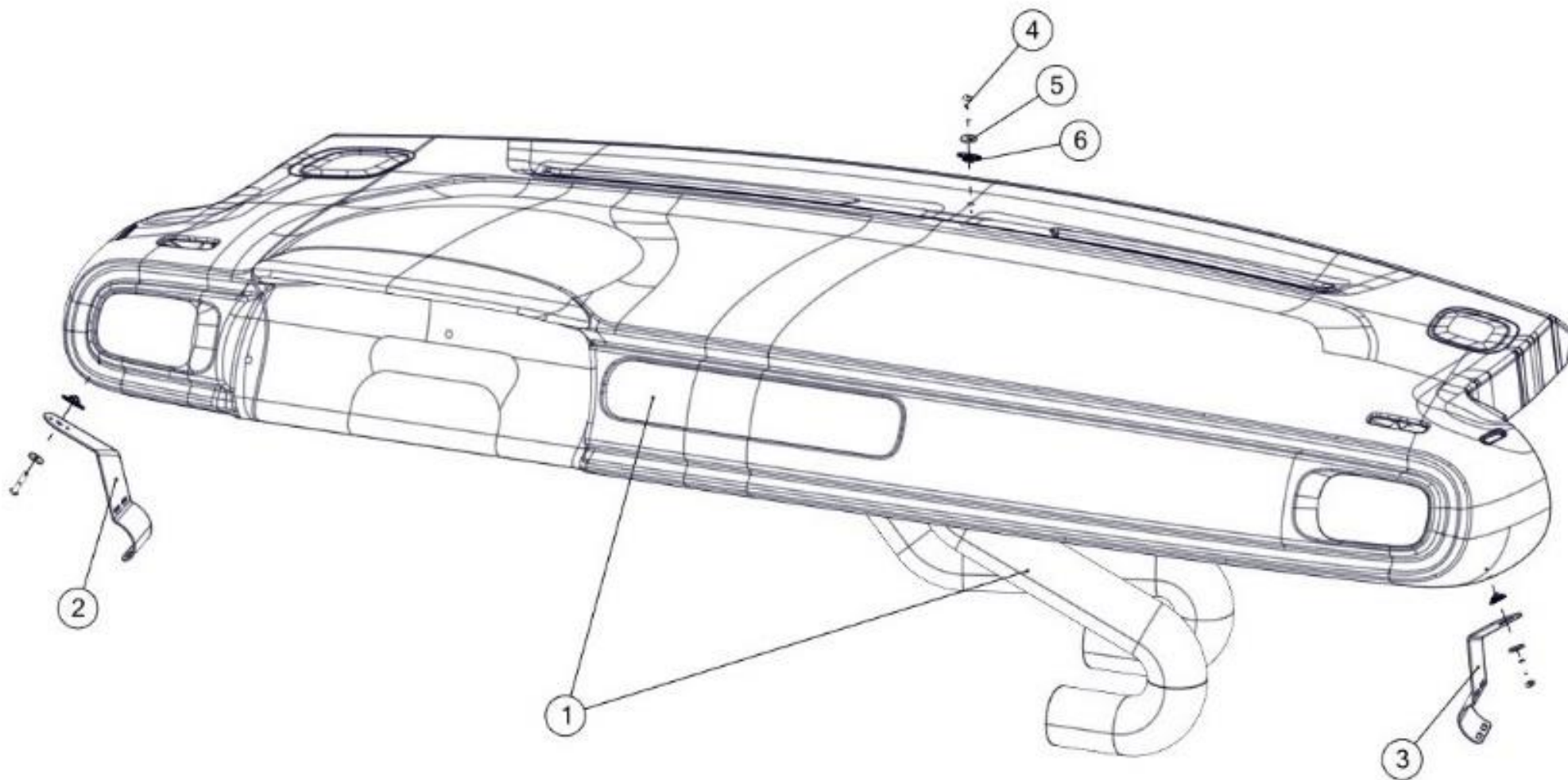
S1A

PLANCHE DE BORD

DASHBOARD





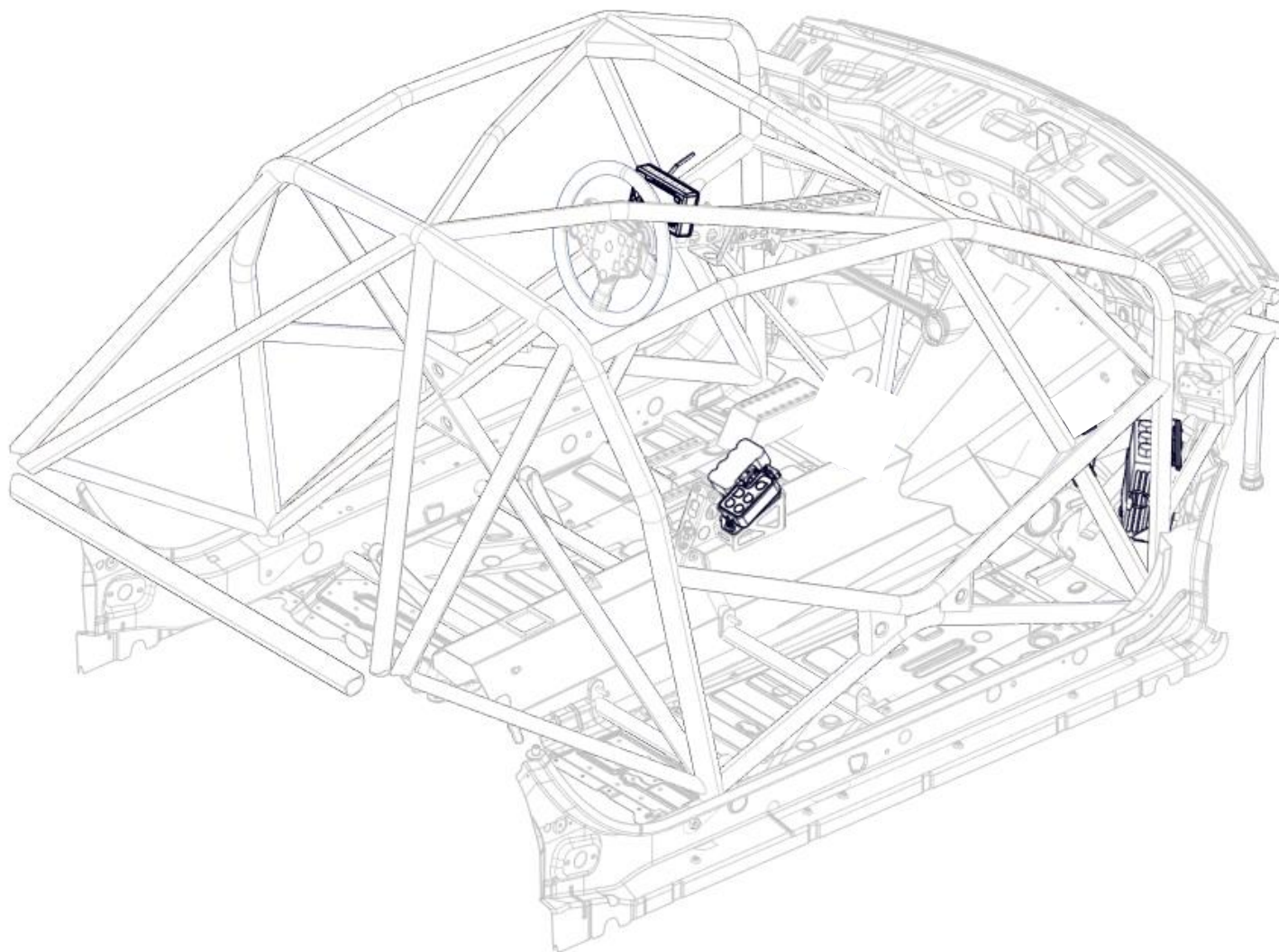


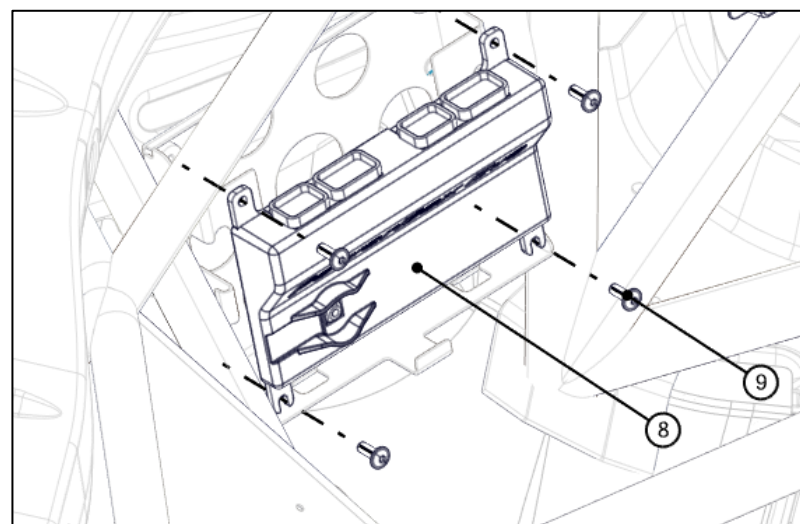
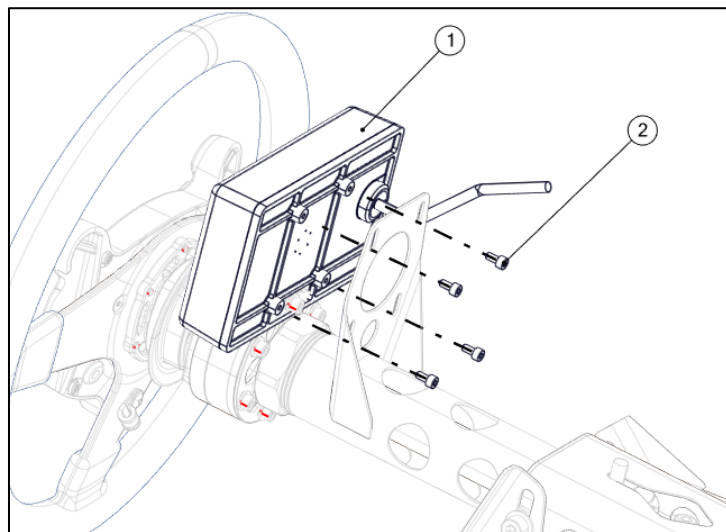
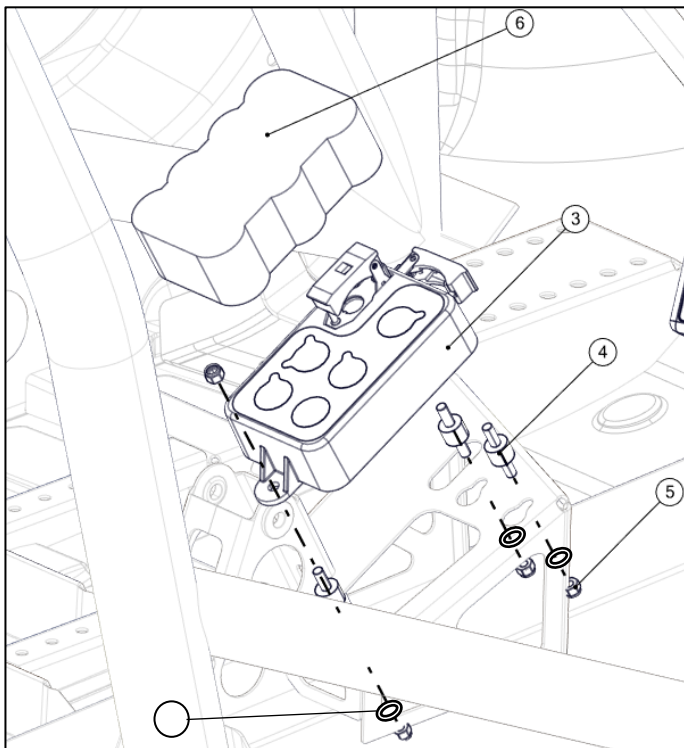
REP	REFERENCE	QTE	DESIGNATION
1	904463508G	1	Planche de bord <i>Dashboard</i>
2	904493138A	1	Patte de fixation PDB G <i>Left support bracket</i>
3	904493148A	1	Patte de fixation PDB D <i>Right support bracket</i>
4	PS85110A10	3	Vis ULS M4 L20 <i>ULS screw M4 L20</i>
5	PS86042A10	3	Rondelle plate D4x14x1.5 <i>Washer D4x14x1.5</i>
6	PS74674A10	3	Ecrou prisonnier M4 <i>Anchor nut M4</i>
	PS92502A10	6	RIVET NUT PLATE F2.4 L3.2 A 4.8 <i>Rivet F2.4 L3.2 A4.8</i>



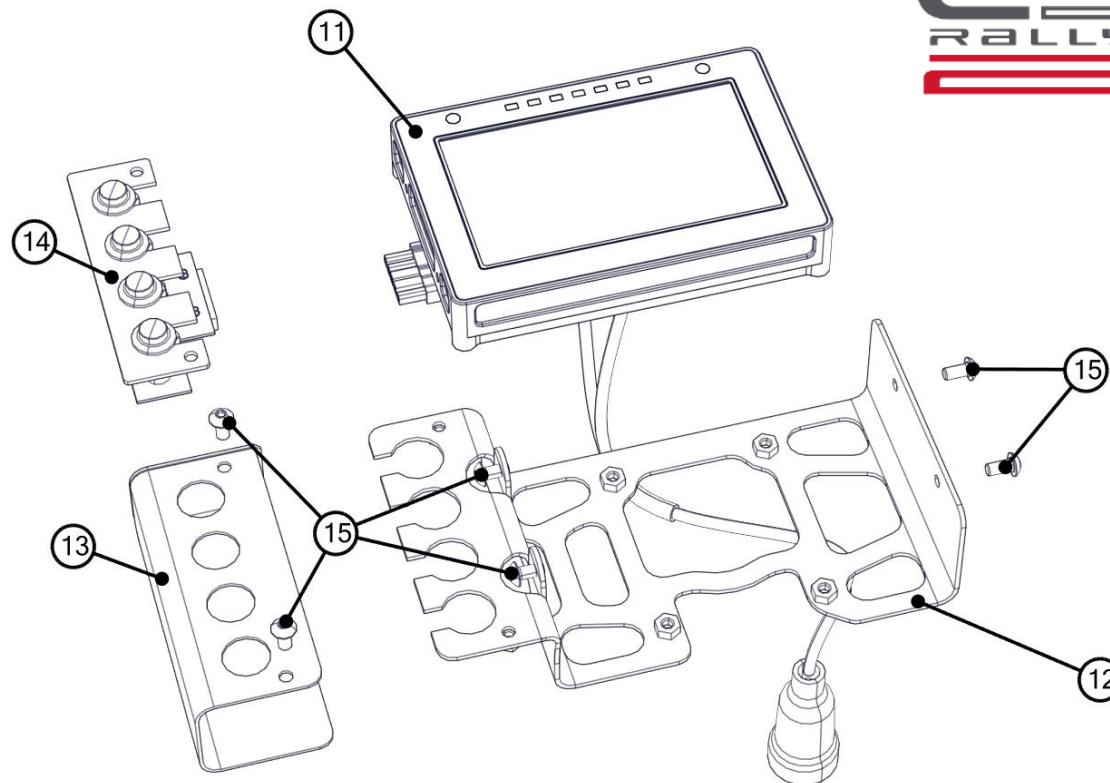
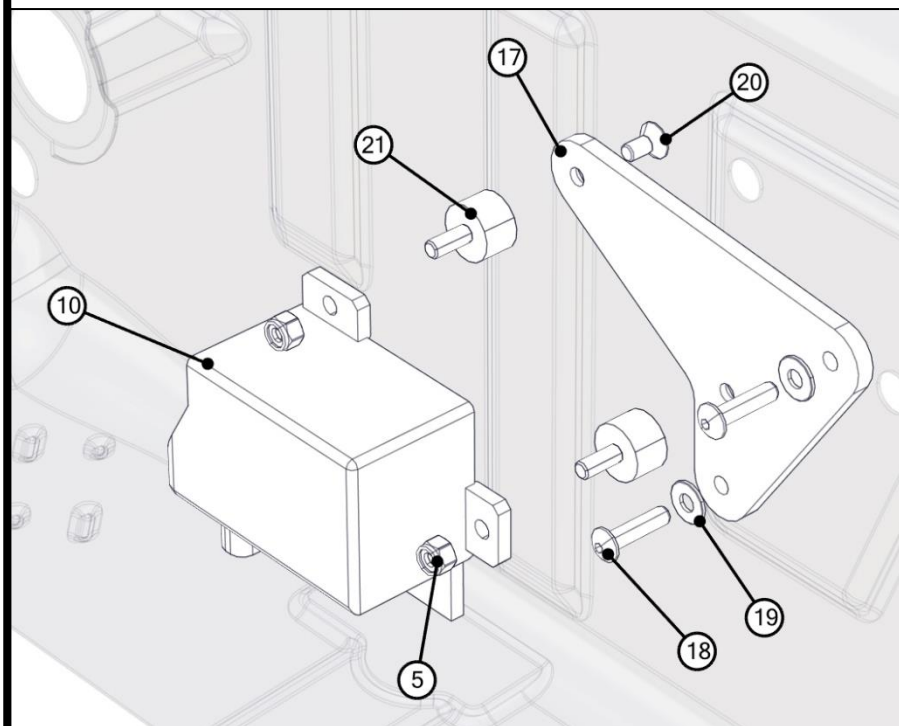
S1C-S3A
CONSOLE / DASHBOARD
CENTRAL PANEL / DASHBOARD







REP	REFERENCE	QTE	DESIGNATION
1	3S1C21719B	1	Dashboard <i>Dashboard</i>
2	PS82627A10	4	Vis BHC M4 L8 <i>Screw BHC M4 L8</i>
3	904610168D	1	Boîtier console assemblé <i>Central Panel</i>
4	CS070015ST	5	Silent bloc MM M5 <i>Silent bloc MM M5</i>
5	CS250040ST	5	Ecrou NYLSTOP M5 <i>Nylstop nut M5</i>
6	AB0500	1	Intercom Stilo DG-10 <i>Intercom Stilo DG-10</i>
7	904459978E	1	POWERBOX <i>Power Box</i>
8	PS82639A10	4	Vis M6x100 L16 <i>Screw M6x100 L16</i>
9	PS86506A10	5	Rondelle onduflex D5 type B <i>Ond washer D5 type B</i>

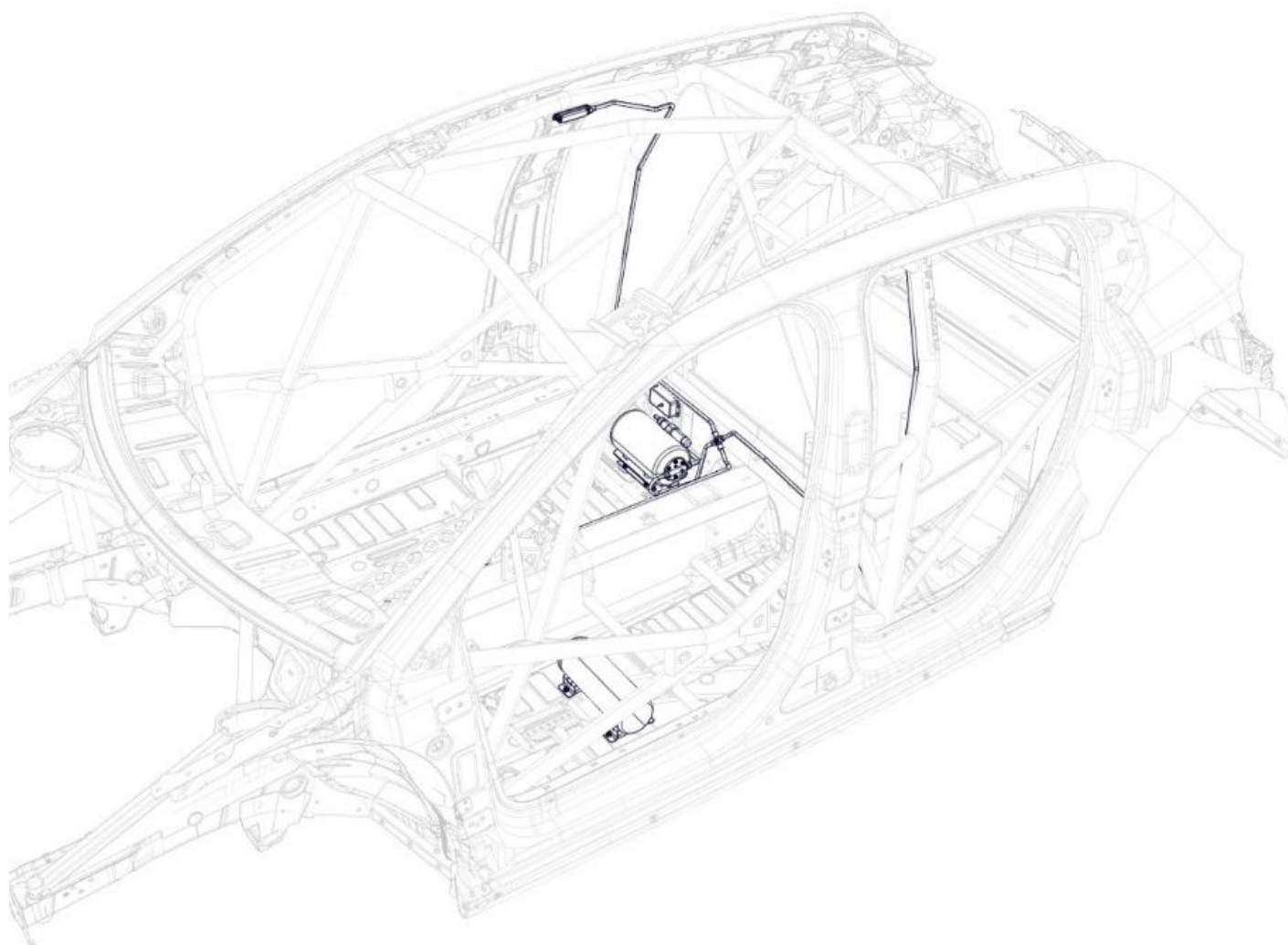


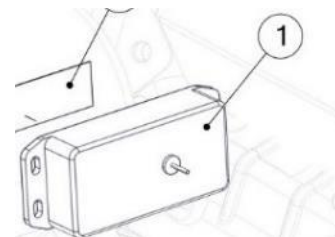
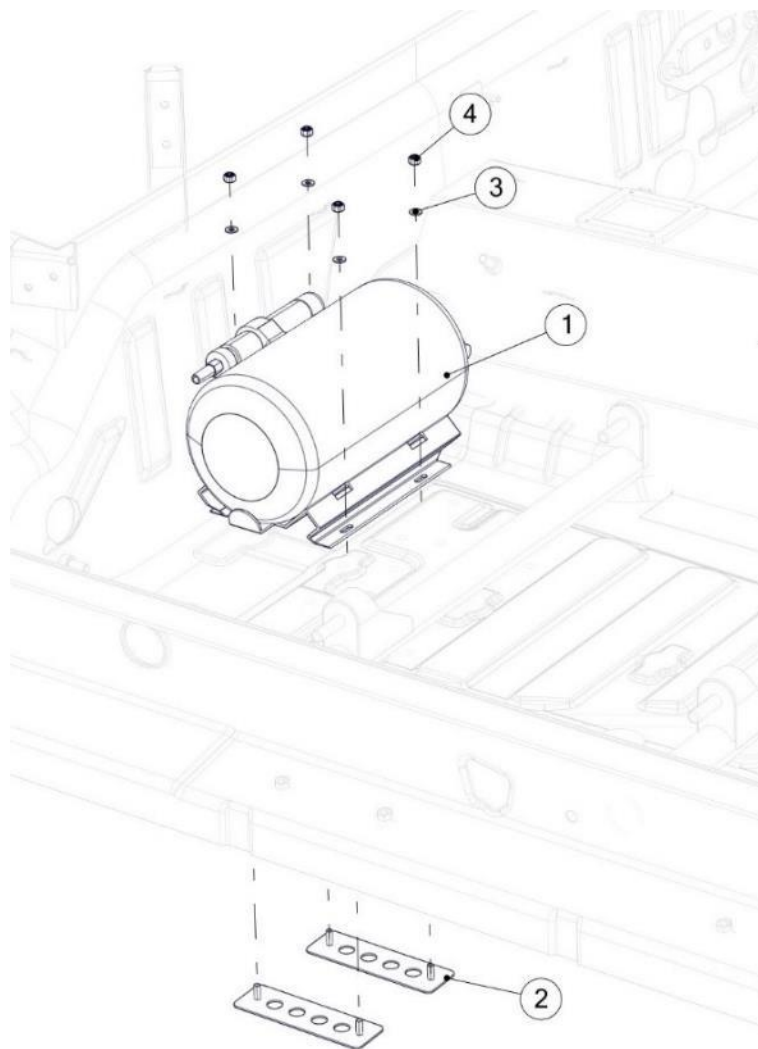
REP	REFERENCE	QTE	DESINATION
10	658830	1	Relai Coupe-Circuit <i>Master Relay</i>
11	904898448D	1	Dashboard Tremondi GDU172 cablé <i>Wired dashboard Tremondi GDU 172</i>
12	904851978C	1	Support GDU 172 <i>GDU 172 bracket</i>
13	904862168D	1	Cache bouton <i>Button cover</i>
14	904877668C	1	Carte électronique GDU172 assemblée <i>GDU172 assembled electronic card</i>
15	ST05700056	6	Vis BHC M4x8 <i>BHC screw M4x8</i>
16	ST05700051	4	Vis BHC M4x6 <i>BHC screw M4x6</i>
17	904961198A	1	Adaptateur relai coupe circuit <i>Main relay adapter</i>
18	ST05700050	2	Vis BHC M5x20 <i>BHC screw M5x20</i>
19	694623	2	Rondelle 5,2x12x1 <i>Washer 5,2x12x1</i>
20	PS82699A10	2	Vis FHC M5x10 <i>FHC screw M5x10</i>
21	CS070013ST	2	Silent bloc M/F M5 <i>Silent bloc M/F M5</i>



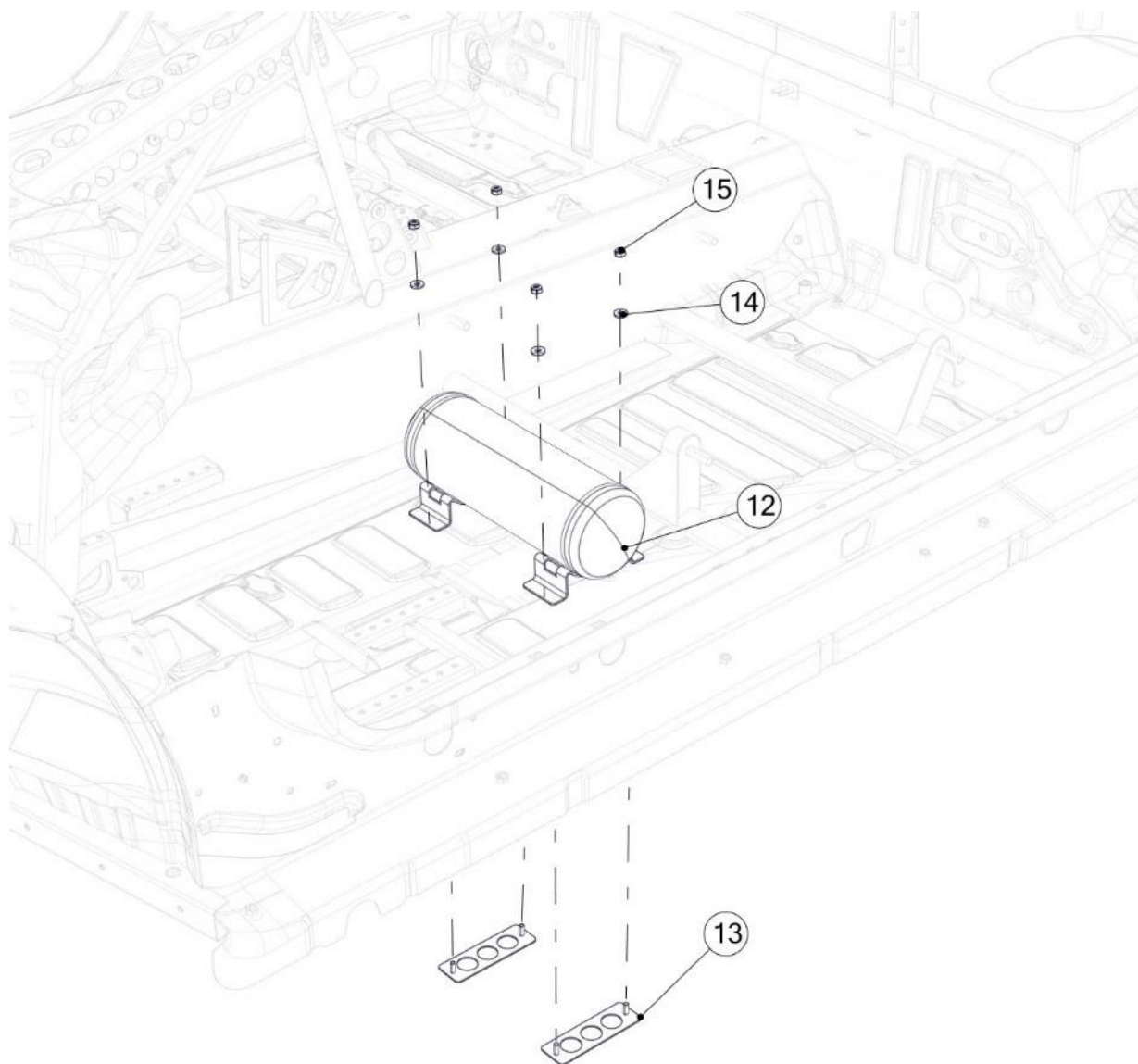
T3C EXTINCTEUR *EXTINGUISHER*







REP	REFERENCE	QTE	DESIGNATION
EXTINTEUR AUTOMATIQUE / Automactic extinguisher			
1	904676098A	1	KIT EXTINCTEUR Lifeline Zero 275 Alu <i>Lifeline Zero 275 Alu kit</i>
2	904676948A	2	PLAQUE FIXATION EXTINCTEUR Lifeline <i>Extinguisher counter plate for lifeline</i>
3	CS440018ST	4	RONDELLE D6x14x2 <i>Washer D6x14x2</i>
4	CS250041ST	4	ECROU FREIN M6x100 <i>LOCKNUT M6x100</i>
	904677518A	3	SUPPORT BUSE <i>Nozzle bracket</i>
	904459498A	11	COLLIER A BILLE INOX <i>Stainless collar</i>



REP	REFERENCE	QTE	DESIGNATION
EXTINCTEUR MANUEL / Manuel extinguisher			
12	904661168A	1	EXTINCTEUR MANUEL SPARCO <i>Manual extinguisher SPARCO</i>
13	904222378A	2	CONTRE PLAQUE FIXATION EXTINCTEUR MANUEL <i>Manual extinguisher counter plate</i>
14	CS440018ST	4	RONDELLE ALU D6 <i>Washer D6x14x2</i>
15	CS250041ST	4	ECROU NYLSTOP M6 <i>Locknut M6x100</i>

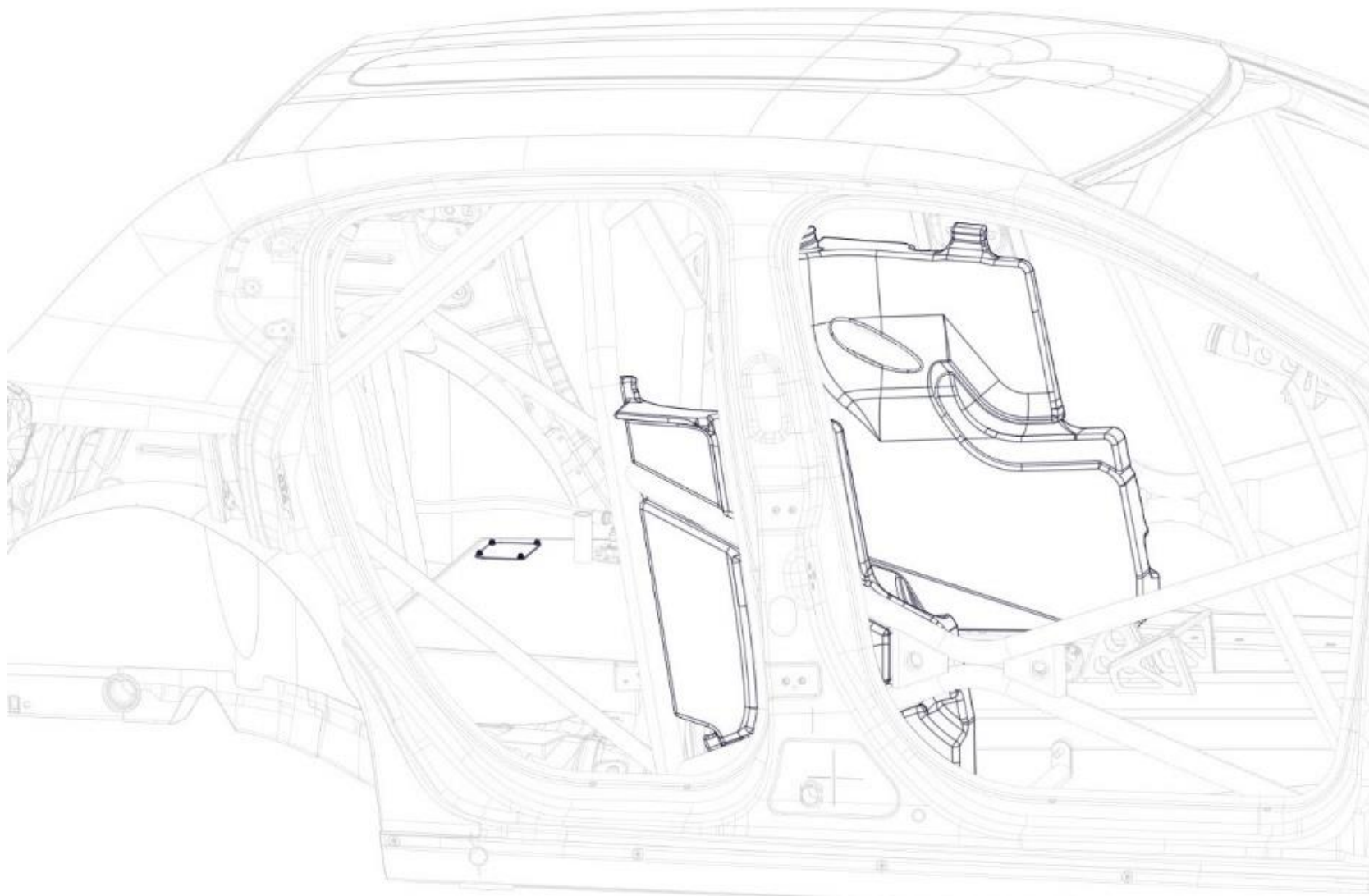


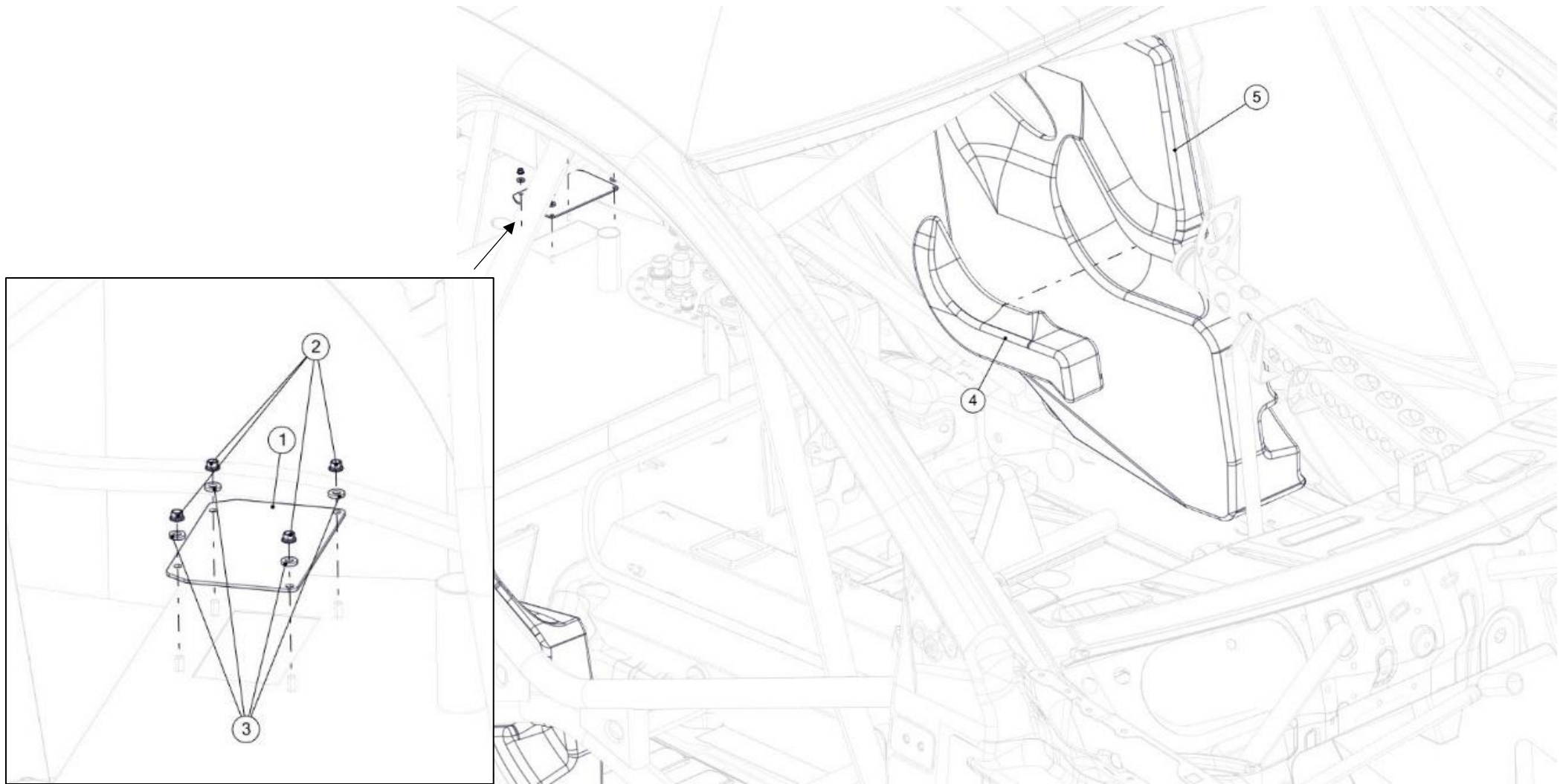
T3L

PROTECTION INTERIEURE

COCKPIT PROTECTION





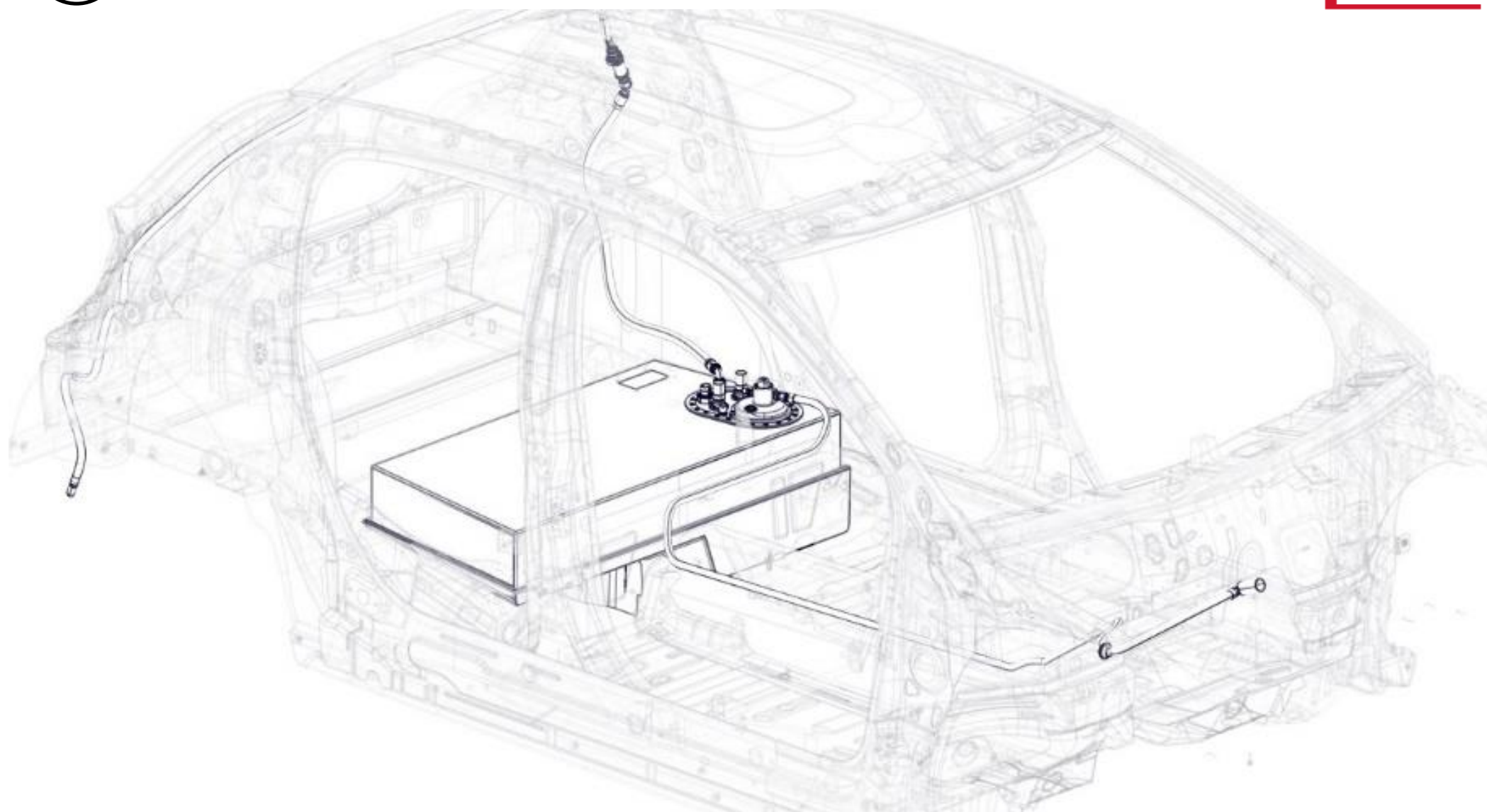


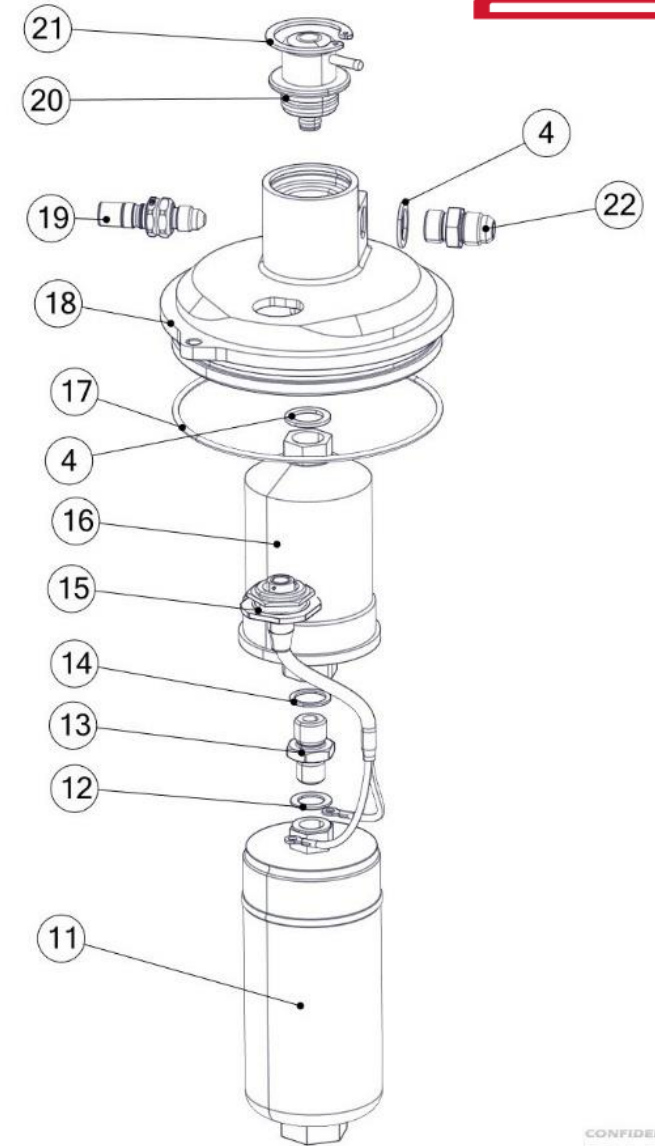
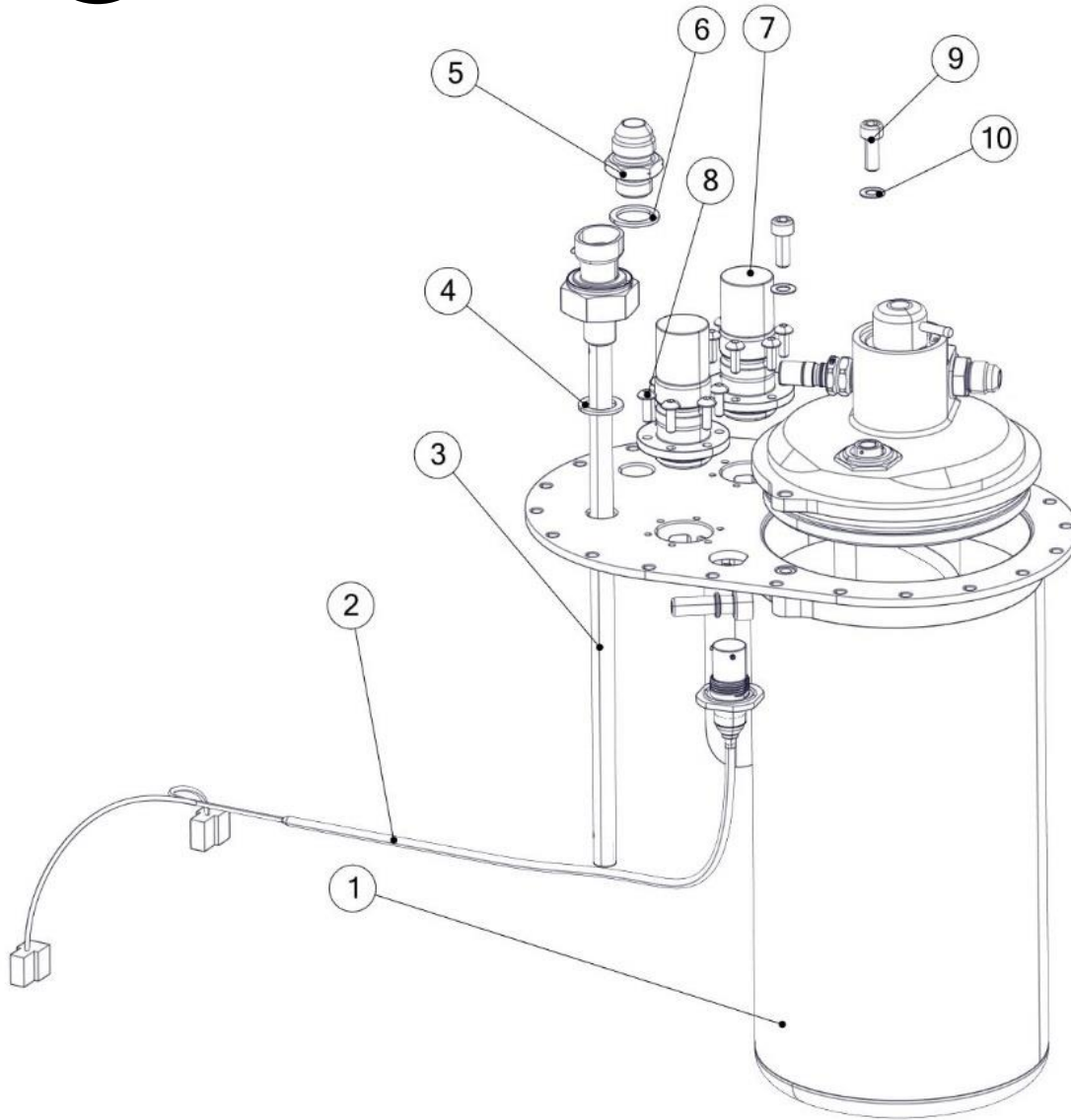
REP	REFERENCE	QTE	DESIGNATION
1	3T3L26906B	1	Fenêtre plancher AR <i>Rear floor Window</i>
2	6947-81	4	Rondelles 5x10 ep 1.8 <i>Washer 5x10 t 1.8</i>
3	PS74009A01	4	Ecrou à embase M5 <i>Flange nut M5</i>
4	904604918A	1	Patch Va mousse gauche <i>Left Va foam patch</i>
5	904604908A	1	Mousse Va gauche <i>Left Va foam</i>
6	904604898A	1	Mousse Va droite <i>Right Va foam</i>



T4A RESERVOIR D'ESSENCE *FUEL TANK*





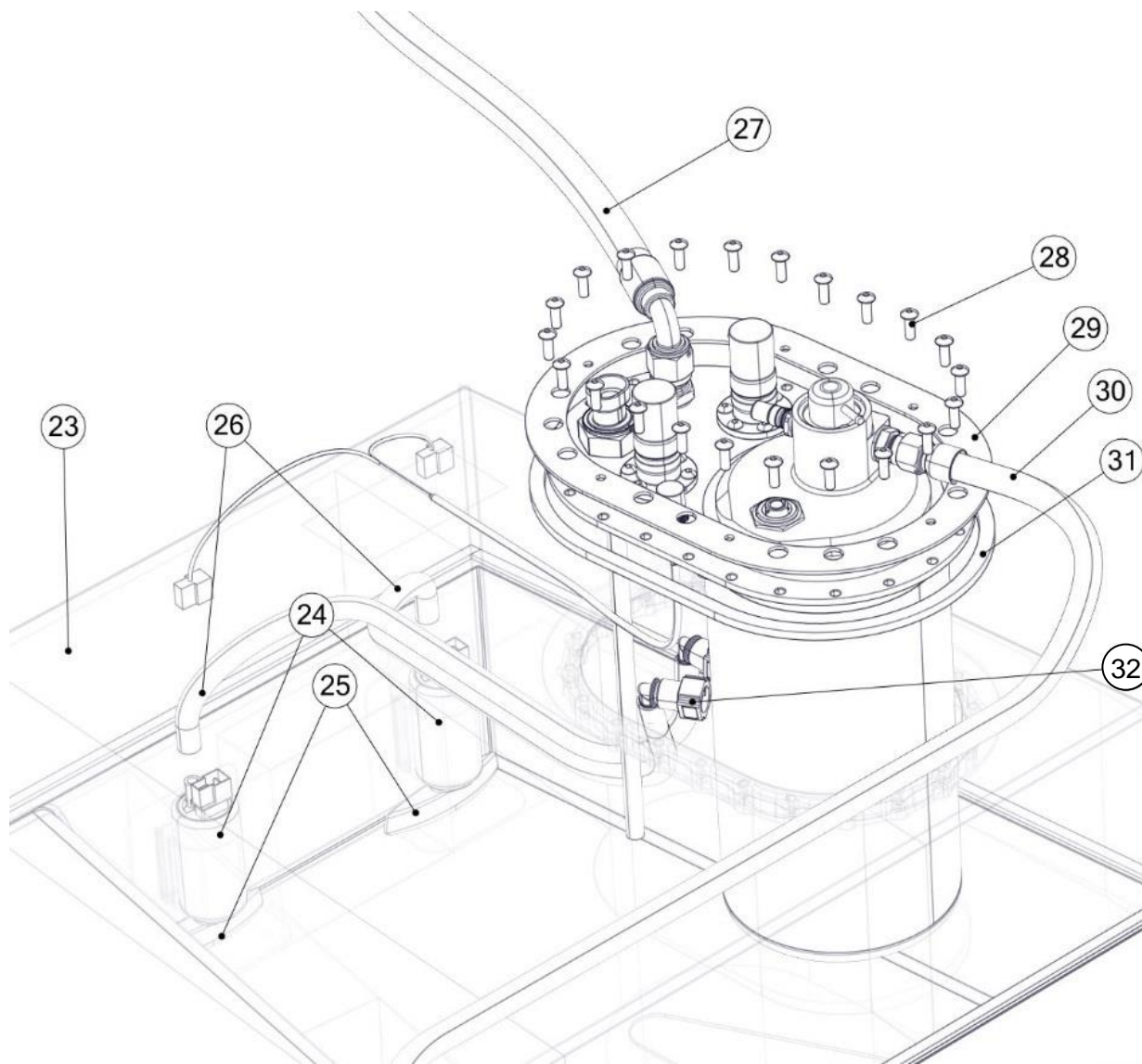


REP	REFERENCE	QTE	DESIGNATION
1	904470438C	1	BOITE TAMPON <i>Catch Tank</i>
2	904492548D	1	FAISCEAU POMPE DE GAVAGE <i>Lift pumps loom</i>
3	904477528A	1	JAUGE T/LL174/22 265mm <i>Fuel gauge T/LL174/22 265mm</i>
4	PS81052A10	2	JOINT CUIVRE 14X20X1.5 <i>Copper seal 14X20X1.5</i>
5	CS410011ST	1	RACCORD M/M DASH8 ALU <i>Adaptator M/M Dash8 Alu</i>
6	0313-38	1	JOINT Ø16X22X2 <i>Seal Ø16X22X2</i>
7*	PS73368A10	2	ABOUT DE RACCORDEMENT SPT12 <i>Coupling SPT12</i>
8	PS82653A10	12	VIS ULS 4X12 <i>M4 ULS SCREW</i>
9	PS82156A10	2	VIS CHC M6X16 CL12.9 <i>Screw CHC M6X16 CL12.9</i>
10	PS86004A10	2	RONDELLE ONDULEE 6 TYPE <i>Washer Ond 6 TYPE A</i>
11	PS02508A10	1	POMPE BP ESSENCE <i>Low pressure fuel pump</i>
12	PS81562A10	1	JOINT CUIVRE D12.2X18X1 <i>Copper seal Ø12.2X18X1</i>
12'	PS81032A10	1	JOINT CUIVRE D10.2x16x1.5 <i>Copper seal Ø10.2X16.1.5</i>

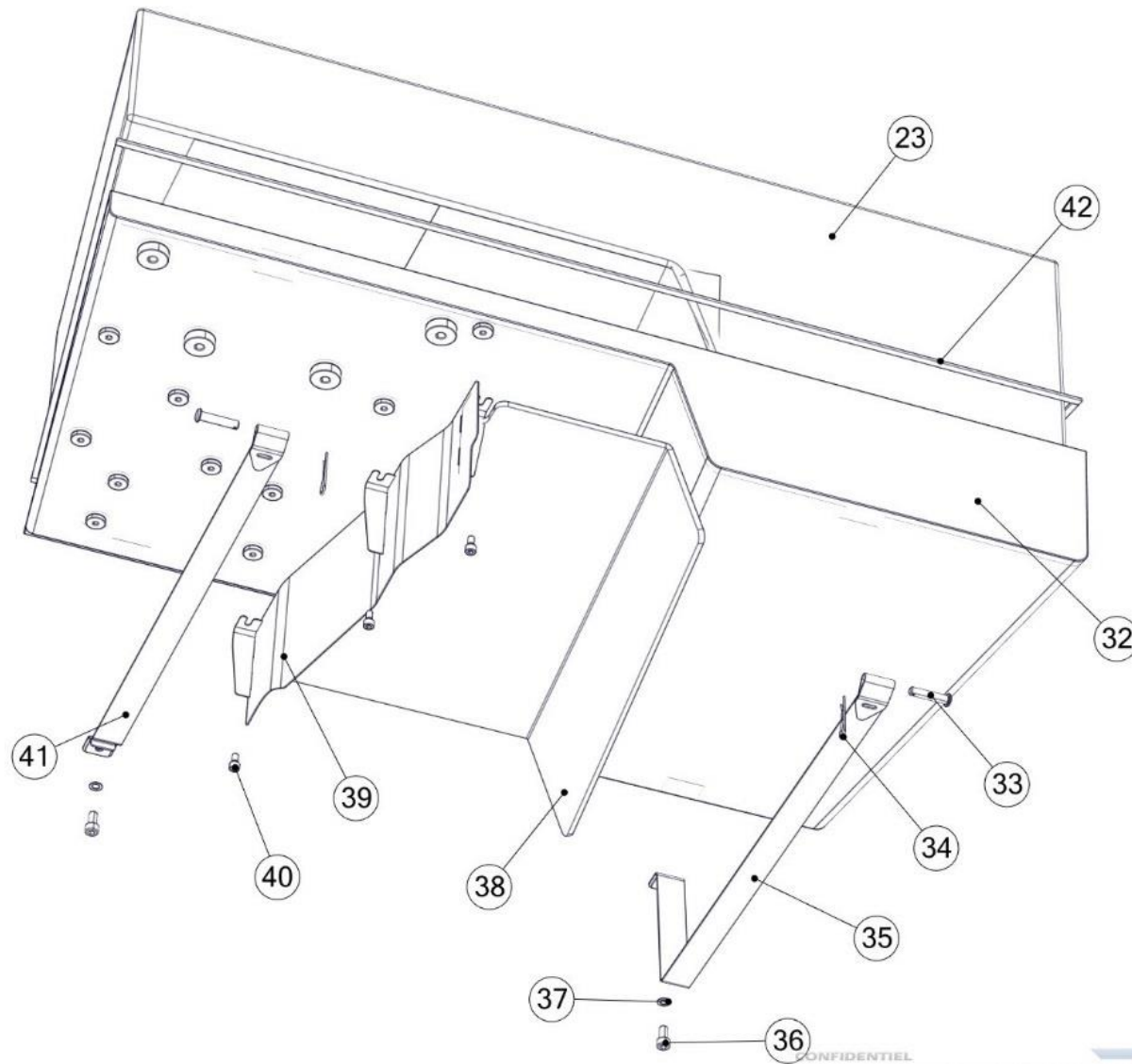
REP	REFERENCE	QTE	DESIGNATION
13	3T4A60884A	1	RACCORD M/M M14X150/M12x150 repris d7 <i>Adaptator M/M M14X150/M12X150 MACHINED D7</i>
13'	ST04100231	1	Raccord M/M M10x150/M14x150 <i>Adaptator M/M M10X150/M14X150</i>
14	PS81563A10	1	JOINT CUIVRE 14x18x1 <i>Copper seal 14 x18x1</i>
15	3Z9S24806A	1	FAISCEAU POMPE IMMERGEE <i>Low pressure pump loom</i>
15'	904248068B	1	FAISCEAU POMPE IMMERGEE <i>Low pressure pump loom</i>
16	3T4A27604A	1	FILTRE ESSENCE (basse pression) <i>Fuel filtre (low pressure)</i>
17	904482418A	1	JOINT TORIQUE BOITE TAMPON <i>Catch tank Oring</i>
18	904471538A	1	COUVERCLE BOITE TAMPON <i>Catch tank cap</i>
19	PS73274A10	1	ABOUT SPT05 JKV DASH4 <i>Coupling SPT05 JKV DASH4</i>
20	3T4A21496A	1	REGULATEUR DE PRESSION <i>Fuel pressure regulator</i>
21	PS72582A10	1	ANNEAU D'ARRET AI36 <i>AI26 clips</i>
22	PS73554A10	1	RACCORD DASH6/M14X150 M/M CONVEX <i>Adaptator DASH6/M14X150 M/M CONVEX</i>
	ST02500009	1	Ecrou frein M4 <i>Nylstop M4</i>

Toutes les références en vert sont pour la variante de fourniture de pompe à essence BP
All references in green are for the new spec of LP fuel pump

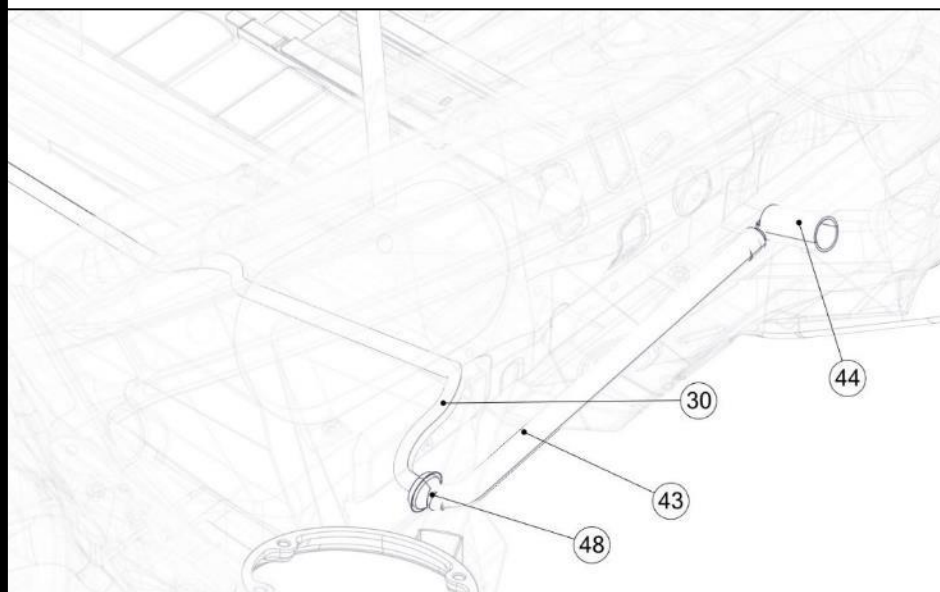
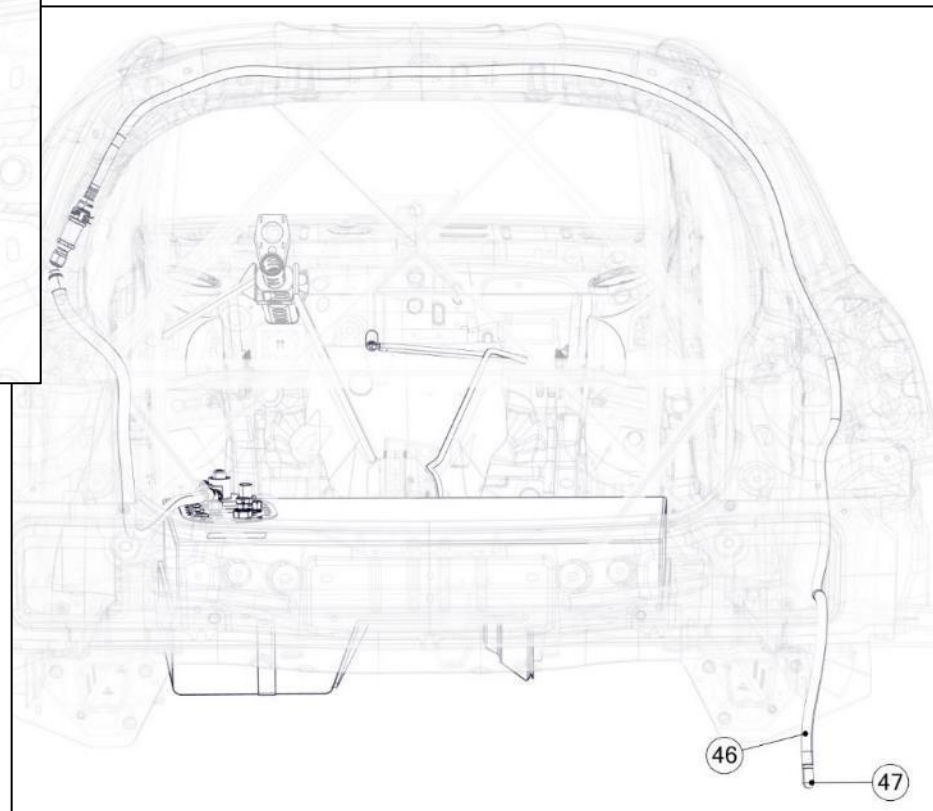
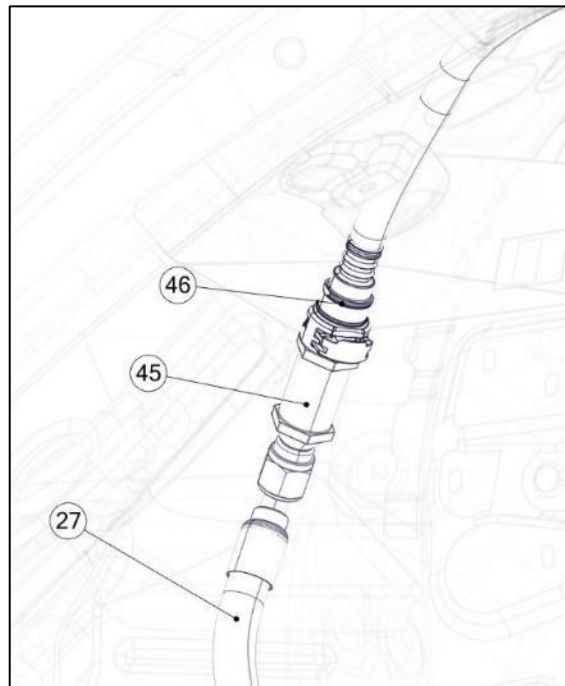
* = ST04100244 en cas d'utilisation avec essence PIWRC / in case of PIWRC fuel use



REP	REFERENCE	QTE	DESIGNATION
23	904470468D	1	OUTRE ESSENCE <i>Fuel Cell</i>
24	3T4A40572A	2	POMPE DE GAVAGE <i>Lift pump</i>
25	PS05502A10	2	FILTRE POMPE DE GAVAGE <i>Lift pump filter</i>
26	PS69792A10	1	TUBE FLEX CONVOLUT DEXT 10.6 1M <i>FLEXIBLE PIPE 1M</i>
27	904492988C	1	TUYAU DEGAZAGE <i>Degasing pipe</i>
28	PS85116A10	22	VIS ULS M5X15 CL.12.9 4N.m <i>Screw ULS M5X15 CL.12.9 4N.m</i>
29	904470458B	1	BRIDE ETANCHEITE <i>Flange</i>
30	3T4A24270A	1	TUYAU ESSENCE BT /MOTEUR <i>Engine supply Fuel pipe</i>
31	904472628A	1	MOUSSE BRIDE ETANCHE <i>Foam seal</i>
32	PS73419A10	2	COUPLEUR <i>Coupling</i>



REP	REFERENCE	QTE	DESIGNATION
23	904470468D		OUTRE ESSENCE <i>Fuel Cell</i>
32	904470938C	1	COFFRE RESERVOIR <i>Fuel cell cover</i>
33	904481988B	2	AXE SANGLE RESERVOIR <i>Fuel tank belt axis</i>
34	PS78025A10	2	GOUPILLE BETA D1.5 <i>Beta pin D1.5</i>
35	904478058A	1	SANGLE RÉSERVOIR G <i>Left fuel tank belt</i>
36	PS82130A01	2	VIS CHC M8X16 CL.12.9 <i>Screw CHC M8X16 CL.12.9</i>
37	PS86570A10	2	RONDELLE SPS Ø8X13-0,8 <i>SPS washer Ø8X13-0,8</i>
38	904478598A	1	PROTEC THER DE COFFRE RESER <i>Fuel tank cover thermal protection</i>
39	904471298C	1	ECRAN THERMIQUE <i>Heat Shield</i>
40	PS82119A10	3	VIS-CHC-M6X12 <i>SCREW M6-12</i>
41	904481428A	1	SANGLE RÉSERVOIR D <i>Right fuel tank belt</i>
42	1606409780	2	MOUSSE RUBAN TH10x10 (L=171mm) <i>Foam seal TH10x10 (lg)171mm</i>



REP	REFERENCE	QTE	DESIGNATION
27	904492988C		TUYAU DEGAZAGE <i>Degasing pipe</i>
30	3T4A24270A		TUYAU ESSENCE BT /MOTEUR <i>Engine supply fuel pipe</i>
43	ST08300008	1	GAINÉ ANTI FEU 3/8" SILVER <i>Fireproof Sleeve 3/8" SILVER</i>
44	ST08300009	1	GAINÉ ANTI FEU 1" SILVER <i>Fireproof Sleeve 1" SILVER</i>
45	3T4A64744A	1	CLAPET ATL MISE A L'AIR LIBRE <i>ATL Valve</i>
46	904496368B	1	TUYAU MISE A L'AIR <i>Breathing pipe</i>
47	3T4A64747A	1	FILTRE LEGRIS DEGAZAGE RESER <i>Breathing filter</i>
48	6987-78	1	PASSE FIL Ø6X33,5-26 <i>Groomet 6X33.5-26</i>

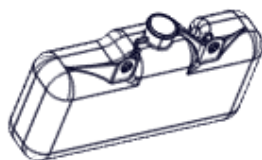
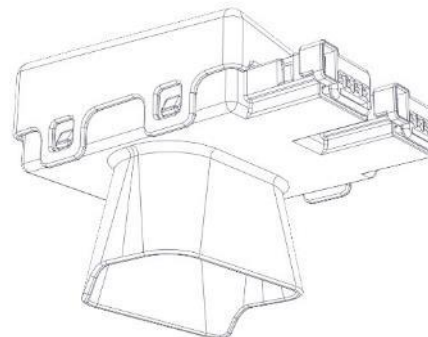
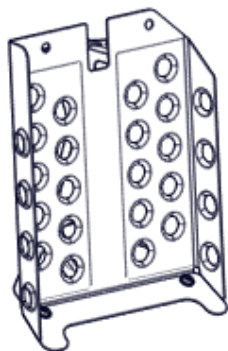


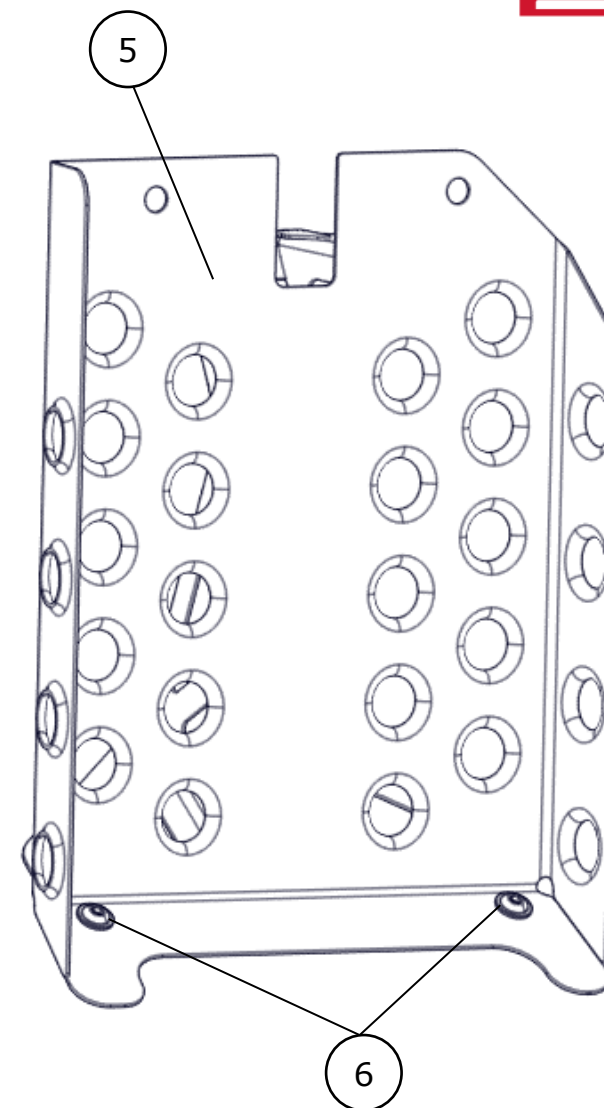
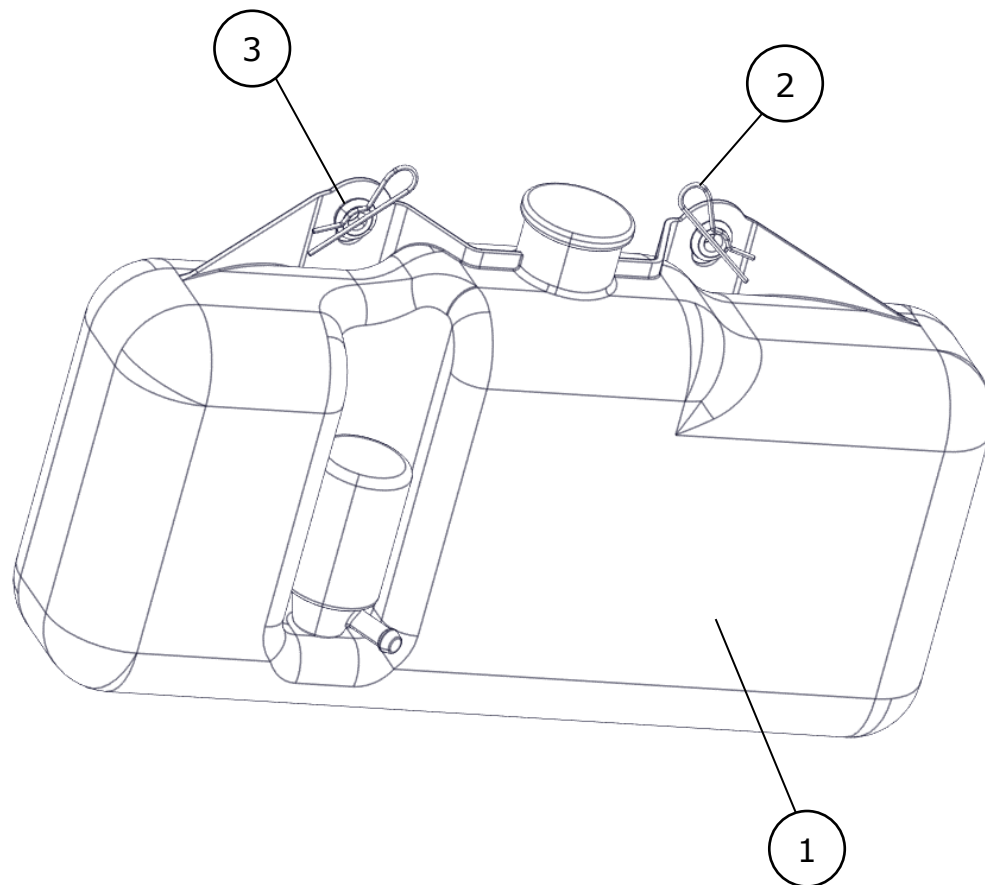
T5B

EQUIPEMENTS INTERIEURS

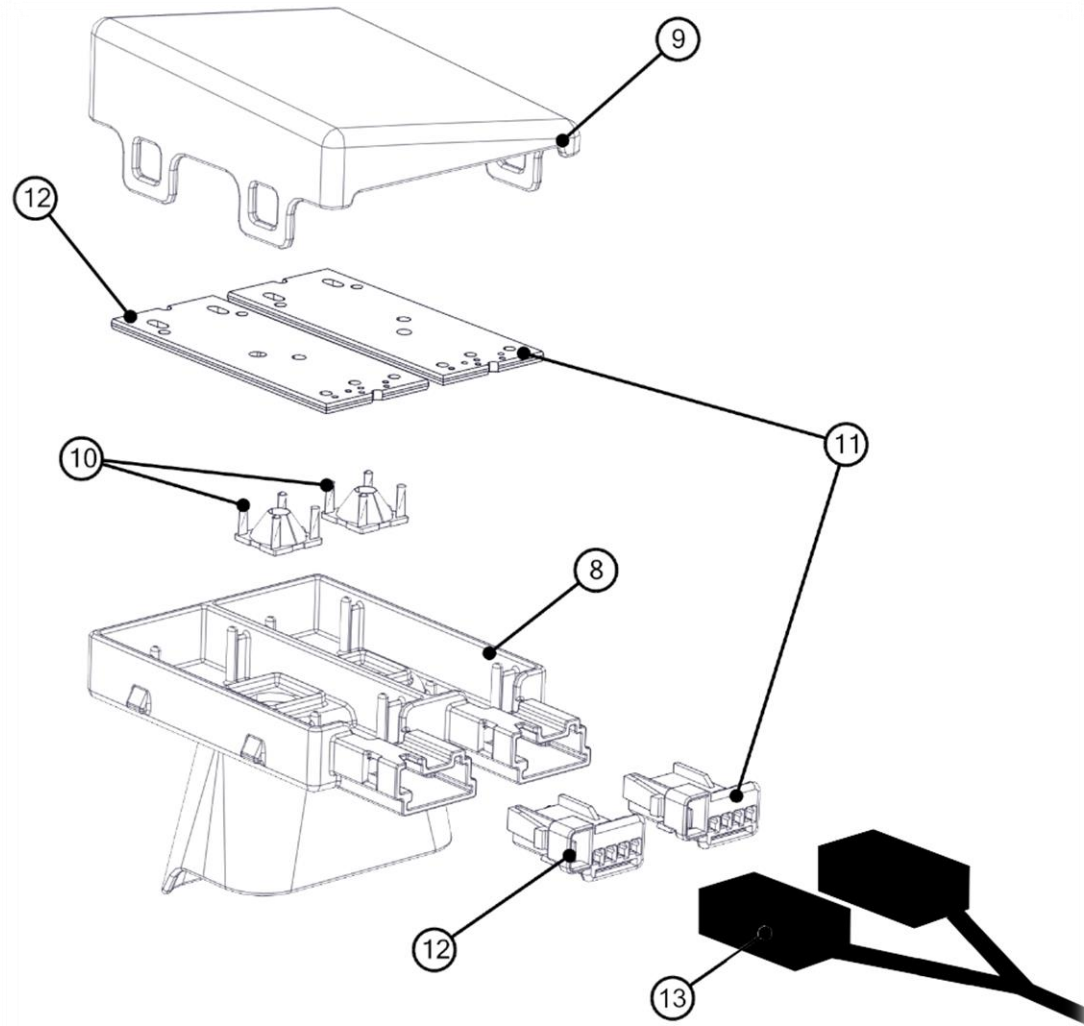
COCKPIT EQUIPMENT







REP	REFERENCE	QTE	DESIGNATION
1	904477068A	1	RESERVOIR LAVE-GLAVE <i>Rear floor Window</i>
2	PS78025A10	2	GOUPILLE BETA D1.5 <i>Beta pin D1.5</i>
3	PS93553A10	4	PASSE GAINÉ 1T 7 D15 CAOUTCHOUC <i>Groomet D15</i>
4	643947	1	TUYAU LAVE VITR 4X8-4300 CL <i>Windscreen washer pipe</i>
5	904472098D	1	REPOSE PIED COPILOTE <i>Codriver footrest</i>
6	PS82641A10	2	VIS BHC EMB M8X125 L12 CL10.9 <i>Screw BHC M8x125 L12</i>
7	1611909980	1	Liquide lave glace 5L <i>Screen washer 5L</i>

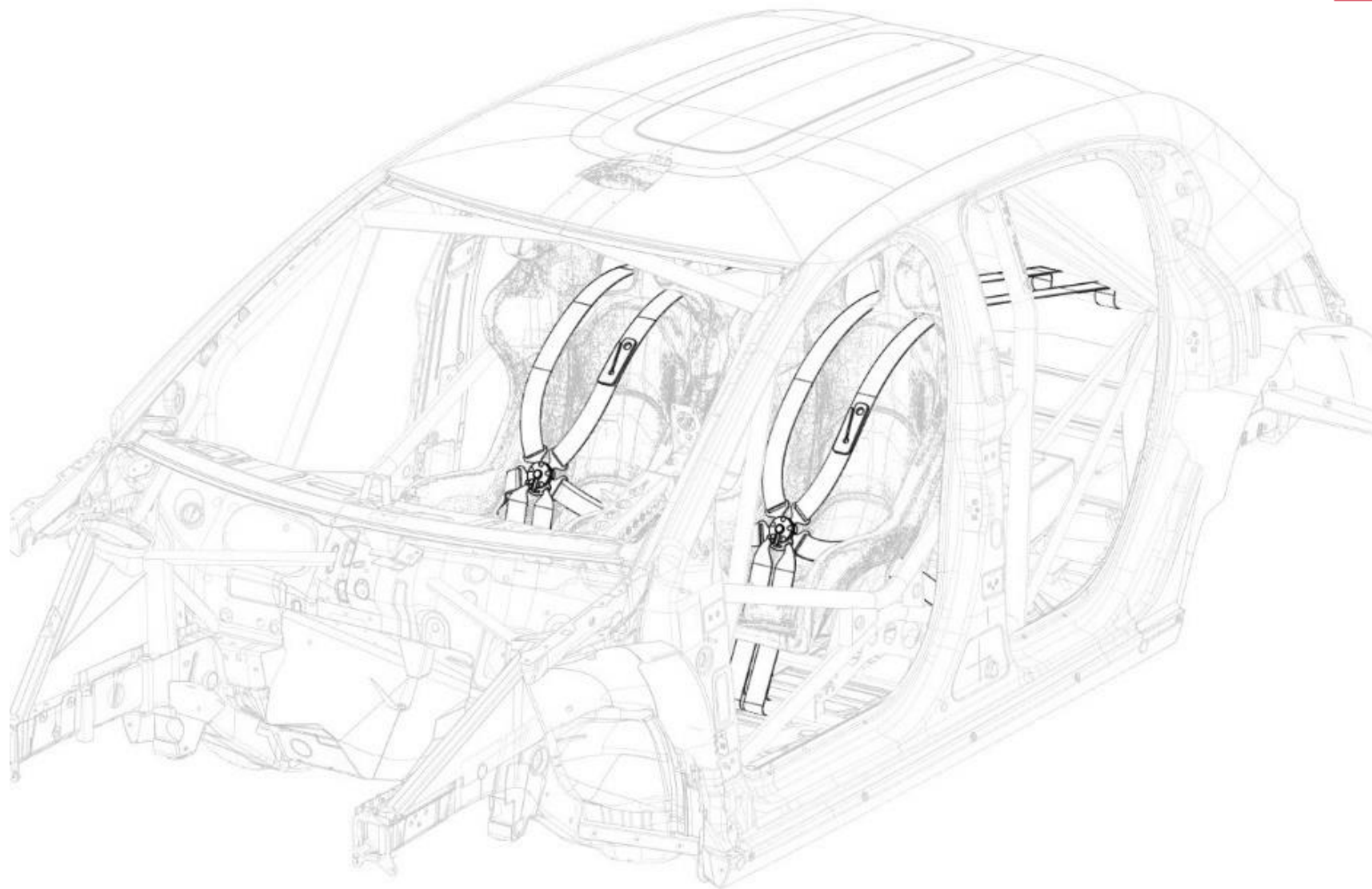


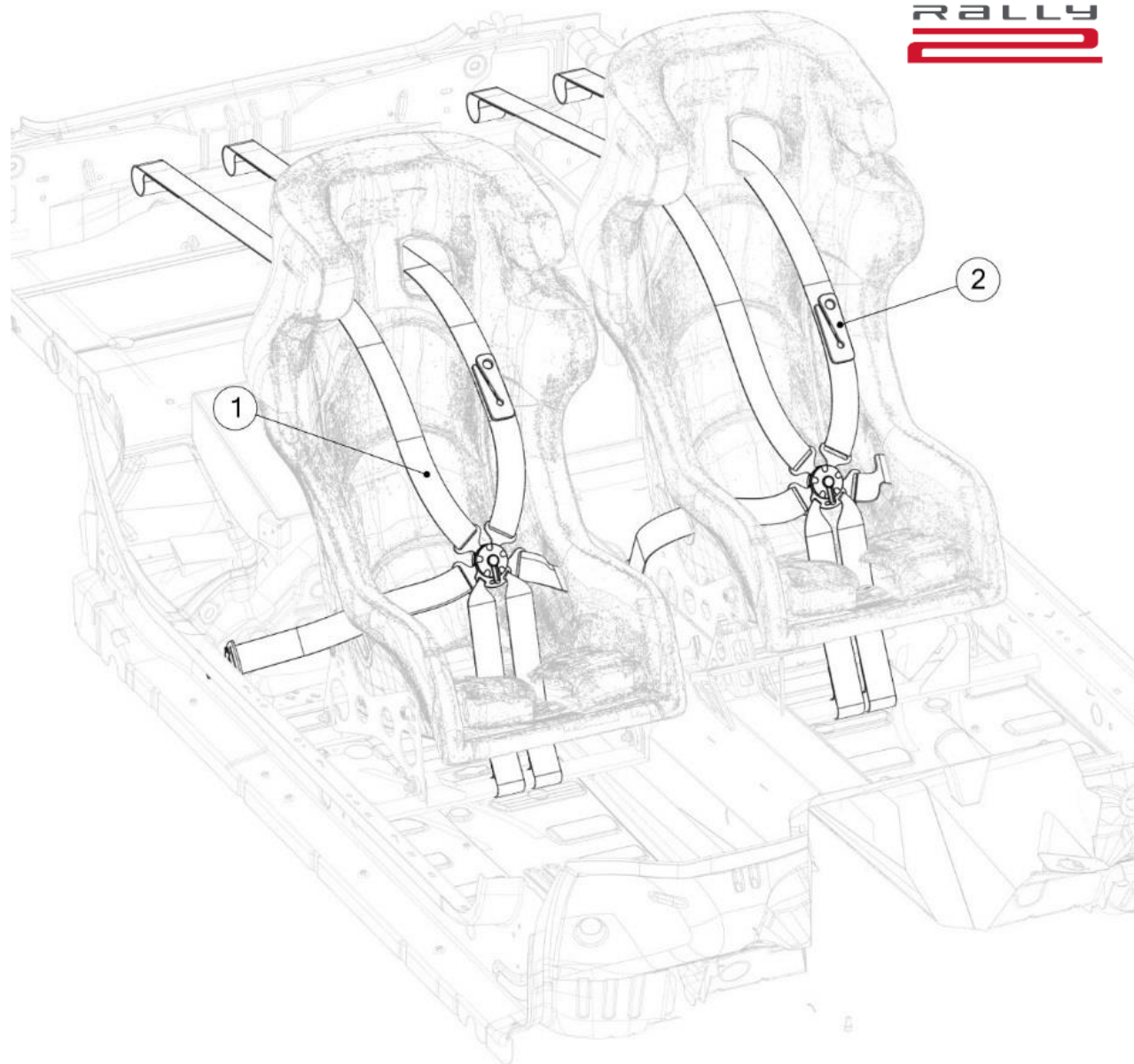
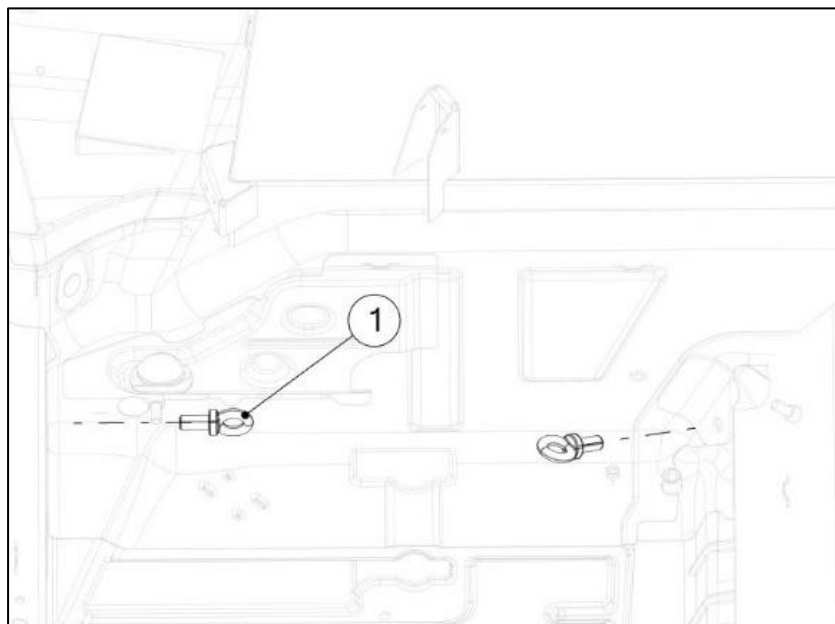
REP	REFERENCE	QTE	DESIGNATION
8	904953028A	1	Boite lampe copilote <i>Codriver map light box</i>
9	904953038A	1	Couvercle lampe copilote <i>Codriver map light cover</i>
10	904963258A	2	Lentille LED 10mm <i>LED 10mm lens</i>
11	98530872XU	1	Eclaireur plafonnier ARD <i>Rear right light</i>
12	98530873XU	1	Eclaireur plafonnier ARG <i>Rear left light</i>
13	904959388A	1	Faisceau lampe copilote <i>Codriver map loom</i>



U1A HARNAIS SAFETY BELT





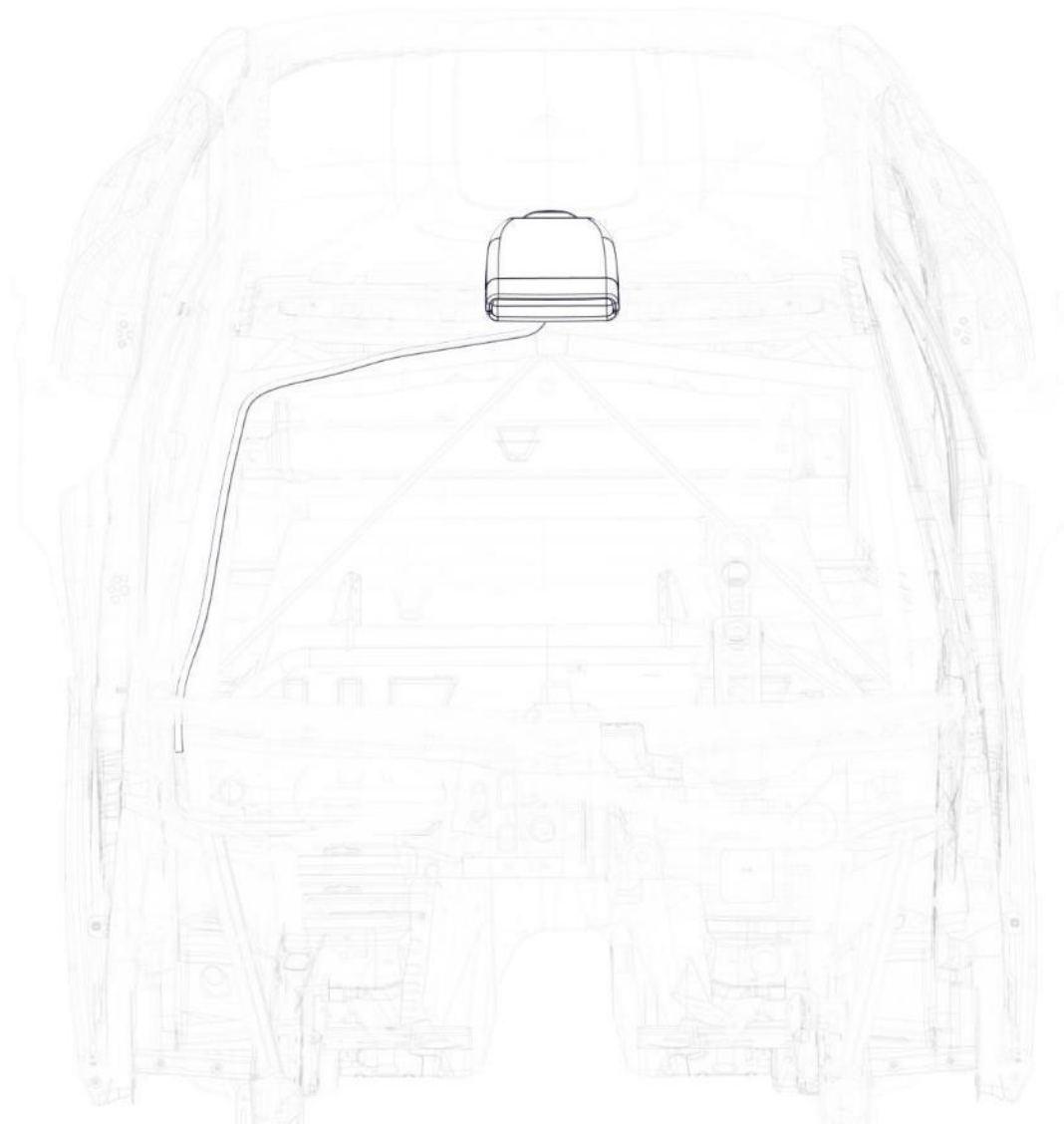


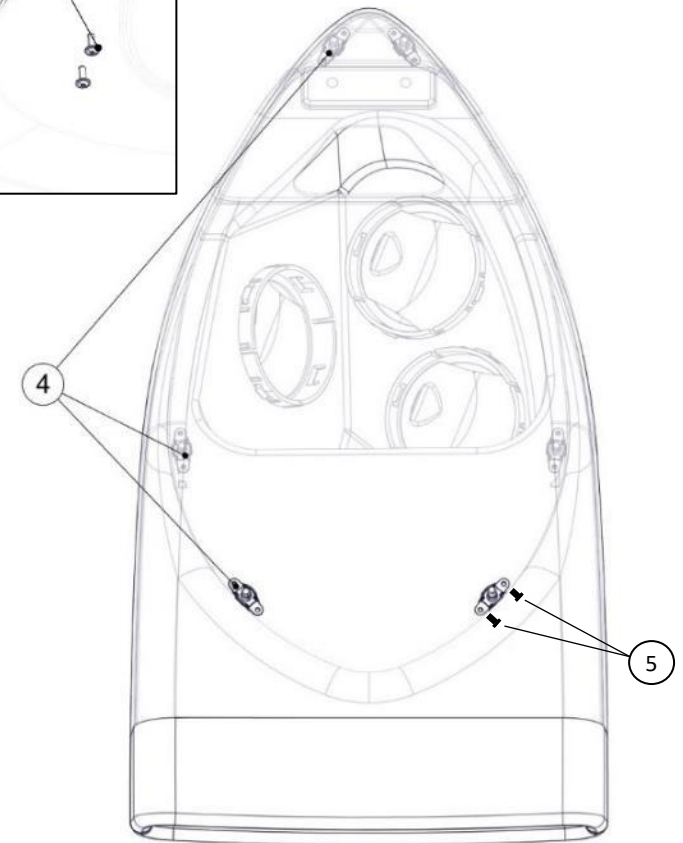
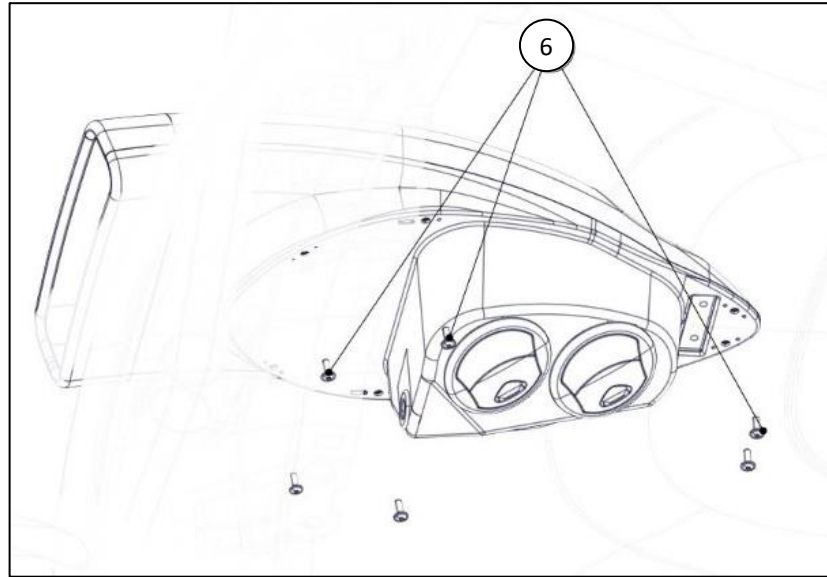
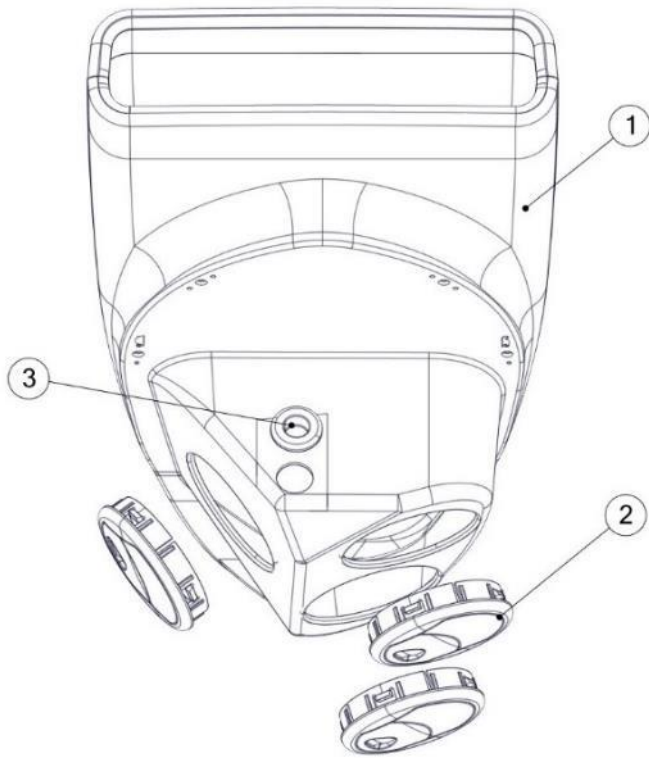
REP	REFERENCE	QTE	DESIGNATION
1	904479148A	2	HARNAIS FIA 8853-2016 6PTS <i>Safety belt FIA 8853-2016 6PTS</i>
2	PS97712A10	2	CUTTER COUPE HARNAIS <i>Belt cutter</i>
3	SPARCO-00313	1	FILET DE CASQUE SPARCO <i>Helmet net sparco</i>
4	904993518A	2	HARNAIS SPARCO 04825HRSSP16 <i>Sparco belt 04825HRSSP16</i>



V1B VENTILATION HABITACLE CAR VENTING







REP	REFERENCE	QTE	DESIGNATION
1	904484698D	1	ENTREE AIR HABITACLE <i>Roof vent</i>
2	3V1B41961A	3	BOUCHE SENSYO <i>Sensyo diffuser</i>
3	7518-57	1	OBTURATEUR D18-9 <i>PLUG D18-9</i>
4	PS74674A10	6	Ecrou prisonnier D4 Simmonds <i>Anchor nut D4 Simmonds</i>
5	PS92502A10	12	RIVET NUT PLATE F2.4 L3.2 A 4.8 <i>RIVET NUT PLATE F2.4 L3.2 A 4.8</i>
6	PS82629A10	6	VIS ULF M4X12 CL10.9 <i>BHC Screw EMB M4X070 L12 CL10</i>
	904612068A	1	TUYAU EVACUATION L1500mm <i>Draining pipe L1500mm</i>
	CS360363ST	3	JOINT TORIQUE <i>O-ring</i>
	PS73419A10	1	Coupleur 90° Ø8 <i>Coupling 90° Ø8</i>

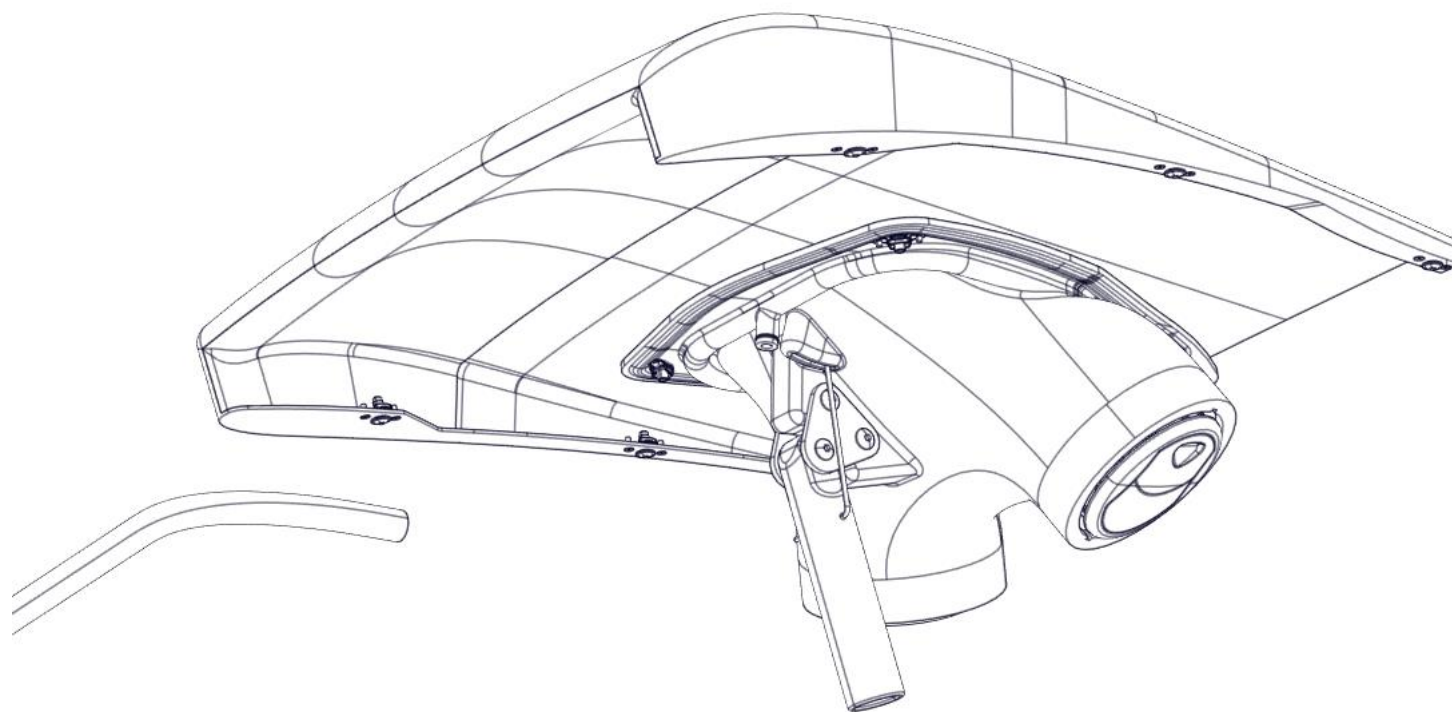


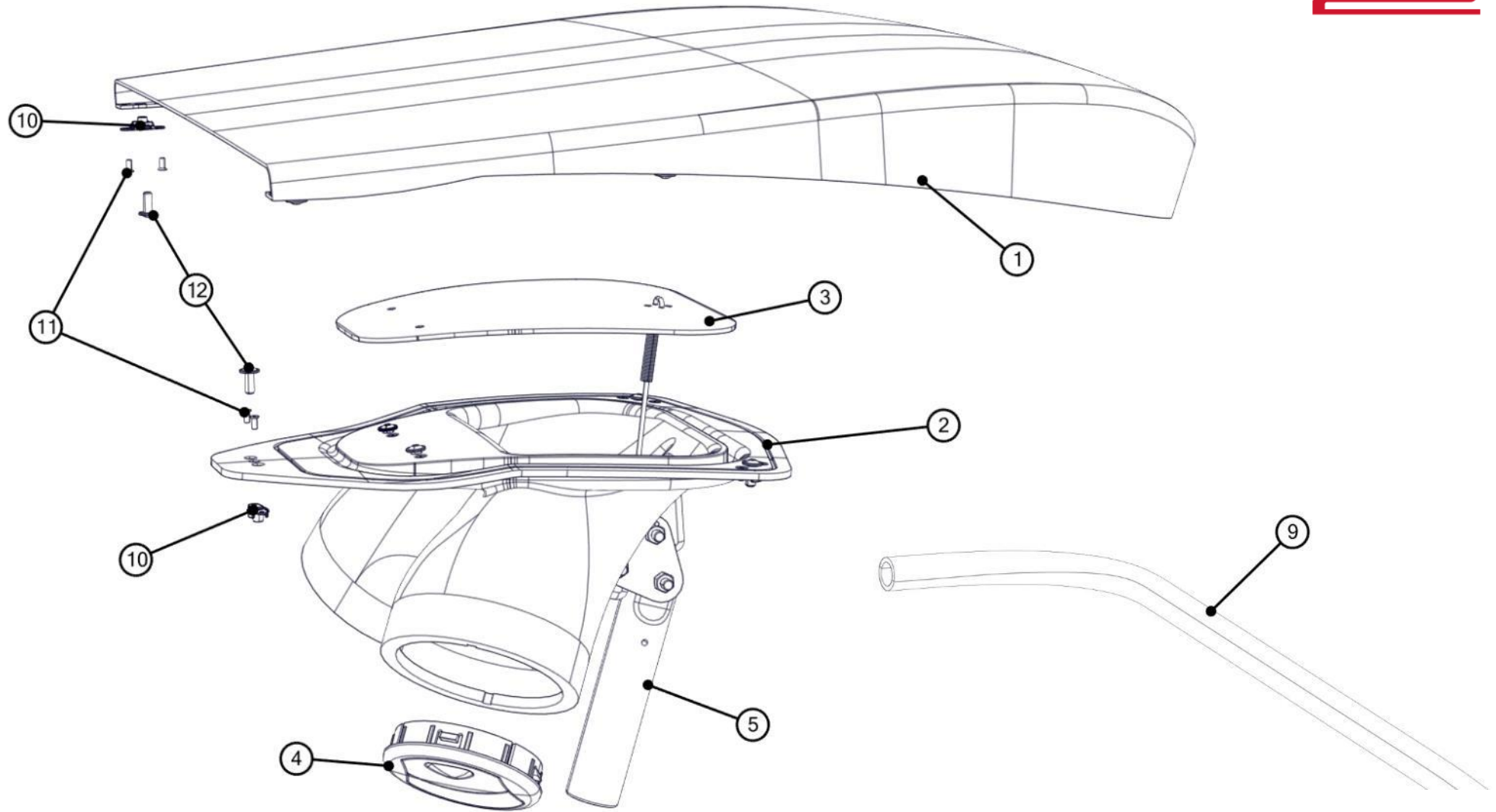
V1B - 2

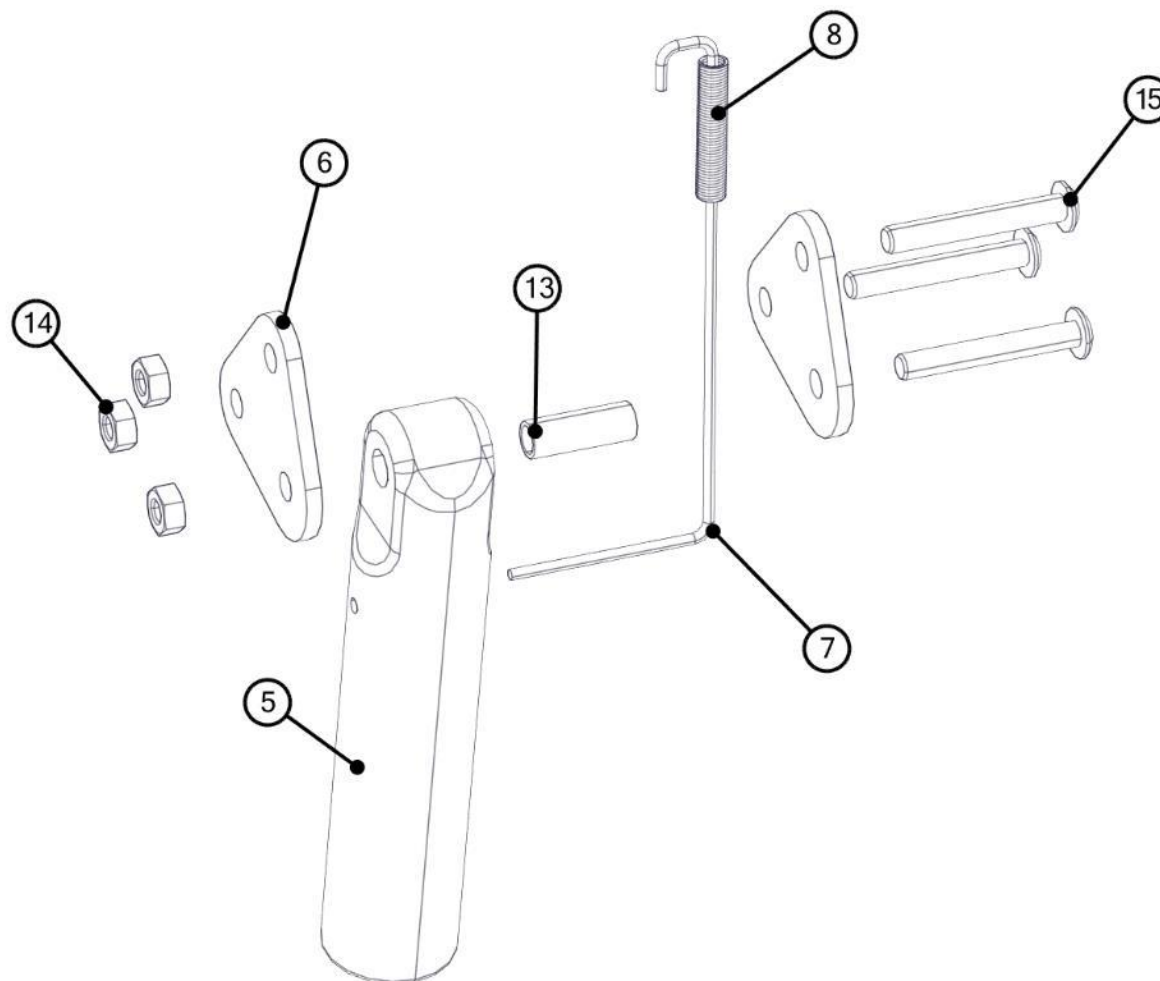
VENTILATION HABITACLE 2024

CAR VENTING 2024







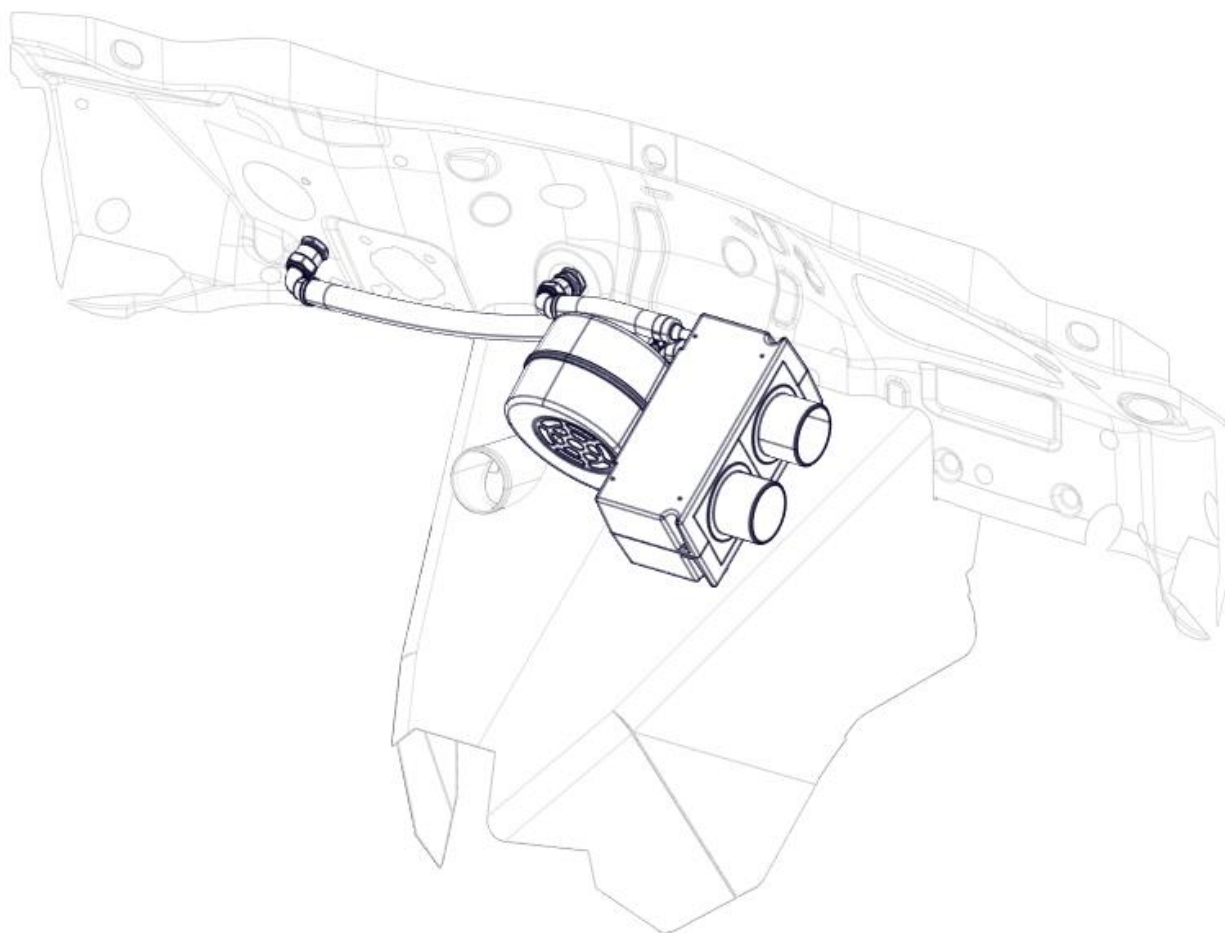


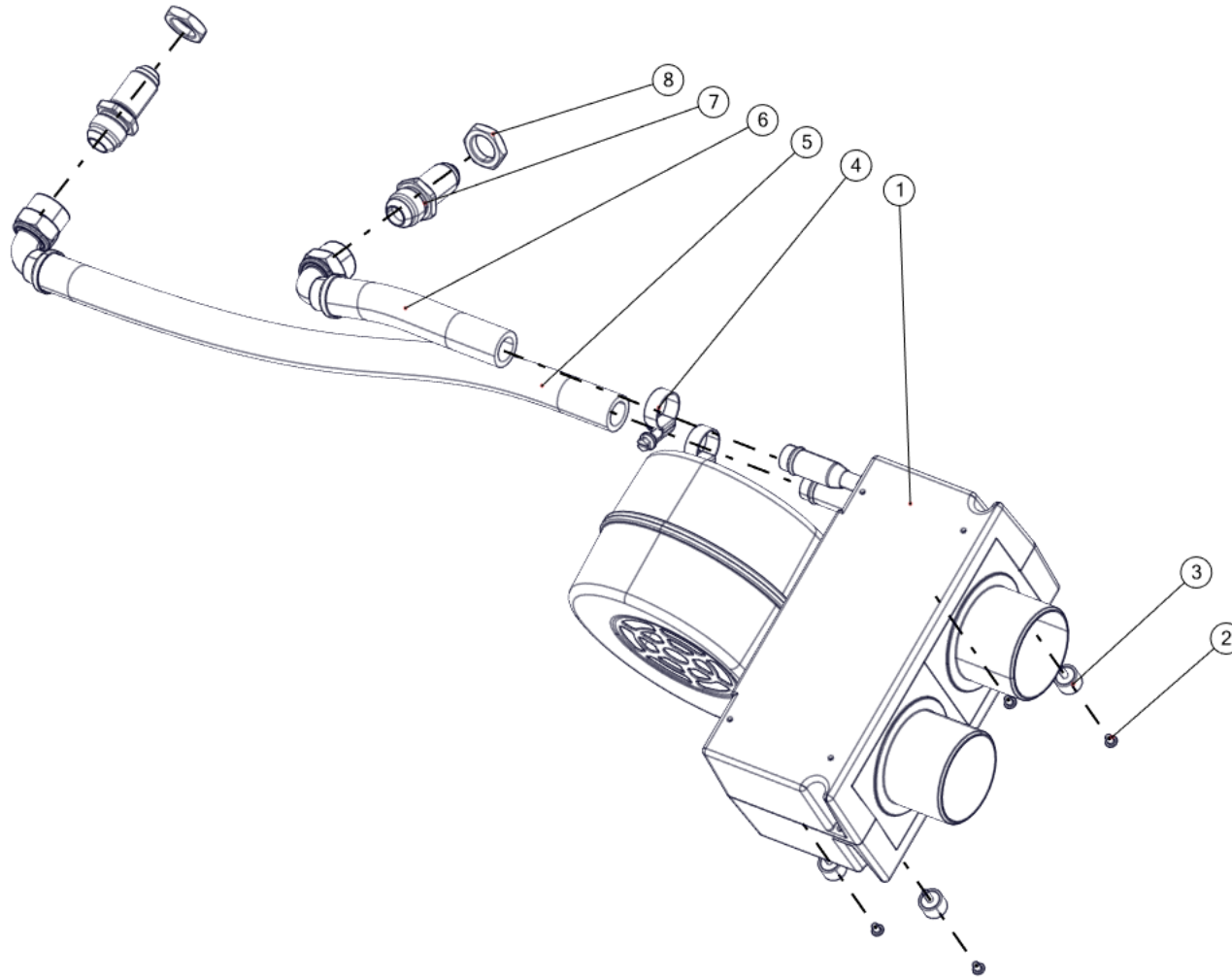
REP	REFERENCE	QTE	DESIGNATION
1	904871418D	1	ENTREE AIR HABITACLE 2024 <i>Intake vent 2024</i>
2	904873028B	1	VENTILATION HABITACLE 2024 <i>Roof vent 2024</i>
3	904876668B	1	TRAPPE FERMETURE VENTILATION <i>Roof vent hatch</i>
4	904485528A	2	BOUCHE VENTILATION <i>Vent diffuser</i>
5	904983048A	1	LEVIER TRAPPE FERMETURE <i>Roof vent hatch lever</i>
6	904952748A	2	SUPPORT LEVIER TRAPPE FERMETURE <i>Roof vent hatch lever</i>
7	904953518A	1	TIGE TRAPPE FERMETURE <i>Roof vent hatch rod</i>
8	ST04200072	1	RESSORT TRAPPE FERMETURE <i>Roof vent hatch spring</i>
9	904612068A	1	TUYAU EVACUATION L1500mm <i>Draining pipe L1500mm</i>
10	PS74674A10	11	Ecrou prisonnier D4 Simmonds <i>Anchor nut D4 Simmonds</i>
11	PS92502A10	22	RIVET NUT PLATE F2.4 L3.2 A 4.8 <i>RIVET NUT PLATE F2.4 L3.2 A 4.8</i>
12	CS570030ST	11	VIS ULF M4X12 CL10.9 <i>BHC Screw EMB M4X070 L12 CL10</i>
13	ST08700013	1	ENTRETOISE CYL 7x5.4x20 INOX <i>Inox cylindrical spacer 7x5.4x20</i>
14	693673	3	ECROU H M5 <i>M5 H nut</i>
15	ST05700094	3	VIS BHC M5x35 <i>BHC Screw M5x35</i>



V2A GROUPE CHAUFFAGE *HEATING DEVICE*





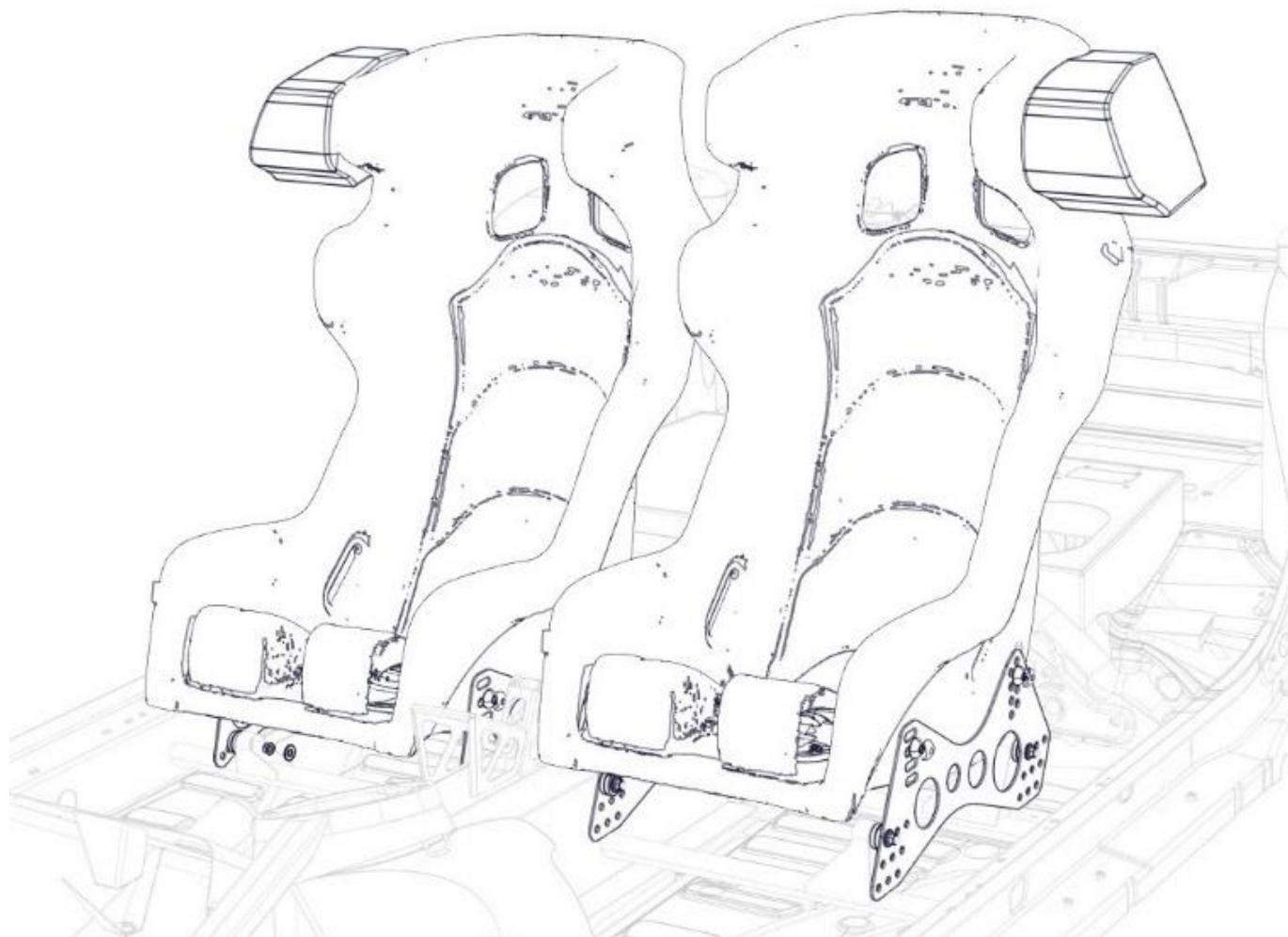


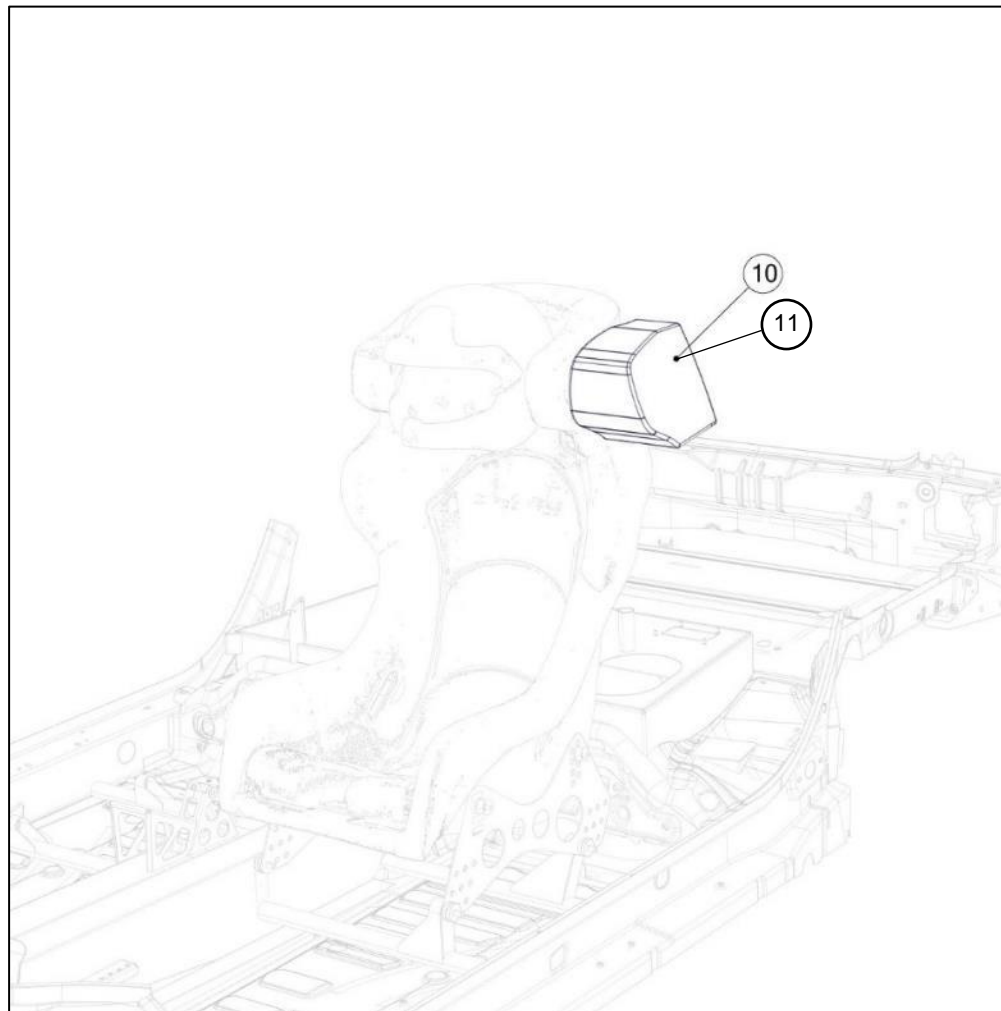
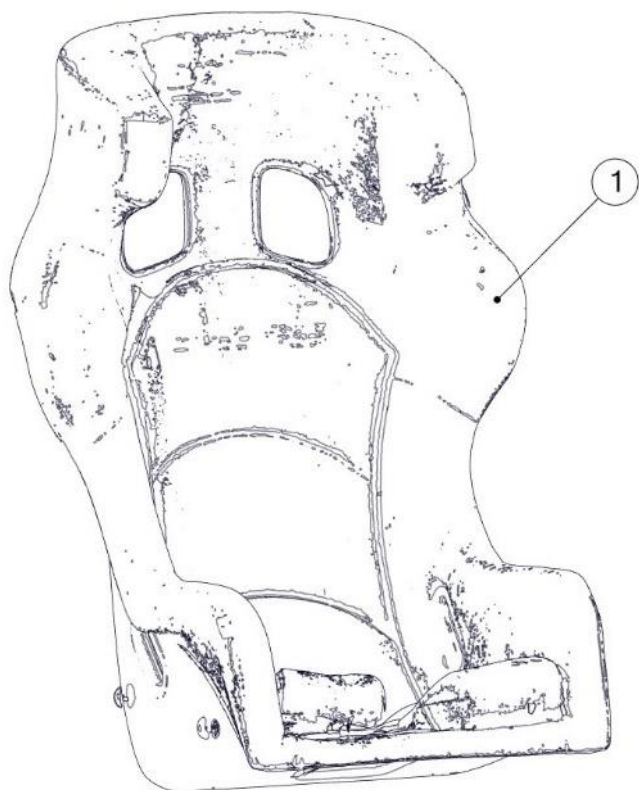
REP	REFERENCE	QTE	DESIGNATION
1	3V2A62840B	1	Groupe ventil 150w <i>Cockpit fan 150w</i>
2	CS570041ST	4	Vis BHC M5 I6 <i>Screw BHC M5 L6</i>
3	CS070013ST	4	Silentbloc M F D4x15 <i>Silentbloc M F D4x15</i>
4	6981H7	2	Collier D22.5 <i>Hose clip D22.5</i>
5	904495378A	1	Tuyau eau entrée chauffage <i>In cockpit pipe</i>
6	904495388A	1	Tuyau eau sortie chauffage <i>Out Cockpit pipe</i>
7	904496918A	2	Passe cloison dash8-10 <i>Dash8-10 grommet</i>
8	PS73682A10	2	Ecrou dash8 <i>Nut dash8</i>
9	3V2A62881A	3	Gaine air D50 L1m <i>Air hose D50 L1m</i>



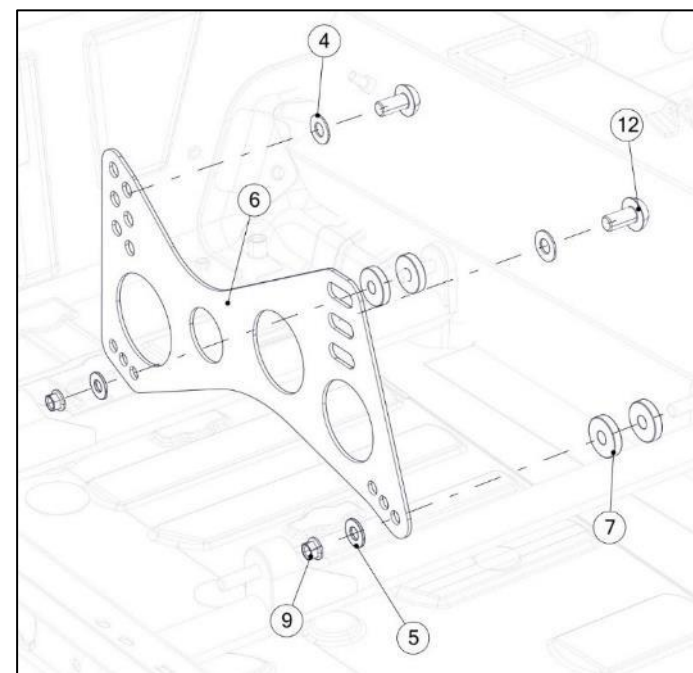
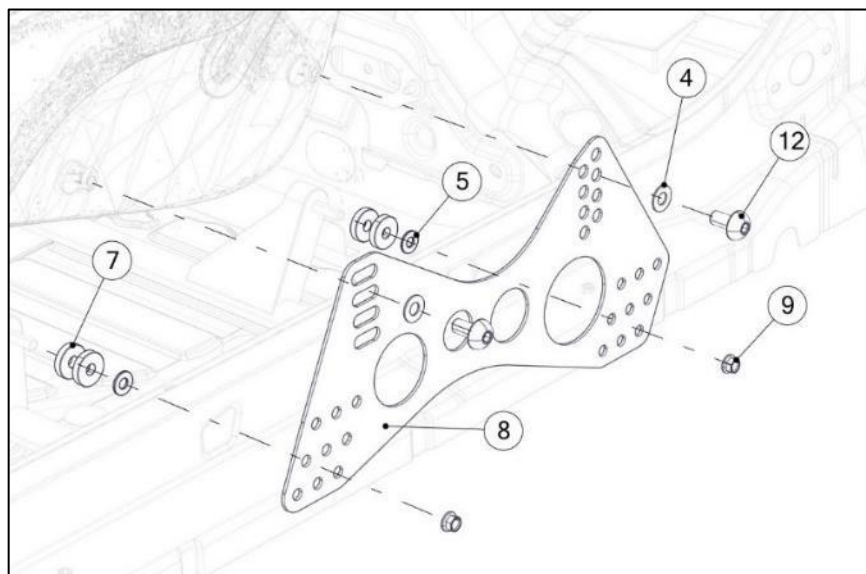
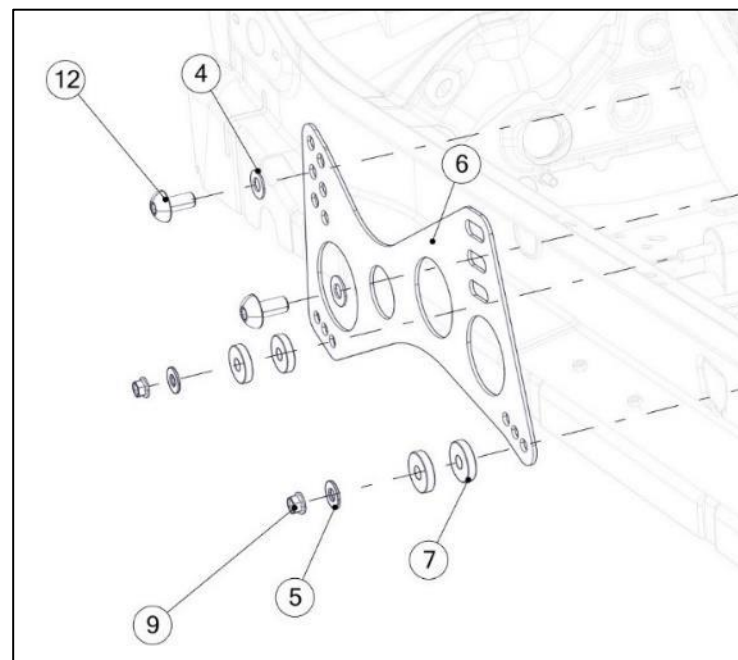
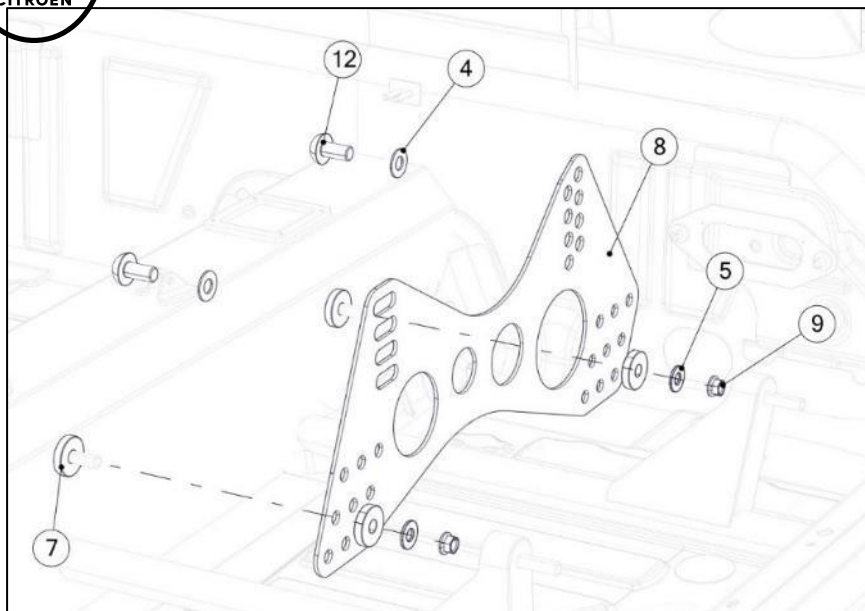
Y1A ASSISE AV SEATS







REP	REFERENCE	QTE	DESIGNATION
1	904484148A		SIEGE ATECH RS7 170 <i>Atech seat RS7 170</i>
	904674818A		SIEGE ATECH RS8 180 <i>Atech seat RS8 180</i>
	3Y1B27671A		SIEGE ATECH RS9 190 <i>Atech seat RS9 190</i>
10	904495278A	1	PADDING VC G <i>Padding VC G</i>
11	904495288A	1	PADDING VC D <i>Padding VC D</i>

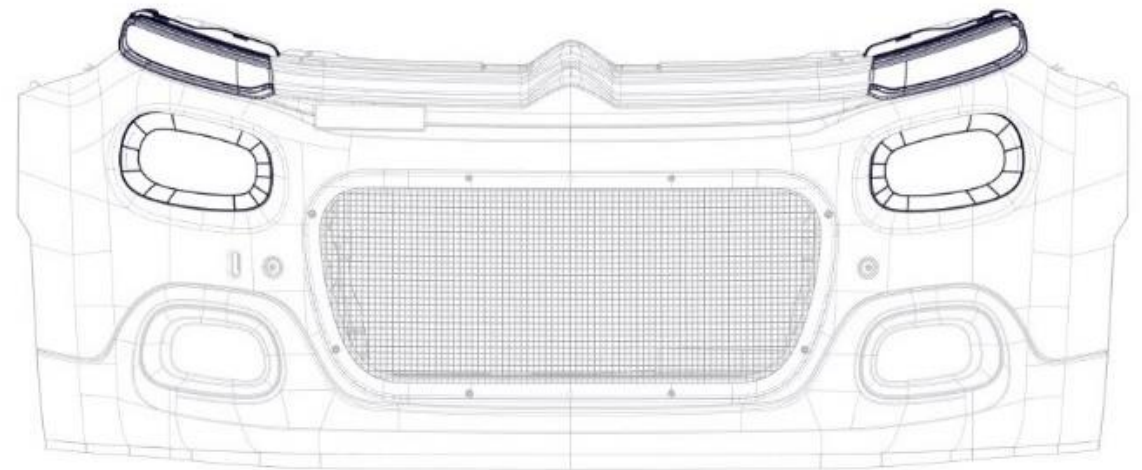
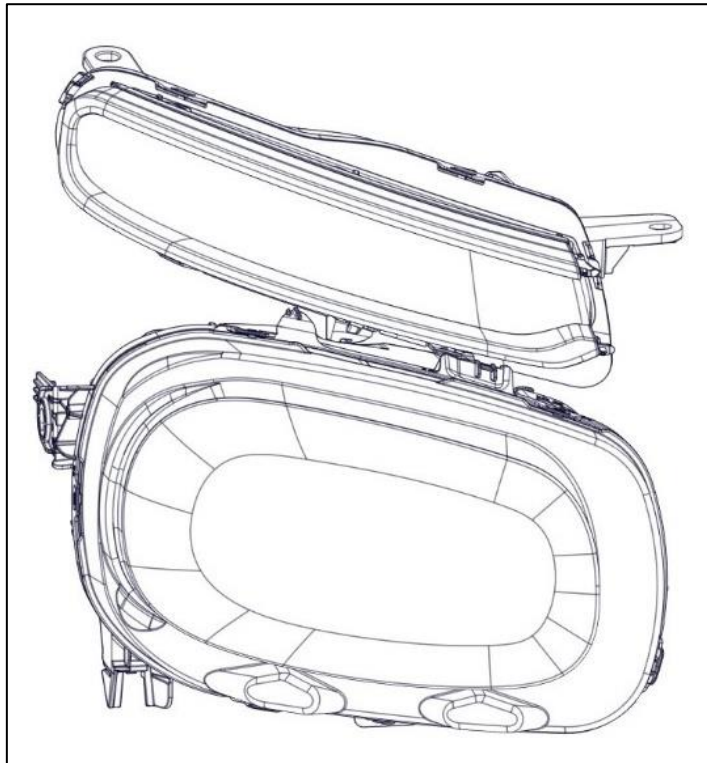


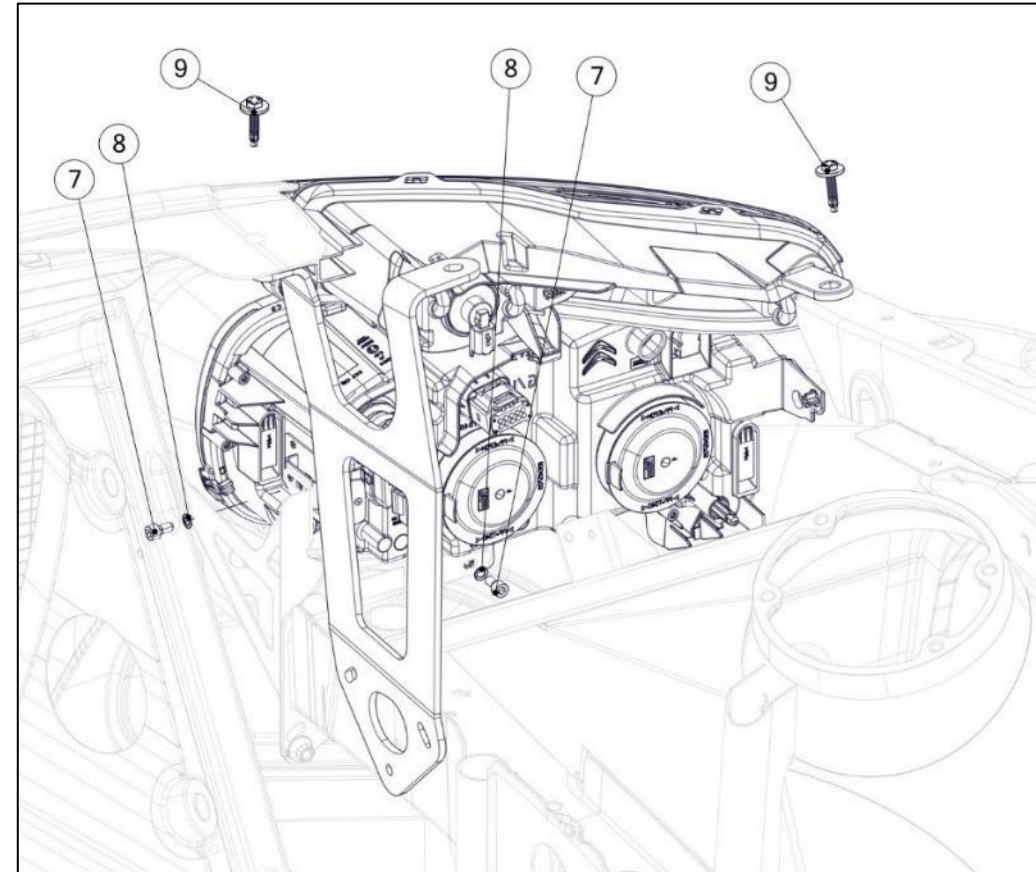
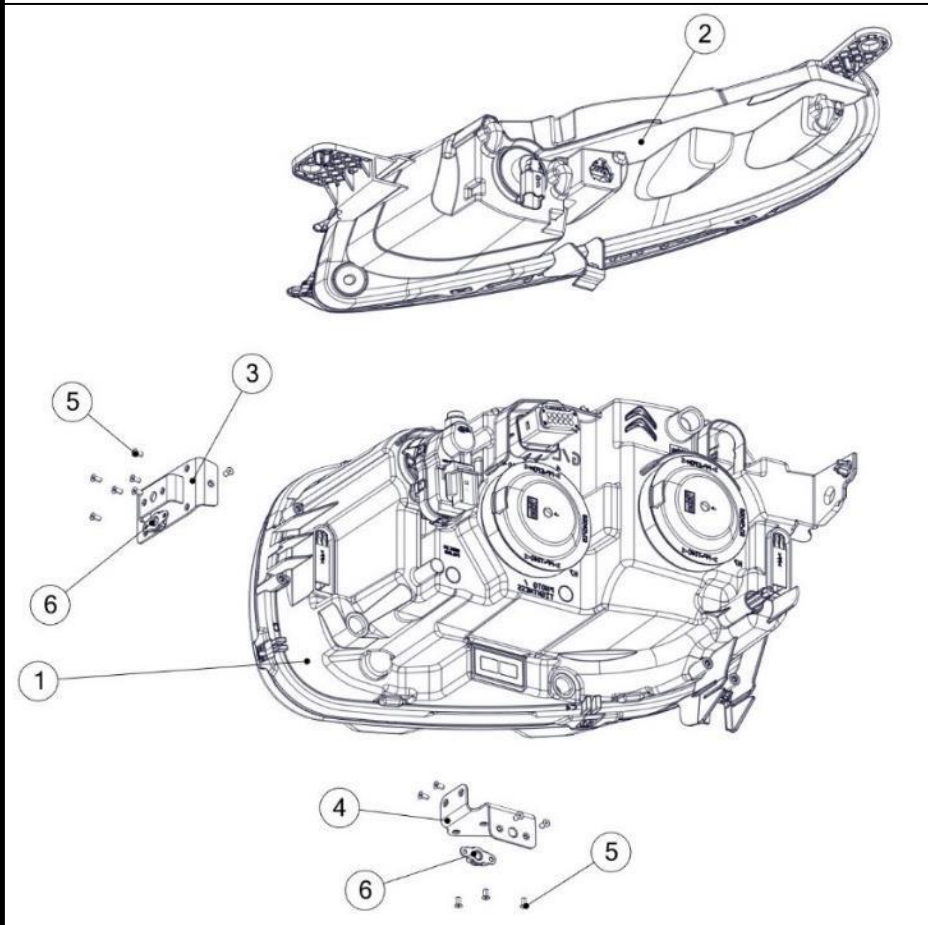
REP	REFERENCE	QTE	DESIGNATION
4	PS86068A10	8	RONDELLE PLATE D12x24-1.5 <i>Washer D12x24-1.5</i>
5	6947H6	8	RONDELLE PLATE 10x20x2.5 <i>Washer D10x20x2.5</i>
6	904619238A	2	SUPPORT SIEGE COPILOTE <i>Codriver seat bracket</i>
7	904489828A	16	CALE SIEGE <i>Seat spacer</i>
8	904488418B	2	SUPPORT SIEGE PILOTE <i>Driver seat bracket</i>
	904631398A	2	SUPPORT SIEGE PETIT PILOTE <i>Small driver seat bracket</i>
9	PS74014A10	8	ECROU A EMBASE M10 <i>Nut M10</i>
12	904610618A	8	VIS SIEGE <i>Seat screw</i>



Z1A PROJECTEURS AV *HEADLIGHTS*





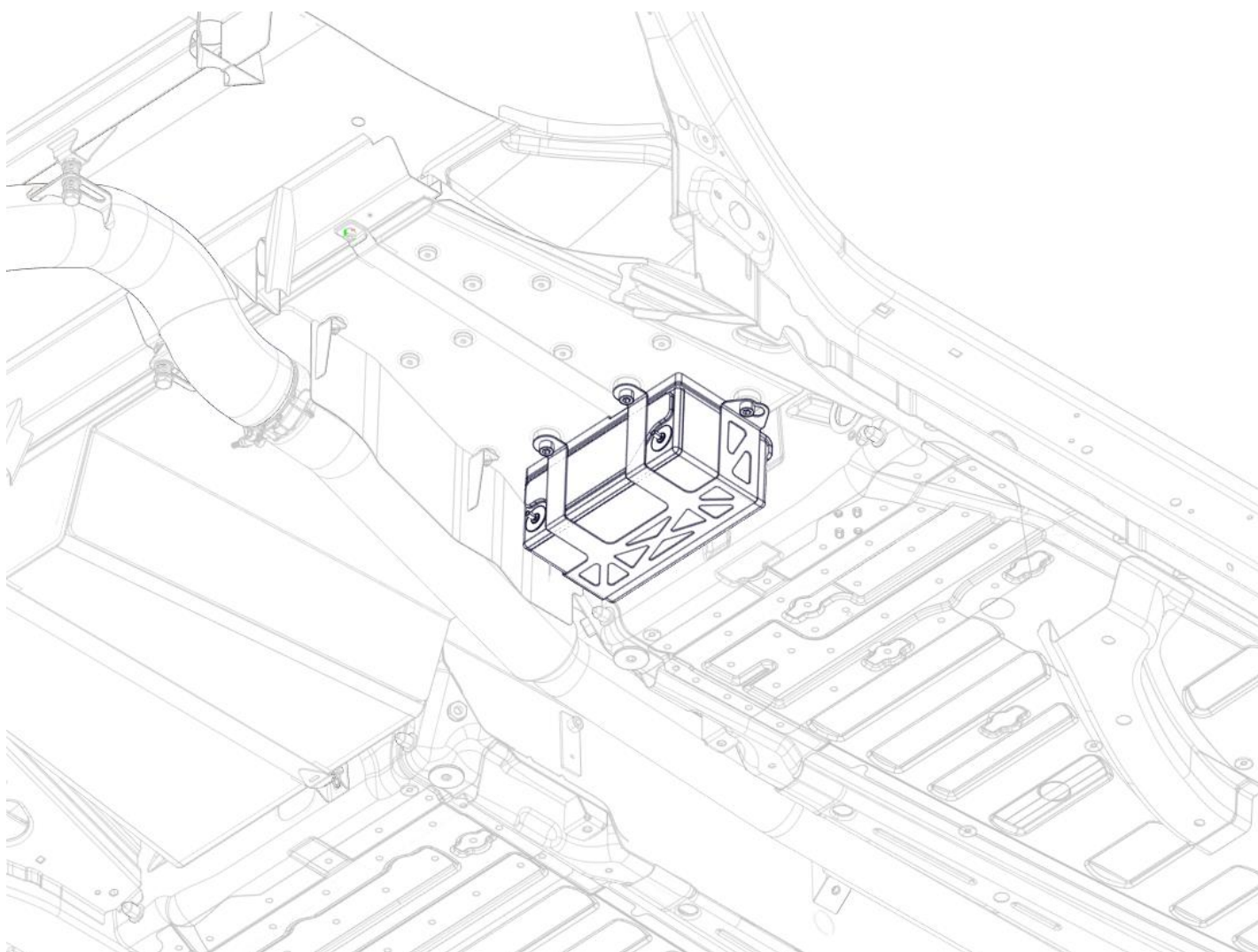


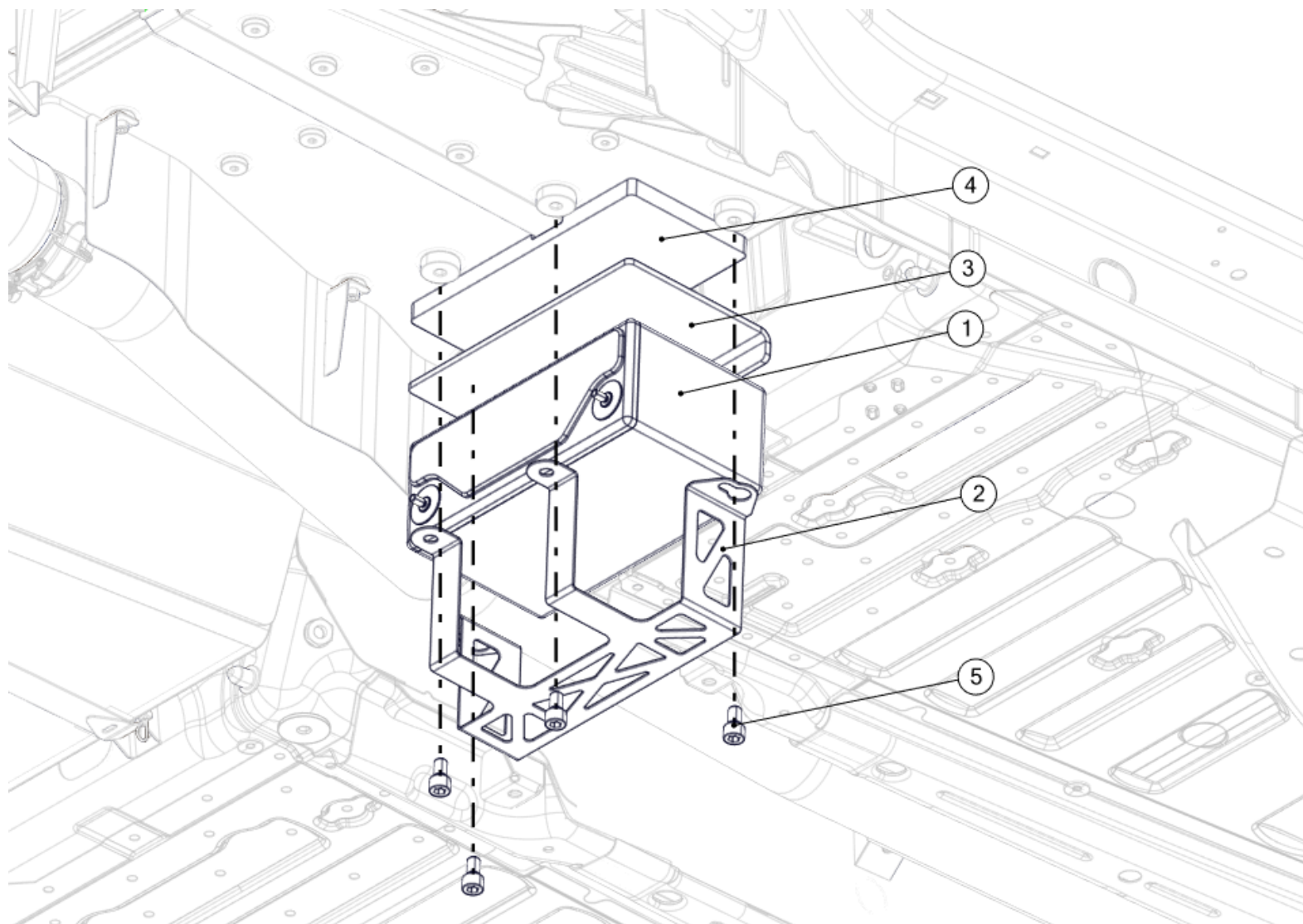
REP	REFERENCE	QTE	DESIGNATION
1	9820059280	1	PROJECTEUR D <i>Right Headlight</i>
	9820059680	1	PROJECTEUR G <i>Left Headlight</i>
2	9820877880	1	FEU AV D ENS <i>Right DRL</i>
	9820877780	1	FEU AV G ENS <i>Left DRL</i>
3	904477928B	2	SUPPORT FIXATION PROJ LAT <i>Side headlight bracket</i>
4	904484838A	1	SUPPORT FIX PROJ BAS DROIT <i>Lower right headlight bracket</i>
	904484848A	1	SUPPORT FIX PROJ BAS GAUCHE <i>Lower left headlight bracket</i>
5	PS92565A10	28	RIVET TF ALU Ø3.2X6 <i>Rivet TF Alu Ø3.2X6</i>
6	PS74673A10	4	ECROU PRIS D6 SIMMONDS FLOT <i>Anchor Nut D6 Simmonds</i>
7	PS82119A10	2	VIS-CHC-M6X12 <i>Screw CHC M6-12</i>
8	PS86098A10	4	RONDELLE SPS 6X10X0.7 <i>SPS Washer 6x10x0,7</i>
9	623006	4	VIS TH RDL DIAM 6-30 <i>TH Flange screw M6x30</i>
	PS82057A10	2	VIS M6x18 cl 12.9 Screw M6x18 cl 12.9



Z1C BATTERIE *BATTERY*







REP	REFERENCE	QTE	DESIGNATION
1	3Z1C23836A	1	Batterie <i>Battery</i>
2	904471358B	1	Sangle batterie <i>Battery belt</i>
3	904477598A	1	Mousse batterie <i>Battery foam</i>
4	904472228A	1	Cale batterie <i>Wedge battery</i>
5	PS82566A10	4	Vis CHC M10x18 <i>Screw CHC M10x18</i>
	9831253280	1	CABLE DE MASSE <i>Ground wire</i>
	696319	2	Rondelle à dents STD Ø6x18-0,9 <i>External tooth washer STD Ø6x18</i>
	693586	2	Ecrou Frein M6 <i>Nylstop nut M6</i>
	6958-58	1	Rondelle éventail D8 <i>External tooth washer D8</i>
	7238ET	5	Ecrou frein à embase M8-7-10 <i>Self-locking flange nut M8-7-10</i>
	3Z1C40608A	1	Protection cosse batterie noire <i>Wire battery end cover black</i>
	3Z1C40609A	1	Protection cosse batterie rouge <i>Wire battery end cover red</i>

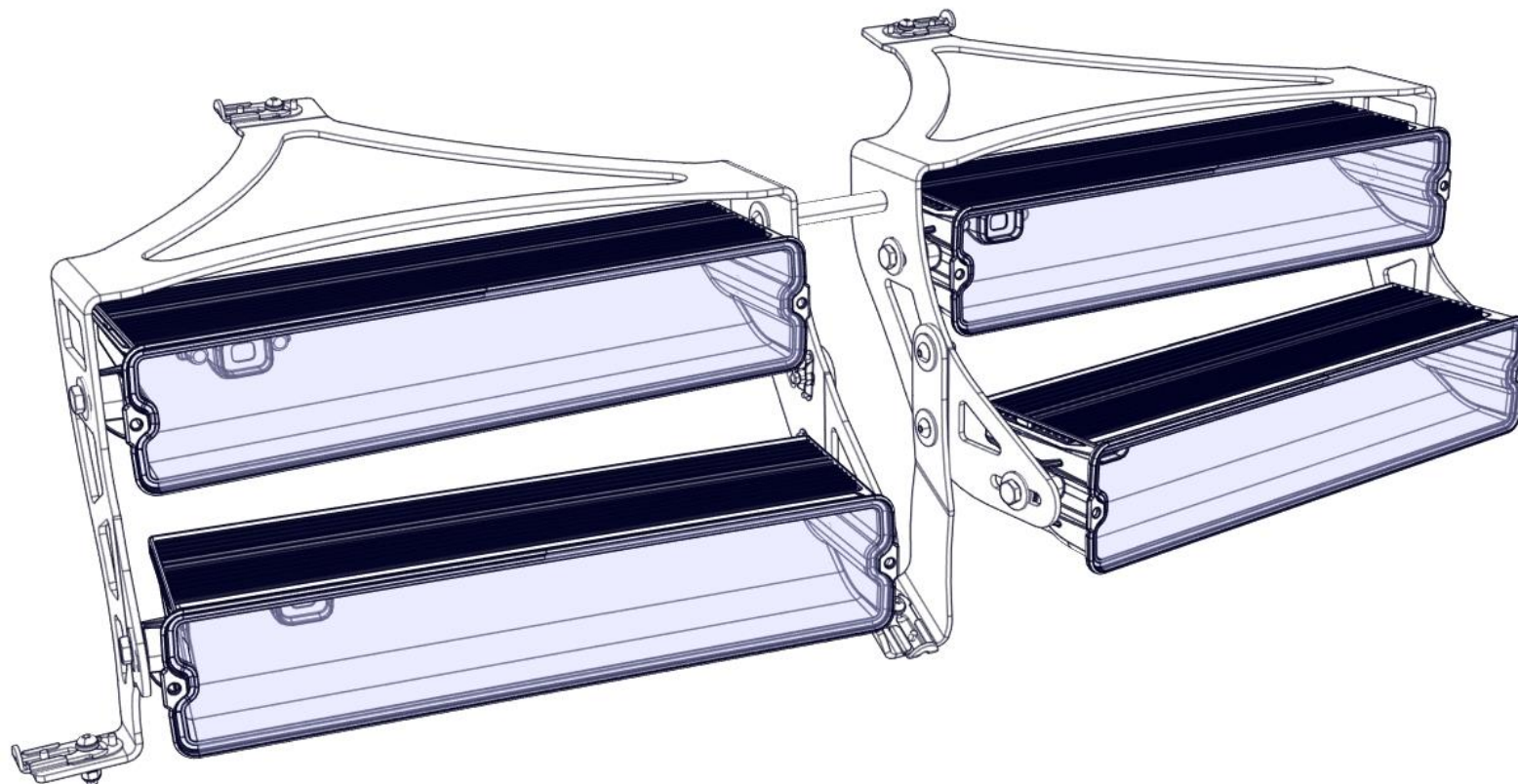


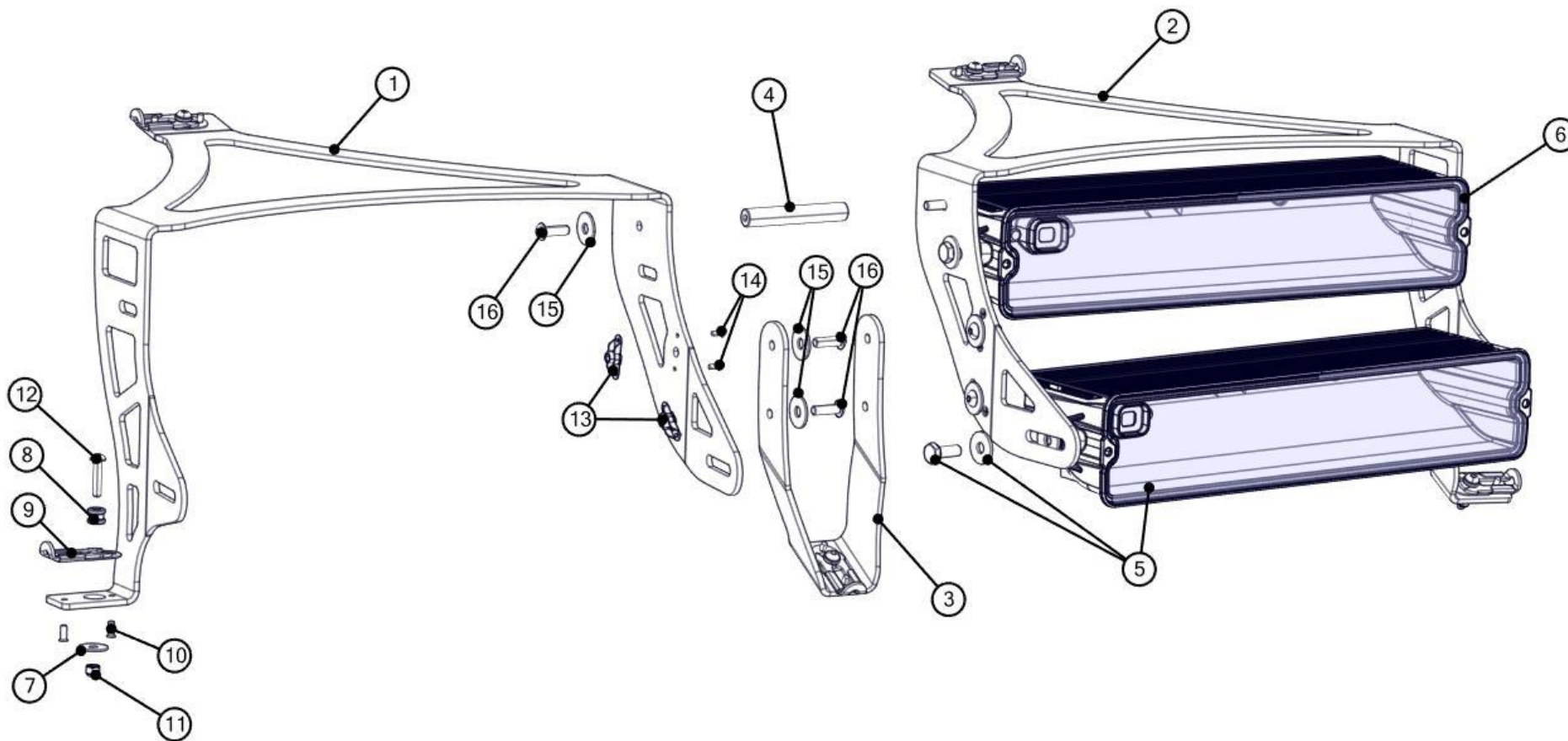
Z2C

RAMPE DE PHARE

HEADLIGHT RAMP





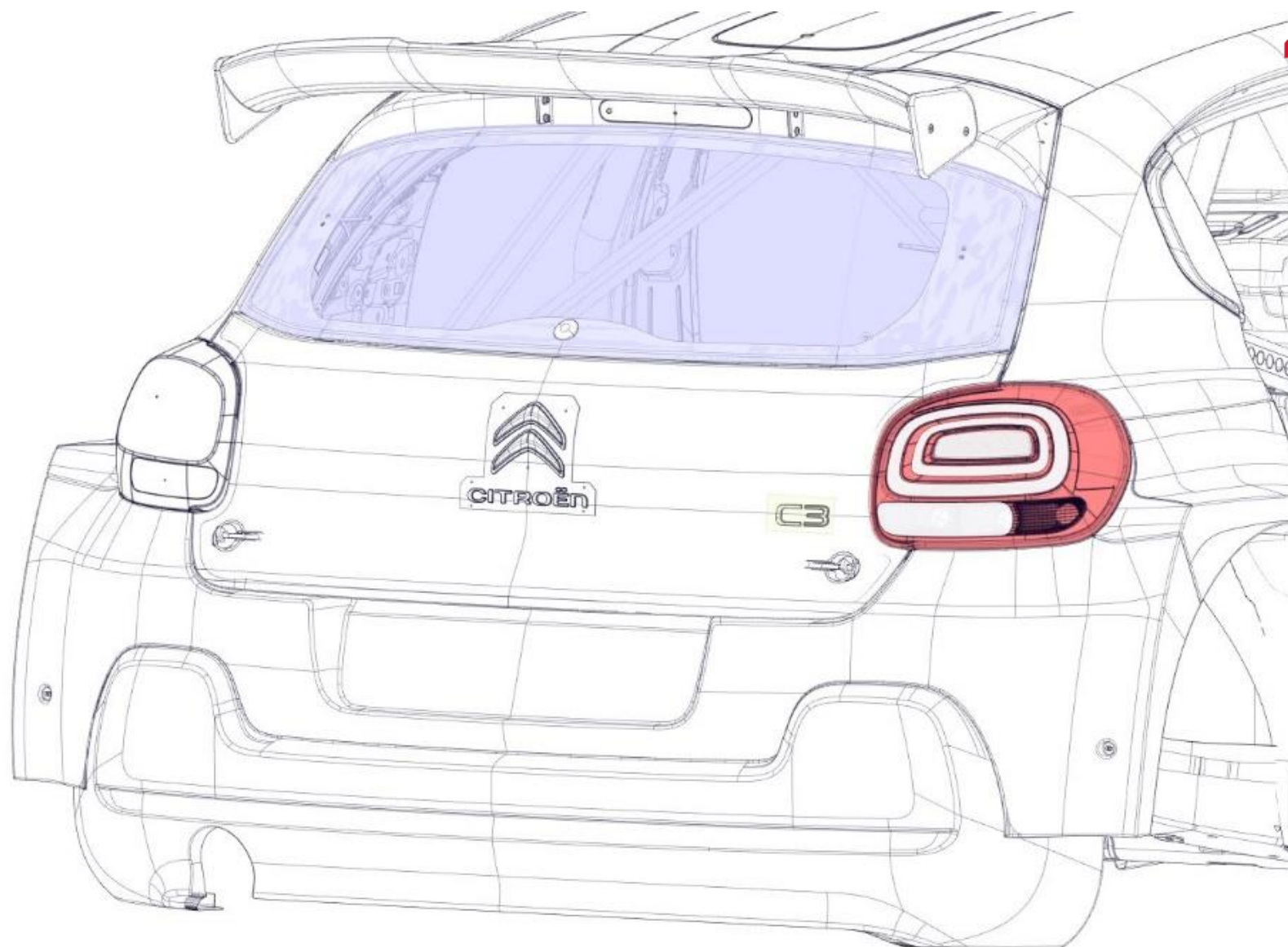


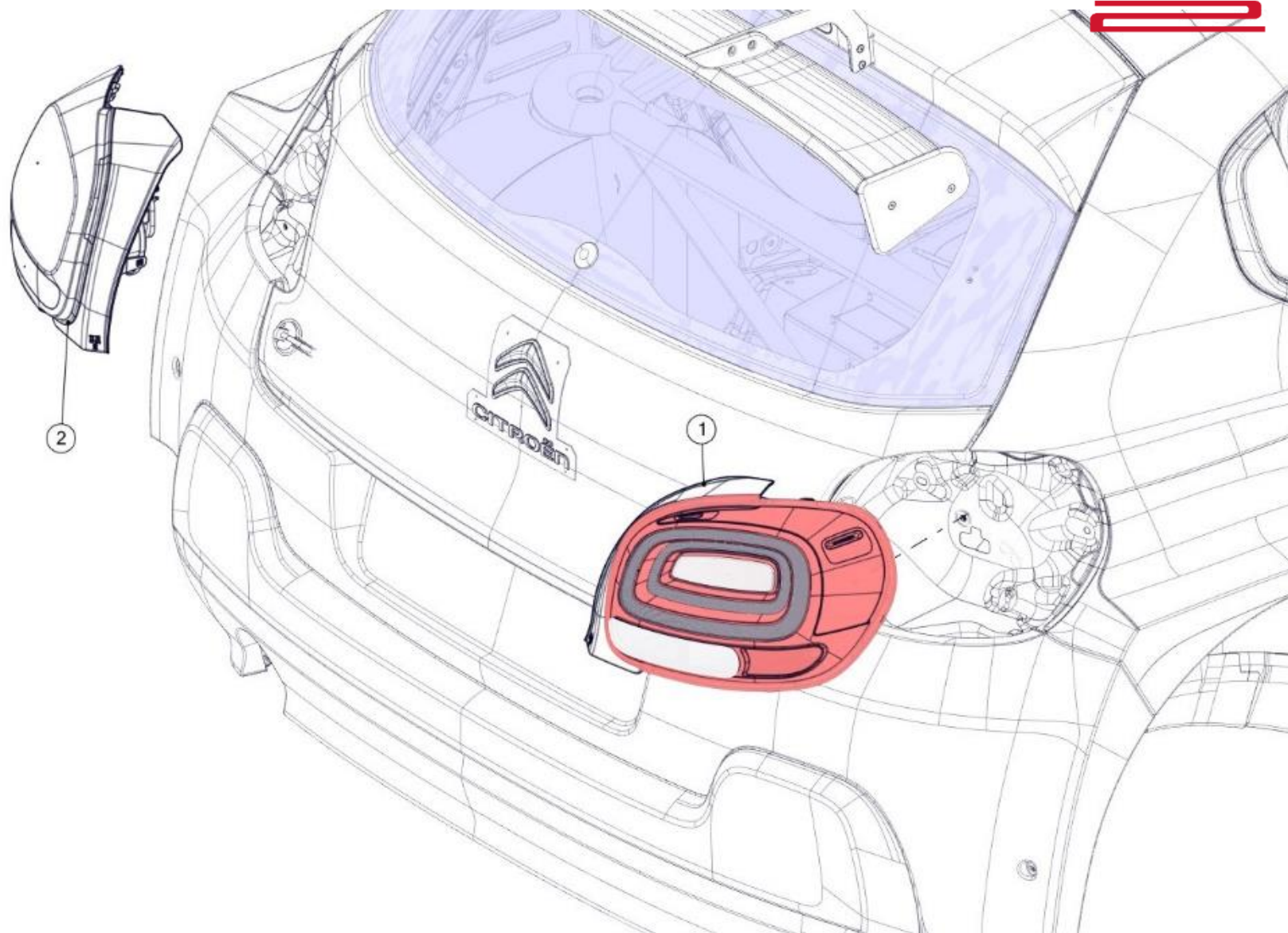
REP	REFERENCE	QTE	DESIGNATION
1	904955138A	1	Ossature rampe phare D <i>Right ramp lights bracket</i>
2	904960148A	1	Ossature rampe phare G <i>Left ramp lights bracket</i>
3	904960118A	1	Renfort rampe inférieure <i>Inferior ramp reinforcement</i>
4	904960138A	1	Renfort rampe supérieure <i>Superior ramp reinforcement</i>
5	904947458A	2	Optique Lazer Carbon 6 Drive <i>Lazer Carbon 6 Drive light</i>
6	904964348A	2	Optique Lazer Carbon 6 Spot <i>Lazer Carbon 6 Spot light</i>
7	6949-29	5	Rondelle D5x16x1,5 <i>D5x16x1,5 washer</i>
8	PS78574A10	5	Pion targette <i>Latch bush</i>
9	PS78573A10	5	Targette <i>Latch</i>
10	CS430020ST	10	Rivet TF D3.2 L8 alu <i>TF rivet D3.2 L8 alu</i>
11	ST02500009	5	Ecrou frein HM M4 <i>M4 stop nut</i>
12	PS85110A10	5	Vis BHC M4x20 <i>BHC screw M4x20</i>
13	PS74677A10	4	Ecrou prisonnier D5 flottant <i>D5 floating nut</i>
14	PS92617A10	8	Rivet TF alu Ø2,4x6 <i>TF alu rivet Ø2,4x6</i>
15	PS86586A10	6	Rondelle plate D6,4x18x1,2 <i>Washer D6,4x18x1,2</i>
16	ST05700044	6	VIS BHC M5x35 <i>BHC Screw M5x35</i>
17	904974668A	1	Faisceau rampe de phare Lazer <i>Lazer headlight ramp loom</i>



Z2F FEUX ARRIERE *REAR LIGHT*







REP	REFERENCE	QTE	DESIGNATION
1	9812257480	1	Feu arrière droit <i>Rear right light</i>
2	9812257580	1	Feu arrière gauche <i>Rear left light</i>
3	6938-25	2	Ecrou feu arrière <i>Tail light Nut</i>



Z9J
ENS FAISCEAUX MOTEUR
ENGINE LOOM



REP	REFERENCE	QTE	DESIGNATION
1	904465208D	1	FAISCEAU MOTEUR <i>Engine loom</i>
2	PS93553A10	3	PASSE GAINÉ D15 CAOUTCHOUC <i>Grommet D15</i>
3	CS420028ST	3	RESSORT SURETE KL <i>Safety spring KL</i>
4	904477698A	1	PROLONGATEUR LAMBDA <i>Lambda extension loom</i>
5	904477718A	1	PROLONGATEUR DEMARREUR <i>Starter extension loom</i>
6	904476928C	1	PROLONGATEUR P2P-P0 <i>P2P-P0 extension loom</i>
7	904479278J	1	FAISCEAU SERVITUDES AVG <i>Front left loom</i>
8	904479298F	1	FAISCEAU SERVITUDES AVD <i>Front right loom</i>
9	904481048E	1	FAISCEAU PUISSANCE <i>Power loom</i>
10	904609788A	1	FAISCEAU ADR <i>ADR loom</i>
11	904476848C	1	FAISCEAU BOBINES <i>Coils loom</i>
12	904472848A	1	SIRENE <i>Horn</i>
13	904478198A	1	BRETELLE SIRENE <i>Horn extension loom</i>
14	3Z1C40608A	1	Protection cosse batterie noire <i>Wire battery end cover black</i>
15	3Z1C40609A	2	Protection cosse batterie rouge <i>Wire battery end cover red</i>
16	PS09235A10	10	EMBASE ADHESIVE NOIR <i>Adhesive cable clips black</i>

REP	REFERENCE	QTE	DESIGNATION
17	695855	1	RONDELLE DENT 5X9,4-0,6 <i>Tooth washer 5x9,4-0,6</i>
18	6958-58	5	RONDELLE DENT 8,3X14,3-0,8 <i>Tooth washer 8,3x14,3-0,8</i>
19	904476918A	1	PROLONGATEUR N TURBO <i>NTurbo extension</i>
20	904477688B	1	PROLONGATEUR ELB <i>ELB extension</i>
21	904264138D	1	ELB CABLE <i>Wired ELB</i>
22	904923928A	1	Bouchon CAN ELB <i>ELB CAN cap</i>
23	3Z9J24331C	1	Faisceau injecteurs <i>Injectors loom</i>



Z9S

FAISCEAUX CHASSIS

CHASSIS LOOM



	REFERENCE	QTE	DESIGNATION
1	904463528Q	1	FAISCEAU CHASSIS <i>Cockpit loom</i>
2	904499638B	1	PROLONGATEUR VITESSE FIA <i>FIA speed extension loom</i>
3	904465228C	1	FAISCEAU BLOC HYDRAULIQUE <i>Hydraulic loom</i>
4	904479308A	1	FAISCEAU HAYON <i>Tailgate loom</i>
5	904496408C	1	FAISCEAU COUPE CIRCUIT EXTERNE <i>External breaker loom</i>
6	9831253280	1	CABLE DE MASSE <i>Ground wire</i>
7	PS82621A10	1	Vis M8 x 12 <i>Screw M8x12</i>
8	7238ET	5	Ecrou frein à embase M8-7-10 <i>Flange nut M8-7</i>
9	904609538B	1	Faisceau batterie – Coupe-circuit <i>Battery / Breaker loom</i>
10	CS070015ST	3	SILENT BLOC Male/Male 5x12 <i>Silent bloc M/M 5x12</i>
11	CS250040ST	4	ECROU H NYLSTOP M5X080 <i>Locknut M5x080</i>
12	904615708A	1	KIT CONNECTEURS INVERSEES <i>Reverse connectors set</i>
13	903287058A	1	SUPPORT PRISE NORTRONIC <i>Nortronic plug bracket</i>
14	904620188A	1	BOITIER ADR EM <i>ADR Box</i>
15	3Z9S25574A	1	Clé mémoire SRG <i>USB memory stick</i>
16	6995CQ	4	Connecteur postiche 3 voies noir <i>3 ways connector plug</i>
17	6995CP	2	Connecteur postiche 2 voies noir <i>2 ways connector plug</i>

	REFERENCE	QTE	DESIGNATION
18	904620088C	1	FAISCEAU EXTINCTEUR Lifelive <i>Extinguisher loom LifeLive</i>
19	904616878A	1	FAISCEAU monit C3R5 <i>Monit loom C3R5</i>
20	3Z7H26166A	1	Monit T100 <i>Monit T100</i>
21	904666748A	1	Support Monit <i>Monit bracket</i>
22	PS86044A10	2	Vis CHC M5x10 <i>EScrew CHC M5x100</i>
23	PS82018A10	2	Rondelle D5x10x1 <i>Washer D5x10x1</i>
24	904646318C	1	FAISCEAU Ventilateur freins AR <i>Rear brakes fans loom</i>
25	904701158A	1	Prolongateur Pare-brise <i>Windscreen loom</i>
26	CS160085ST	1	Collier Torro 9 W4 30-45x9 <i>Torro Collar 9 W4 30-45x9</i>
27	PS85212A10	2	Vis ULF M4x8 Cl10.9 <i>ULF Screwn M4x8 Cl10.9</i>
28	6958-58	3	Rondelle à dents 8x14 <i>Tooth washer 8x14</i>
29	904959388A	1	Faisceau lampe copilote <i>Codriver map light loom</i>
30	PS82648A10	8	Vis ULS M3x10 cl12.9 <i>ULS screw M3x10</i>
31	PS74803A10	8	ECROU NYLSTOP M3 <i>M3 locking nut</i>
32	904968098A	1	Boost essuie-glace cablé <i>Wired wipper boost</i>