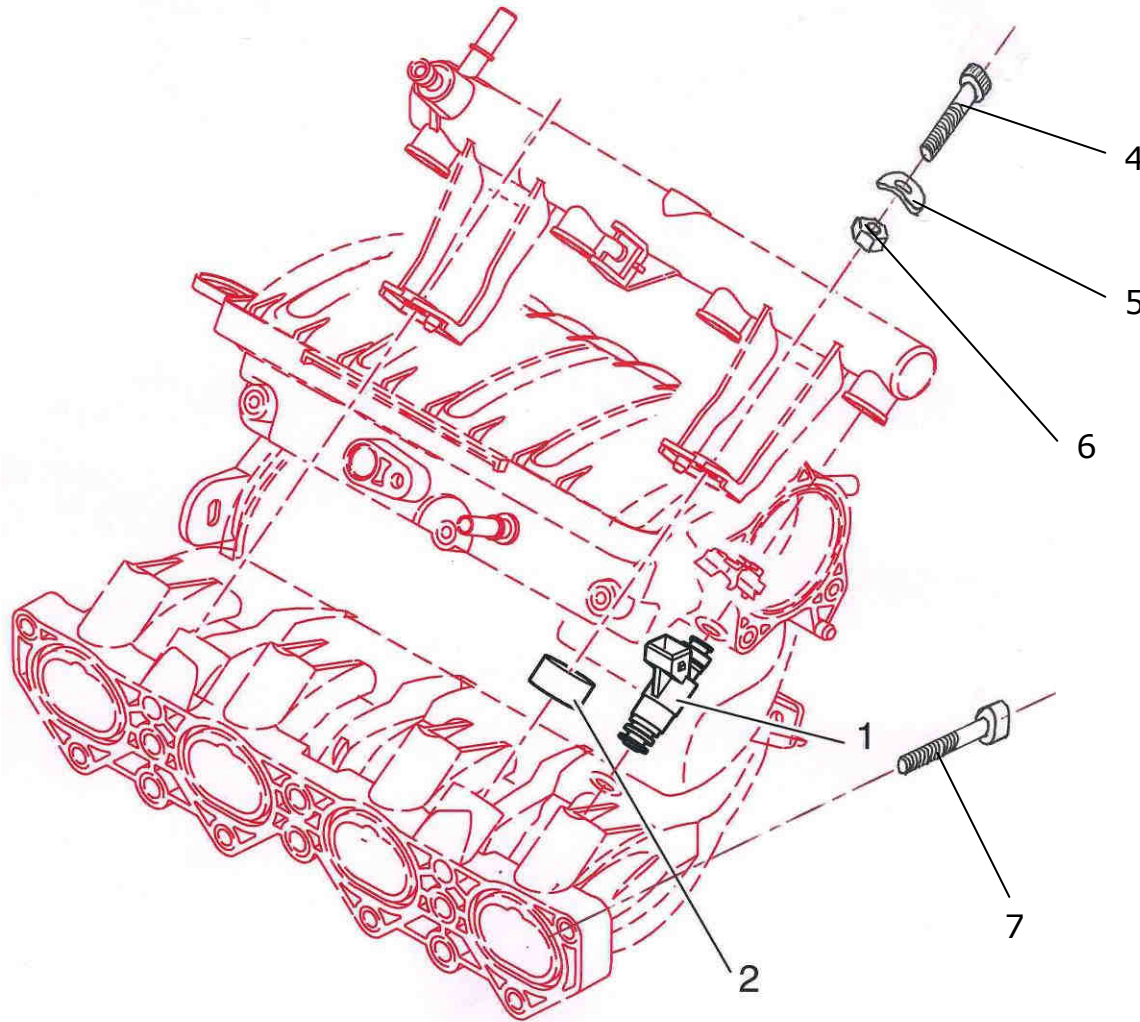


A23 : INJECTION

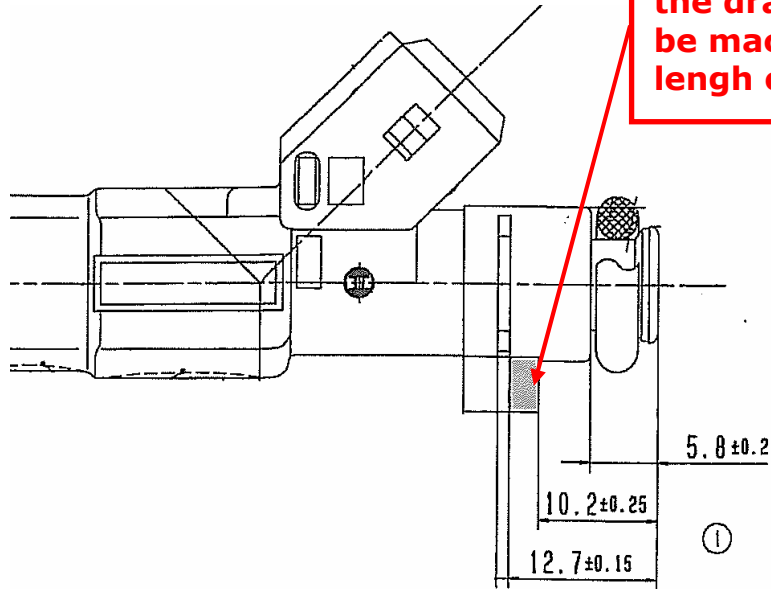


REF	PART NUMBER	QTY	DESCRIPTION
1	BCSP1984F3	4	Injector
2	0A2361452A	4	Fuel ramp spacer
3	BCSP6529VX	1	Injector loom
4	BCSP6913Q0	2	M5 x 40 Alen screw
5	PS86001A10	2	ø5 onduflex A washer
6	BCSP693673	2	M5 self-locking Nut
7	PS82017A10	6	M6 x 25 Alen screw
8			
9			
10			
11			
12			
13			
14			
15			

INJECTION ASSEMBLY

!!!




Injector modification :



The grey sign shown on the drawing needs to be machined, until the length of 12.7mm.

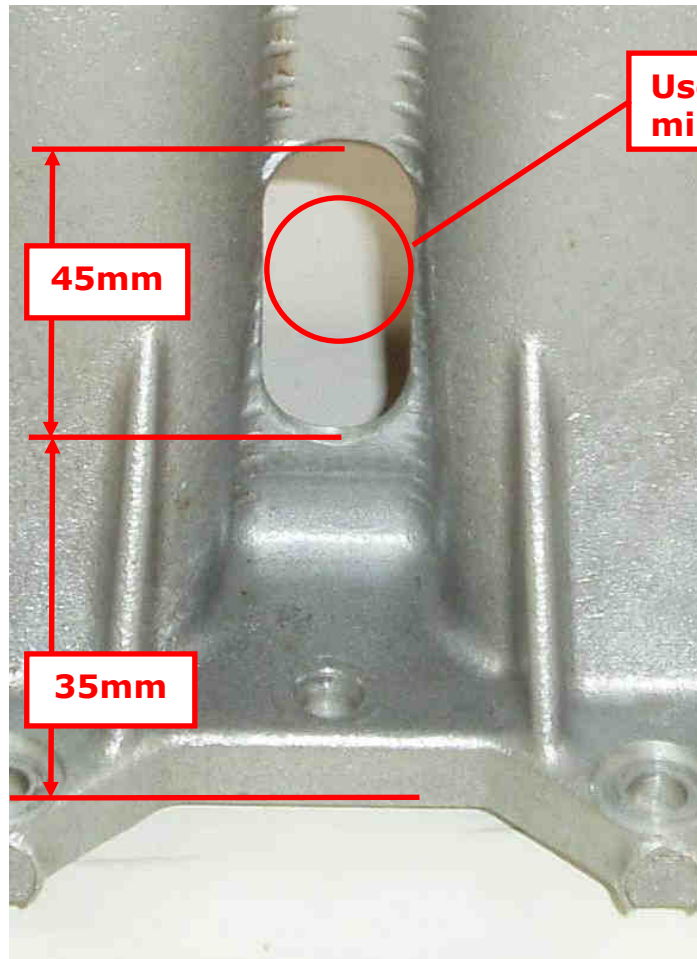
Final result



<p>!!!</p>	<p>Pay attention that inlet manifold screws (<i>ref 7</i>, fixing the manifold on the head) are 12.9 class.</p>	
	<p>Pay attention to check that standard injection ramp screws have been replaced by CITROEN Sport parts, parts number BCSP 6913Q0 (M5)</p> <p>Injection ramp screws torque (<i>ref 4</i>)</p>	<p>0.8 m.kg + Loctite 242</p>
	<p>Inlet manifold screws (<i>ref 7</i>)</p>	<p>M6 x 100, cl12.9 : 1.5 m.kg + Loctite 222 M8 x 125, cl12.9 : 3,5 m.kg + Loctite 222</p>
<p>A</p>	<p>With several versions of standard C2 engine looms, it is possible that the injector loom connector is not in accordance with engine loom injector connector. Apply following instruction to connect it.</p>  <div data-bbox="931 1158 1485 1233" style="border: 2px solid red; padding: 5px; display: inline-block; color: red; font-weight: bold;"> <p>Cut off both polarizing slots</p> </div>	

A

For an easy removing of the injector loom during services, and for the best location, we recommend to do an oblong hole in the inlet manifold, as shown on pictures below :

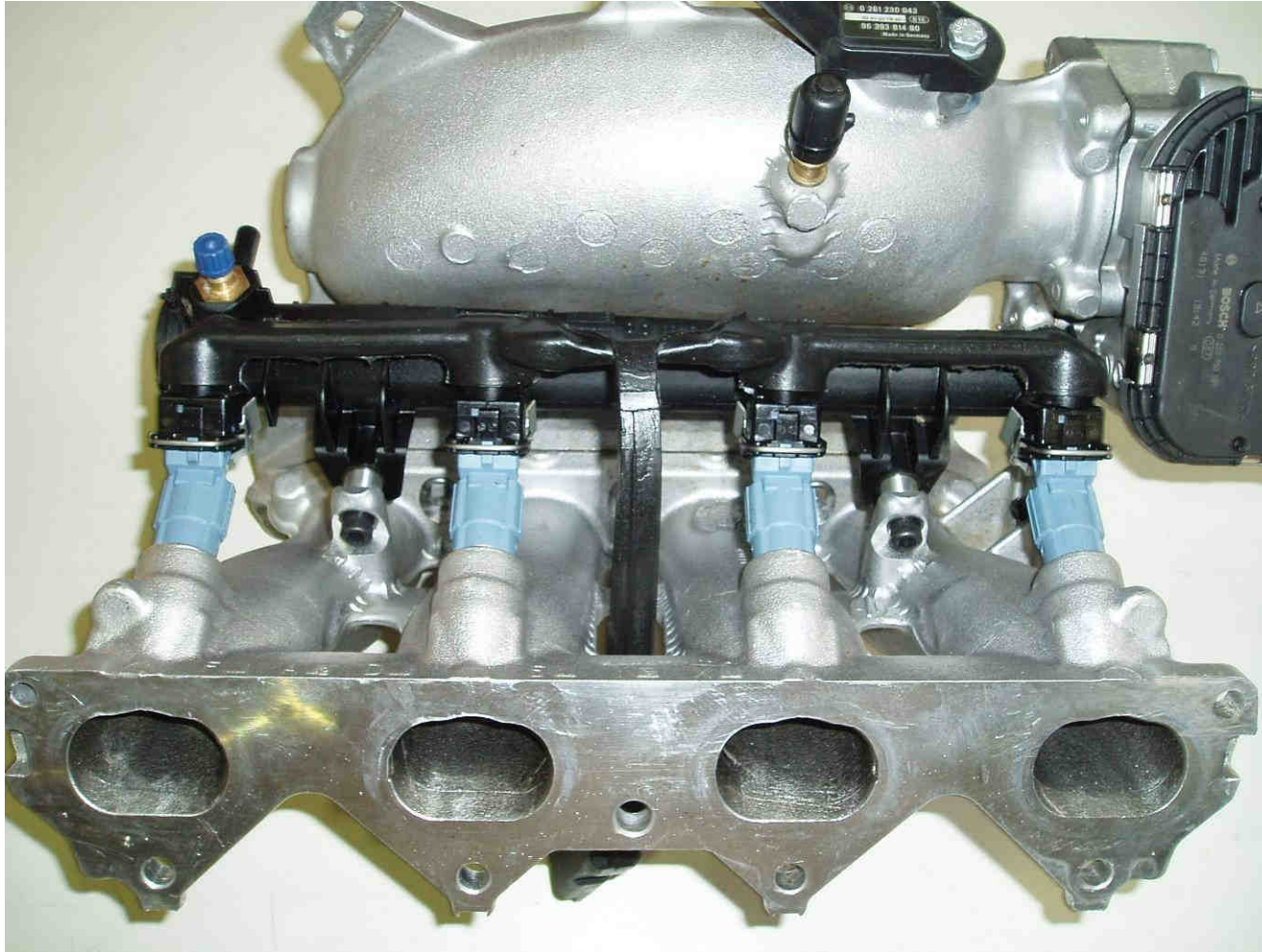


Use a 20mm milling cutter.



A

Final result :



!!!

After a long using of the engine revs limiter (for example during fast rallies, with fast sections at top speed), we recommend to change the electrical throttle.

Intermittent engine cuts could be the sign to an electrical throttle failure.

Electrical throttle setting :

- 1 - Contact off
- 2 - Push throttle pedal full, and keep it in full position
- 3 - Contact on, and wait during 15 sec
- 4 - Release slowly the throttle pedal, to the minimal position
- 5 - Contact off
- 6 - Start the engine

The electrical throttle is set.