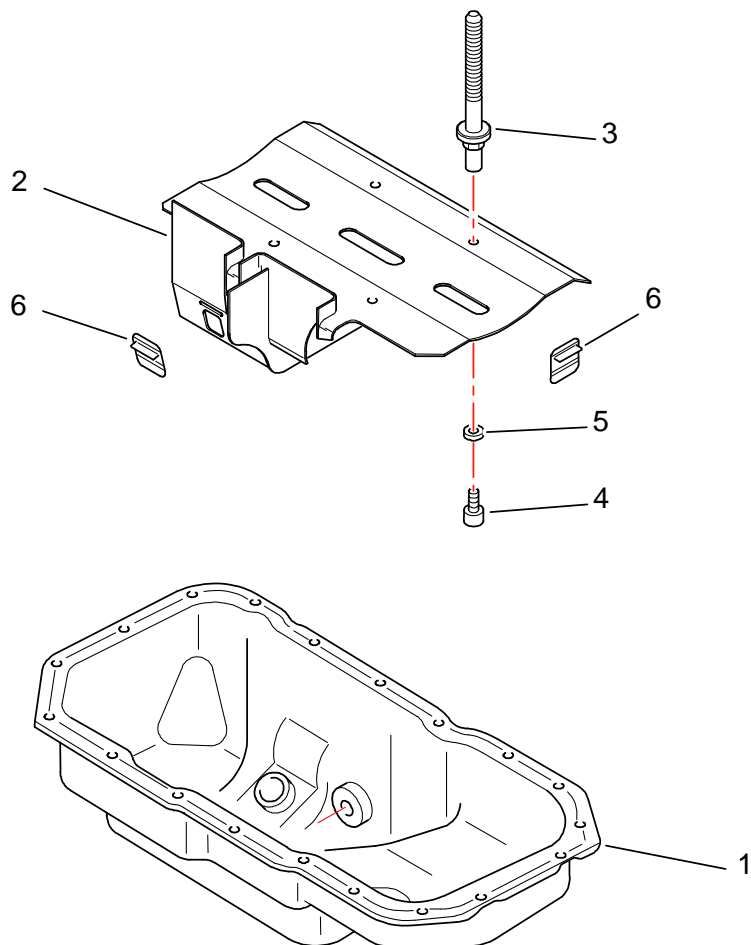





**A15 : LUBRICATION**

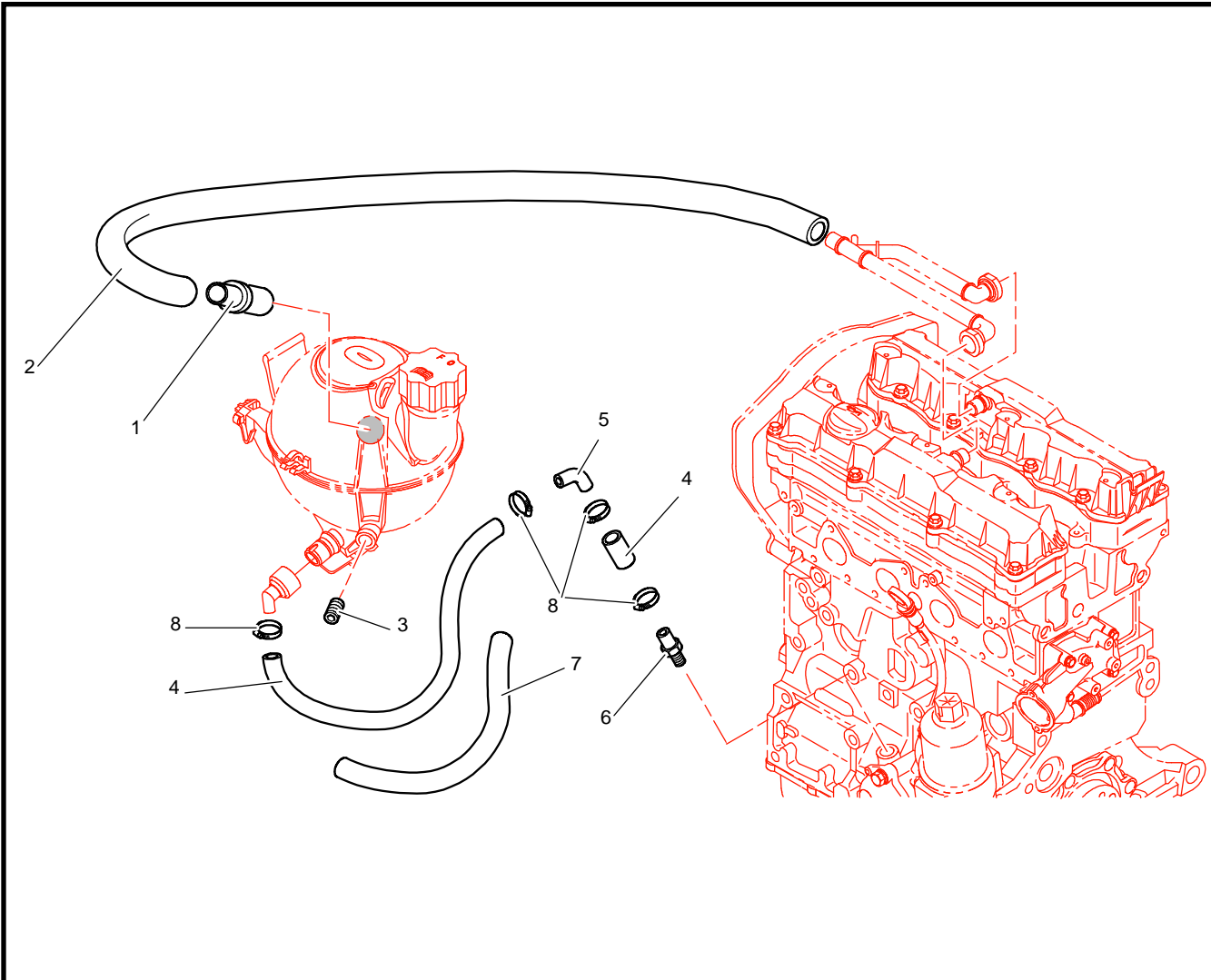


REF	PART NUMBER	QTY	DESCRIPTION
<b>1</b>	BCSP0301A9	1	Oil sump
<b>2</b>	0A1506664B	1	Anti oil surge plate
<b>3</b>	0A1506221A	4	Crankshaft bearing specific screw
<b>4</b>	PS82018A10	4	M5 x 10 Alen screw
<b>5</b>	PS86001A10	4	ø5 onduflex A washer
<b>6</b>	0A1506446A	2	Anti oil surge trap
<b>7</b>			
<b>8</b>			
<b>9</b>			
<b>10</b>			
<b>11</b>			
<b>12</b>			
<b>13</b>			
<b>14</b>			
<b>15</b>			

**LUBRICATION ASSEMBLY**

	<p>Crankshaft bearing screws torque.</p>	<p><b>2 m.kg + 50° + Mos2 grease or oil</b></p>
	<p>Oil sump screws torque, short ones  Oil sump screws torque, long ones.</p>	<p><b>0.5 m.kg + Loctite 242</b>  <b>1 m.kg + Loctite 242</b></p>
	<p>Anti oil surge plate screws torque (<i>ref 4</i>)</p>	<p>1 m.kg</p>

**A15 : LUBRICATION**



REF	PART NUMBER	QTY	DESCRIPTION
1	0A1561126A	1	Blowby box adaptator
2	0A1506498A	1	Blowby hose 23 x 16 x 900
3	0A1561220A	1	Blowby box cap
4	0A1506870A	1	Blowby box to oil sump hose
5	0A1561157A	1	90° bend
6	0A1145038A	1	Plunger adaptator
7	0A1506871A	1	Heat protection sheath
8	BCSP6981N2	4	ø19-28 mm spring clips
9			
10			
11			
12			
13			
14			
15			

**LUBRICATION ASSEMBLY**

**!!!**

**Don't forget to fit the heat protection sheath on the oil hose. This hose is close to the exhaust manifold**