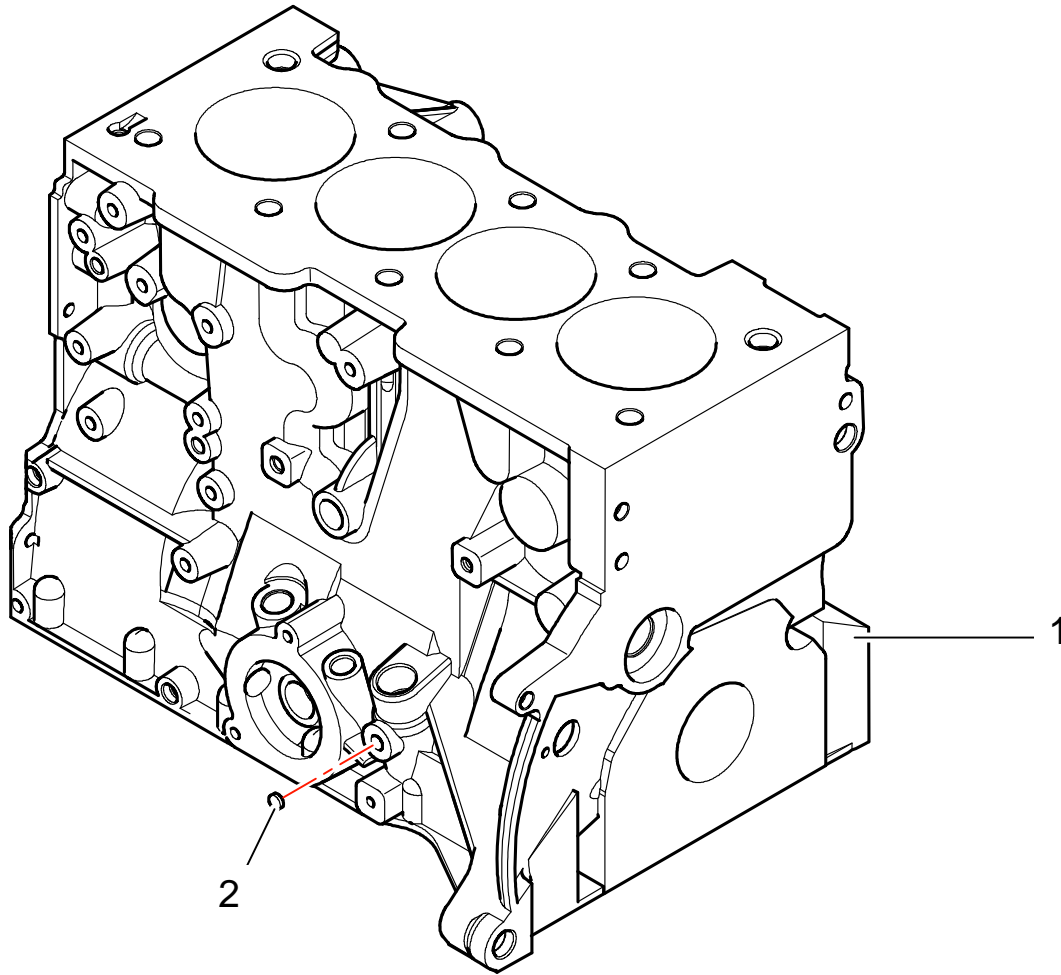


Chapter A :

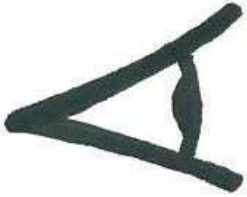
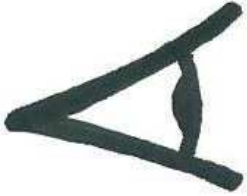

ENGINE

A11 : CYLINDER BLOCK



REF	PART NUMBER	QTY	DESCRIPTION
1	0A1162550B	1	Cylinder block
2	0A1161362A	1	Welsh plug ø8
3			
4			
5			
6			
7			
8			
9			
10			
11			
12			
13			
14			
15			

CYLINDER BLOCK ASSEMBLY

	<p>Check visually the top of the cylinder block, and be sure that the cylinder head gasket surface has no marks, no stripes and no oxydation.</p>	
	<p>Clean oil galleries and oil holes (crankshaft bearing, hole to the head) with a right brushe. All the oil circuit needs to be perfectly clean before the assembly.</p>	
	<p>Welsh plug (<i>ref 2</i>)</p>	<p>Loctite 648</p>