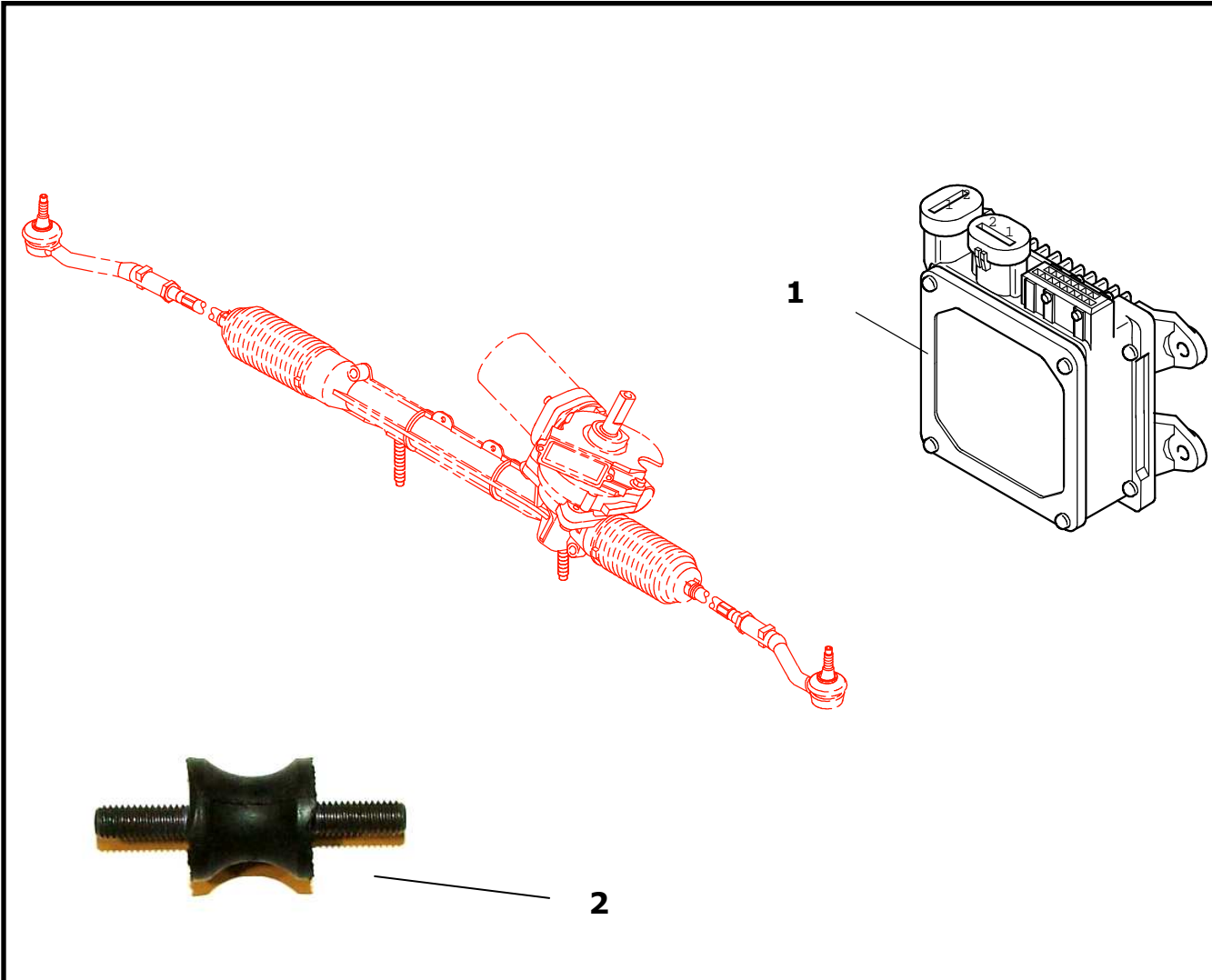


Z9K : POWER STEERING ECU



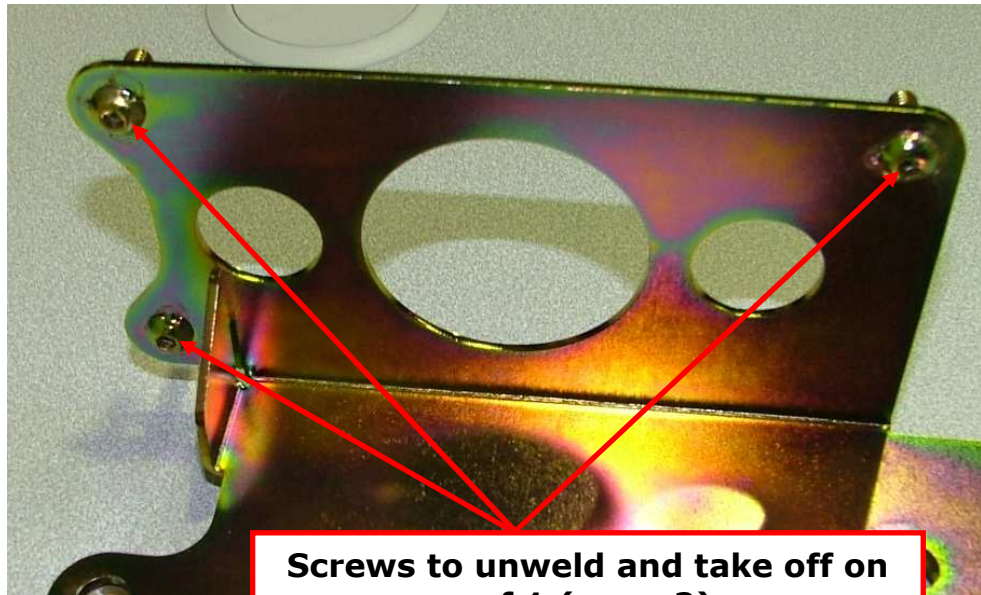
REF	PART NUMBER	QTY	DESCRIPTION
1	3Z9K49084B	1	Reinforced power steering ECU
2	PS93012A10	3	Silent block
3			
4			
5			
6			
7			
8			
9			
10			
11			
12			
13			
14			
15			

POWER STEERING ECU ASSEMBLY

!!!

The power steering ECU needs to be vibration protected. Please follow instructions below to assembly it flexible.

A

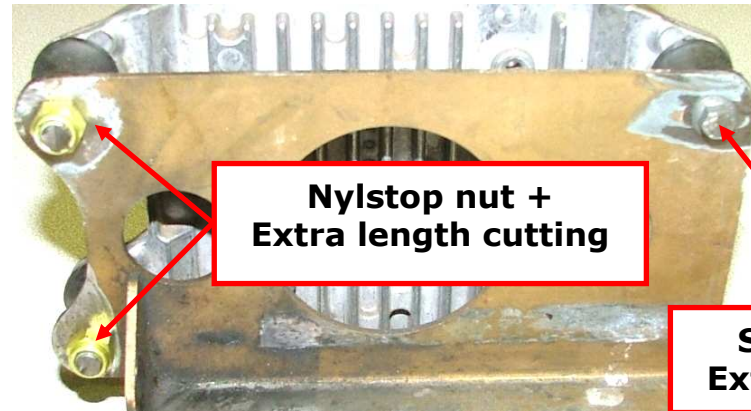


**Screws to unweld and take off on
ref 1 (page 2)**

A

Assembly silent blocks (*ref 2*) on the bracket. Use 2 M6 nylstop nuts for outside, and 1 M6 simmonds for the silent block inside battery bracket (like shown on picture below).

Cut the extra length of each silent block.

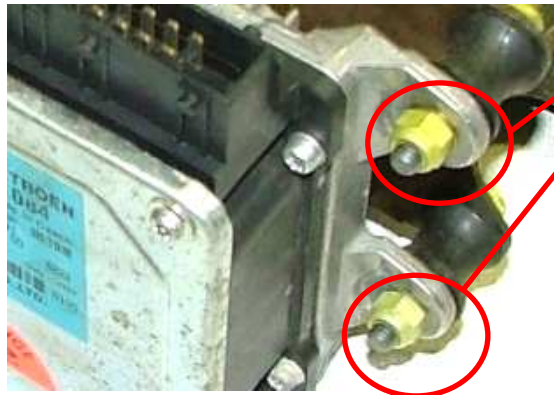


**Nylstop nut +
Extra length cutting**

**Simmonds nut +
Extra length cutting**

A

M6 Self locking nut and D6x12x0.6 onduflex washers



A

Apply one or two coats of 3M protection tape on rectangular connector, for wires close to the master cylinder.

**Wire protection with
3M protection tape.**

