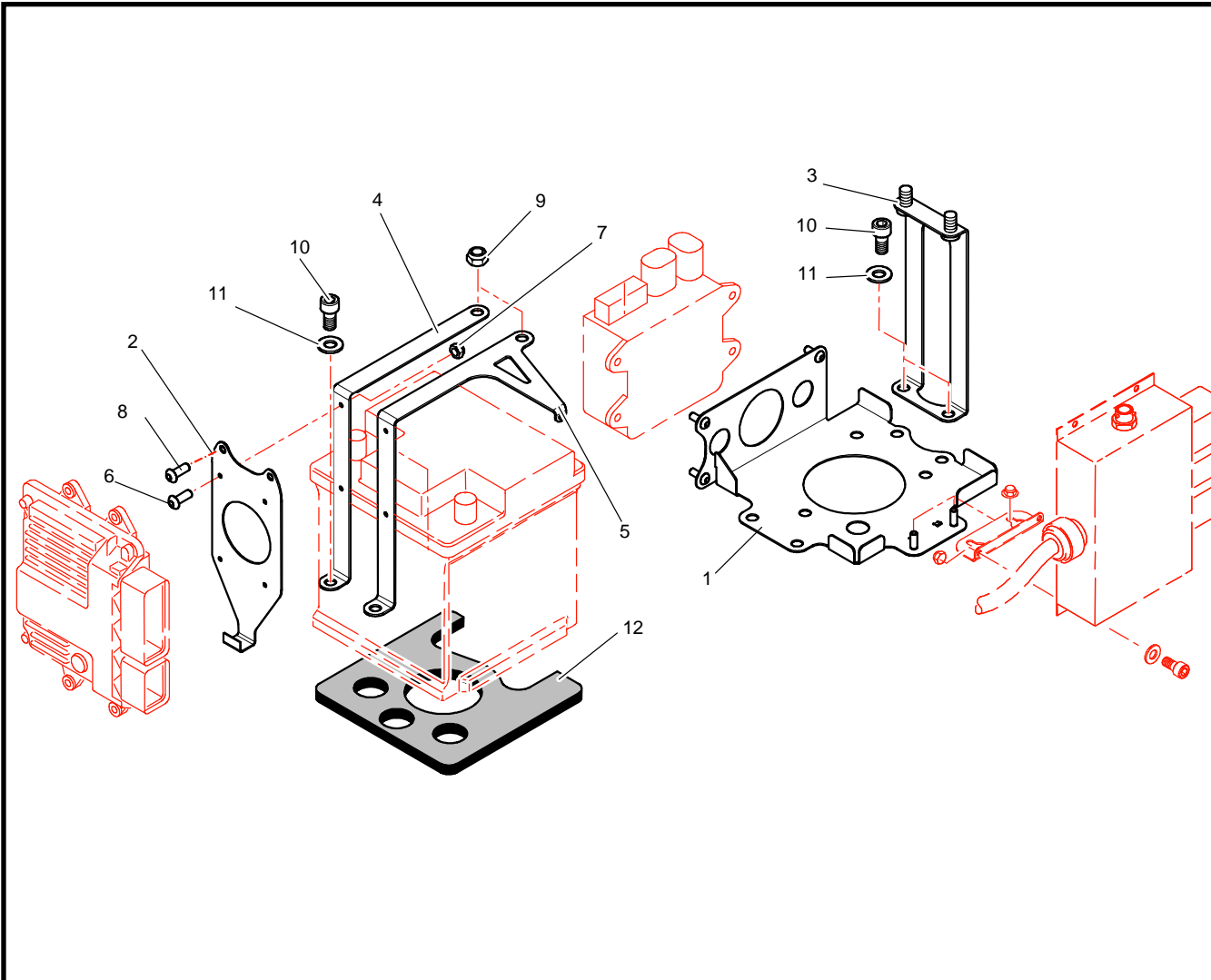


Chapter Z :

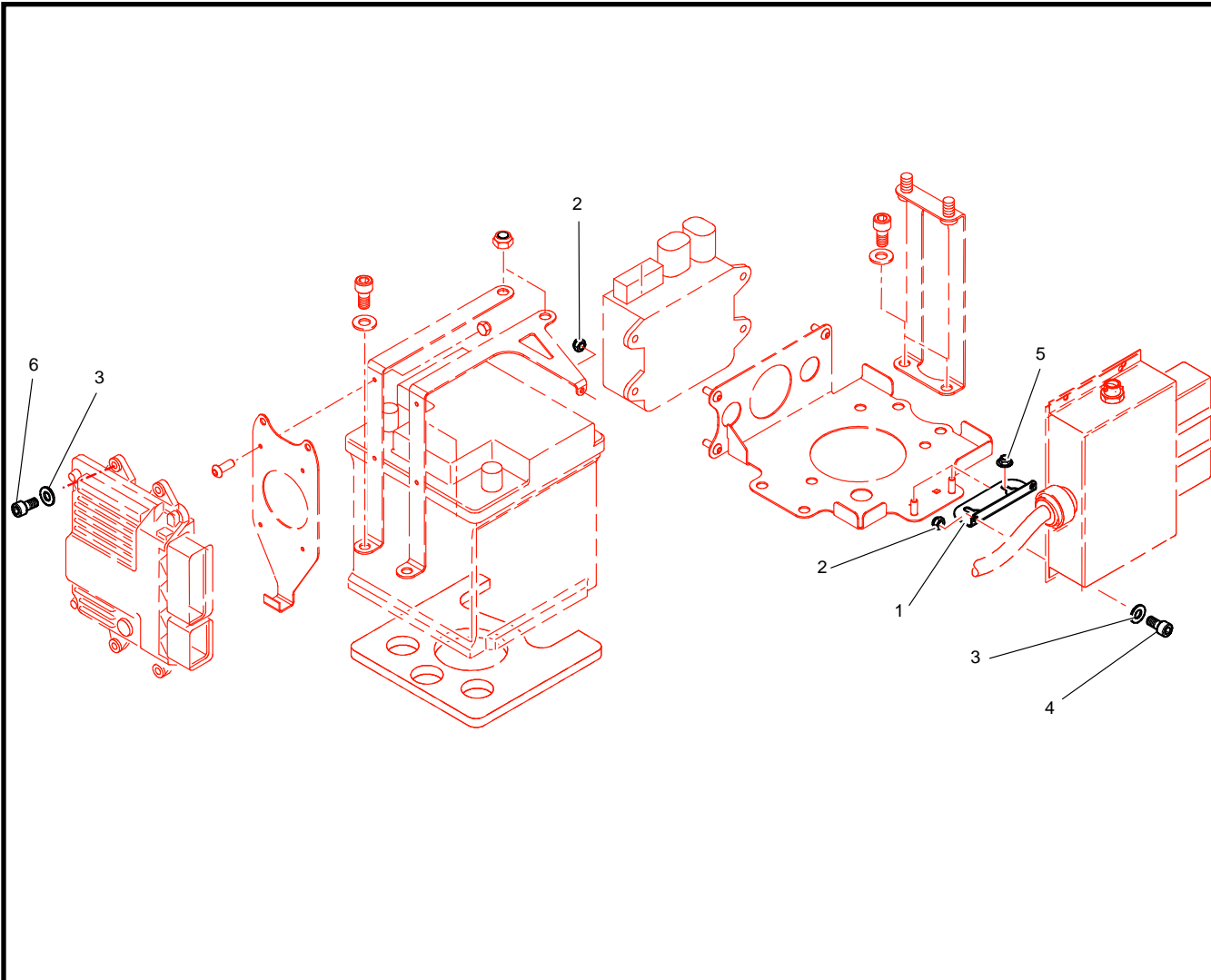
WIRING LOOMS

3Z1 : BATTERY BRACKETS



REF	PART NUMBER	QTY	DESCRIPTION
1	3Z1C61205C	1	Battery box
2	3Z1C61312B	1	SRA ECU mounting
3	3Z1C61320A	1	N°1 Battery bracket
4	3Z1C61321A	1	N°2 Battery bracket
5	3Z1C61322A	1	N°3 Battery bracket
6	CS570030ST	4	M4 L10 ULS screw
7	PS74077A10	4	M4 Self locking nut
8	CS240016ST	2	M5 L12 Rivekle nut
9	PS74021A10	2	M10 H head screw
10	PS84514A10	7	M10 L20 H head screw
11	PS86078A10	7	Ø10x16x1 SPS washer
12	3Z1C61333B	1	Battery spacer
13			
14			
15			

3Z1 : BATTERY BRACKETS



REF	PART NUMBER	QTY	DESCRIPTION
1	3Z1C61323A	1	SRA interface box bracket
2	BCSP693673	3	M5 self locking nut
3	PS86569A10	5	Ø5x8.5x0.6 SPS washer
4	PS82027A10	3	M5 L12 Cl12.9 Alen screw
5	CS230025ST	2	M6 Twolok nut
6	PS82015A10	2	M5 L16 Cl12.9 Alen screw
7			
8			
9			
10			
11			
12			
13			
14			
15			