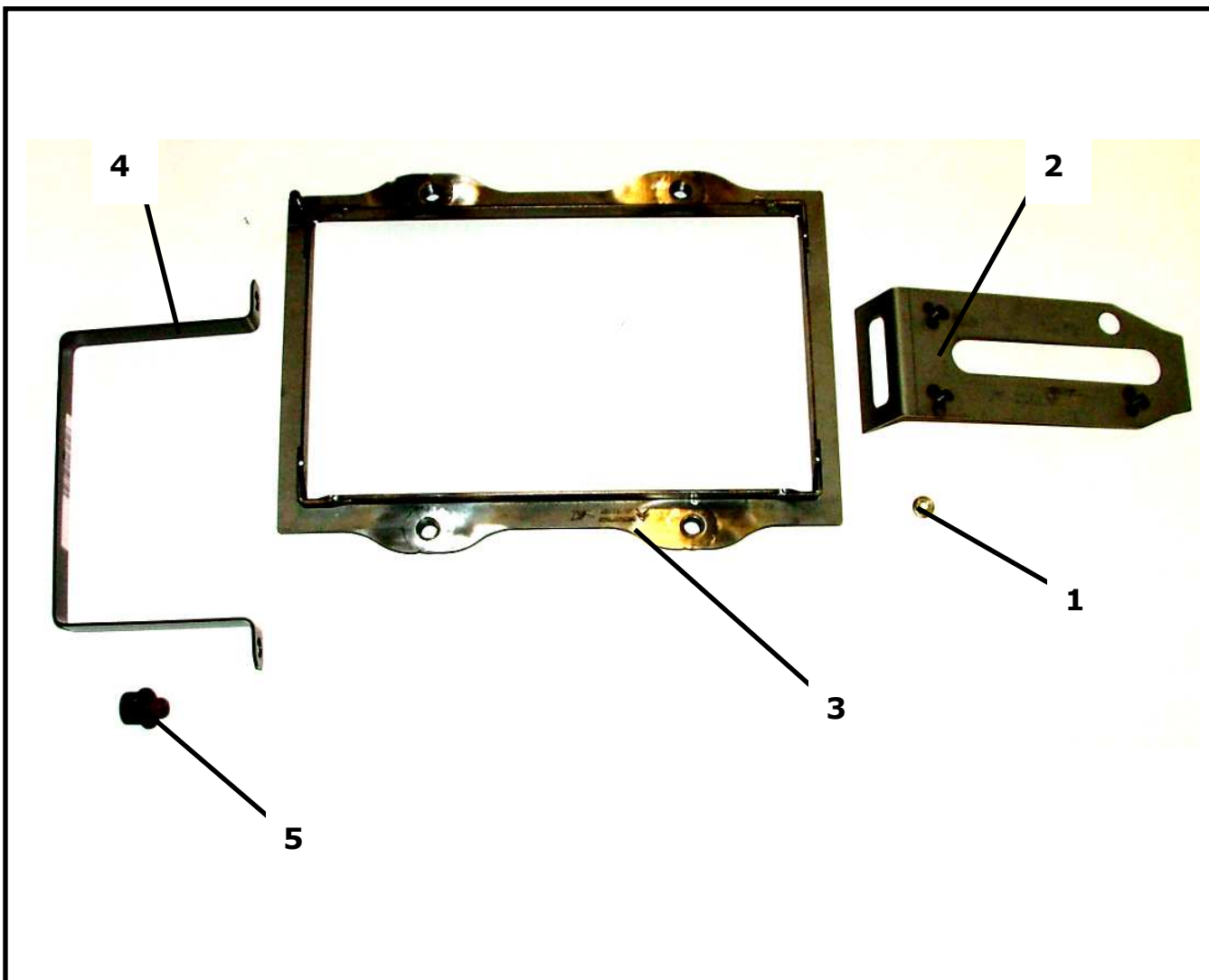


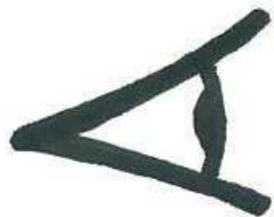
**Z1C : BATTERY AND REAR FUSE BOX MOUNTING (FOR OPTIONAL RACING)**



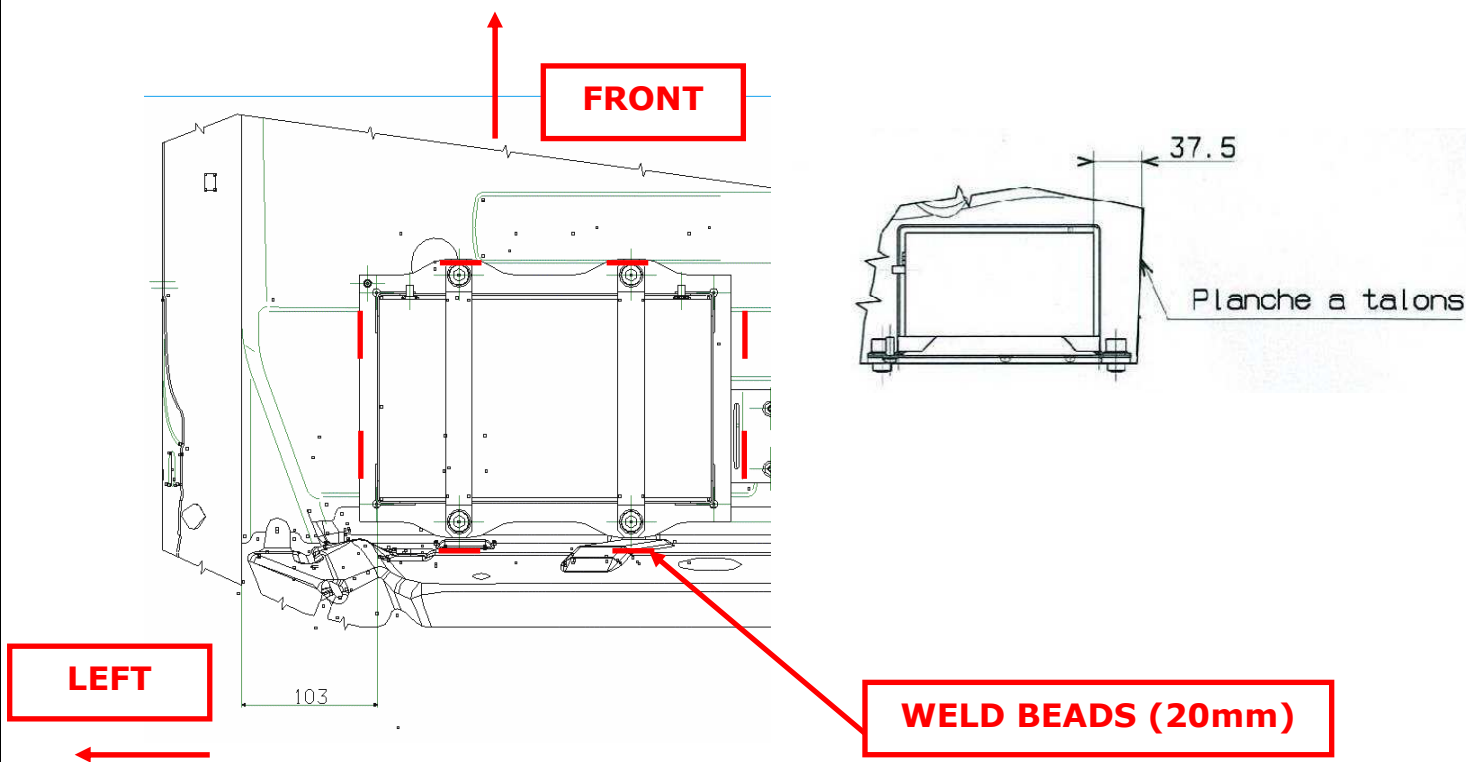
REF	PART NUMBER	QTY	DESCRIPTION
1	BCSP693667	3	M5 collar nut
2	3S3A62830C	1	Rear fuse box mounting
3	3Z1C62786B	1	Battery mounting
4	3Z1C62579B	2	Battery hold down strap
5	BCSP424356	4	M10 L12 cl 10.9 allen screw
6			
7			
8			
9			
10			
11			
12			
13			
14			
15			

**BATTERY AND REAR FUSE BOX MOUNTING ASSEMBLY**

**Battery Mounting**



Weld the battery mounting on the body, behind left seat and like shown on drawing below.



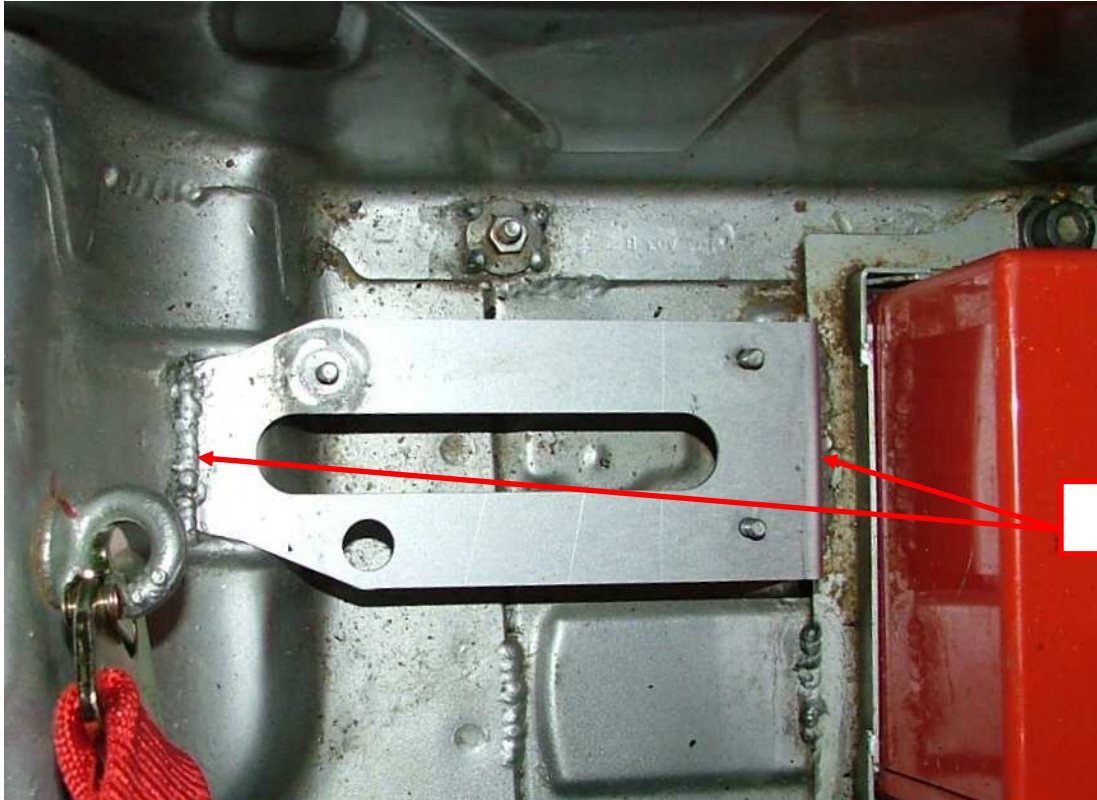
Tig or Mig weldings, 20 mm weld beads (x8)

**Nota :** Use a **SBS 30** battery.

**Rear Fuse box  
bracket**

A

Weld the rear fuse box bracket (*ref 2*) on the floor pan, like shown on picture below



**WELD BEADS**

Tig or Mig  
weldings