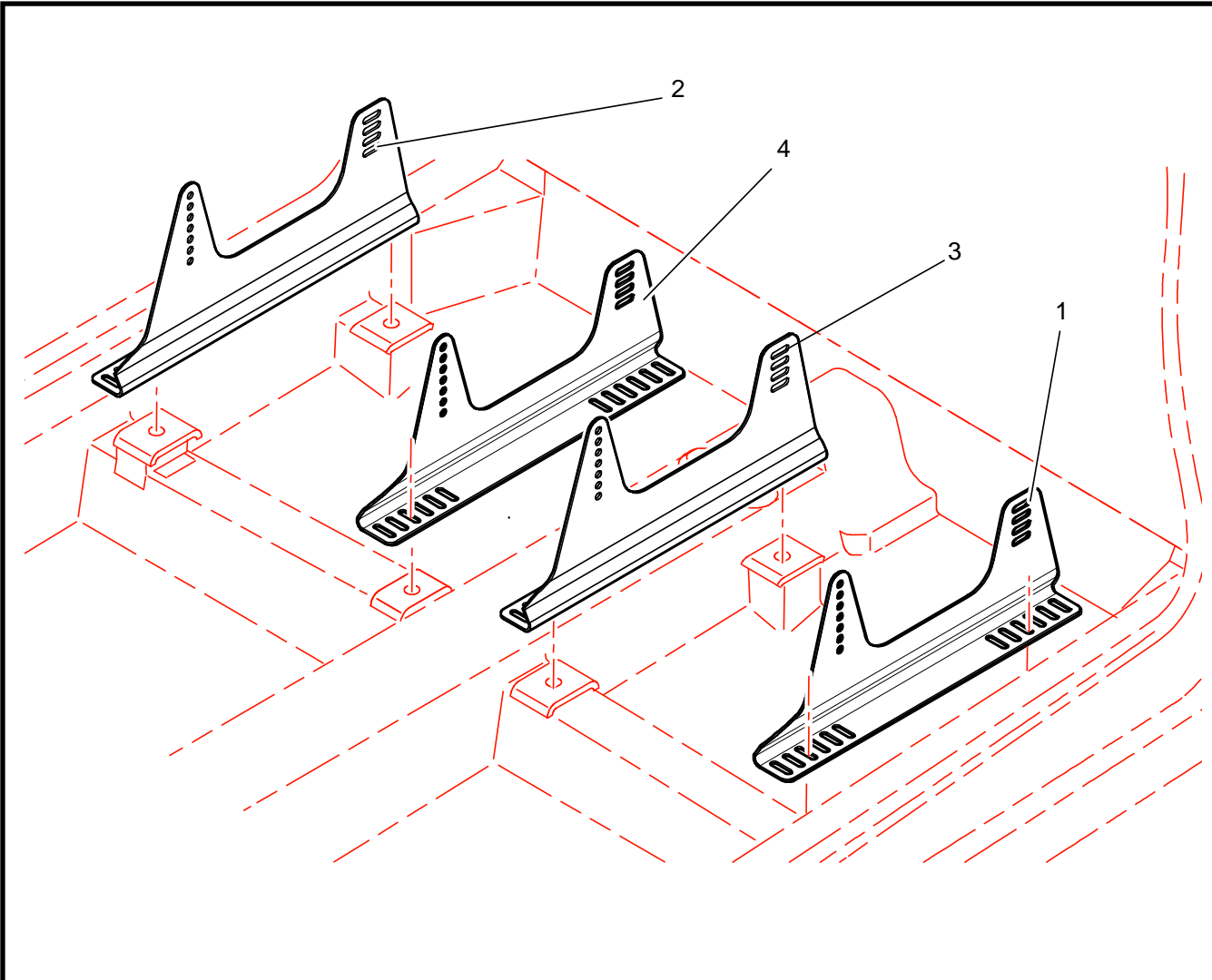


Chapter T :

CREW EQUIPMENT

T5B : SEAT MOUNTINGS



REF	PART NUMBER	QTY	DESCRIPTION
1	3T5B61052C	1	Driver left seat mounting
2	3T5B61053C	1	Driver right seat mounting
3	3T5B61055C	1	Codriver right seat mounting
4	3T5B61056C	1	Codriver left seat mounting
5			
6			
7			
8			
9			
10			
11			
12			
13			
14			
15			

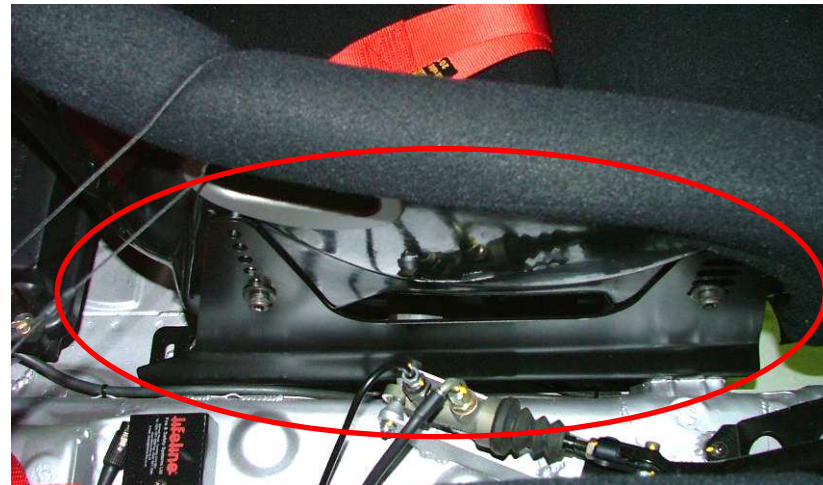
SEAT MOUNTINGS ASSEMBLY

A

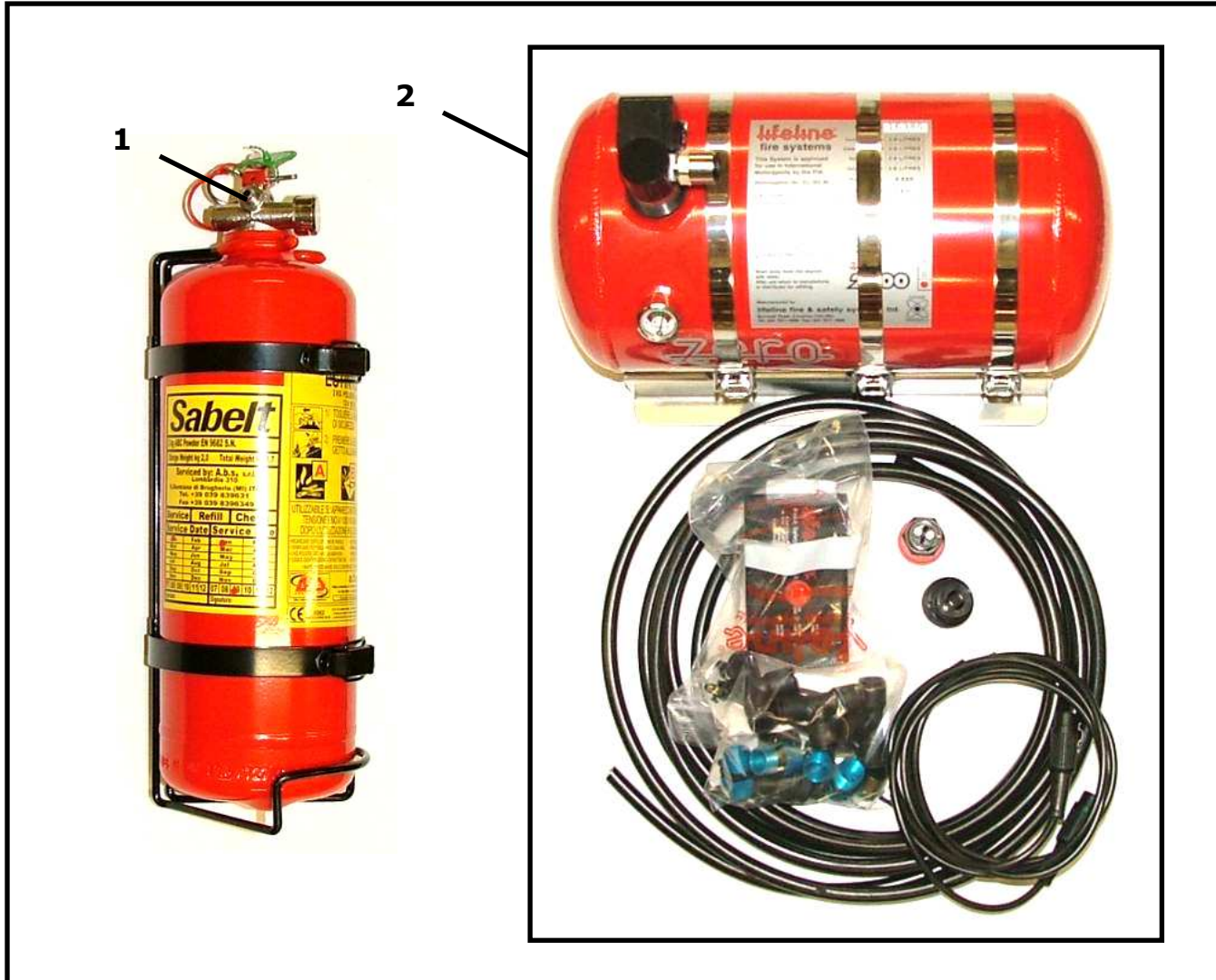
If your bodyshell is equiped of the new steering column bracket, the driver seat is not centered with the steering column.

To center it, use a codriver left seat mounting turned on the oposite side, instead of the driver right seat mounting (as showon the picture below).

Nota : if necessary (it depends of the seat size), use some spacer between the driver left seat mounting and the seat.

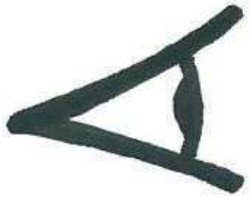


T5B : FIRE EXTINGUISHERS



REF	PART NUMBER	QTY	DESCRIPTION
1	3T5B61352A	1	Aluminium manual fire extinguisher
2	3T5B61353A	1	Automatic fire extinguisher kit
3			
4			
5			
6			
7			
8			
9			
10			
11			
12			
13			
14			
15			

AUTOMATIC FIRE EXTINGUISHER ASSEMBLY

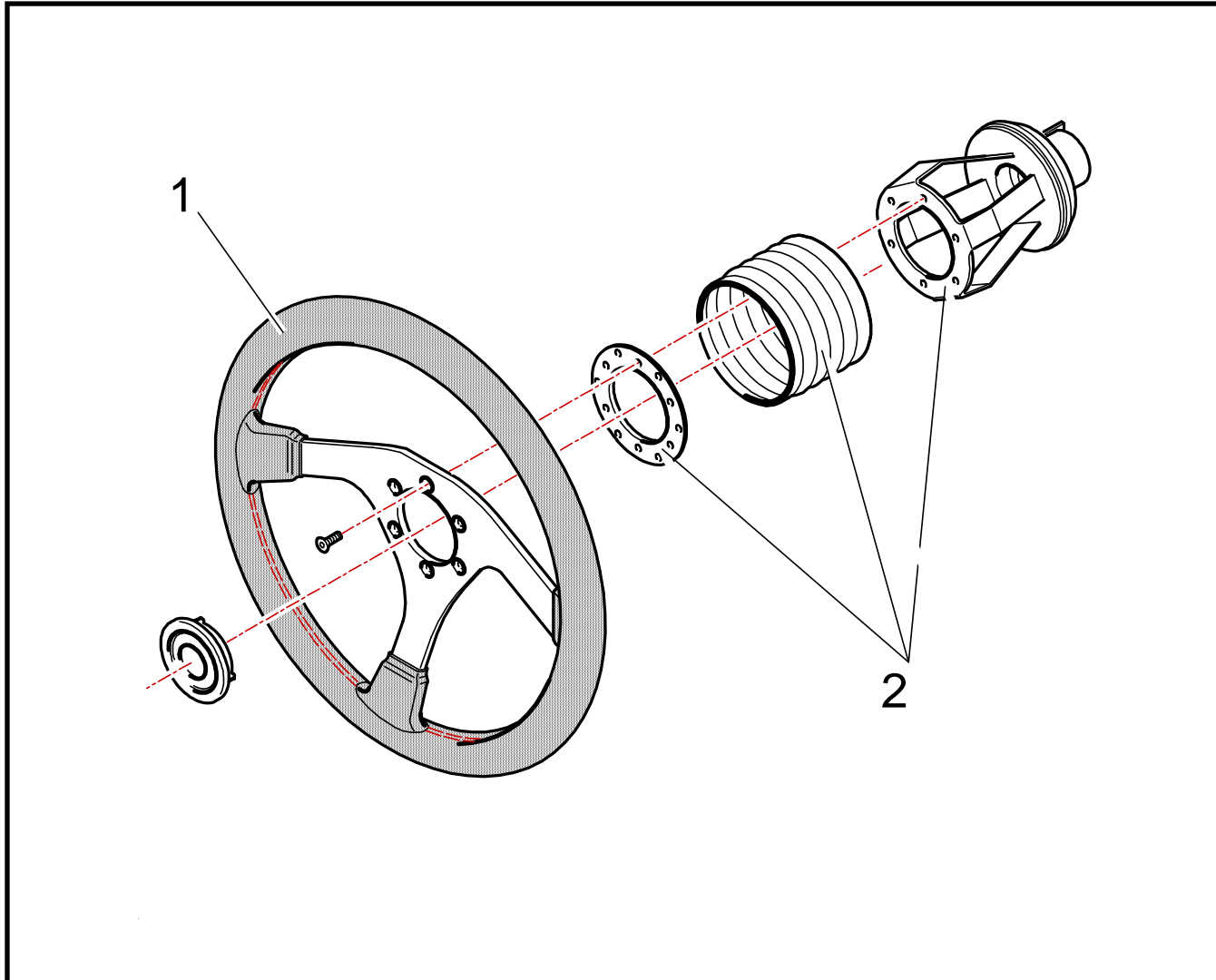


!!! Follow instructions given with the automatic fire extinguisher kit !!!

Spray nuzzles numbers and locations for engine and inside places are

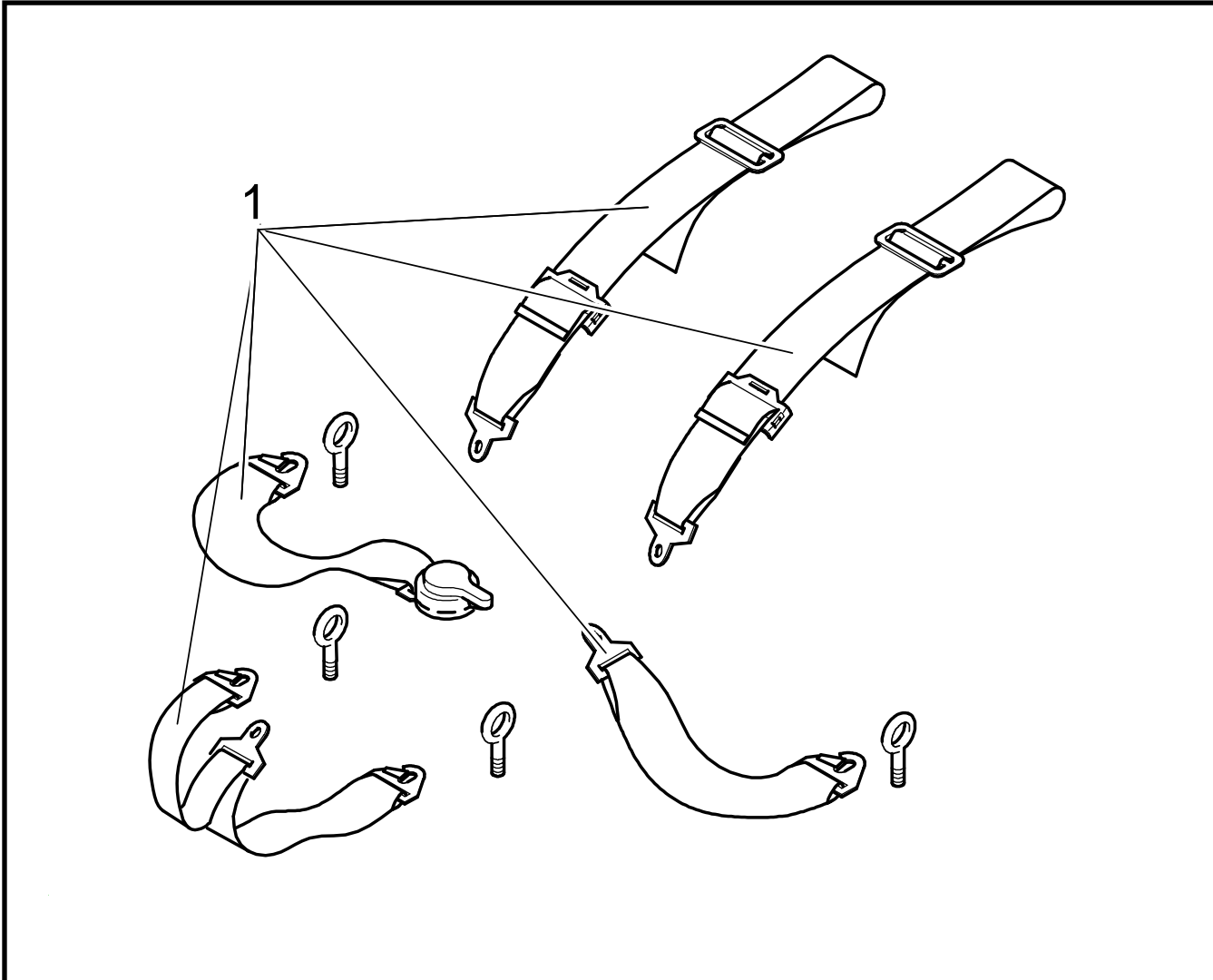
homologated with each automatic fire extinguisher.

T5B : STEERING WHEEL



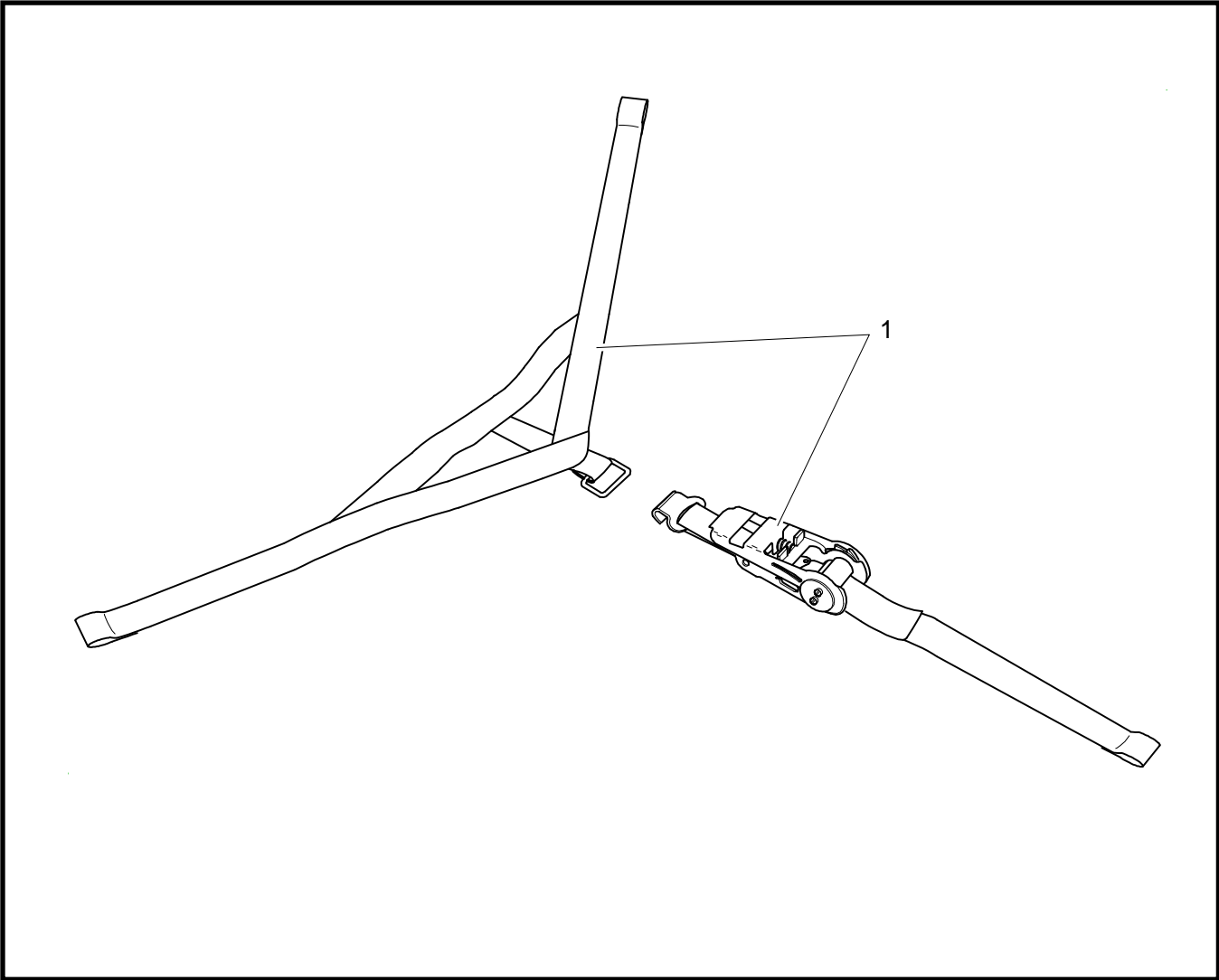
REF	PART NUMBER	QTY	DESCRIPTION
1	3T5B61350A	1	« Corsa » steering wheel
2	3T5B61351A	1	Steering wheel hub
3			
4			
5			
6			
7			
8			
9			
10			
11			
12			
13			
14			
15			

T5B : SAFETY BELT



REF	PART NUMBER	QTY	DESCRIPTION
1	3T5B61354A	2	Sabelt 6 points safety belt
2			
3			
4			
5			
6			
7			
8			
9			
10			
11			
12			
13			
14			
15			

T5B : SPARE WHEEL TIE DOWN STRAP



REF	PART NUMBER	QTY	DESCRIPTION
1	3T5B61356A	1	Spare wheel tie down loading strap
2			
3			
4			
5			
6			
7			
8			
9			
10			
11			
12			
13			
14			
15			