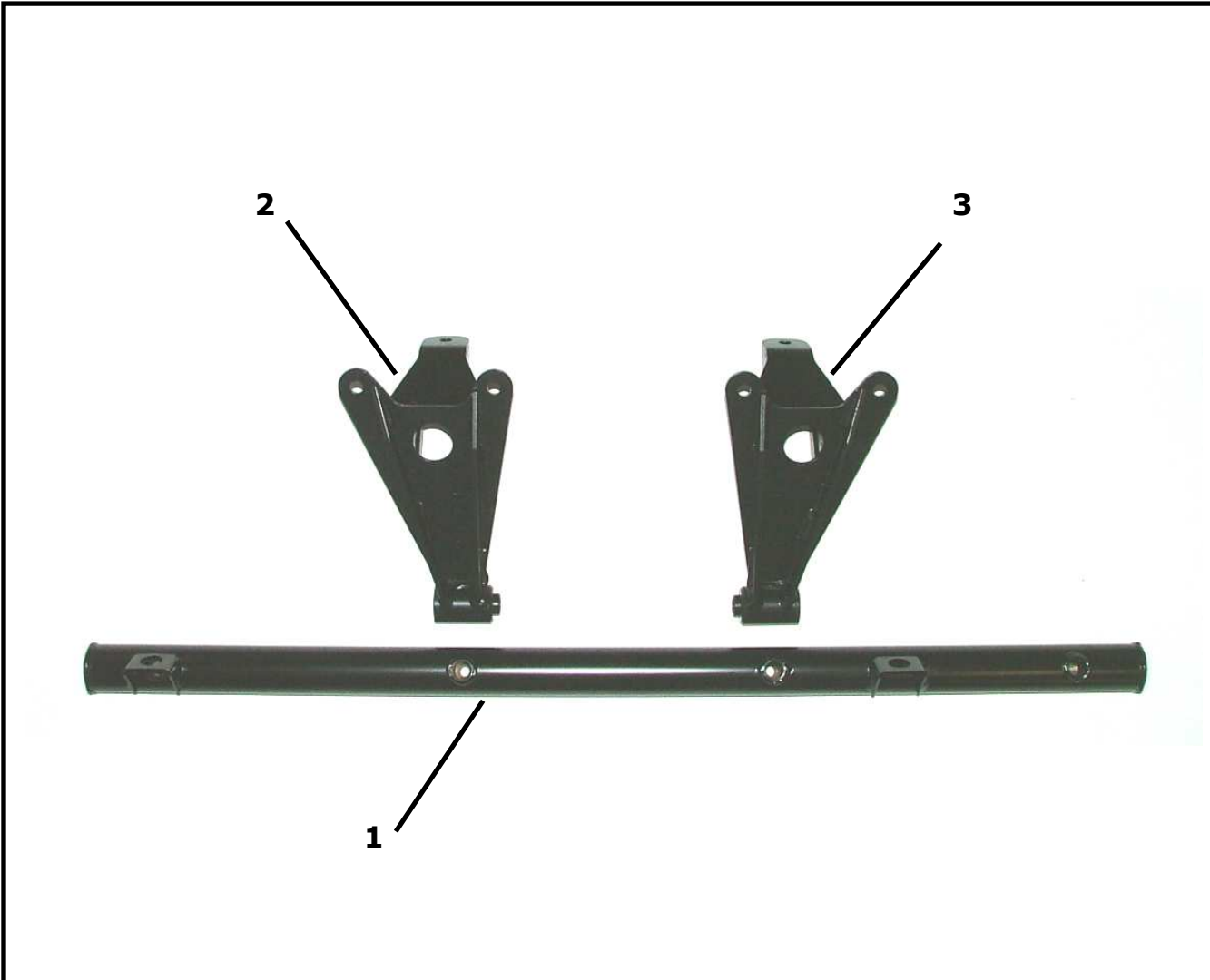




K3D : FRONT END



REF	PART NUMBER	QTY	DESCRIPTION
1	3K3D61031C	1	Low front crossmember
2	2K3D62773A	1	Right low front crossmember reinforcement
3	2K3D62774A	1	Left low front crossmember reinforcement
4			
5			
6			
7			
8			
9			
10			
11			
12			
13			
14			
15			

FRONT LOW CROSSMEMBER ASSEMBLY

	Crossmember / reinforcement screw torque	6.5 m.kg + Loctite 270
	Reinforcement / body screw torque	3 m.kg + Loctite 242