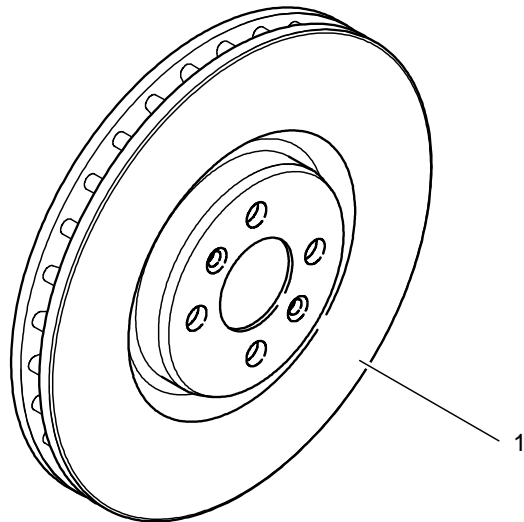


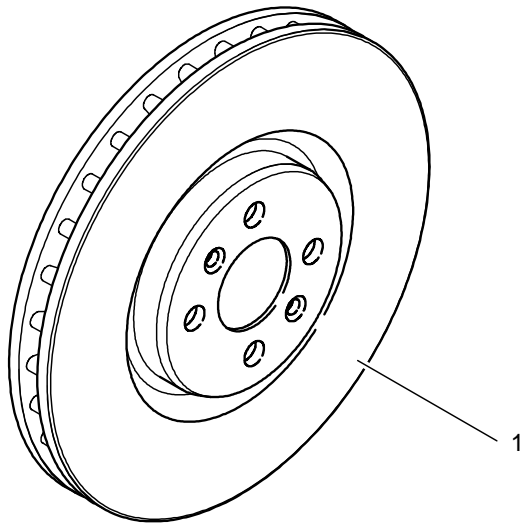
Chapter F :

BRAKES

F11 : TARMAC FRONT DISCS

REF	PART NUMBER	QTY	DESCRIPTION
1	9647186480	2	Ø 302x26 Tarmac front disc
2			
3			
4			
5			
6			
7			
8			
9			
10			
11			
12			
13			
14			
15			

F11 : GRAVEL FRONT DISCS



REF	PART NUMBER	QTY	DESCRIPTION
1	BCSP4246W8	2	Ø 283x26 Gravel front disc
2			
3			
4			
5			
6			
7			
8			
9			
10			
11			
12			
13			
14			
15			