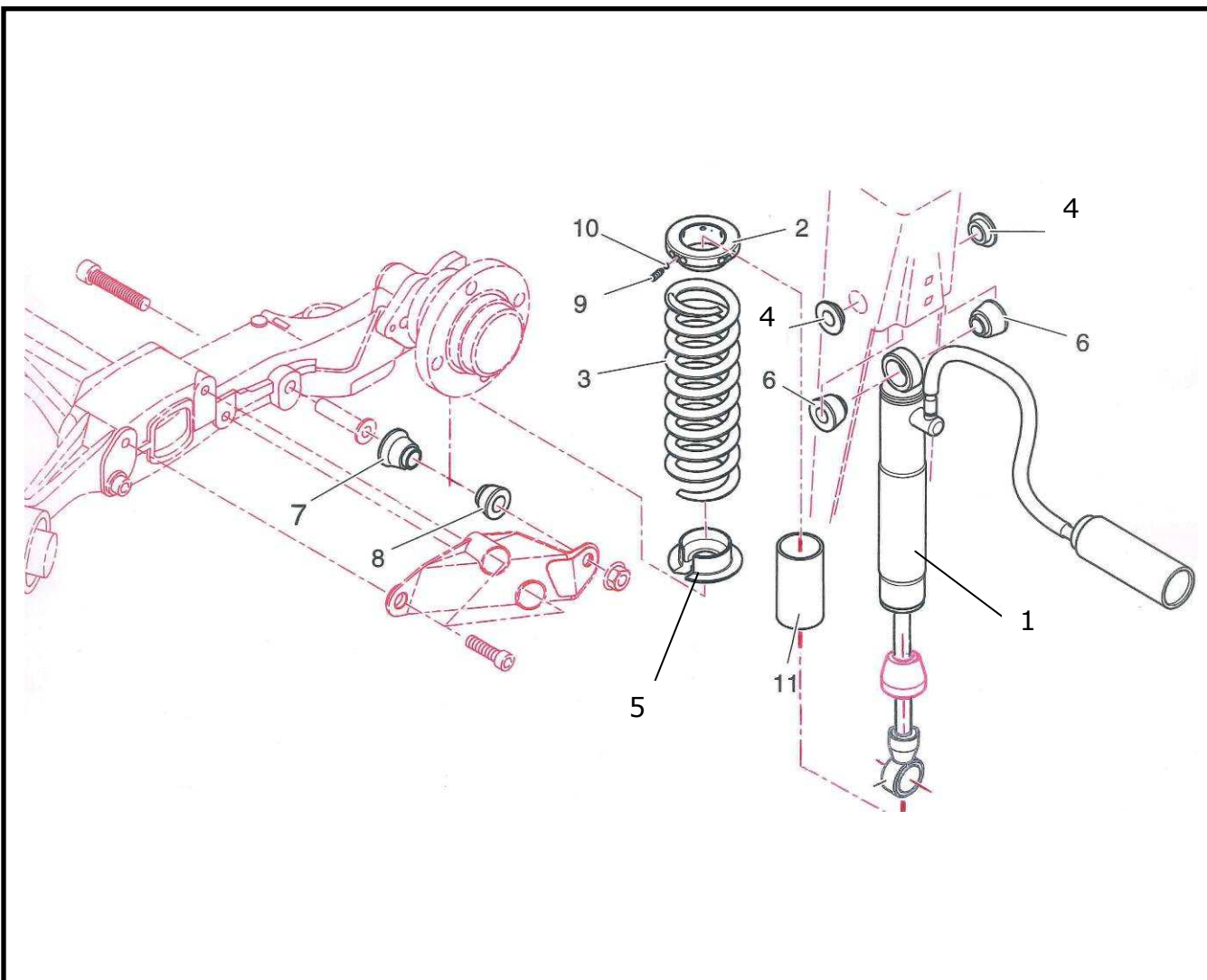



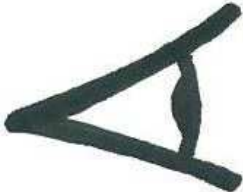


E25 : REAR SHOCKS (Tarmac)


REF	PART NUMBER	QTY	DESCRIPTION
1	1E2561435A	2	Rear tarmac shock
2	1E2561044E	2	Rear shock top cup
3	1E2561330A	2	Rear shock spring 44 N/mm
4	1E2561383A	4	Top shock positioner
5	1E2561374C	2	Rear shock low cup
6	1E2561030B	4	Rear shock top spacer
7	1E2561008D	2	Rear shock inside low spacer
8	1E2561009E	2	Rear shock outside low spacer
9	PS82505A10	1	Headless M6 L6 alen screw
10	CS740002ST	1	ø5 plastic ball
11	1E2561379B	2	Spring positioner
12			
13			
14			
15			

REAR SHOCKS ASSEMBLY

<p>!!!</p>	<p>Never disassemble the foot of the shock. The gaz and the oil will leak, and the shock will be unserviceable.</p> <p>If you want to change the bump stop, you have to send us your shocks for a rebuilt time.</p>	
	<p>Headless screw (<i>ref 9</i>) apply pressure on plastic ball (<i>ref 10</i>) and on shock body thread. Torque needs to be minimal, the function is just to restrain any movement of the top cup.</p>	
	<p>Shock / body screw torque</p>	<p>5.5 m.kg</p>
	<p>Shock / arm screw torque</p>	<p>10 m.kg</p>
	<p>Fit the shock oil tank as shown on the picture below :</p>	



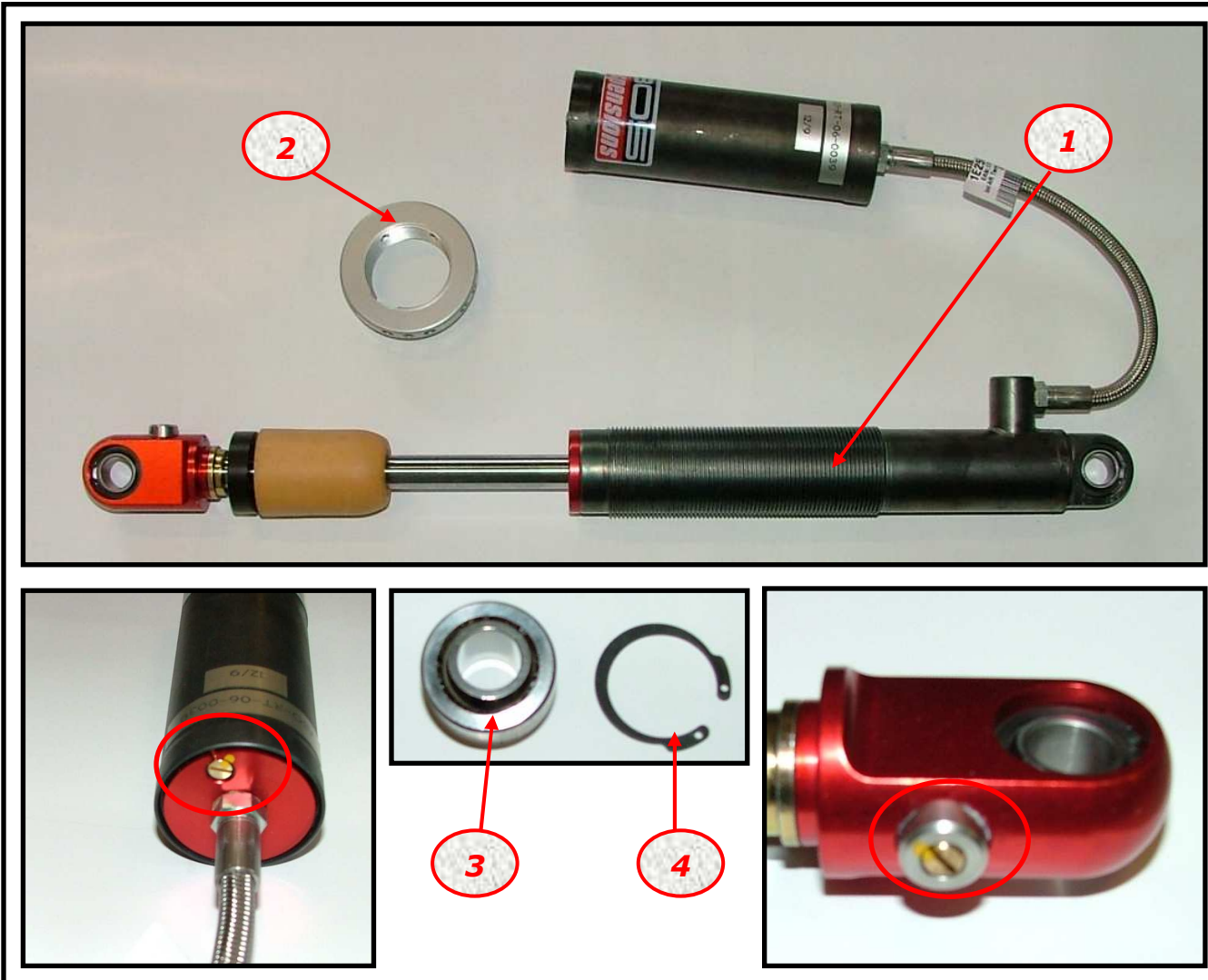
!!! Pay attention to use « king size » T.rap !!!



Cup height measurement :



E25 : REAR ADJUSTABLE TARMAC SHOCKS (OPTION)



REF	PART NUMBER	QTY	DESCRIPTION
1	1E2562765A	2	Rear adjustable tarmac shock
2	1E2561044E	2	Top spring cup
3	PS88513A10	4	Rear shock uniball joint
4	PS72068A10	8	Rear shock clips
5			
6			
7			
8			
9			
10			
11			
12			
13			
14			
15			

REAR ADJUSTABLE TARMAC SHOCKS ASSEMBLY

A

Follow instructions to fit a standard rear shock.

A

Cut off the rear wheelhouse panel all around the shock oil tank, to let the adjusting screw free to be adjusted.

Clics : The operation is the same than the front.

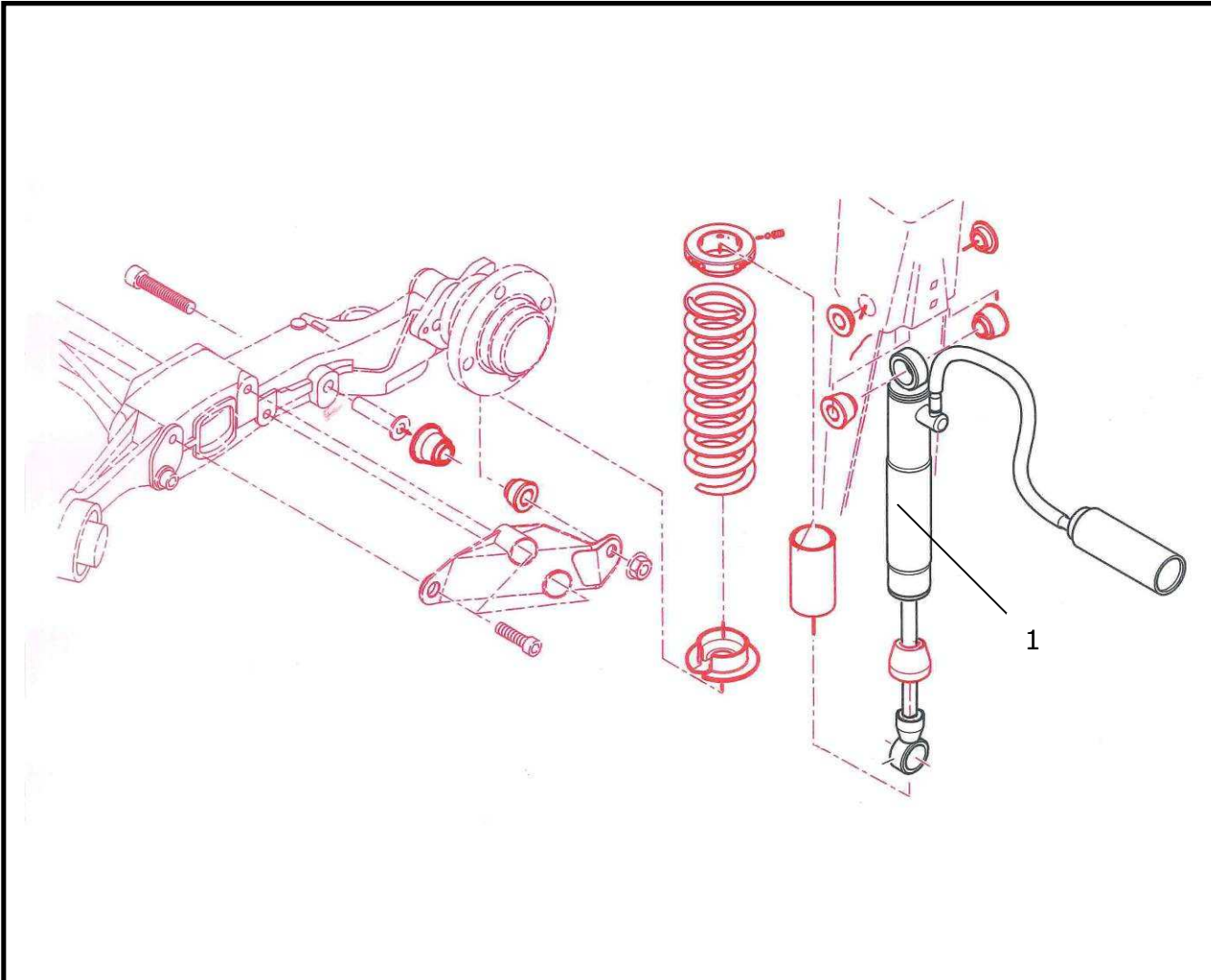
Bump : Like the front, the adjusting screw is on the shock oil tank.

Rebound : A screw on the feet of the shock, as shown on the picture below :



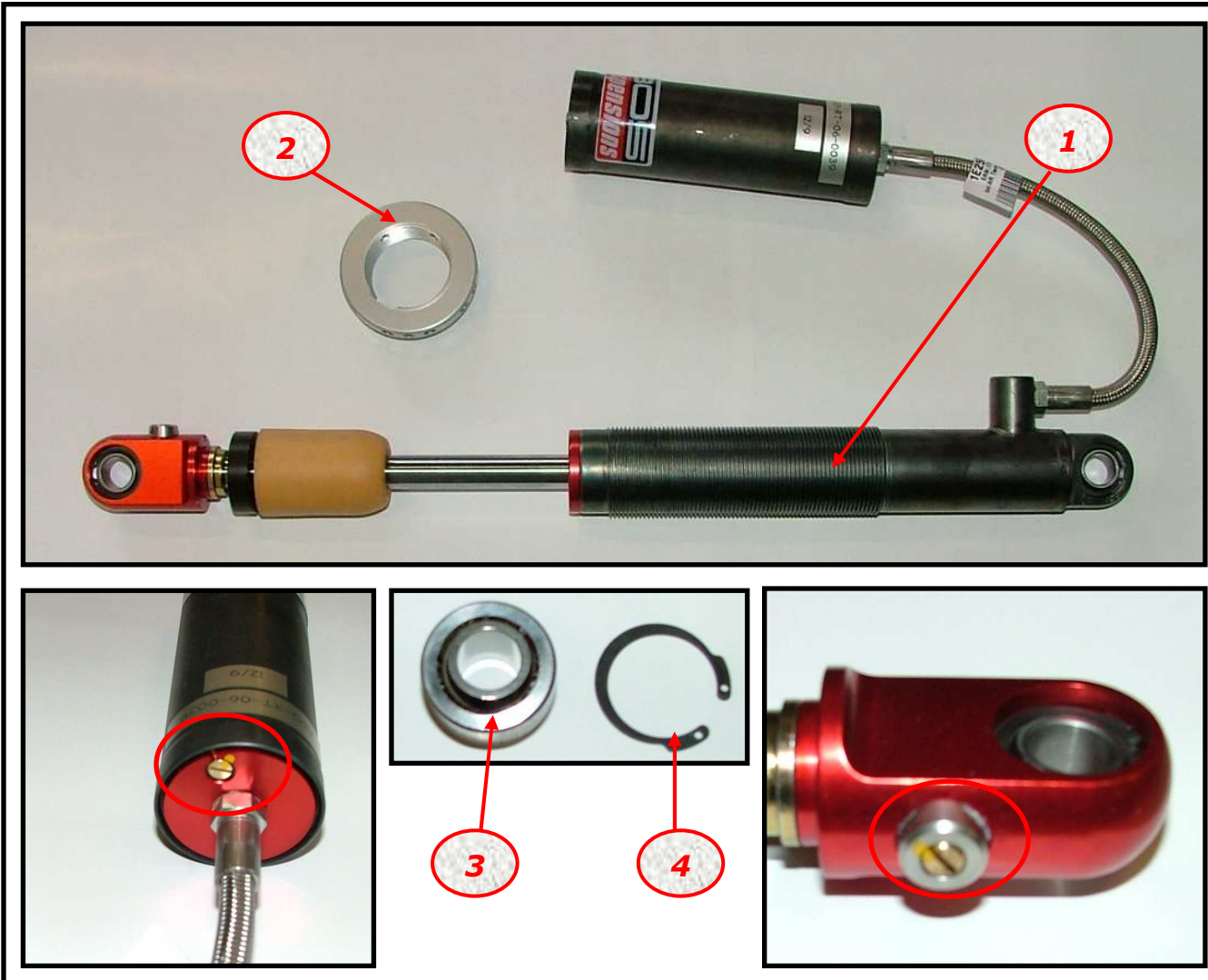
Rebound : 6 clics / rev

E25 : REAR SHOCKS (Gravel)



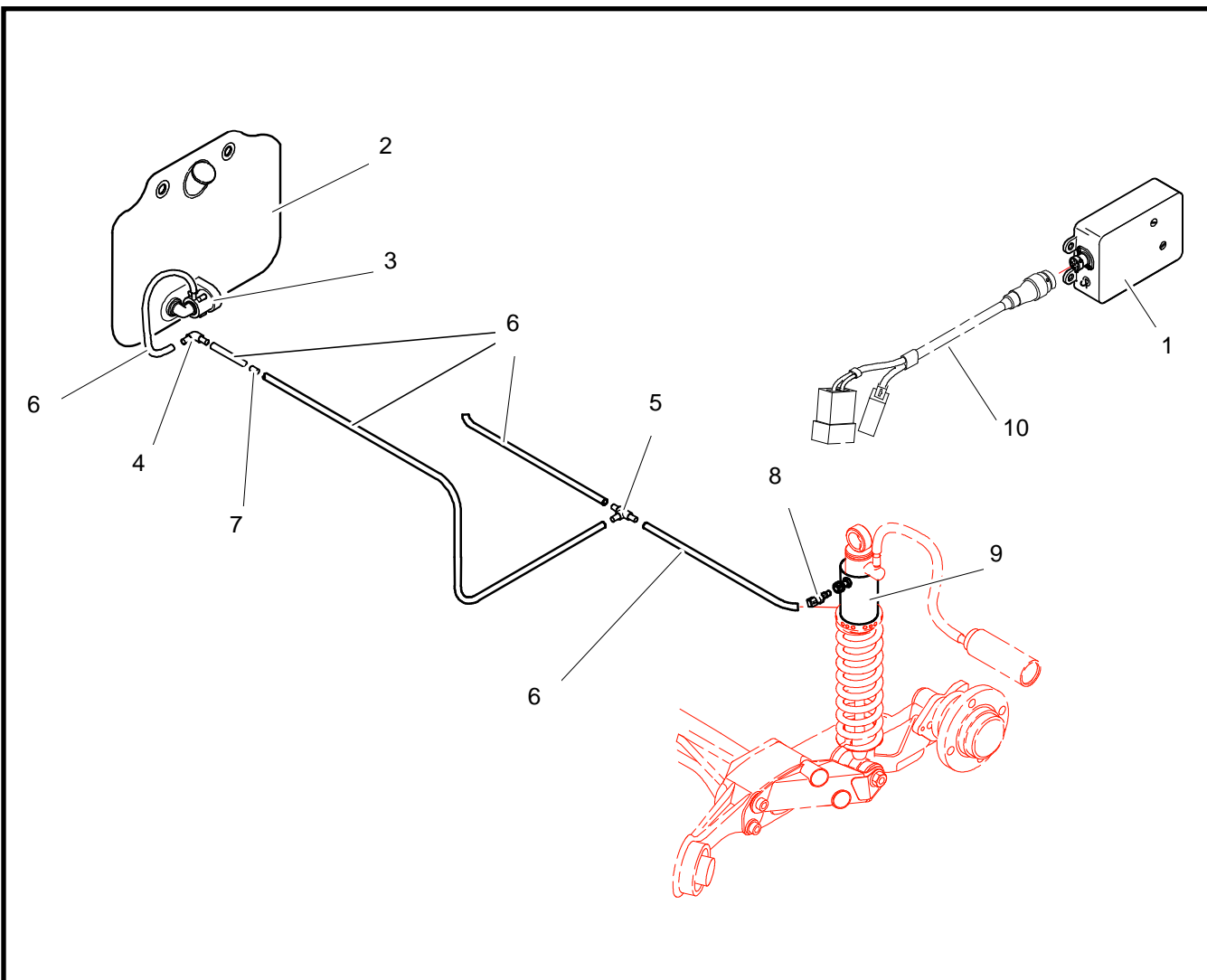
REF	PART NUMBER	QTY	DESCRIPTION
1	1E2561424A	2	Rear gravel shock
2			
3			
4			
5			
6			
7			
8			
9			
10			
11			
12			
13			
14			
15			

E25 : REAR ADJUSTABLE GRAVEL SHOCKS (OPTION)



REF	PART NUMBER	QTY	DESCRIPTION
1	1E2562766A	2	Rear adjustable tarmac shock
2	1E2561044E	2	Top spring cup
3	PS88513A10	4	Rear shock uniball joint
4	PS72068A10	8	Rear shock clips
5			
6			
7			
8			
9			
10			
11			
12			
13			
14			
15			

E25 : REAR SHOCKS COOLING (Gravel)



REF	PART NUMBER	QTY	DESCRIPTION
1	3Z9K42665A	1	Timer unit box
2	PS63621A10	1	Water bag
3	BCSP036331	1	Check valve
4	CS410005ST	1	« L » type coupling
5	CS410006ST	1	« T » type coupling
6	BCSP643950	1	Hose
7	PS73015A10	1	Restrictor
8	1E2561375A	2	1/8 BSP nut
9	1E2561372A	1	Right cooling sleeve
9	1E2561373A	1	Left cooling sleeve
10	3Z9K42666A	1	Timer unit box loom

Nota : If you use the optional racing loom kit (Part Number A6 R2-Z000.Opt.06), don't order ref 1 and 10.

REAR SHOCK COOLING ASSEMBLY

A

Fit the cooling sleeve on the shock with a rilsan, and seal it all around the shock with silicon, as shown on the picture below.

The water will go up, and be drained by the top. This way the cooling will be efficient.

