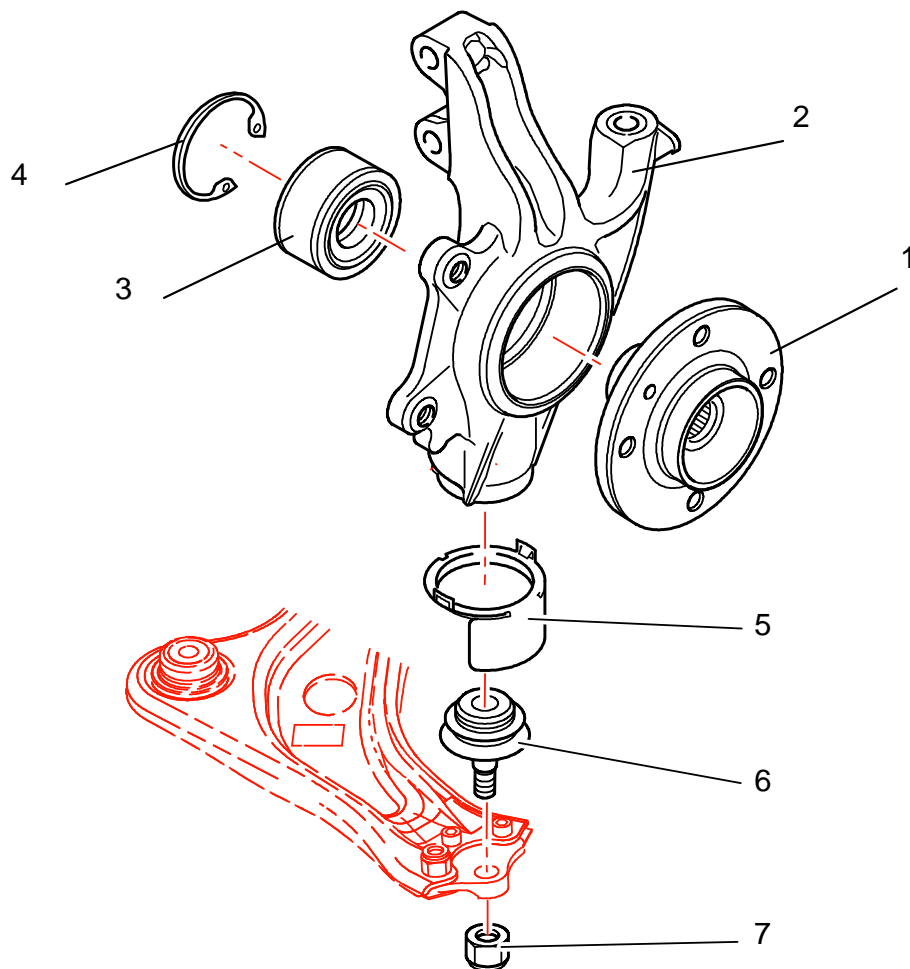





E13 : FRONT UP-RIGHT

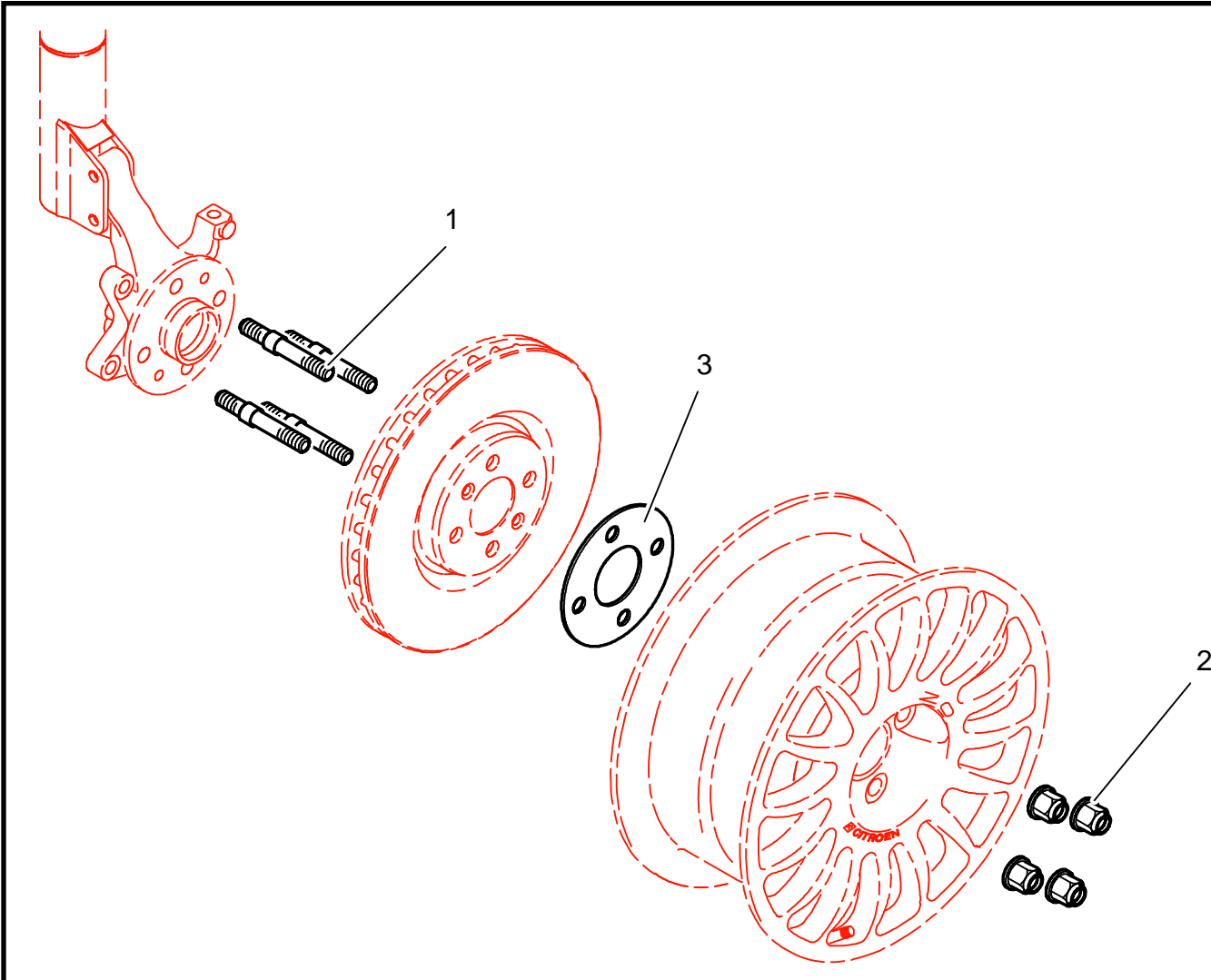


REF	PART NUMBER	QTY	DESCRIPTION
1	9658514080	2	Front wheel hub
2	9641242780	1	Right naked front up-right
2	9641242680	1	Left naked front up-right
3	9632549380	2	SKF wheel bearing
4	BCSP334535	2	Bearing clips
5	BCSP362313	2	Up-right ball protection
6	BCSP364060	2	Up-right ball
7	BCSP693951	2	M14 self locking nut
8			
9			
10			
11			
12			
13			
14			

FRONT UP-RIGHT ASSEMBLY



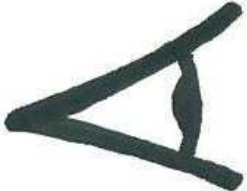
	<p>!!! Apply generously some Loctite on front up-right ball threads !!!</p>	<p>Loctite 270</p>
	<p>Front up-right ball torque Use Facom NK41L tool.</p>	<p>23 m.kg</p>
	<p>Up-right ball nut torque Use brand new self locking nut each time.</p>	<p>5 m.kg</p>

E13 : FRONT UP-RIGHT



REF	PART NUMBER	QTY	DESCRIPTION
1	1EXX23452A	8	L 65 wheel stud
1	1EXX23453A	8	L 85 wheel stud
2	1EXX27791A	8	Wheel nut
3	1E1361135A	2	5 mm wheel spacer
4			
5			
6			
7			
8			
9			
10			
11			
12			
13			
14			

FRONT WHEEL STUD ASSEMBLY

	<p>Wheel stud torque</p> <p>L 65 mm = Tarmac</p> <p>L 85 mm = Gravel</p> <p>Apply some copper grease on threads, to nut location.</p>	<p>11 m.kg + Loctite 242</p> <p>Copper grease</p>
	<p>Wheel nut torque</p>	<p>9 m.kg</p>
	<p>!!! Wheel spacers (ref 3) must be used on gravel !!!</p>	