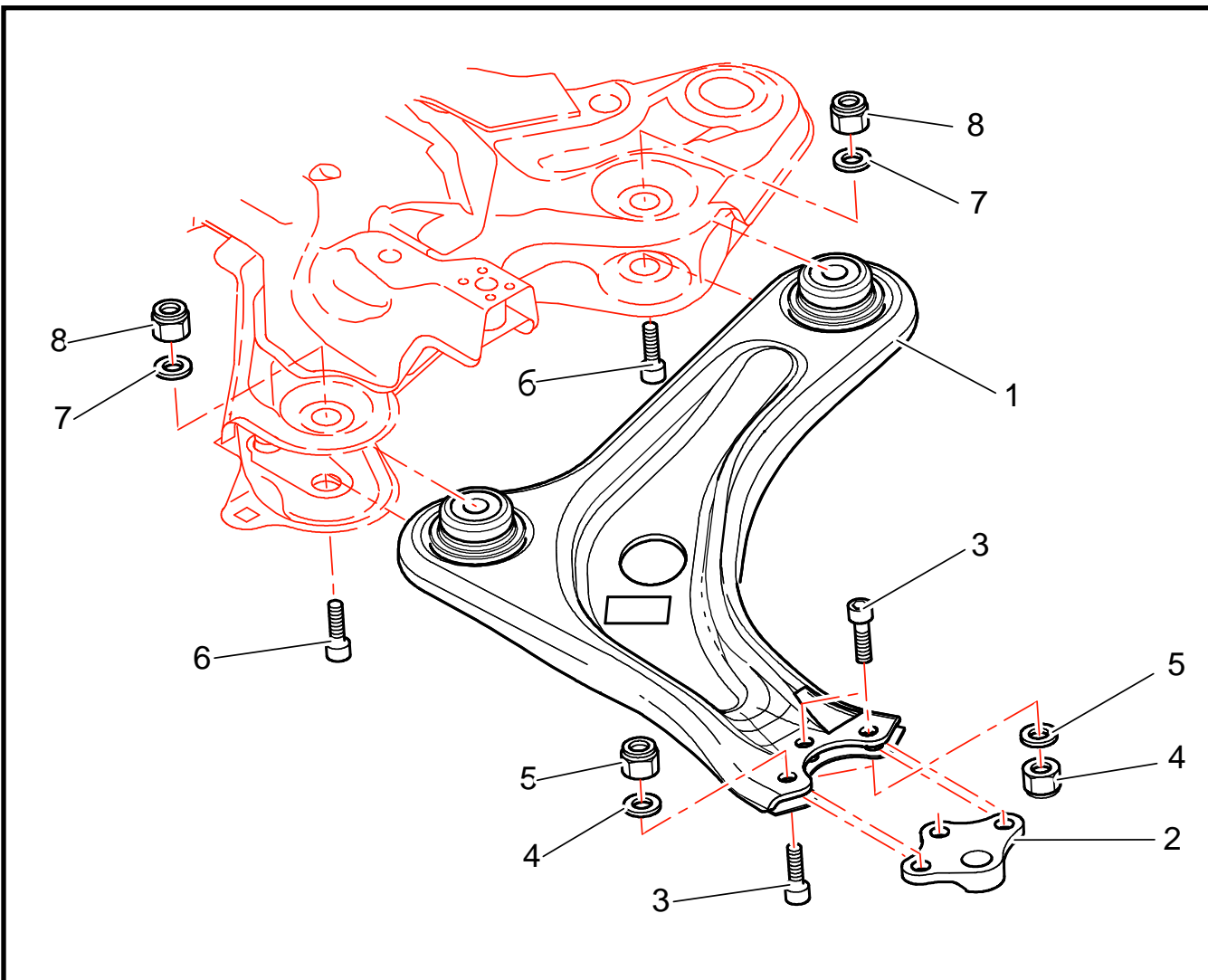




**E12 : FRONT WISHBONES**



REF	PART NUMBER	QTY	DESCRIPTION
1	1E1261184B	1	Right reinforced front wishbone
1	1E1261185B	1	Left reinforced front wishbone
2	1E1261147D	1	Right wishbone end
2	1E1261148D	1	Left wishbone end
3	PS82008A10	6	M10 L30 allen screw
4	BCSP694616	6	Ø10x18x2 washer
5	PS74527A10	6	M10 self locking nut
6	CS530143ST	4	M14 L80 CI12.9 allen screw
7	CS440034ST	4	Ø14x21x1.2 SPS washer
8	CS250013ST	4	M14 self locking nut
9			
10			
11			
12			
13			

**FRONT WISHBONE ASSEMBLY**

	<p>Wishbone / subframe screws torque (ref 6)</p> <p>Use brand new self locking nuts</p>	<p><b>16</b> m.kg</p>
	<p>Wishbone end / wishbone screws torque (ref 3)</p> <p>Use brand new self locking nuts</p>	<p><b>6</b> m.kg</p>