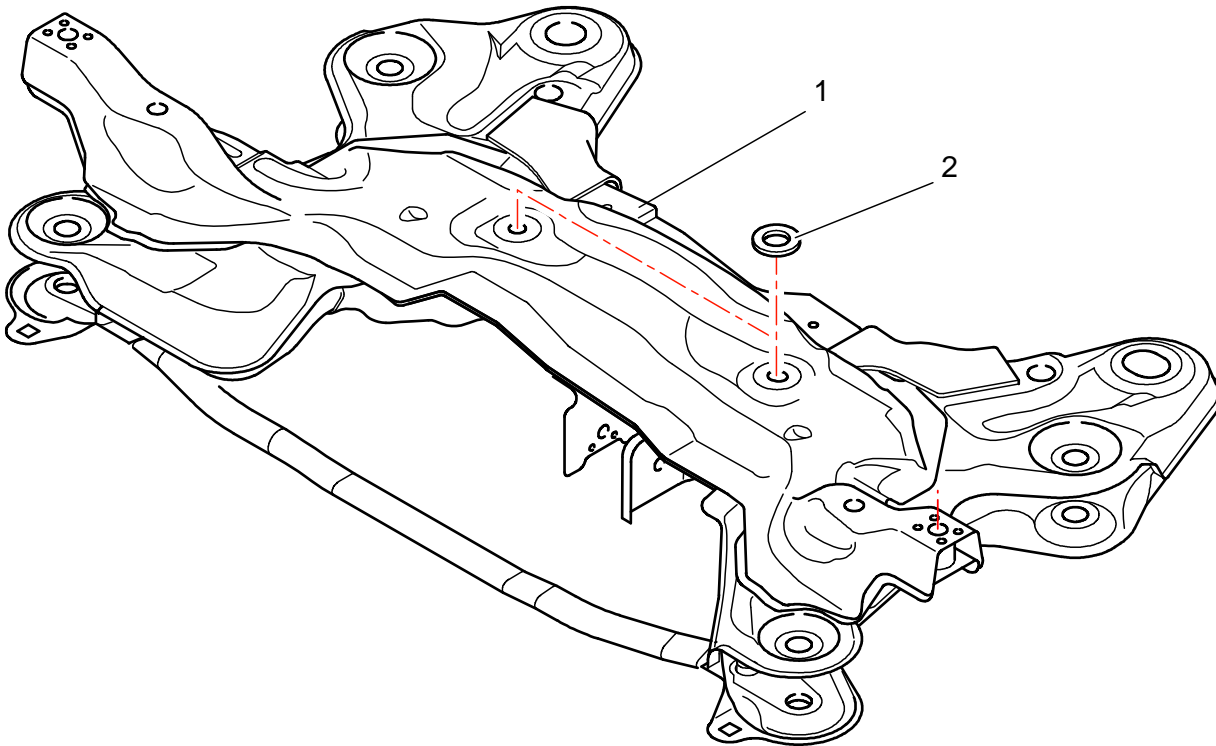


Chapter E :

FRONT & REAR AXLE



SUSPENSIONS

E11 : SUBFRAME



REF	PART NUMBER	QTY	DESCRIPTION
1	1E1161441F	1	Subframe
2	1E1161154A	2	Steering rack spacer
2			
3			
4			
5			
6			
7			
8			
9			
10			
11			
12			
13			
14			

SUBFRAME ASSEMBLY

	Subframe screws torque (!!! USE STANDARD SUBFRAME SCREWS !!!)	10 m.kg
	Steering rack screws torque	6.5 m.kg + Loctite 242