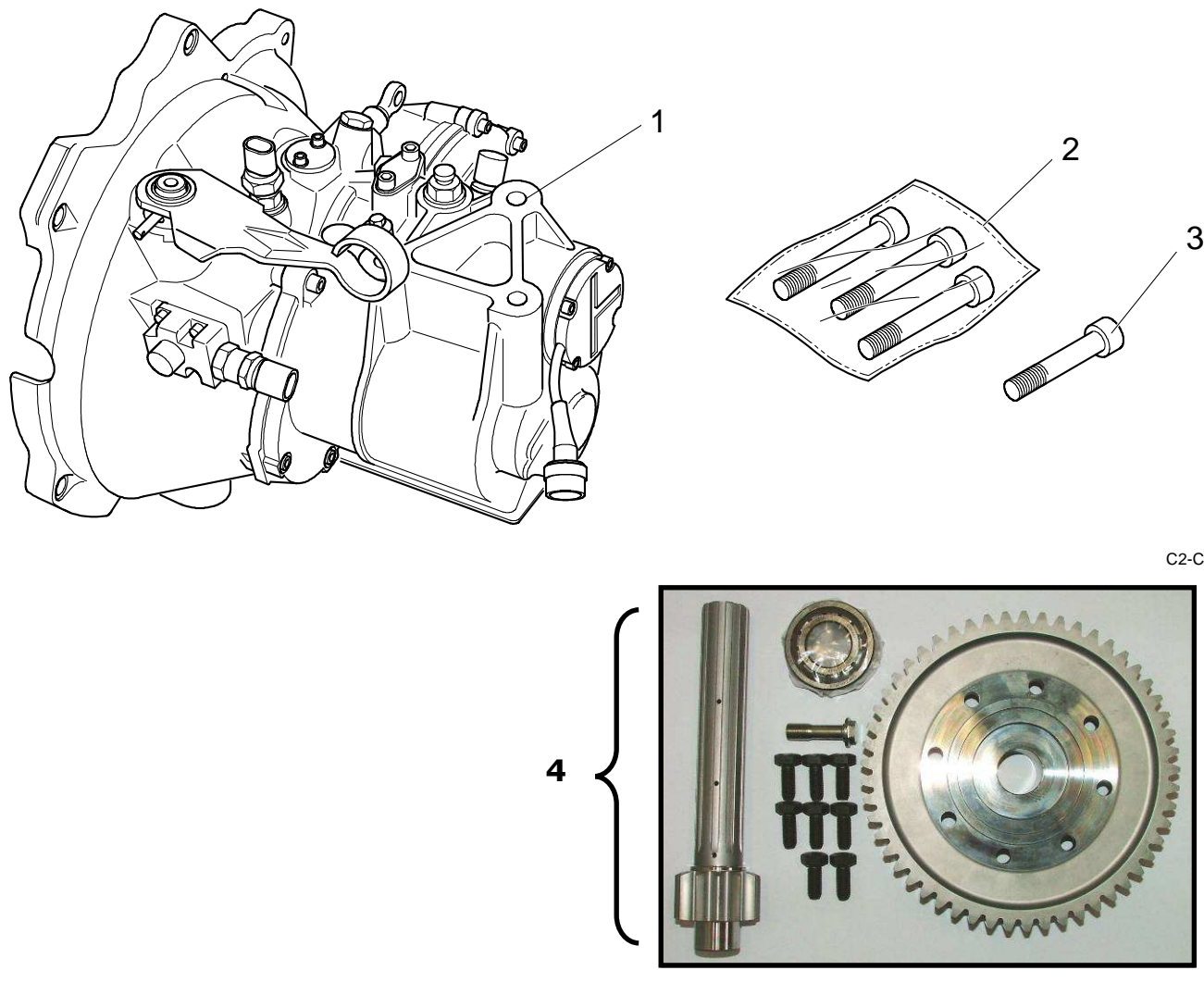


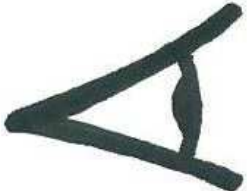




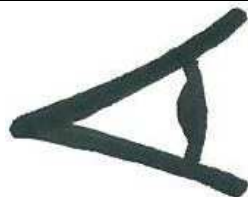
C23 : GEARBOX



REF	PART NUMBER	QTY	DESCRIPTION
1	1C2361425B	1	5 gears sequential gearbox
2	PS82145A10	3	M10 L55 Alen screw
3	PS82095A10	1	M10 L40 Alen screw
4	CPL12539019011	1	12 x 53 final drive kit
5			
6			
7			
8			
9			
10			
11			
12			
13			
14			
15			

GEARBOX ASSEMBLY

	<p>Apply some copper grease on splines of the transmission input shaft.</p>	<p>Copper grease</p>
	<p>!!! Apply some copper grease on the gearbox release bearing, and on the release bearing guide !!!</p> <p>Let play the clutch fork 3 or 4 times.</p>	<p>Copper grease</p>
	<p>Assembly all locatings on the gearbox body.</p>	
	<p>Apply some copper grease on all gearbox screws (<i>ref 2 and 3, on page 3</i>)</p>	<p>Copper grease</p>
	<p>Gearbox screws torque</p>	<p>6.5 m.kg</p>



CITROËN Sport and SADEV suggest to use « TOTAL BV 75W90 Transmission H50168B oil ».

You can order it at CITROËN Sport shop, under the following part number : **1C2340626B**

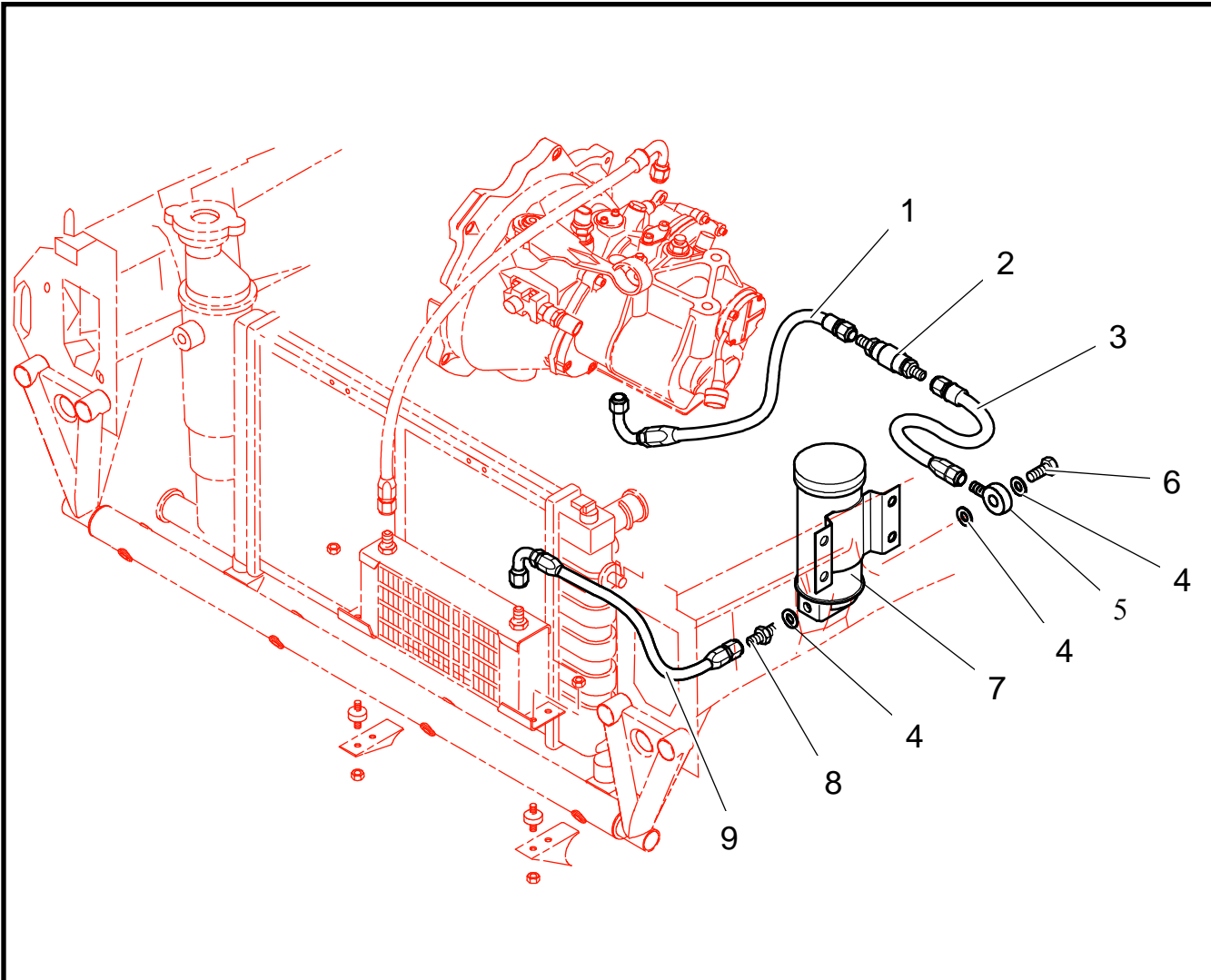
Capacity :

Tarmac (without gearbox oil cooling system) : **1.2L** if the gearbox is brand new or rebuilt
1L after a oil change.

Grave (with gearbox oil cooling system) : **1.4L** if the gearbox and cooling circuit are brand new.

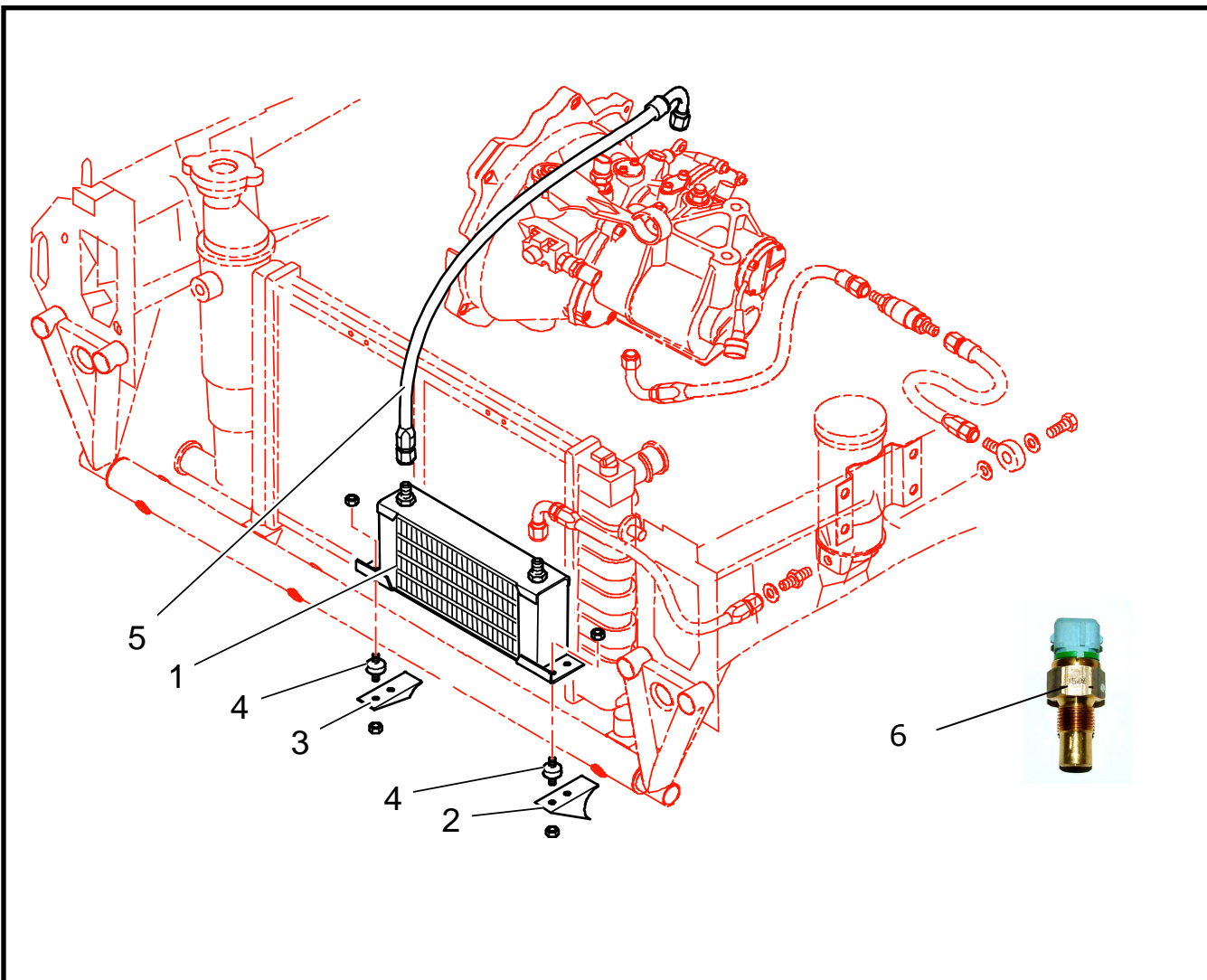
1L after a oil change.

C23 : GEARBOX (Gravel option)



REF	PART NUMBER	QTY	DESCRIPTION
1	1C2342063A	1	Gearbox to oil filter hose
2	1C2329683A	1	Gearbox oil filter
3	1C2340821B	1	Filter to pump hose
4	PS81550A10	3	Copper seal
5	PS73502A10	1	Ø16 / Dash 6 banjo adaptator
6	1C2342065A	1	Banjo M16 x 15 screw
7	1C2327049B	1	Gearbox oil pump
8	PS77721A10	1	Dash 6 / M16 x 150 adaptator
9	1C2340822	1	Pump to radiator hose
10			
11			
12			
13			
14			
15			

C23 : GEARBOX (Gravel Option)



REF	PART NUMBER	QTY	DESCRIPTION
1	1C2340820B	1	Gearbox oil radiator
2	2K3D61428B	1	Left radiator T square
3	2K3D61429C	1	Right radiator T square
4	PS93510A10	2	Radiator silent block
5	1C2340823C	1	Radiator to pump hose
6	BCSP113178	1	14 x 125 temperature sending unit
7			
8			
9			
10			
11			
12			
13			
14			
15			

GEARBOX COOLING ASSEMBLY



Fit the oil pump on the left chassis frame, with 4 « Rivkle » dia 6mm.

**1 m.kg +
Loctite 242**

!!!

All aeroquip adaptators (not on conic side)

Loctite 547

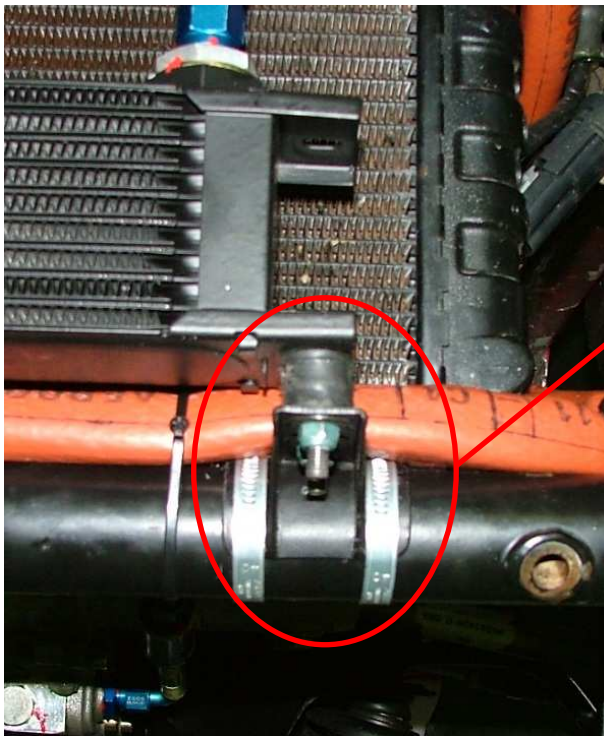


Banjo adaptor (ref 6 on page 8) screw

1 m.kg +
Loctite **547**

A

Oil gearbox radiator fitting :



Both radiator T squares are fitted on the bottom crossmember with 2 spring clips for each.