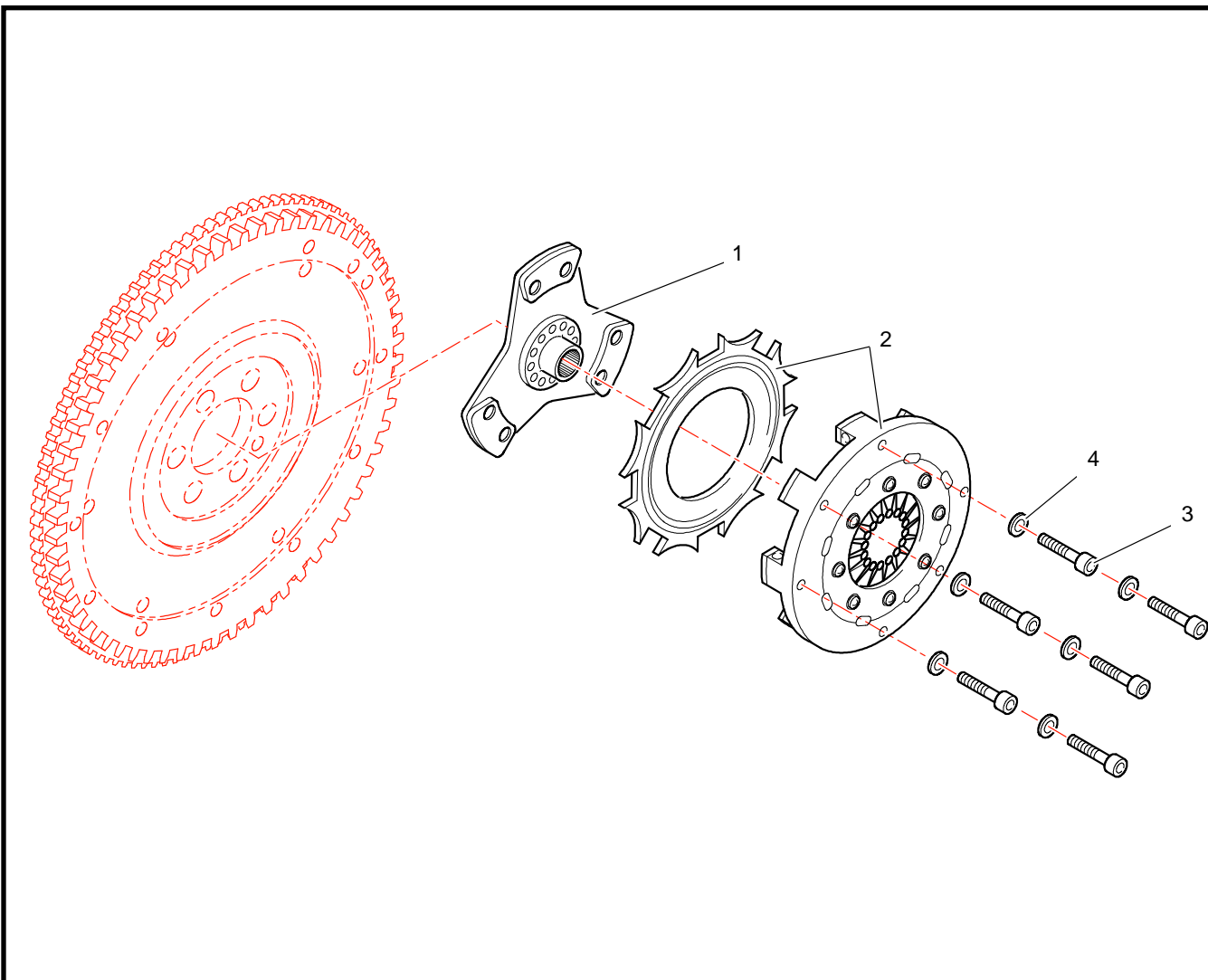


*Chapter C :*

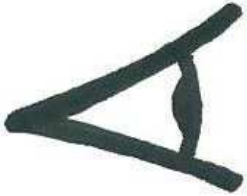

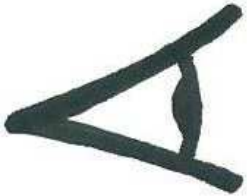

***DRIVE TRAIN***

**C11 : CLUTCH**



REF	PART NUMBER	QTY	DESCRIPTION
1	1C1162555A	1	Clutch plate AP Ø184 mm
2	1C1143317A	1	Clutch cover AP Ø184 mm
3	PS82010A10	6	M8x125 L40 CI12.9 alen screw
4	PS86009A10	6	Ø8 Onduflex A washer
5			
6			
7			
8			
9			
10			
11			
12			
13			
14			
15			

**CLUTCH ASSEMBLY**

	<p>Pay attention to the side of the drive plate !!!</p> <div style="text-align: center;"> <div data-bbox="835 544 1265 627" style="border: 2px solid red; padding: 5px; display: inline-block; color: red; font-weight: bold;">Engine flywheel side</div>    </div> <div data-bbox="1339 427 1637 967" style="float: right;"> </div>	
	<p>Pay attention that paint marks (for the balance) on both parts of the clutch cover are facing each other.</p>	
	<p>Clutch screws torque.</p> <p style="text-align: center; color: red; font-weight: bold;">!!! Each screw needs to be changed after 3 torques !!!</p>	<p><b>3.2 m.kg + Loctite 242</b></p>