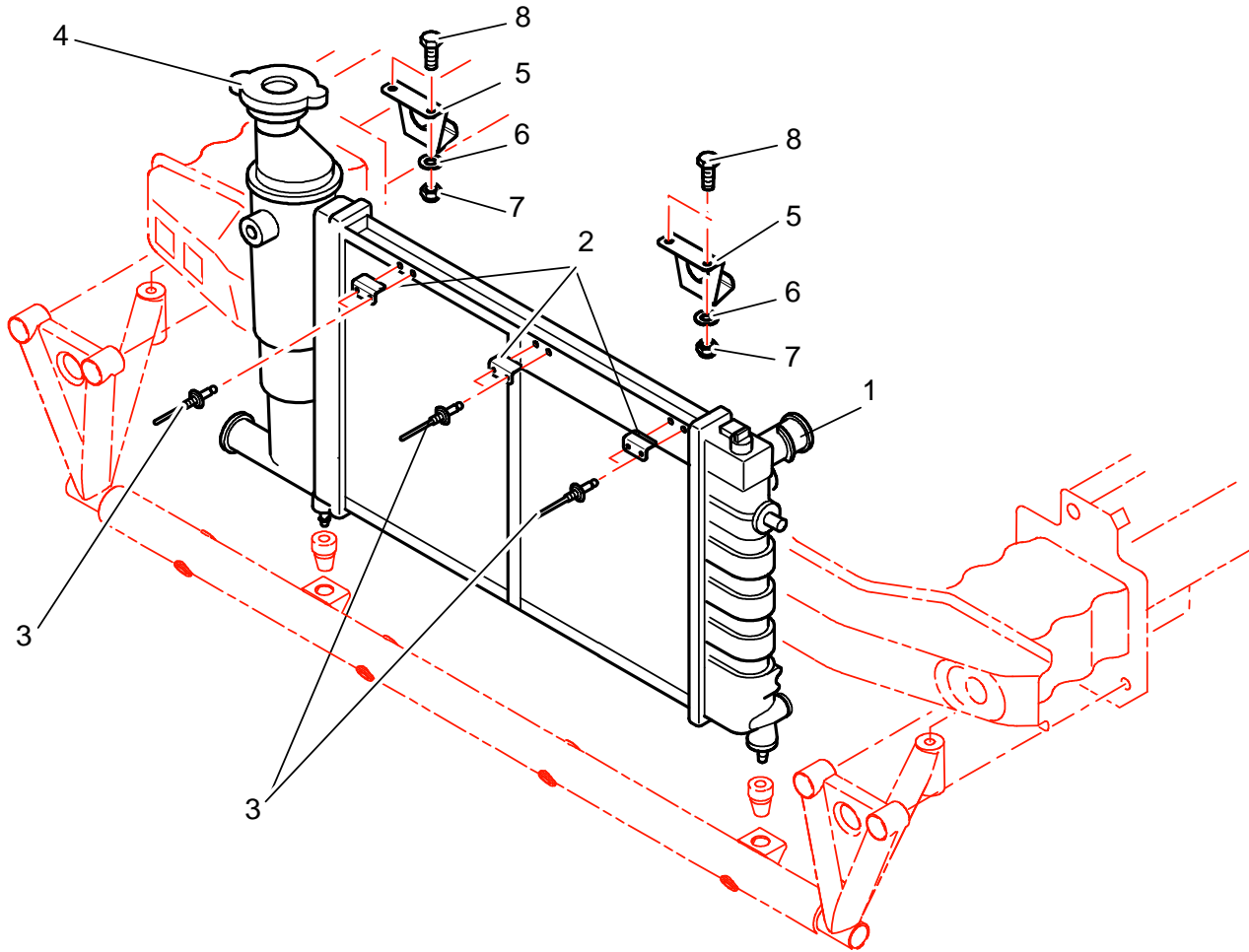


*Chapter B :*

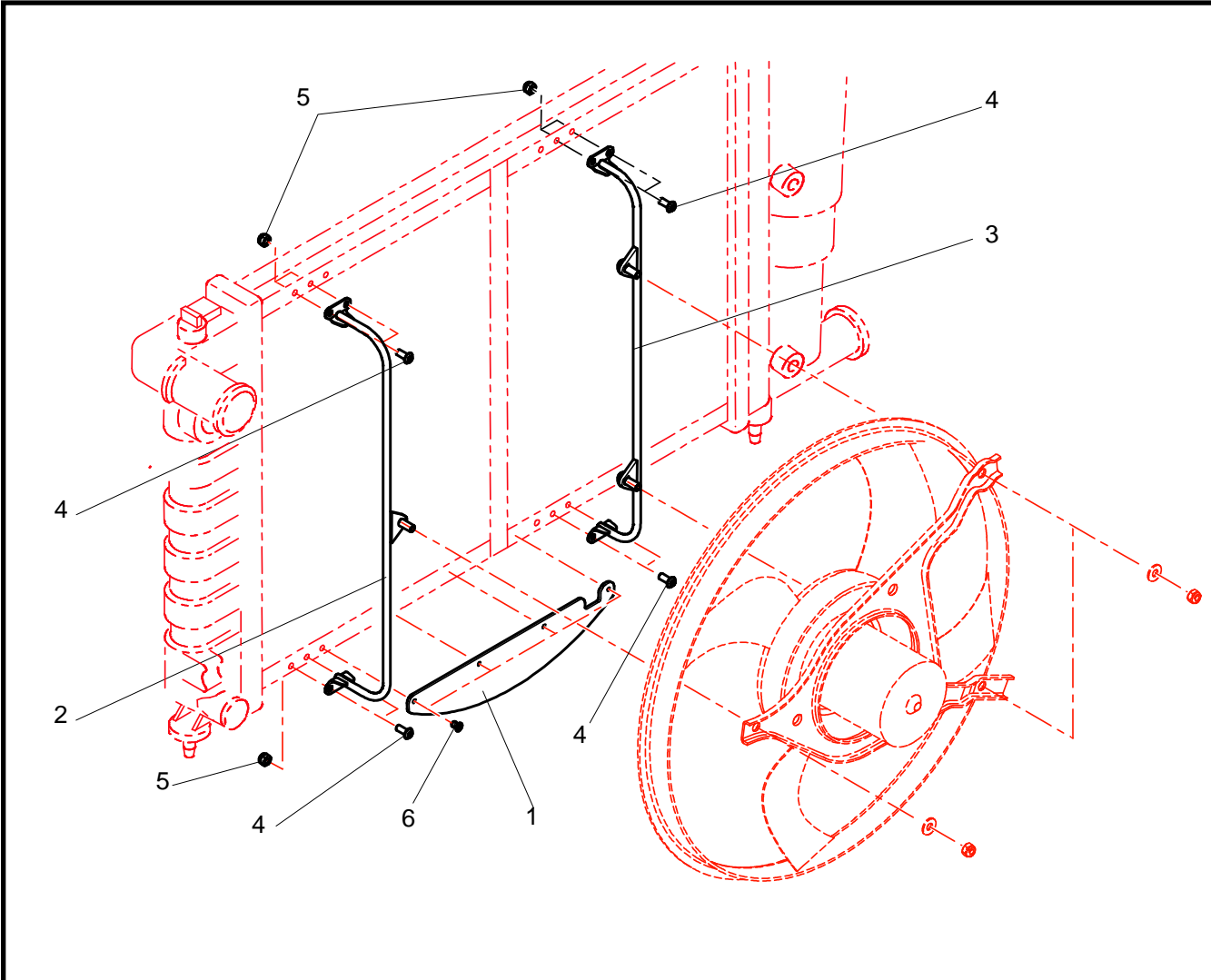
**COOLING**

**B12 : COOLING**



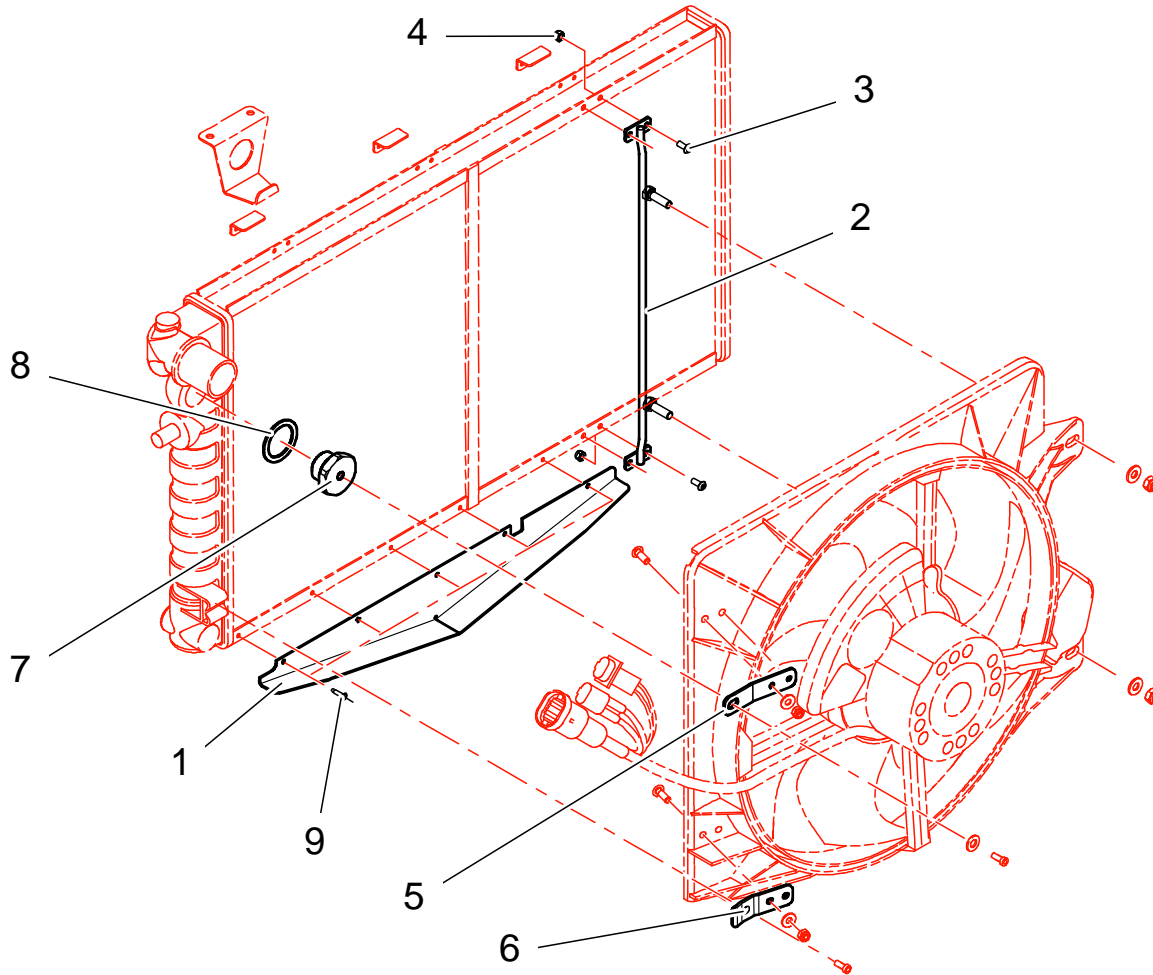
REF	PART NUMBER	QTY	DESCRIPTION
1	0B1206563A	1	Water radiator
2	0B1261169C	3	Airbox fitting bracket
3	PS92627A10	6	Dia 3.2 x 8 alloy rivet
4	BCSP1306C7	1	Radiator cap
5	0B1261170C	2	Water radiator top fitting bracket
6	BCSP694929	4	D5x16x1.5 washer
7	BCSP693673	4	M5 self locking nut
8	CS550023ST	4	H D5 L15 screw
9			
10			
11			
12			
13			
14			
15			

**B12 : COOLING FOR GT**



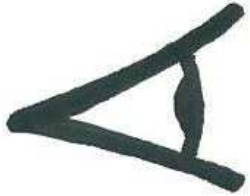
REF	PART NUMBER	QTY	DESCRIPTION
1	0B1261344A	1	Fan sealing duct
2	0B1261342A	1	Fan left link
3	0B1261343A	1	Fan right link
4	CS570030ST	8	M4 L10 uls screw
5	PS74077A10	8	M4 self locking nut
6	PS92627A10	4	D3.2 L8 aluminium rivet
7			
8			
9			
10			
11			
12			
13			
14			
15			

**B12 : COOLING FOR VTS**



REF	PART NUMBER	QTY	DESCRIPTION
1	0B1261390A	1	Fan sealing duct
2	0B1261384A	1	Fan link
3	CS570030ST	4	M4 L10 ULS screw
4	PS74052A10	4	Self locking M4 nut
5	0B1261387A	1	Fan top bracket
6	0B1261388A	1	Fan low bracket
7	0B1261389A	1	Radiator cap
8	BCSP016456	1	Radiator cap seal
9	PS92627A10	5	D 3.2 L8 aluminium rivet
10			
11			
12			
13			
14			
15			

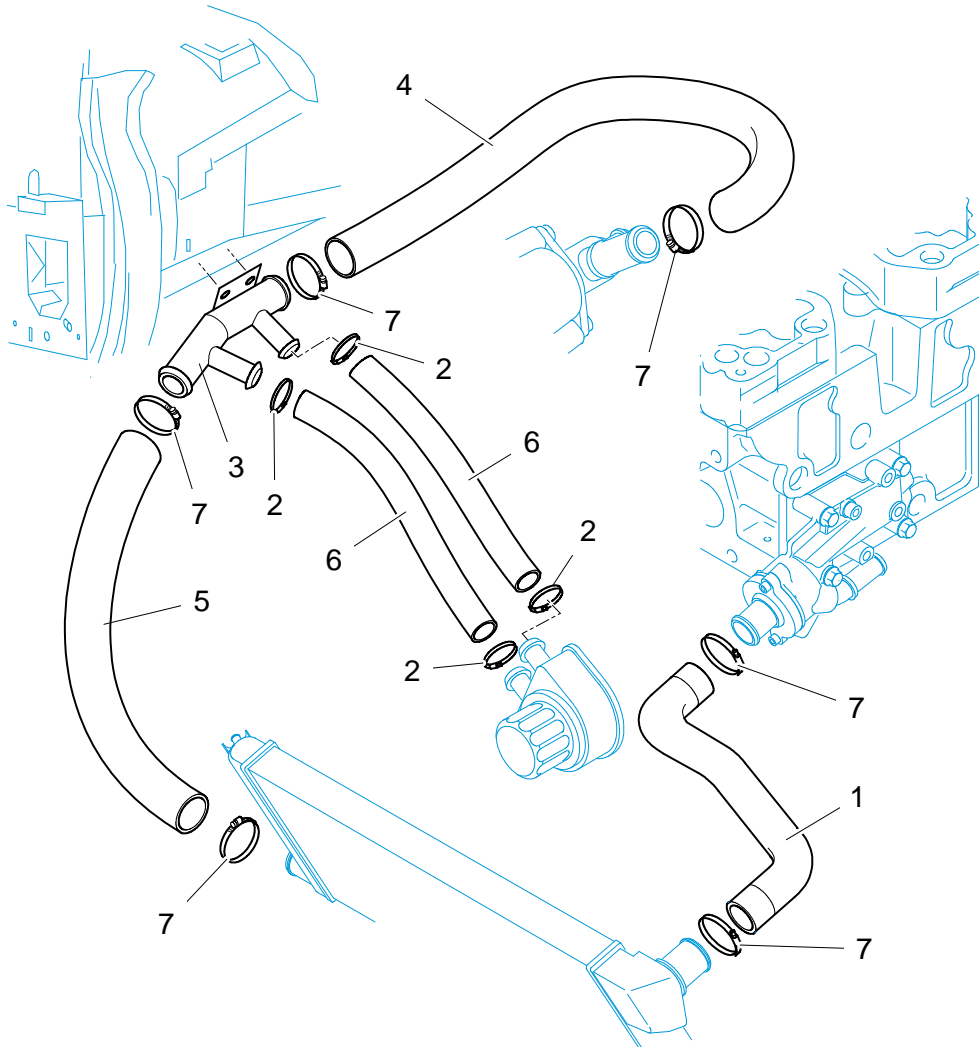
**FAN ASSEMBLY**



Pay attention that fan housing is not so far to the water radiator, it means that the gap between the radiator and the fan housing has to be short.

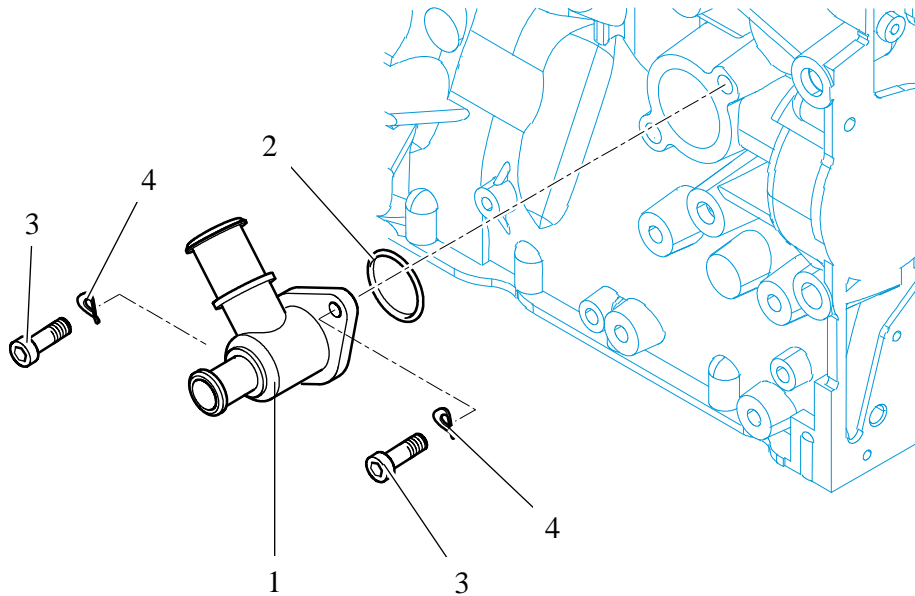
Don't hesitate to apply some foam (or to seal with aluminium tape) between the radiator and the fan housing, for a better efficacy of the fan and the cooling.

**B12 : COOLING**





REF	PART NUMBER	QTY	DESCRIPTION
1	BCSP1343HW	1	Radiator / block connecting hose
2	BCSP6981H7	4	Collar Ø16-27
3	0B1263305A	1	Oil cooler junction water tube
4	0B1263306A	1	Engine water inlet hose
5	0B1263307A	1	Water radiator water outlet hose
6	0B1263309A	2	Oil cooler water outlet hose
7	BCSP6981K3	6	Norma collar Ø30-45
8			
9			
10			
11			
12			
13			
14			
15			

**B12 : COOLING**



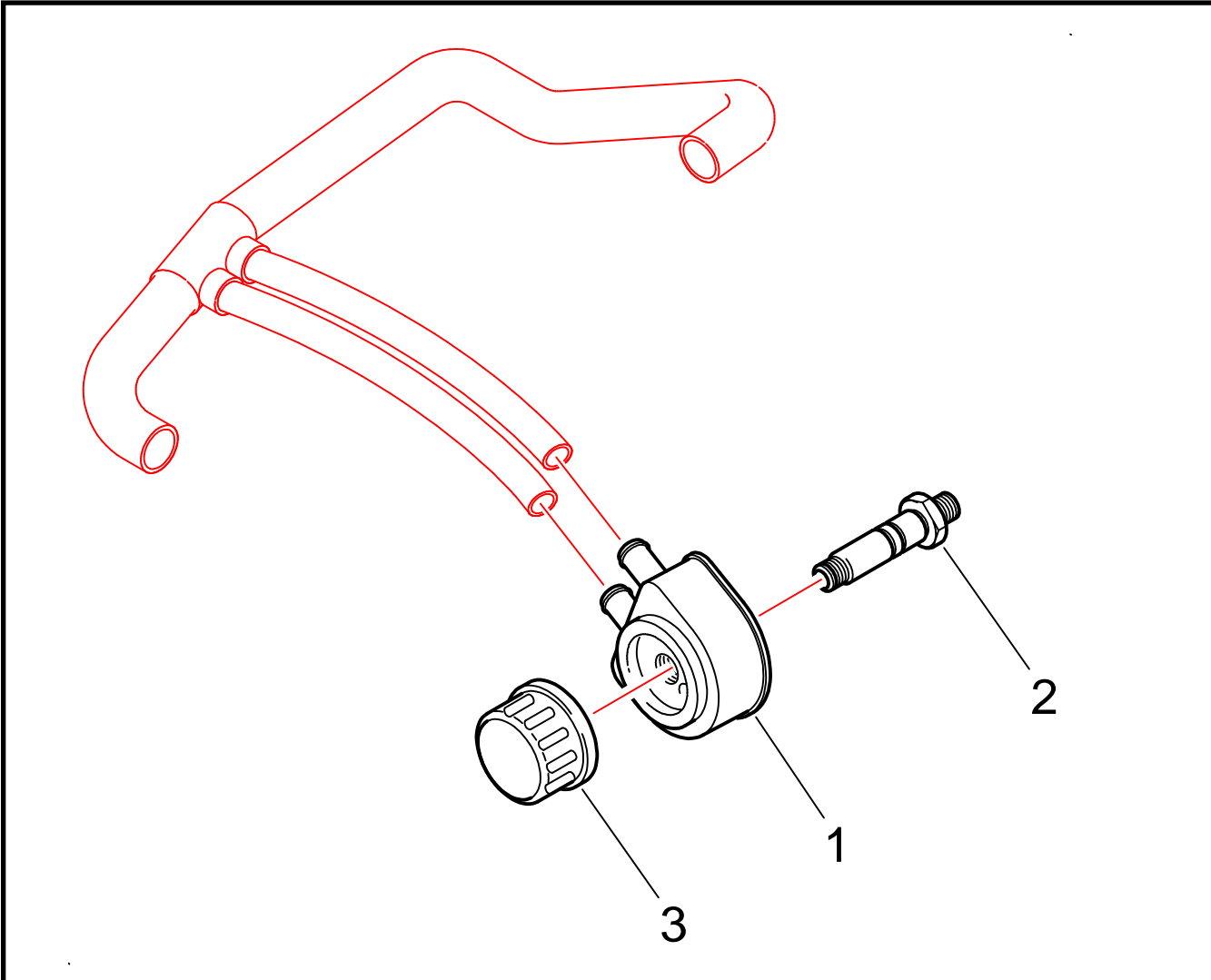
REF	PART NUMBER	QTY	DESCRIPTION
1	BCSP 1201C3	1	Engine water inlet manifold
2	BCSP120698	1	Seal, water pipe on block O-ring Ø37 T2.6
3	BCSP691310	2	Mounting screw, water pipe on block
4	BCSP696204	2	Onduflex washer for screw
5			
6			
7			
8			
9			
10			
11			
12			
13			
14			
15			

**WATER PIPE AND WATER PUMP ASSEMBLY**

	Water pipe on cylinder block screws torque	<b>1 m.kg + Loctite 242</b>
	Water pump screws torque	<b>2 m.kg + Loctite 242</b>



**B12 : COOLING**



REF	PART NUMBER	QTY	DESCRIPTION
1	BCSP1103A9	1	Engine oil cooler
2	BCSP1103C3	1	Engine oil cooler adaptor
3	BCSP1109N3	1	LS 867B Oil Filter
4			
5			
6			
7			
8			
9			
10			
11			
12			
13			
14			
15			

**OIL COOLER ASSEMBLY**



Engine oil cooler adaptator torque

**7 m.kg + Loctite  
242**



**Oil change has to be done every day off the event.**

**Change the oil filter in the same time.**