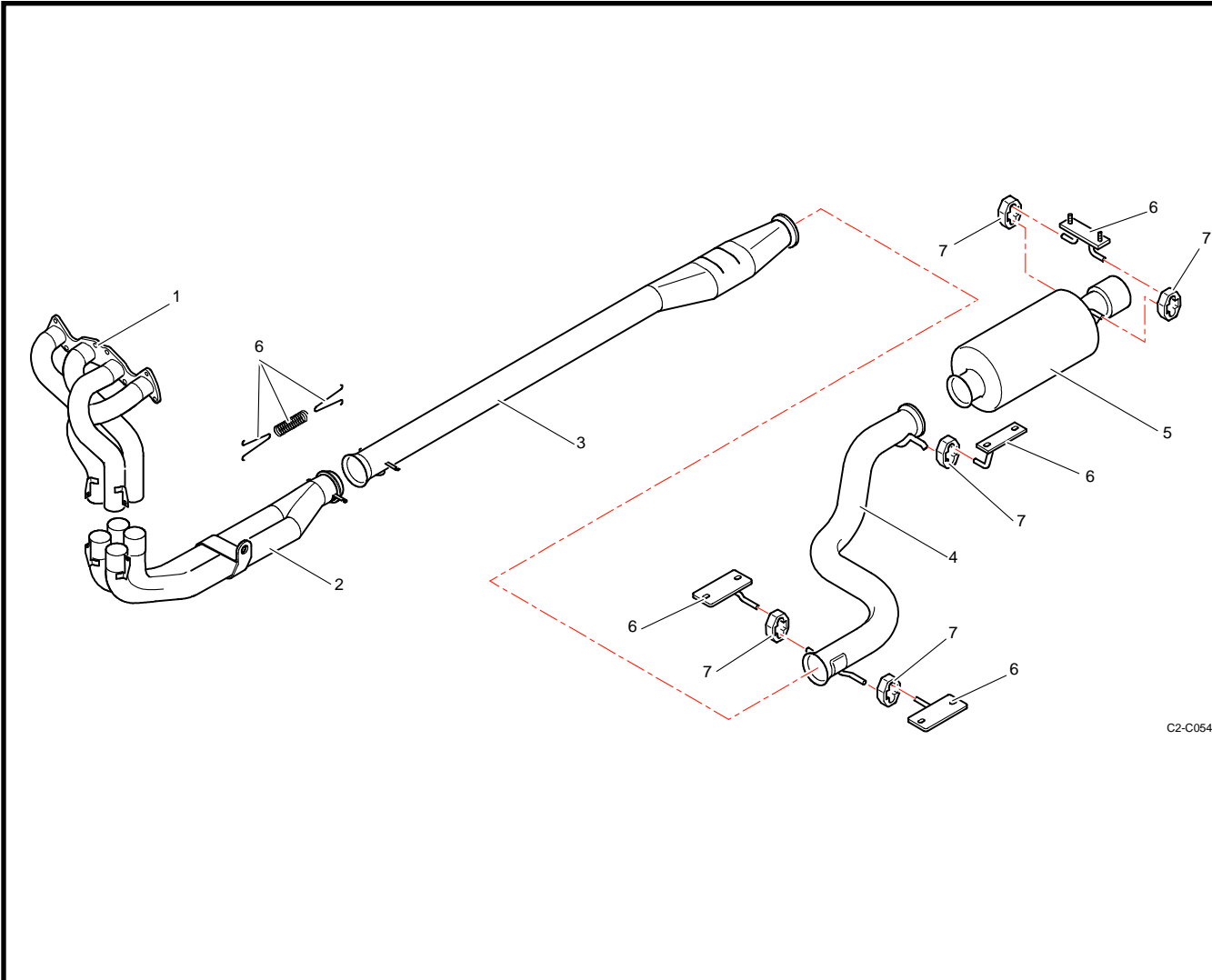


A41 : EXHAUST LINE



REF	PART NUMBER	QTY	DESCRIPTION
1	0A4161192A	1	Exhaust manifold, part 1
2	0A4161193A	1	Exhaust manifold, part 2
3	0B2161194A	1	Catalyst converter
4	0B2161195A	1	Rear exhaust tube
5	0B2161196A	1	Silencer
6	0B2161197A	1	Exhaust assembly kit
7	BCSP1755E9	5	Exhaust silent block
8			
9			
10			
11			
12			
13			
14			
15			

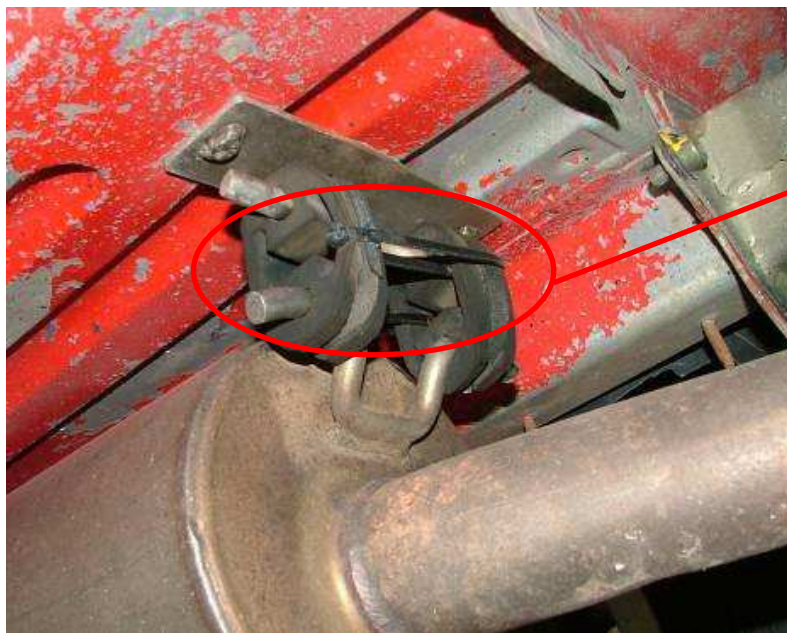
EXHAUST LINE ASSEMBLY



Exhaust manifold nuts torque

2 m.kg

!!!



Tie up both silent blocks with a Rilsan or with a spring clips.

Do the same thing for the rear exhaust pipe, rep 4.